

# P R E F A C E

1. This Parts Catalog carries Yanmar crawler back-hoe Vio70-2.

2. Parts catalog history

	Parts catalog NO.	Published	Remarks
1st edition	000Y00K3800	2001/11	Disuse old edition
1st revised	000Y00K3801	2003/ 3	

3. Model name

SECTION	Column	Model name	Manufactured	M/#
I (Vehicle)	(A)	Vio70-2 C(JP)	2001/7~	20501~
	(B)	Vio70-2 P(JP)		
	(C)	Vio70-2 C(EX)		
II (Engine)	(A)	4TNE98-EBVA	2001/6~	13397~

(Note) C:Cabin spec. , P:Canopy spec. , R:Rubber crawler, JP:Japan, EX:Export except Europe.

4. Your understanding is asking that this parts catalog is not a technical data manual setting forth as servicing procedures, This parts catalog is using simplified illustration. Be sure to use Yanmar Genuine Parts in your maintenance servicing of Yanmar products. Be careful not to use the simple parts available in the market, otherwise their use in repairing causes such as an early breakage, for instance.

## How to read this Parts Catalog.

1. Parts mentioned in Parts Catalog may not necessarily be standard equipping parts
2. Parts change may be made without prior notice.
3. Form of this Parts Catalog.

REF.	LEV.	PARTS	DESCRIPTION	QTY						I	R
				(A)	(B)	(C)	(D)	(E)	(F)		
1		729595-51390	FUEL INJECTION PUMP	1	1	1	1	1	1		
1 - 1	1	729595-51391	FUEL INJECTION PUMP	1	1	1	1	1	1	N	1
		(A=E00185) (B=E00200)									
3	2	26022-060162	SCREW M 6X16	9	9	9	9	9	9		
1 3 - 1	2	26022-060162	SCREW M 6X16	4	4	4	4	4	4		K
		(A=E00156) (B=E00156) (C=E00156) (D=E00156) (E=E00156)									
4	2	129470-51040	CAMSHFT	9	9	9	9	9	9		
5	2	122710-51050	BEARING.ROLLER	9	9	9	9	9	9		
6	2	129470-51060	RETAINER	9	9	9	9	9	9		

Remarks
(1) BOOST COMPEMSATOR TYPE. OPTIONAL PART. TO E/#00155 (4JH - DT, 4JH - DTZ)

### Ref. No.

The Ref. No. in the list may not be in accordance with the Ref. No. on illustration.

(Ex.) illustration No, List heed No,

1 1 (Before change) → 1-1 (After change)

When interchangeable symbol N, and k, illustrations for the new parts are sometimes omitted.

### Lev. (Level)

Indication and Meaning of Level

Level Hereunder is given the relation among the number of number (1,2,3) the level and the nominal parent-child relationship.

1 ----- Parent parts (Assembly parts)

2 ----- Child parts included in " 1 " (Semi-Assembly parts, component parts of Assembly parts.)

3 ----- Child parts included in " 2 ", Grand-child parts in terms of " 1 ".

(Component parts of Semi-Assembly parts.)

Note) A parts of non-sale parts are illustrated but not listed.

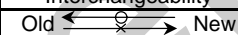
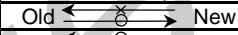


### Change Mark

Change Mark " I " is given to the part for which a design change was made at this time.

The design change was not shown in the last published Parts Catalog.

### Interchangeability Mark

In the case where a part change took place, one of the following interchangeability marks is indicated for that part

Symbol	Interchangeability	Contents note
N	Old ←  New	New Part is interchangeable for Old Part but not interchangeable conversely.
Q	Old ←  New	New Part is not interchangeable for Old Part but interchangeable conversely.
R	Old ←  New	New Part is interchangeable for Old Part and vice versa.
S	Old ←  New	New Part is not interchangeable for Old Part and vice versa.
W		Part newly added.
Z		Part discontinued.
F		Not interchangeable single part but interchangeable by set of the related parts.
K		Changed only in quantity used.

### ⑤ Effective Machine No.

When a part is changed, Effective Machine No. of a Model for which the part is applicable is indication

In each column of (A)-(F).

Product Symbol	Product No.	Product Symbol	Product No.
C	Clutch No, Compressor No,	M	Machine No,
D	Drive No,	T	Tractor No,
E	Engine No,	Note 1)※	Date

Note 1) Date may follow the symbol in some cases.(Ex.) ※1996.01

Note 2) As far as engine models shown by " XXX " are concerned, the modification of the parts could not be Predicted or the engine models themselves could not be identified.

Note 3) (A=E/#00185) means that the design change on the part has been effective for the model at the, column (A) (in the case, for 4JH-DT) on and from E/#(Engine Serial Number) 00185

### Remarks Mark

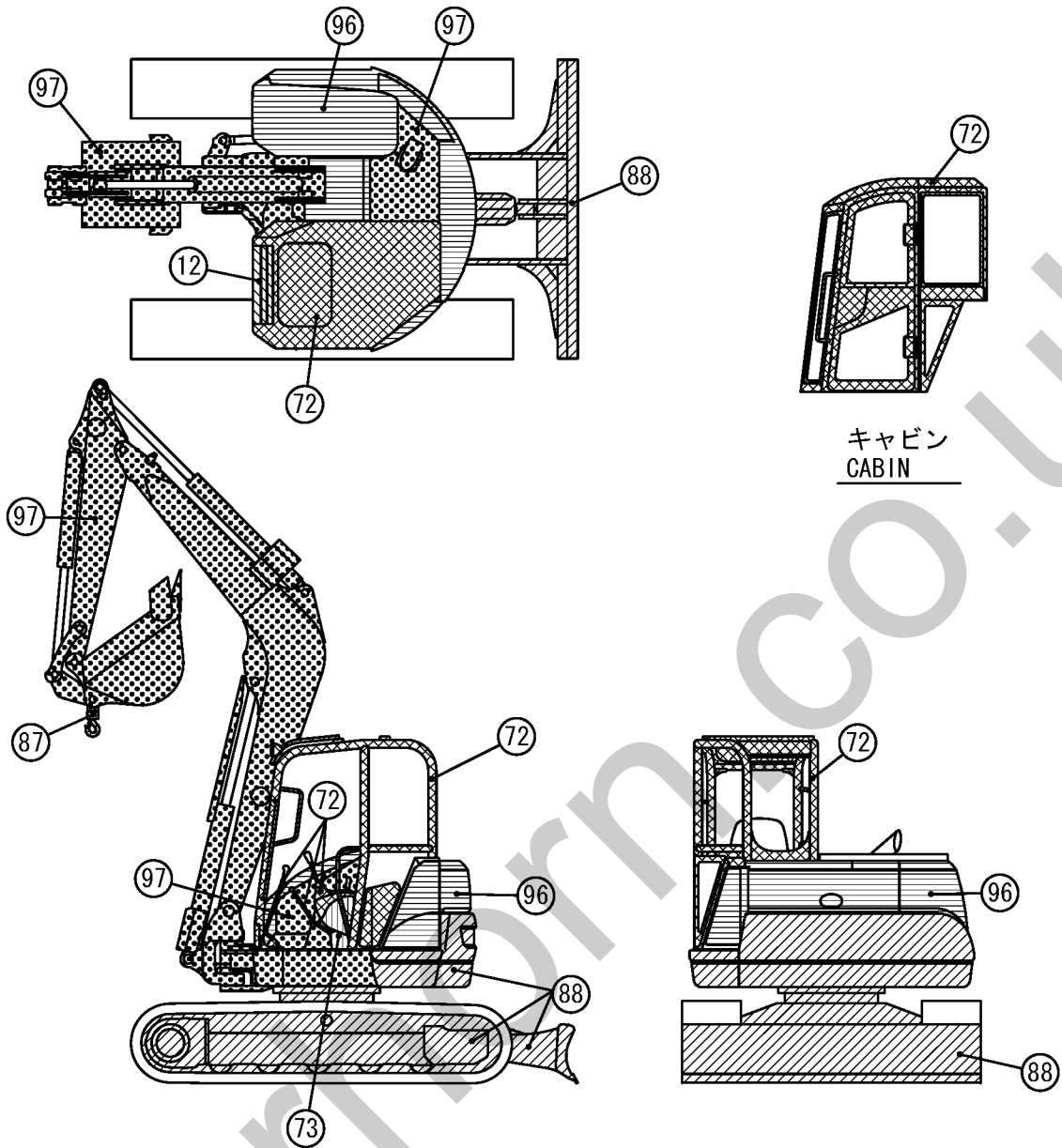
Figures of alphabets (Symbols) are entered in the remark column.

The comments (remarks) on the pertinent parts are indicated in the lower part of the list by the same symbols a those stated above.

## SPECIFICATIONS

Name		YANMAR CRAWLER BACKHOE			
Model		Vio70-2			
Specification		Iron crawler		Rubber crawler	
		Canopy	Cabin	Canopy	Cabin
Engine	Model	4TNE98-EBVA			
	Bore X Stroke	98 X 110			
Dimensions	Transport length	mm	6210		
	Transport width	mm	2270		
	Tracsport height	mm	2630		
Std.bucket capacity		m <sup>3</sup>	0.28		
Std.bucket width (Outside)		mm	750		
Max.digging depth		mm	4200 (W/BLADE 4400)		
Max.cutting height		mm	7050		
Max.dump height		mm	4920		
Max.reach at ground level		mm	6740		
Min.swing radius (Swing)		mm	2120 (1700)		
Boom swing angle		degree	Left 68 · Right 68		
Max.digging force (Std.bucket)		kN (kgf)	54.8 (5590)		
Travel speed (High/Low)		km/h	4.5/2.5	4.7/2.7	
Swing speed		min <sup>-1</sup> (rpm)	10		
Average ground pressure		kPa (kgf/cm <sup>2</sup> )	32.8 (0.334)	33.2 (0.339)	32.4 (0.331) 32.9 (0.335)
Track shoe width (Std.)		mm	450		
Blade	Width X height	mm	2270 X 460		
	Raise (Up/Down)	mm	460/400		
Machine mass		kg	7500	7600	7450 7550
Battery		130E41R-MF/12V, 92Ah (5Hr)			

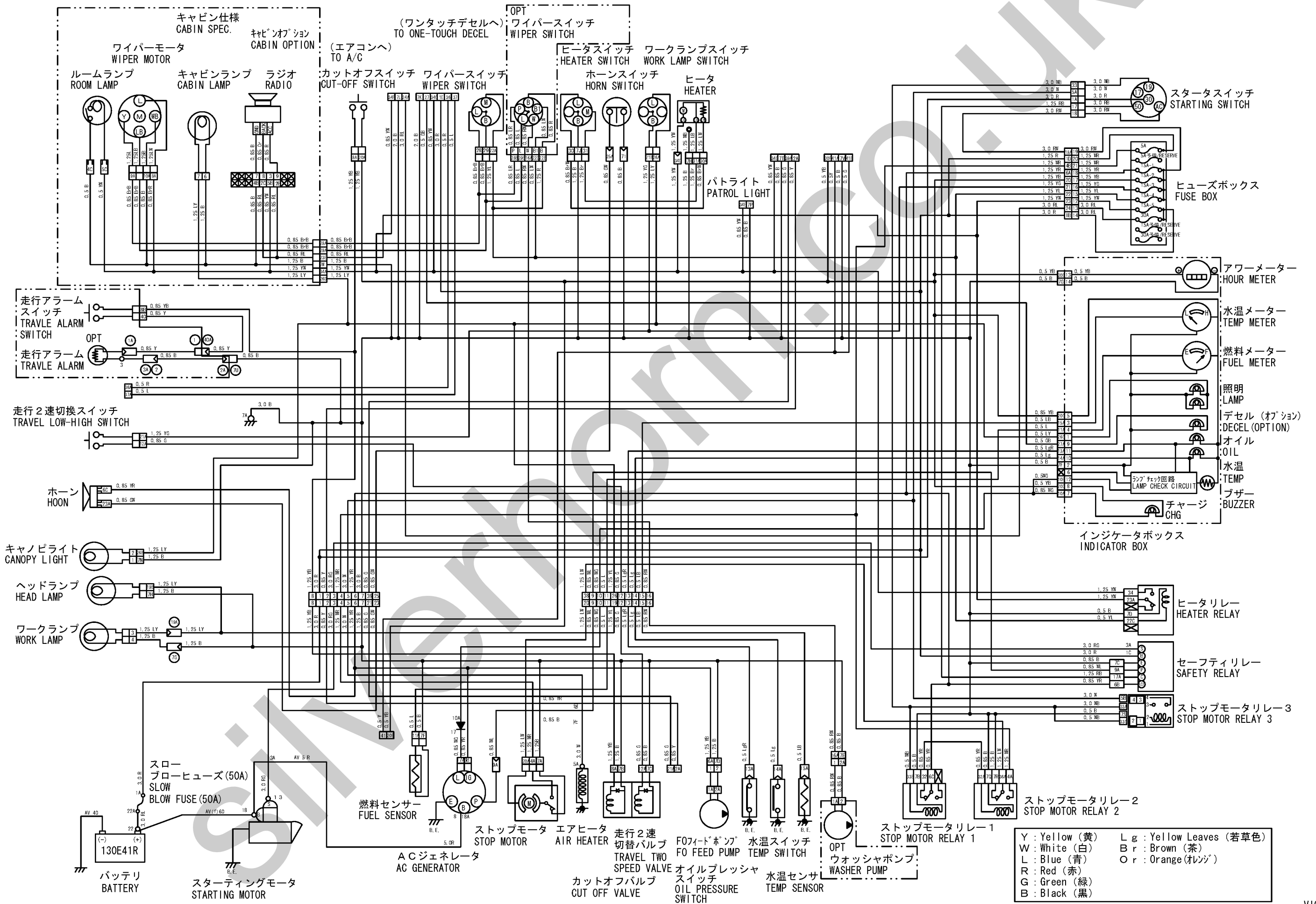
# 本機塗装色 VEHICLE PAINTED COLOR



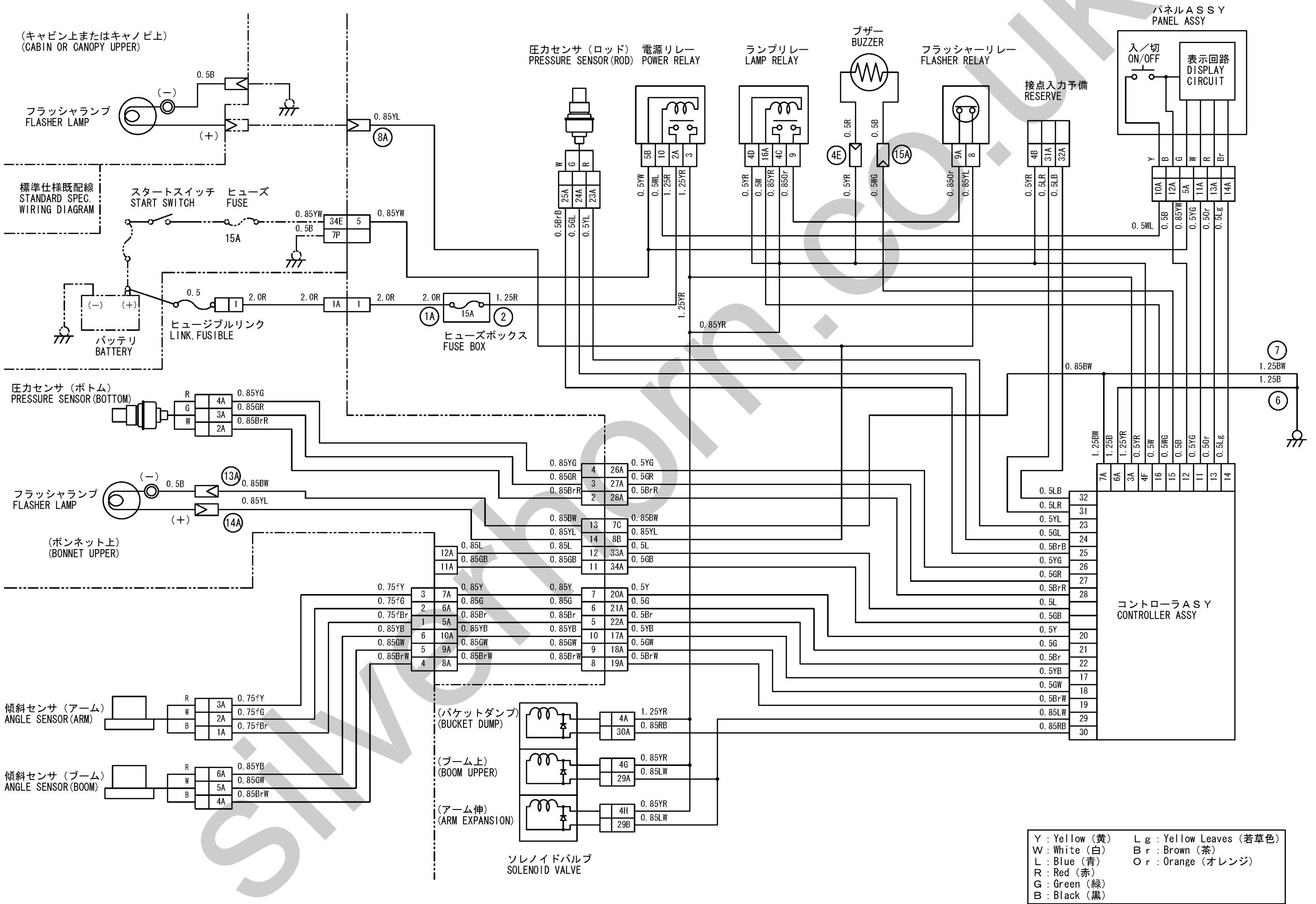
キャビン  
CABIN

色区分 Color Code	表示 Desc- ription	塗装色 Painted Color	マンセル記号 Munsel No.	塗料部品番号 (Paint Part No.)		
				16L缶 (16L Can)	4L缶 (4L Can)	スプレー (SPRAY)
⑨7		ヤンマーピーコックグリーン YANMAR Peacock Green	2. 99B65. 27/9. 28	981101-09597	977620-40970	977620-30971
⑨6		ヤンマーシトラスグリーン YANMAR Citrus Green	4. 97GY8. 35/6. 87	981101-09599	977620-40990	977620-30991
⑧8		ヤンマー新ディーブグリーン YANMAR New Deep Green	0. 37B1. 99/4. 42	981101-09588	977620-40880	977620-30881
⑦3		ヤンマーワームグレー YANMAR Warm Gray	5. 52Y4. 91/1. 09	-----	-----	TOR-90450003
⑦2		ヤンマーダークオリーブグレー YANMAR Dark Olive Gray	7. 21Y2. 92/0. 79	-----	977620-40720	TOR-90460003
⑫		ヤンマーブラック YANMAR Black	4. 90PB0. 08/0. 41	-----	TOR-91220001	TOR-90220003
⑧7		ヤンマー新パーマネントイエロー YANMAR New Permanent Yellow	5. 15Y8. 45/10. 81	981101-09519	977620-40870	977620-30871

# 配線図 WIRING DIAGRAM



# 配線図(クレーン仕様) WIRING DIAGRAM(CRANE SPEC.)



絵目次 ( 1 ) . . . . . 主要部品  
 PICTURESQUE INDEX ( 1 ) . . . . . MAIN PARTS

銘板 Fig. 1~5  
 LABEL  
 安全銘板 Fig. 6~10  
 SAFETY LABEL  
 付属品 Fig. 11  
 ACCESSORY  
 改装キット Fig. 130~137  
 KIT PARTS FOR REMODEL

マフラー Fig. 12  
 MUFFLER  
 エアクリーナ Fig. 13  
 AIR CLEANER  
 エンジンマウント Fig. 16  
 ENGINE MOUNT  
 ラジエータ & サブタンク Fig. 17  
 RADIATOR & SUB TANK  
 ラジエータマウント Fig. 18  
 RADIATOR MOUNT  
 燃料タンク Fig. 19  
 FUEL TANK

燃料パイプ Fig. 20  
 FUEL LINE  
 バッテリ Fig. 21  
 BATTERY  
 ボンネット Fig. 56~59  
 BONNET  
 オイルクーラ Fig. 93  
 LUB. OIL COOLER  
 作動油タンク Fig. 94  
 HYD. OIL PIPING

アームシリンダ Fig. 71, 72  
 ARM CYLINDER  
 ホールドバルブ Fig. 92  
 HOLD VALVE

ブームブラケット Fig. 117  
 BOOM BRACKET

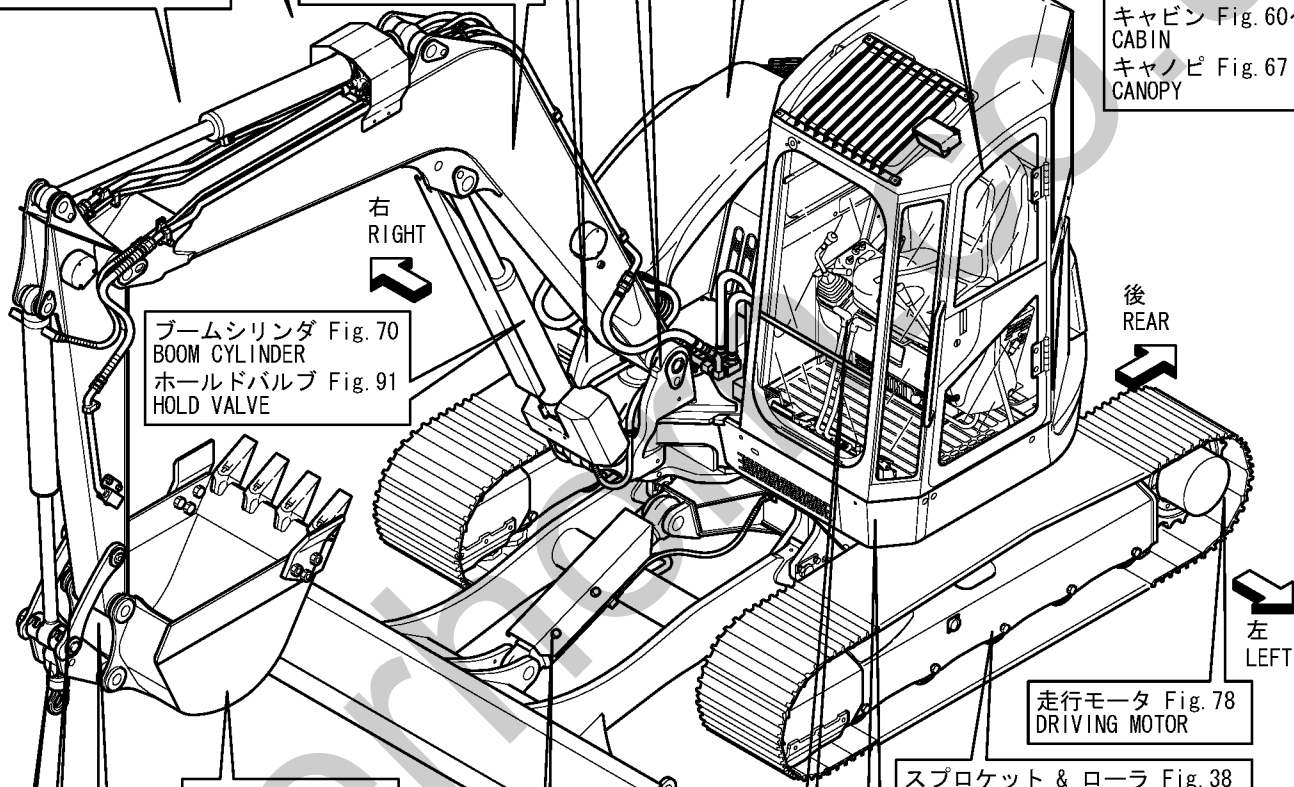
スイングシリンダ Fig. 75  
 SWING CYLINDER

シート & シートマウント Fig. 54, 55  
 SEAT & SEAT MOUNT

油圧配管 Fig. 95~108  
 HYD. OIL PIPING

ブーム Fig. 118, 119  
 BOOM

キャノピライト Fig. 29  
 CANOPY LIGHT  
 キャビン Fig. 60~66  
 CABIN  
 キャノピ Fig. 67  
 CANOPY



ブームシリンダ Fig. 70  
 BOOM CYLINDER  
 ホールドバルブ Fig. 91  
 HOLD VALVE

走行モータ Fig. 78  
 DRIVING MOTOR

バケット Fig. 127  
 BUCKET  
 フック Fig. 128  
 HOOK

スプロケット & ローラ Fig. 38  
 SPROCKET & ROLLER  
 アイドラ & アジャスタ Fig. 39  
 IDLER & ADJUST  
 クローラ Fig. 40  
 CRAWLER

アーム Fig. 120~123  
 ARM  
 バケットアーム & リンク Fig. 124, 125  
 BUCKET ARM & LINK

ブレード Fig. 129  
 BLADE

バケットシリンダ Fig. 73, 74  
 BUCKET CYLINDER

ブレードシリンダ Fig. 76  
 BLADE CYLINDER

電装品 Fig. 22~28  
 ELECTRIC PART  
 コントロールバルブ台 Fig. 48  
 CONTROL VALVE PLATE  
 フレーム & 旋回ベアリング Fig. 49  
 FRAME & TURNING BEARING  
 カバー(フレーム) Fig. 50  
 COVER (FRAME)  
 ステップ & インパネ Fig. 53  
 STEP & INSTRUMENT PANEL  
 油圧ポンプ & 軸継手 Fig. 68, 69  
 HYD. OIL PUMP & JOINT  
 旋回モータ Fig. 79  
 TURNING MOTOR  
 スイベルジョイント Fig. 80  
 SWIVEL JOINT  
 コントロールバルブ Fig. 81~86  
 CONTROL VALVE  
 4ウェイロータリバルブ Fig. 89  
 4-WAY ROTARY VALVE

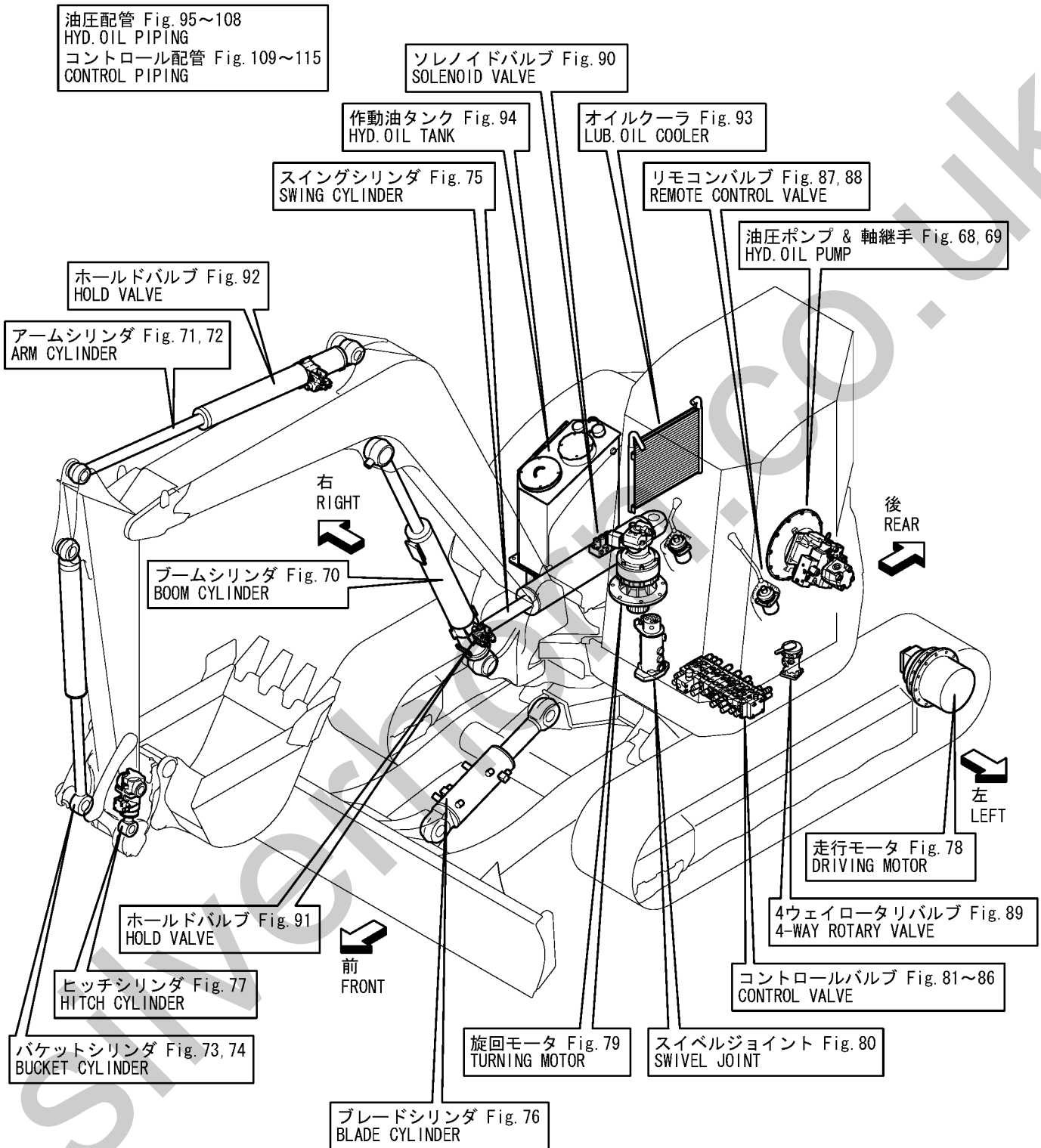
アクセル Fig. 14, 15  
 ACCELERATOR  
 走行アラーム Fig. 30  
 TRAVEL ALARM  
 インジケータボックス Fig. 31  
 INDICATOR BOX  
 ヒータ Fig. 32, 33  
 HEATER  
 エアコン Fig. 34~37  
 AIR CONDITIONER

操縦装置 Fig. 41~47  
 CONTROL EQUIPMENT  
 カバー(操縦廻り) Fig. 51, 52  
 COVER (AROUND THE CONTROL)  
 リモコンバルブ Fig. 87, 88  
 REMOTE CONTROL VALVE  
 コントロール配管 Fig. 109~115  
 CONTROL PIPING

ヒッチシリンダ Fig. 77  
 HITCH CLINDER  
 クイックヒッチ Fig. 126  
 QUICK HITCH

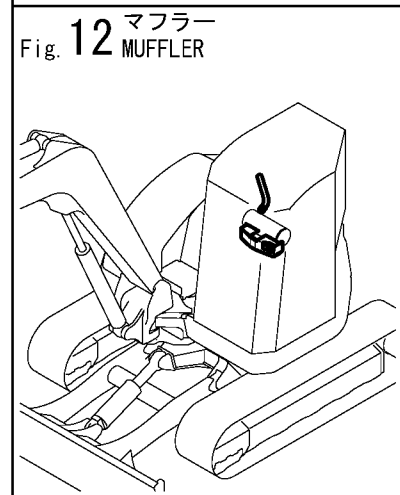
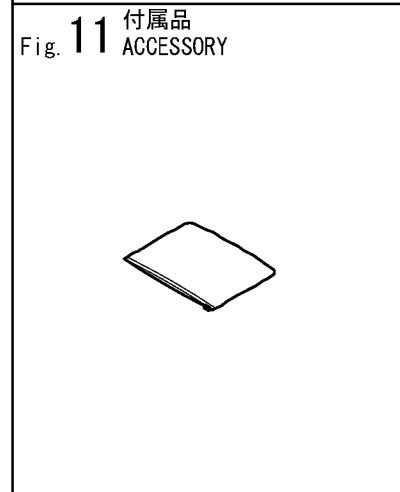
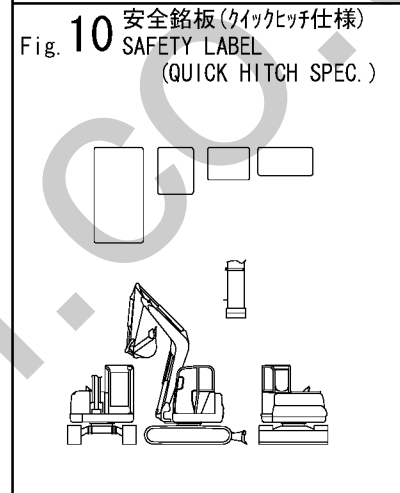
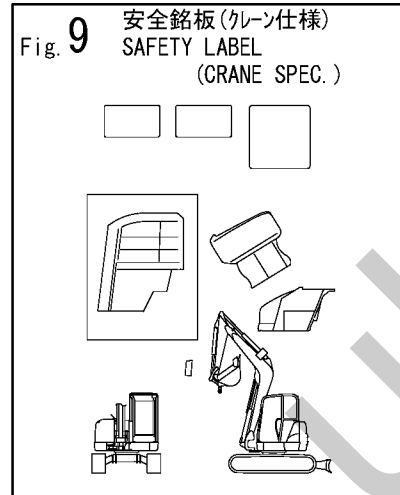
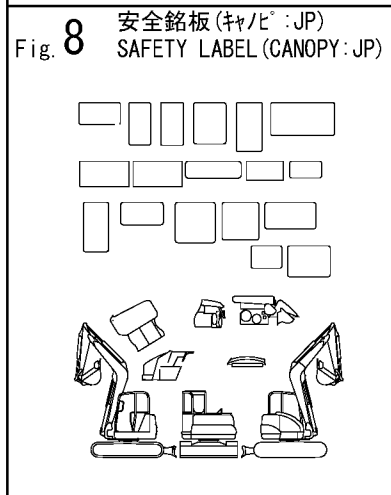
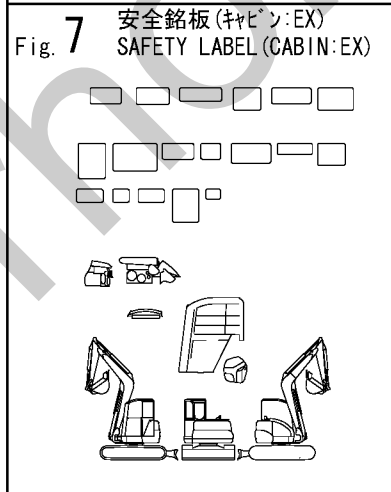
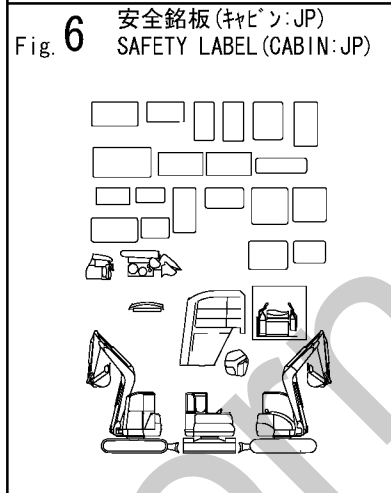
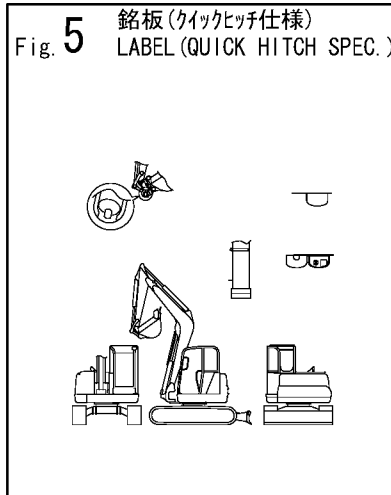
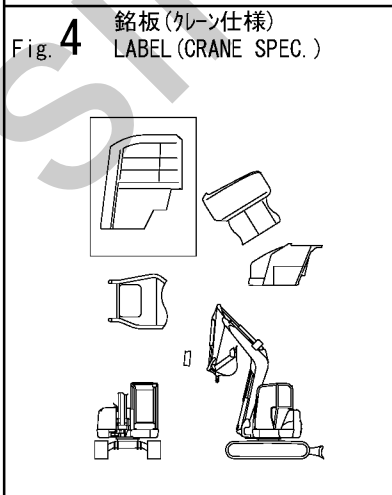
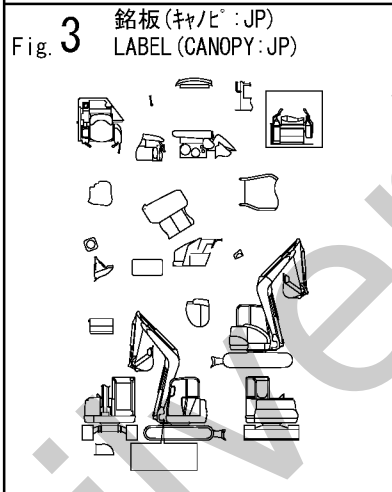
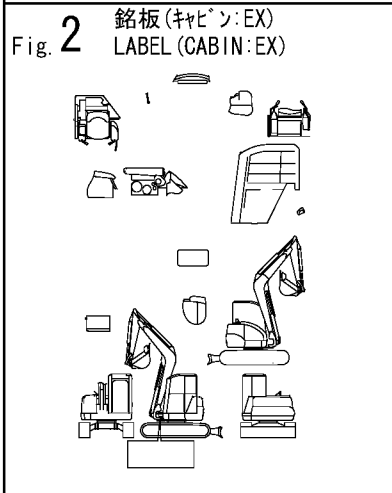
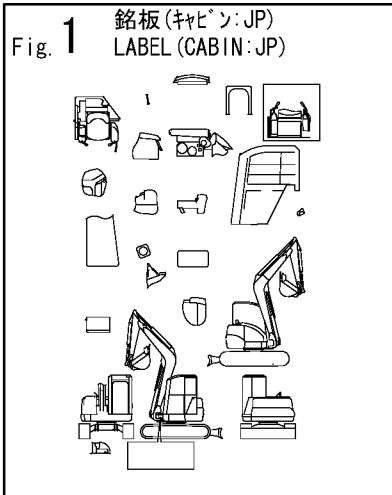
ソレノイドバルブ Fig. 90  
 SOLENOID VALVE  
 遠隔グリーシング Fig. 116  
 GREASING

絵目次 ( 2 ) . . . . . 油圧関係  
 PICTURESQUE INDEX ( 2 ) . . . . . HYDRAULIC SECTION





絵目次 ( 3 ) . . . . . 項目別  
PICTURESQUE INDEX (3) . . . . . FIGURE



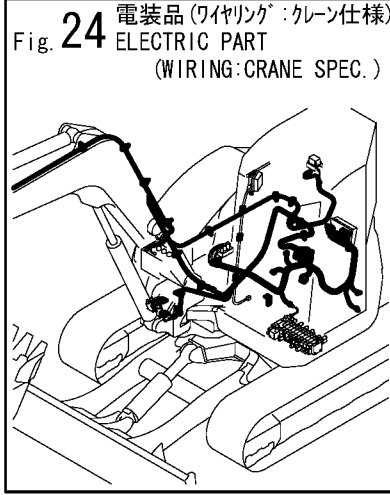
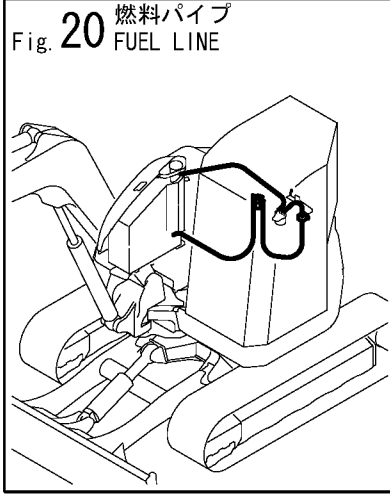
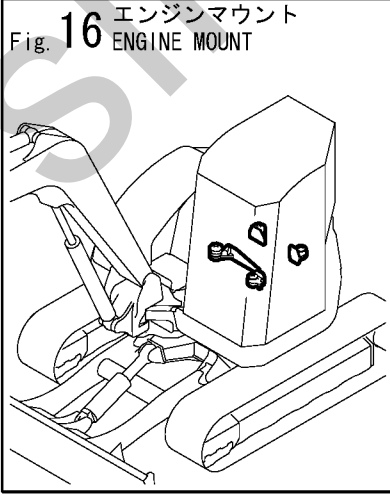
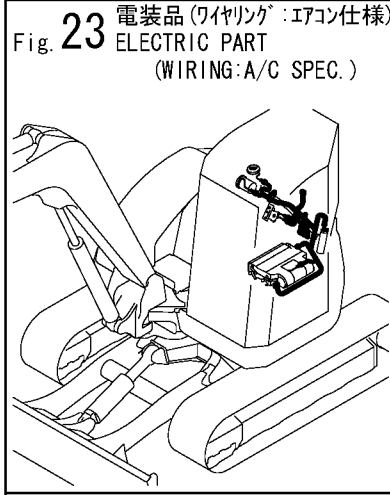
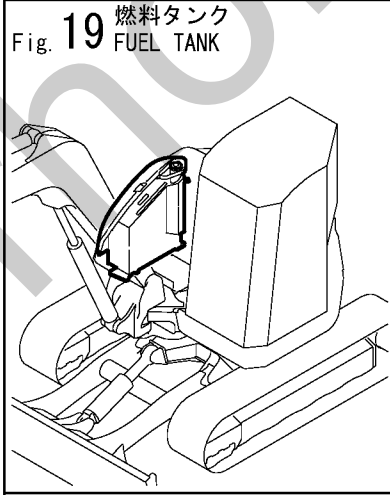
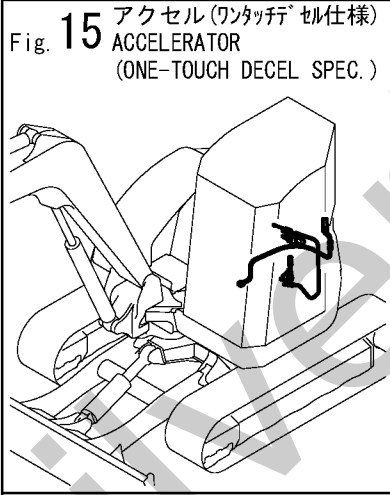
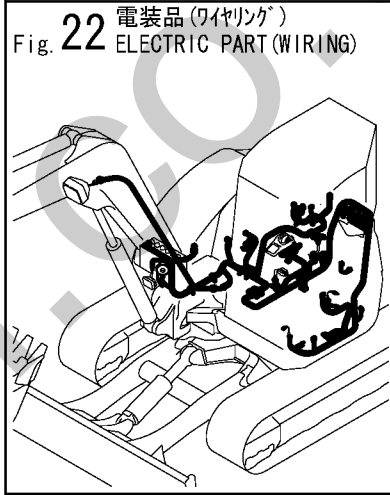
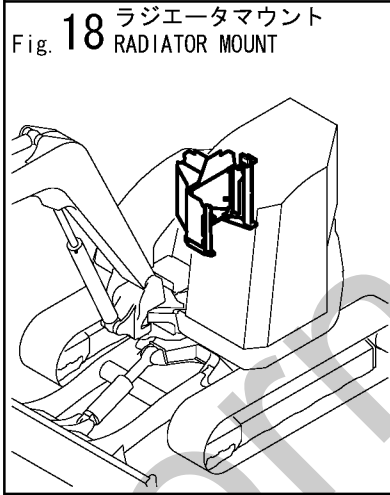
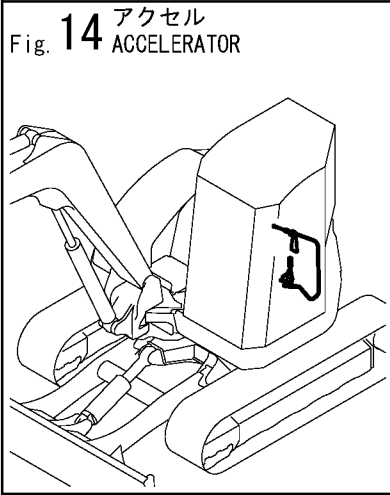
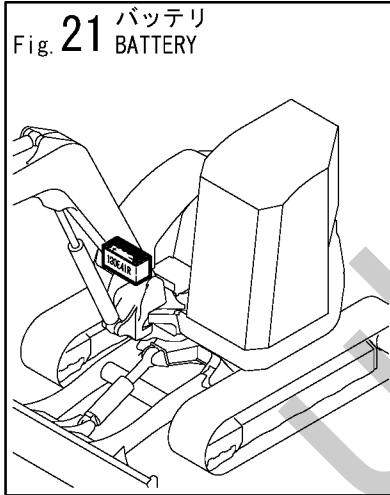
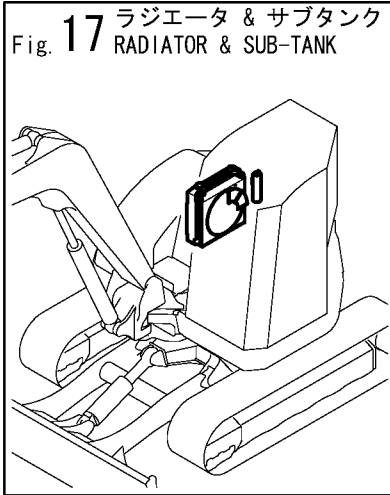
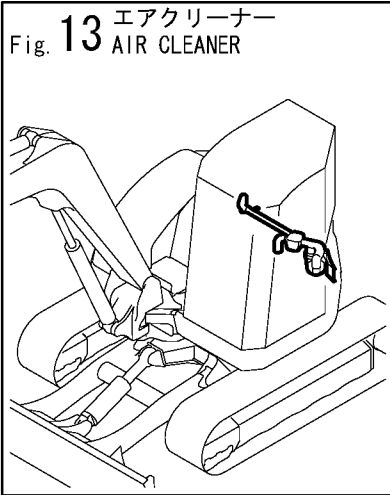


Fig. 25 電装品 (機器)  
ELECTRIC PART (EQUIPMENT)

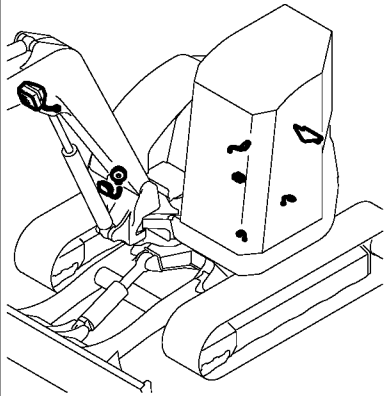


Fig. 29 キャンピライト  
CANOPY LIGHT

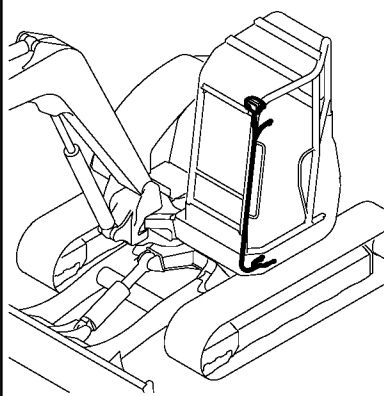


Fig. 33 ヒータ (エアコン仕様)  
HEATER (A/C SPEC.)

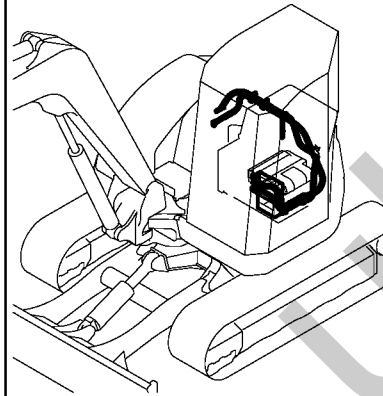


Fig. 26 電装品 (クイックヒッチ仕様)  
ELECTRIC PART  
(QUICK HITCH SPEC.)

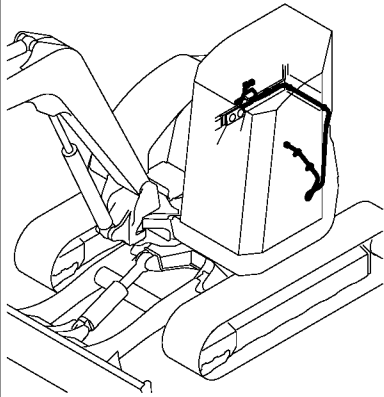


Fig. 30 走行アラーム  
TRAVEL ALARM

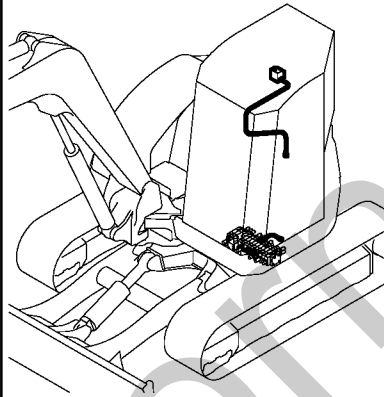


Fig. 34 エアコン (エンジン関連)  
AIR CONDITIONER  
(ENGINE RELATED)

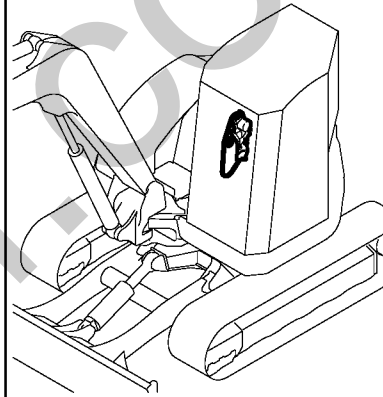


Fig. 27 電装品 (クレーン専用:1)  
ELECTRIC PART (CRANE:1)

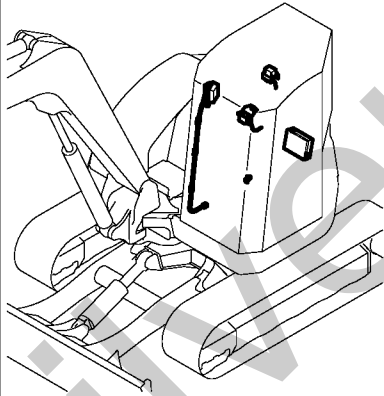


Fig. 31 インジケータボックス  
INDICATOR BOX

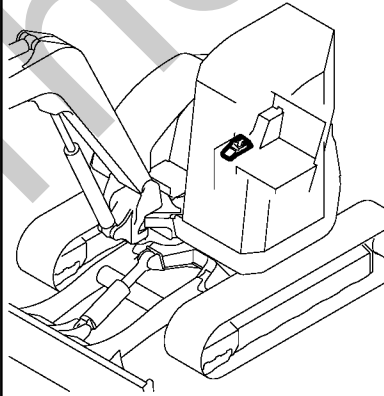


Fig. 35 エアコン (コンデンサ関連)  
AIR CONDITIONER  
(CONDENSER RELATED)

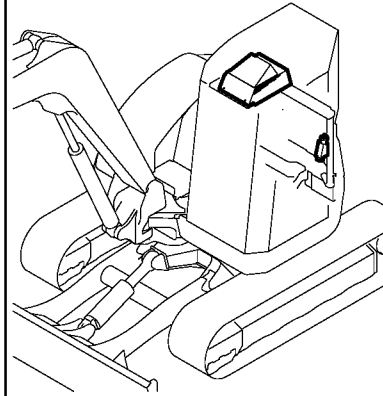


Fig. 28 電装品 (クレーン専用:2)  
ELECTRIC PART (CRANE:2)

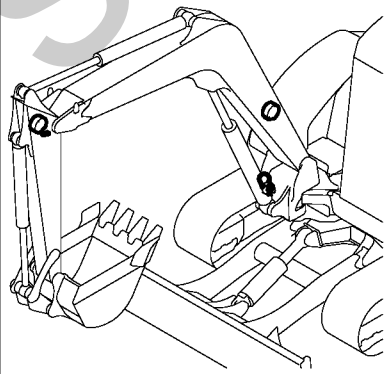


Fig. 32 ヒータ  
HEATER

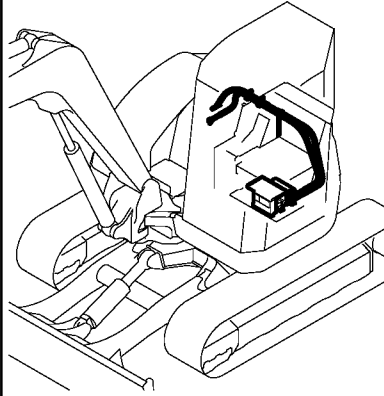
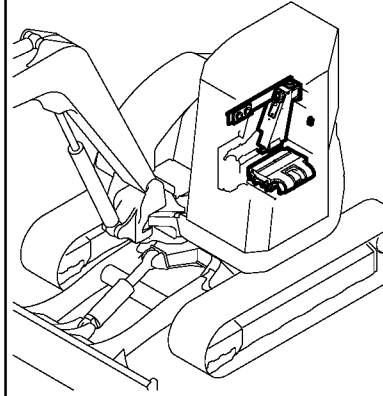
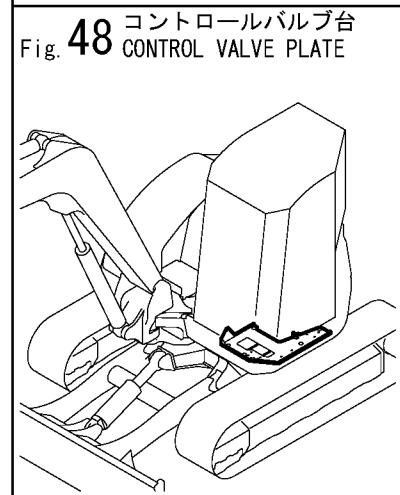
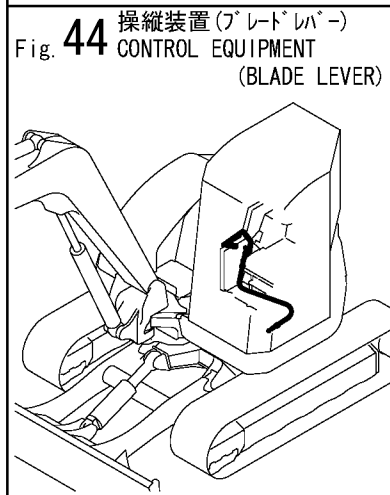
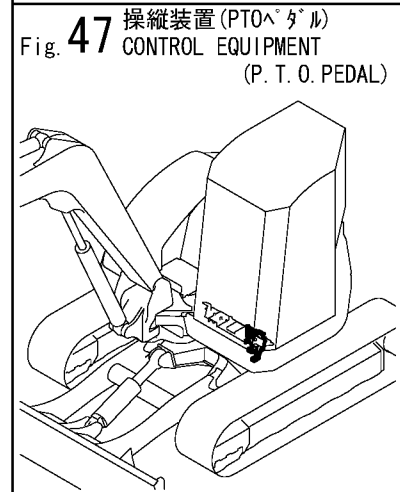
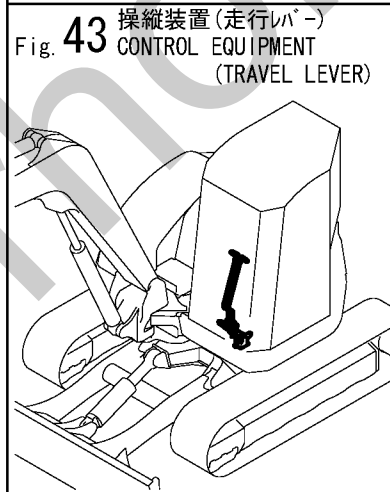
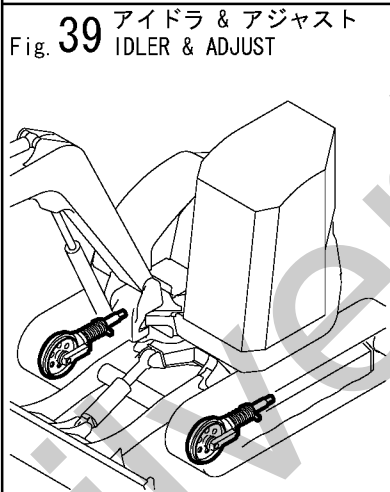
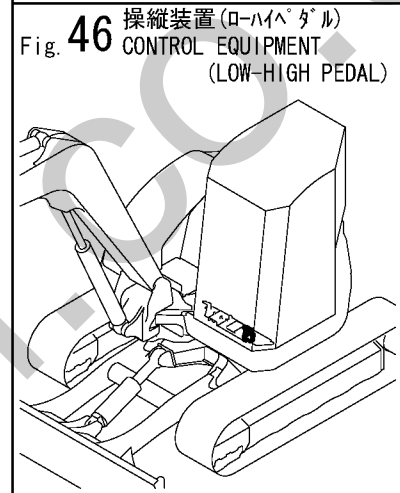
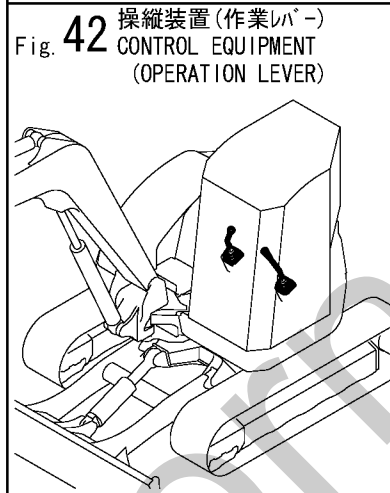
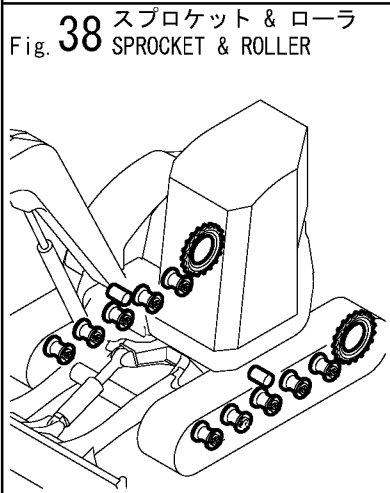
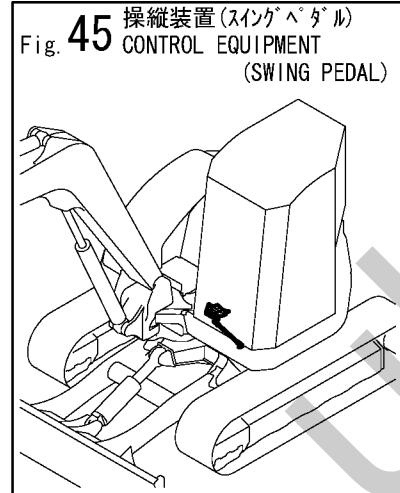
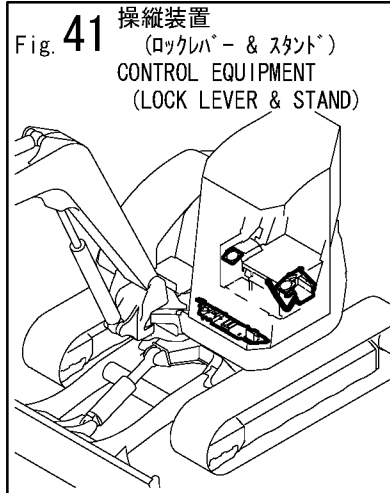
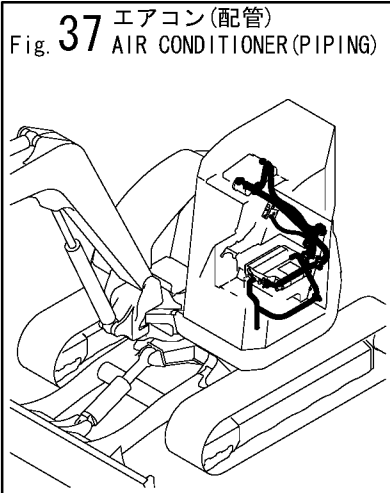
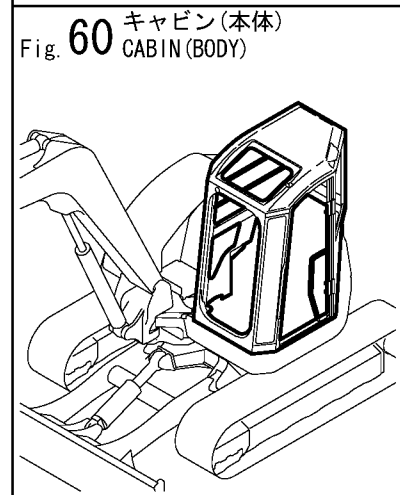
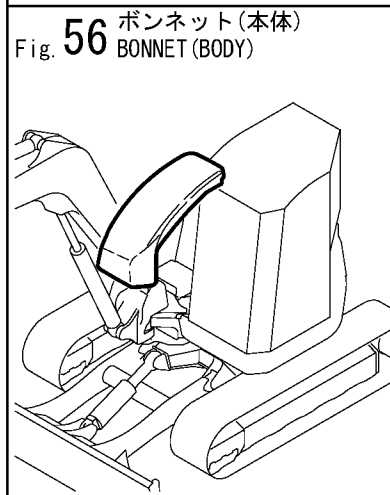
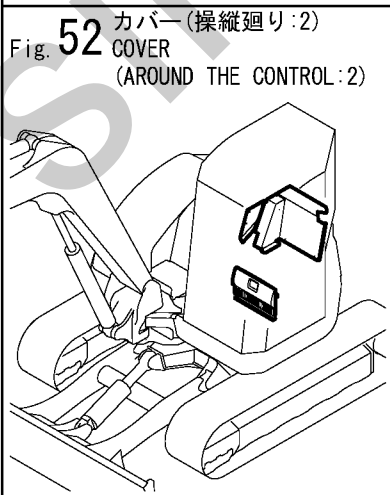
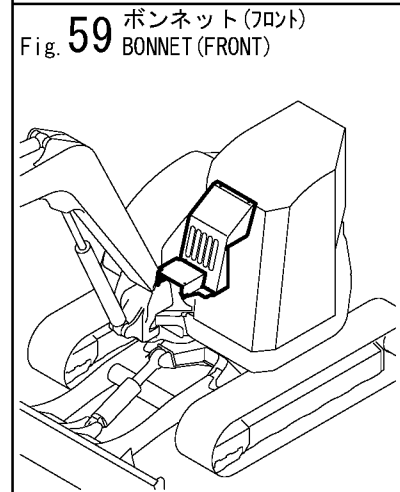
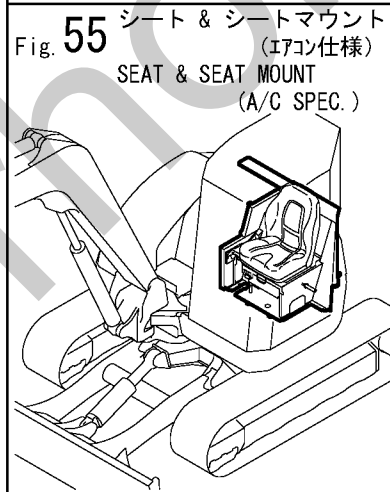
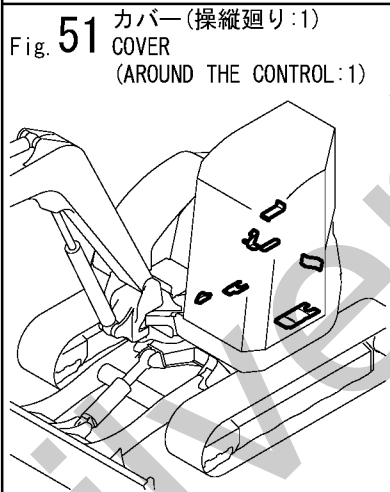
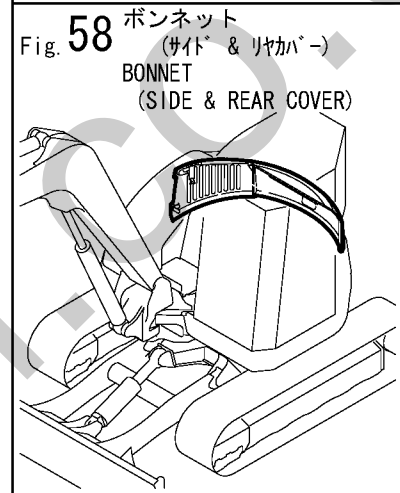
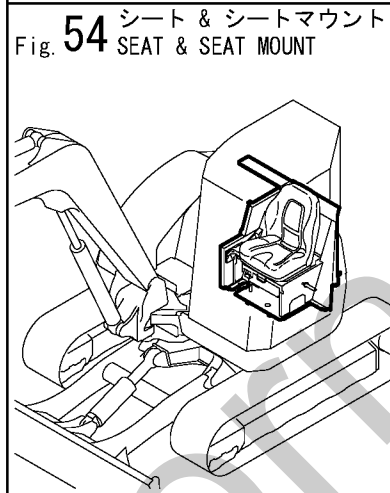
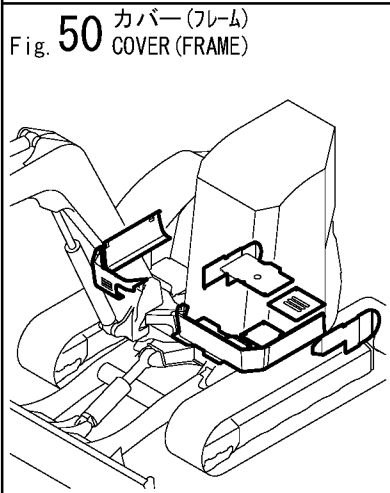
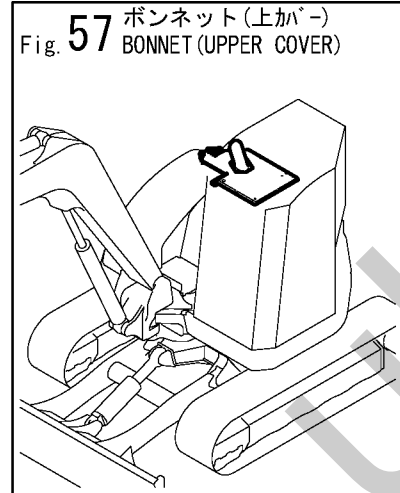
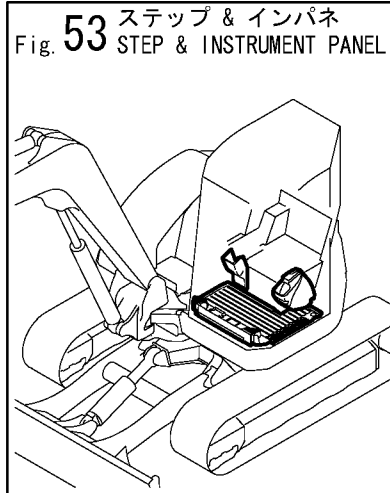
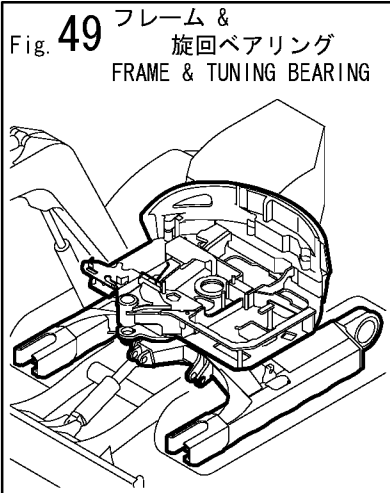
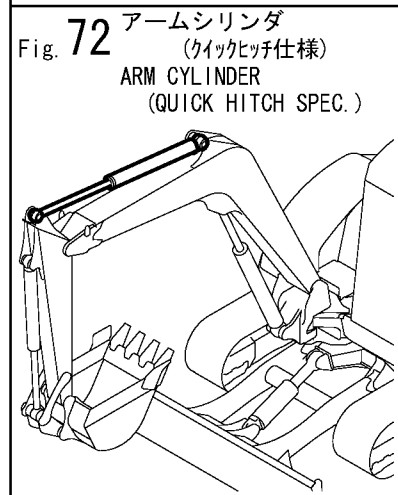
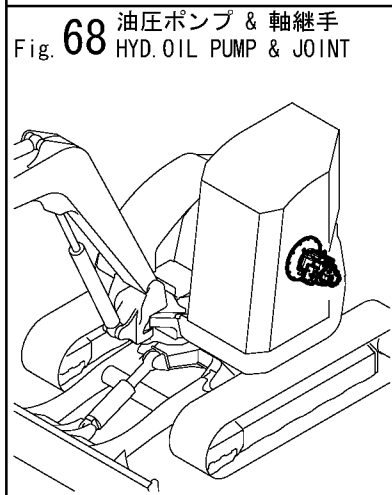
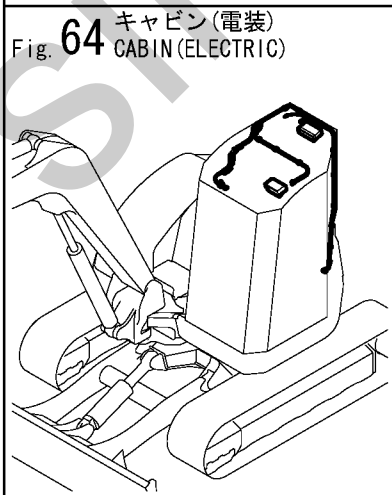
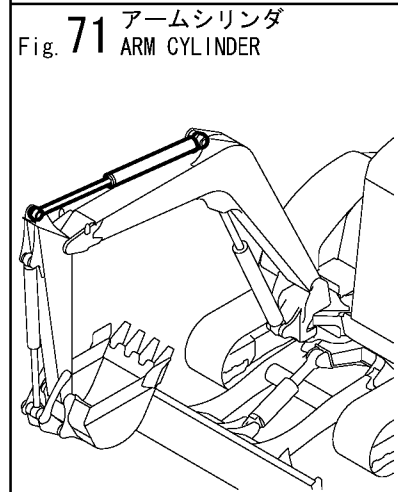
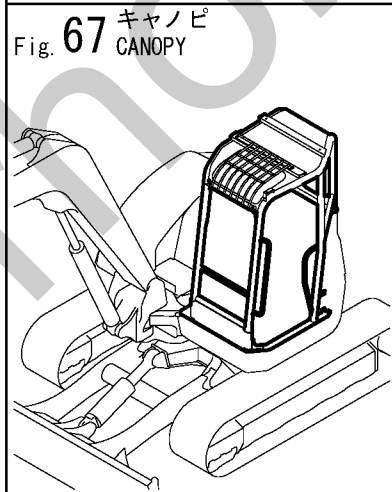
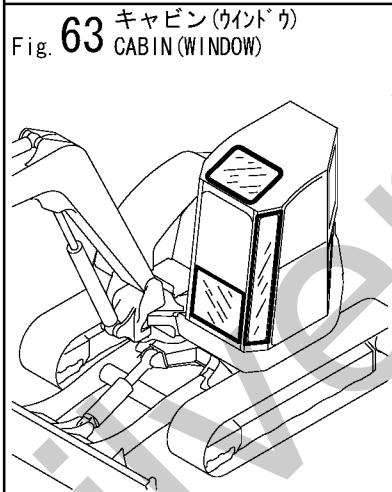
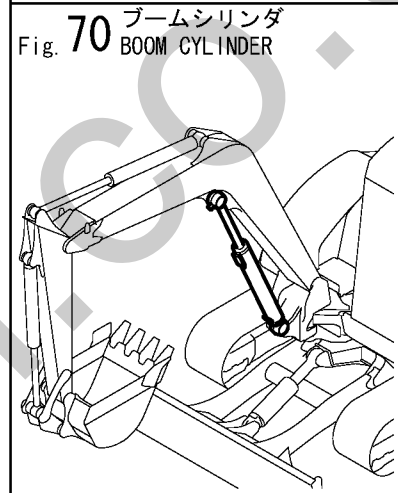
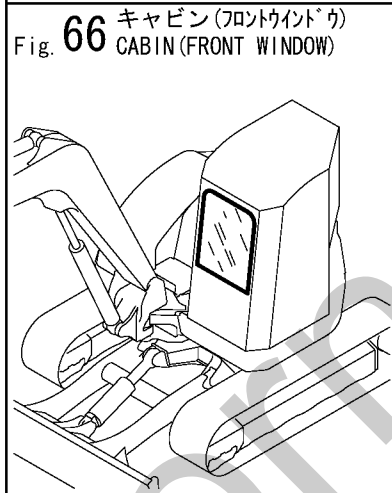
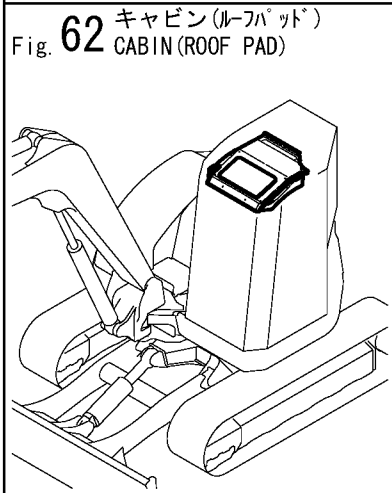
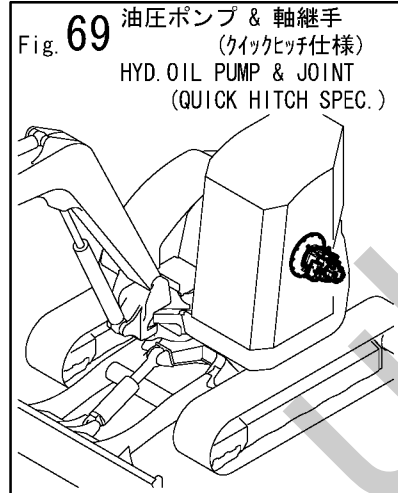
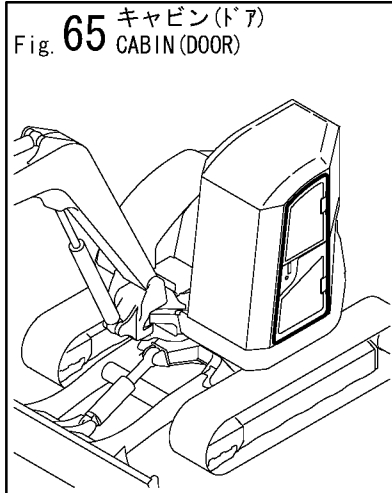
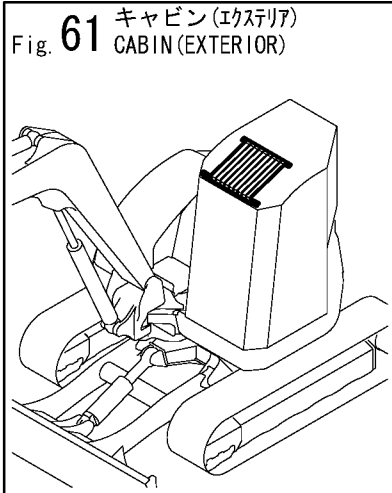


Fig. 36 エアコン (キャビン関連)  
AIR CONDITIONER  
(CABIN RELATED)









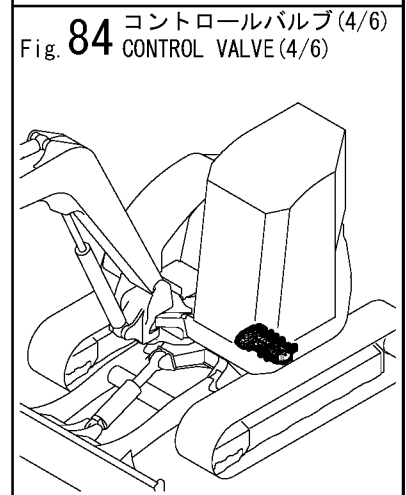
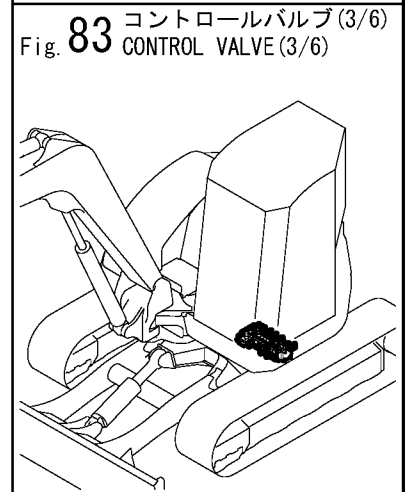
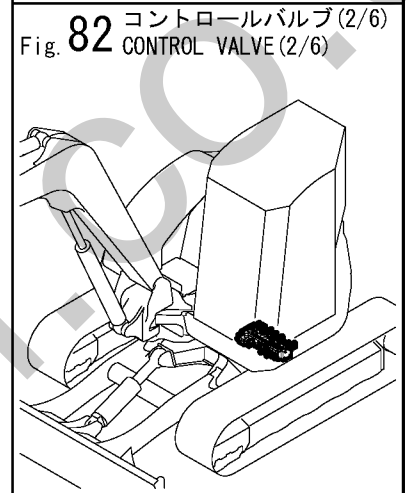
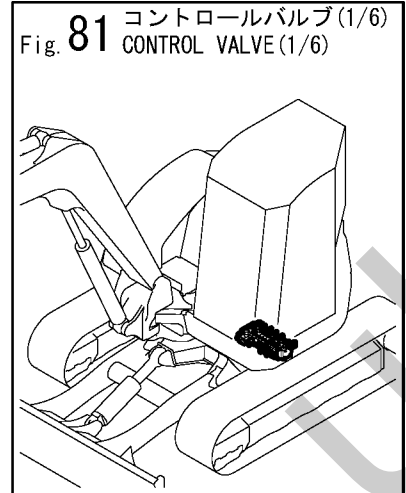
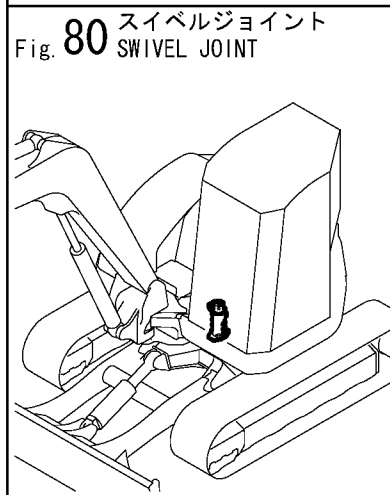
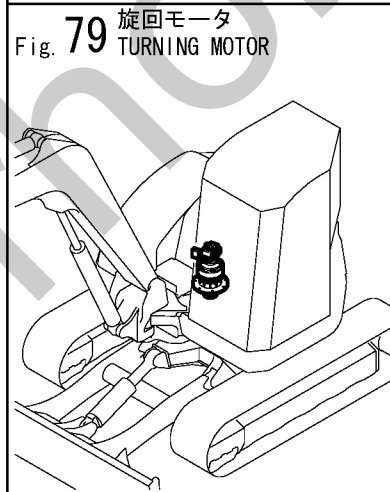
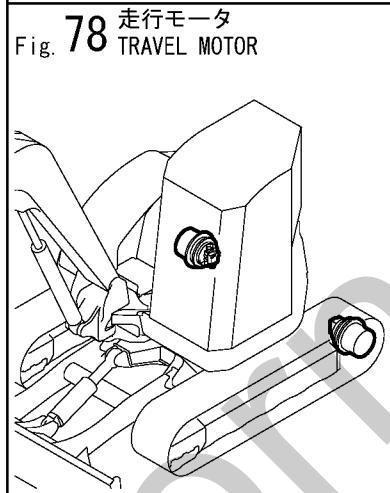
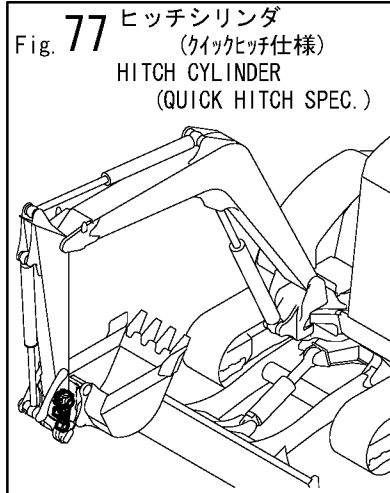
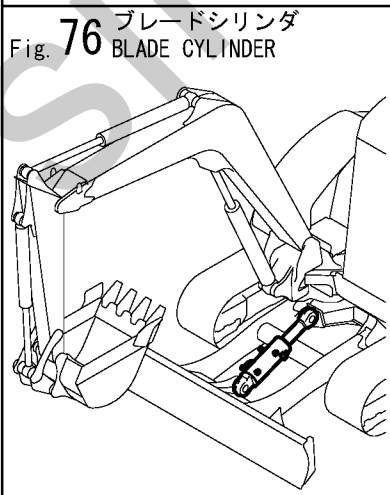
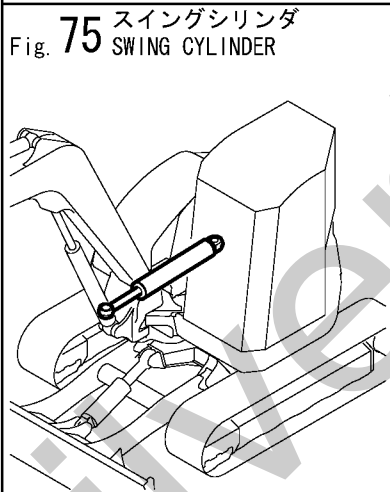
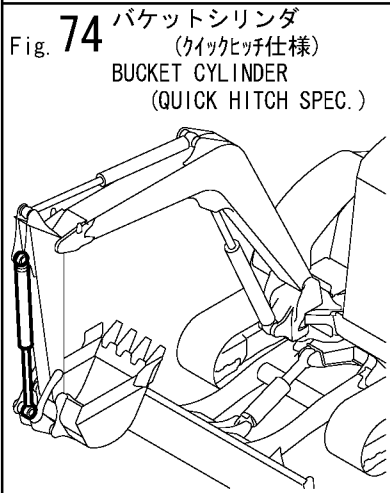
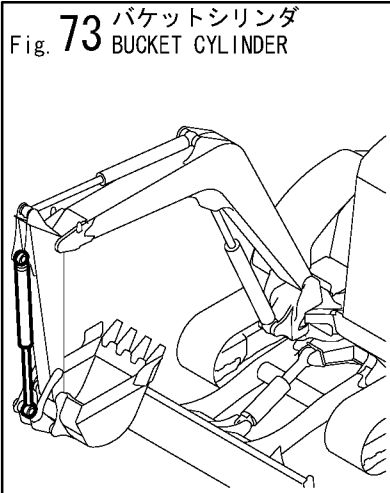


Fig. 85 コントロールバルブ (5/6)  
CONTROL VALVE (5/6)

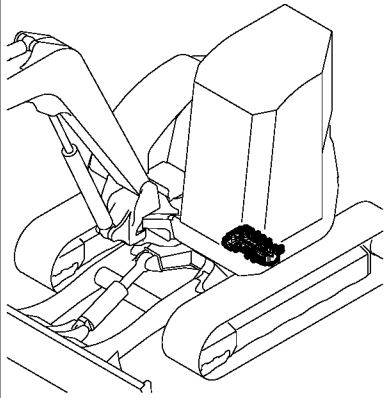


Fig. 89 4ウェイロータリバルブ  
4-WAY ROTARY VALVE

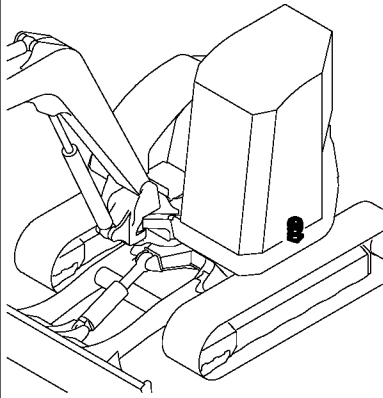


Fig. 93 オイルクーラ  
LUB. OIL COOLER

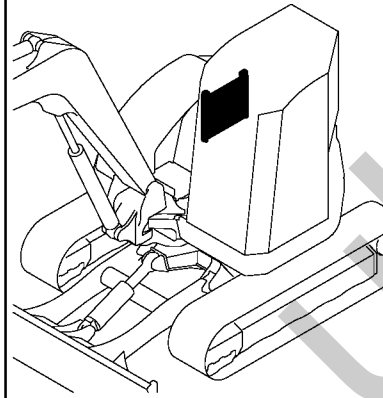


Fig. 86 コントロールバルブ (6/6)  
CONTROL VALVE (6/6)

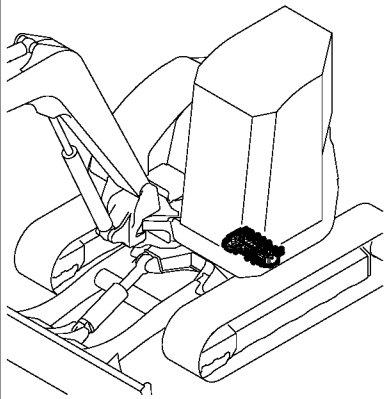


Fig. 90 ソレノイドバルブ  
(クレーン仕様)  
SOLENOID VALVE (CRANE)

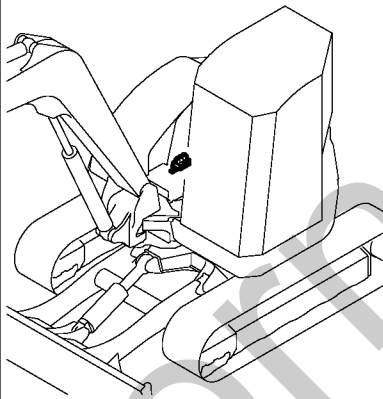


Fig. 94 作動油タンク  
HYD. OIL TANK

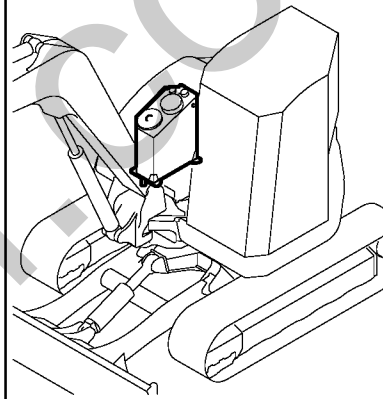


Fig. 87 リモコンバルブ  
REMOTE CONTROL VALVE

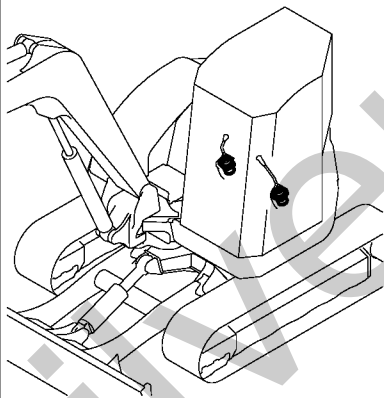


Fig. 91 ホールドバルブ  
(ブーム:クレーン仕様)  
HOLD VALVE (BOOM:CRANE)

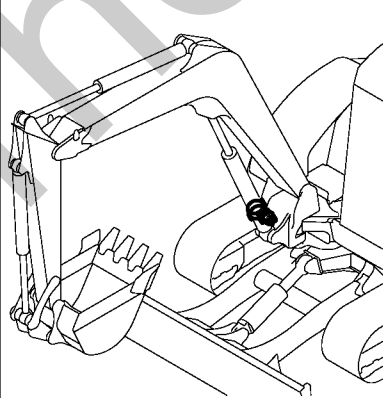


Fig. 95 油圧配管  
(タンク~ポンプ~バルブ)  
HYD. OIL PIPING  
(TANK - PUMP - VALVE)

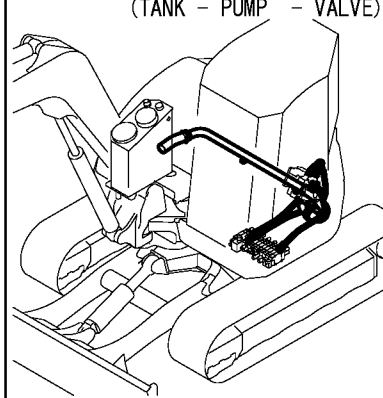


Fig. 88 リモコンバルブ  
(2ウェイ仕様)  
REMOTE CONTROL VALVE  
(2-WAY SPEC.)

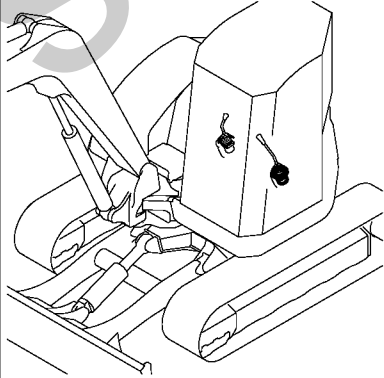


Fig. 92 ホールドバルブ  
(アーム:クレーン仕様)  
HOLD VALVE (ARM:CRANE)

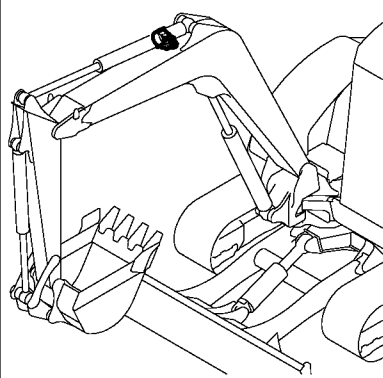
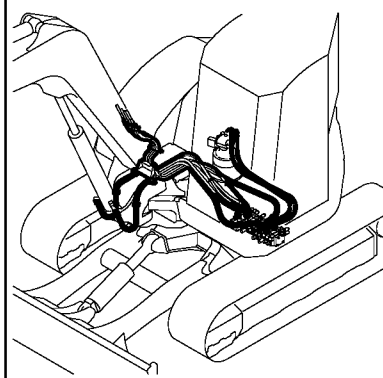
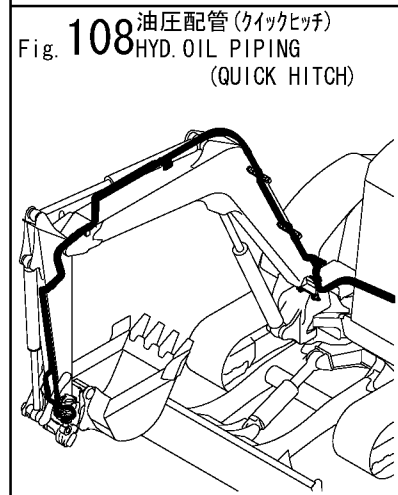
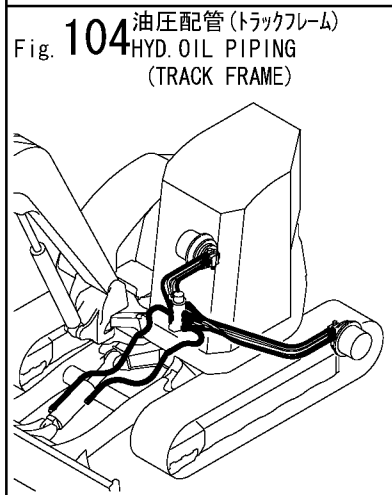
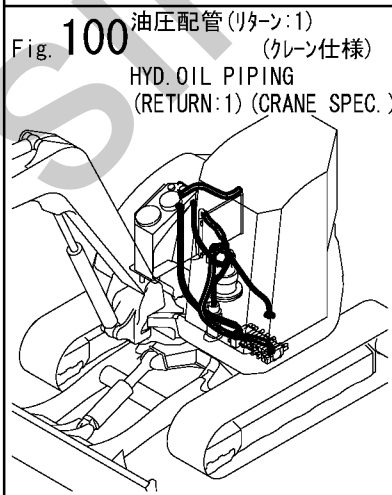
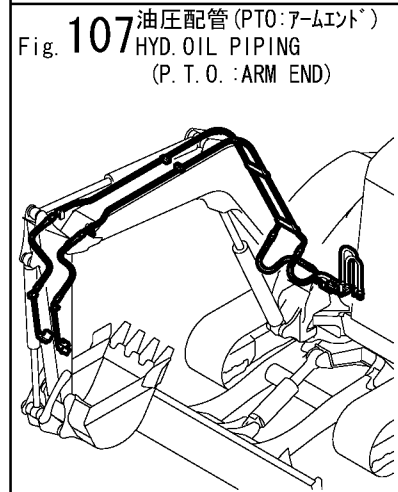
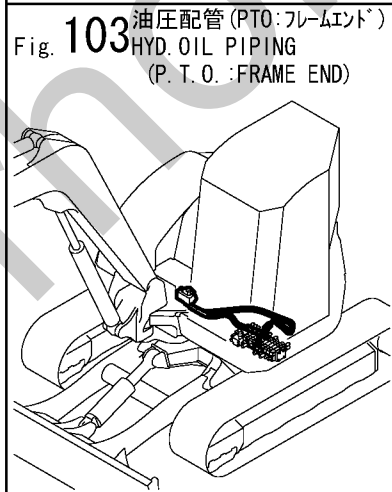
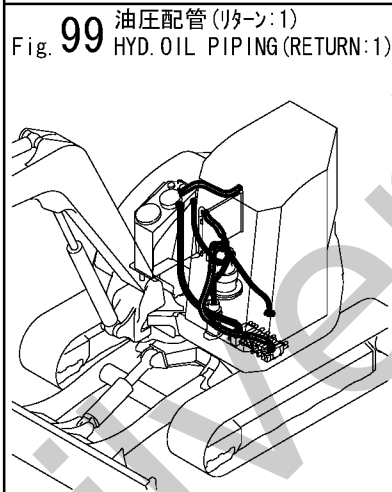
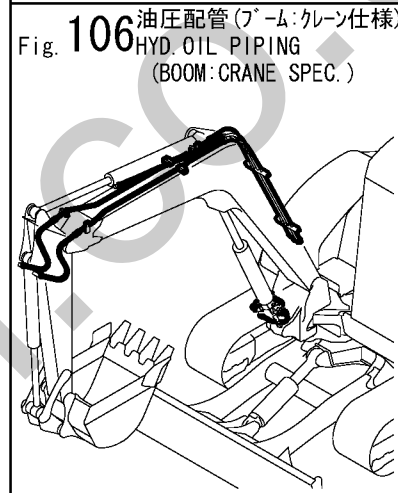
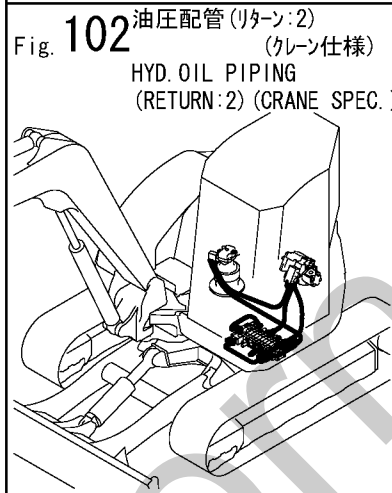
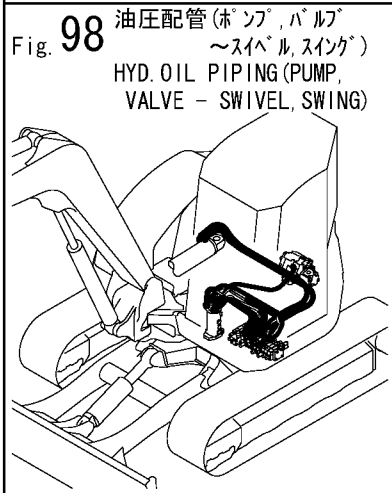
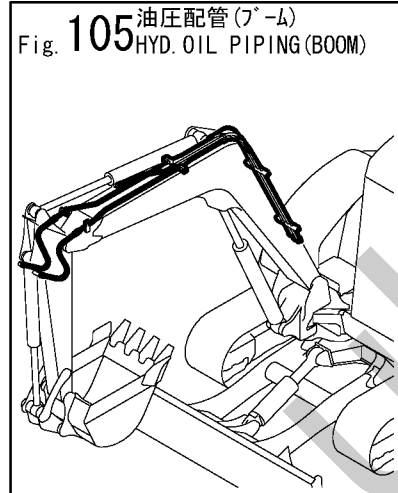
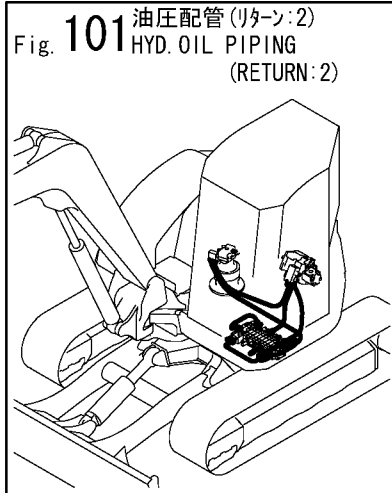
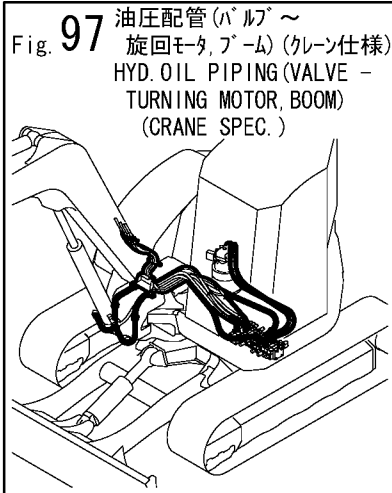
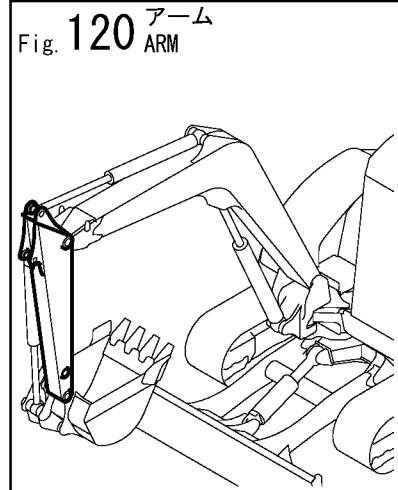
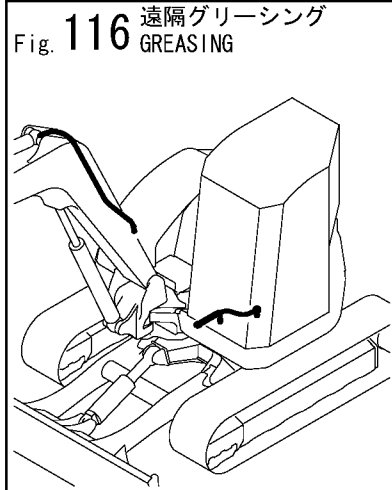
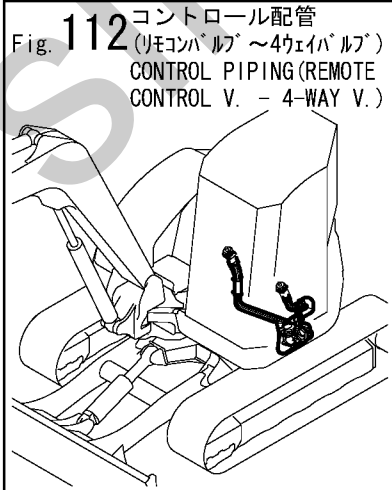
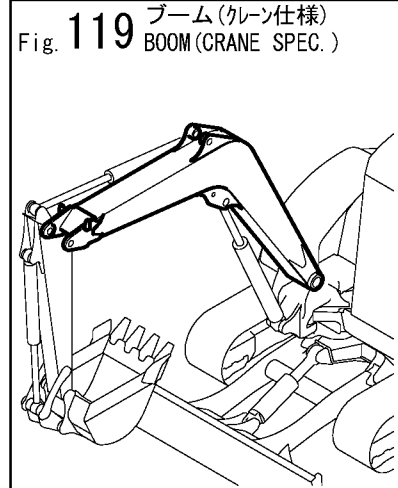
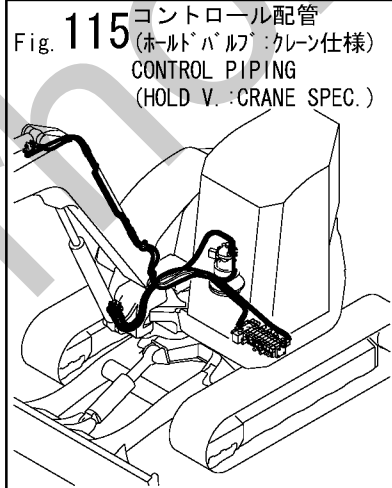
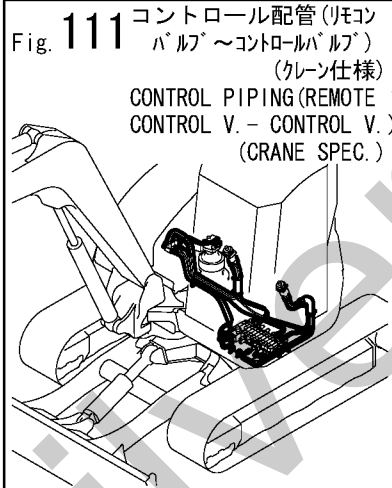
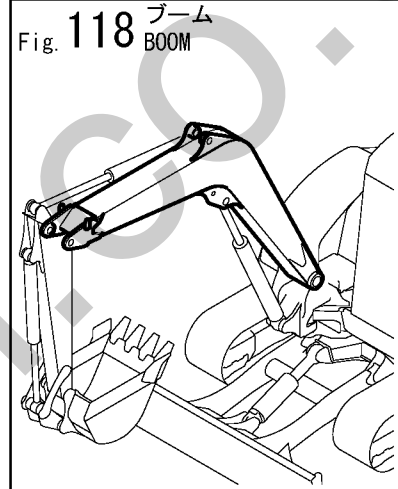
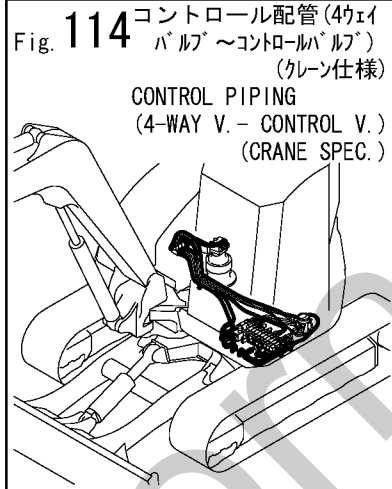
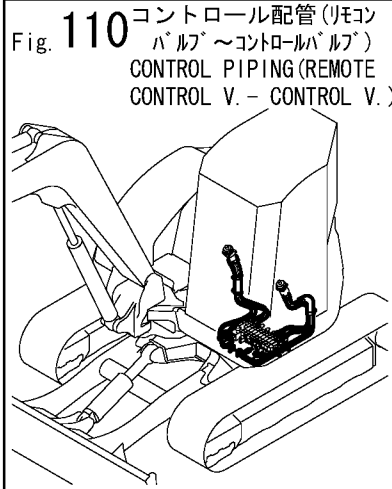
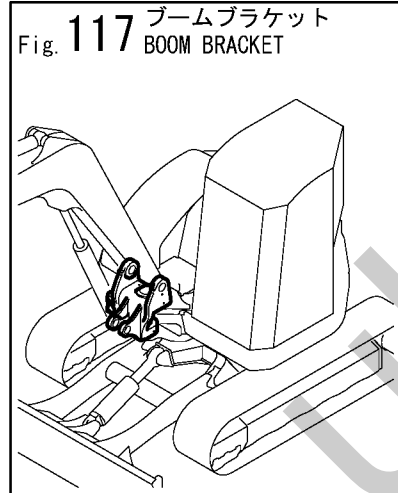
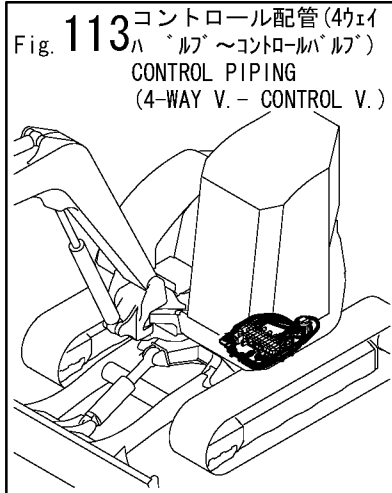
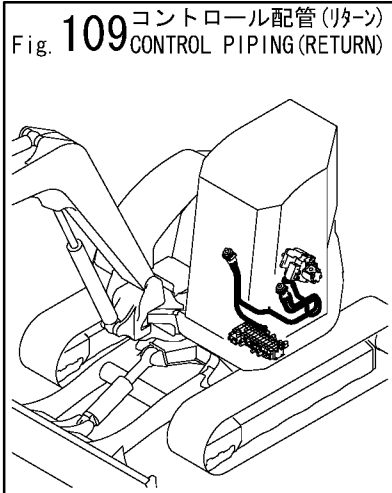


Fig. 96 油圧配管  
(バルブ~回転モータ,ブーム)  
HYD. OIL PIPING  
(VALVE - TURNING MOTOR, BOOM)









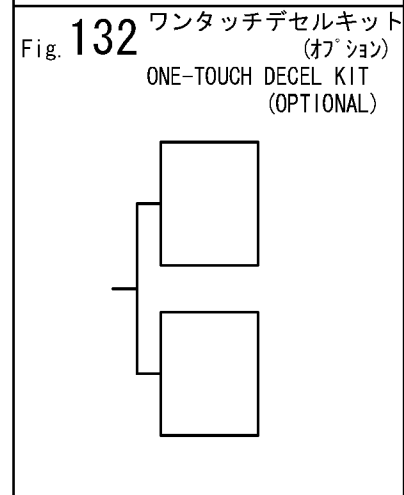
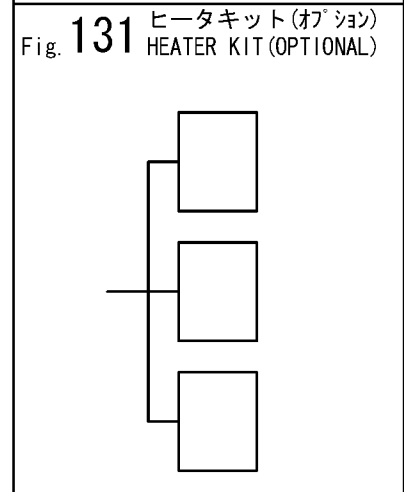
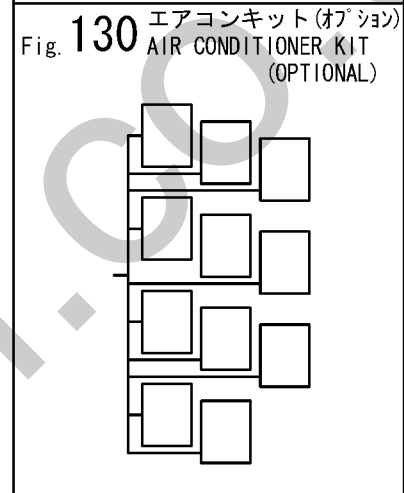
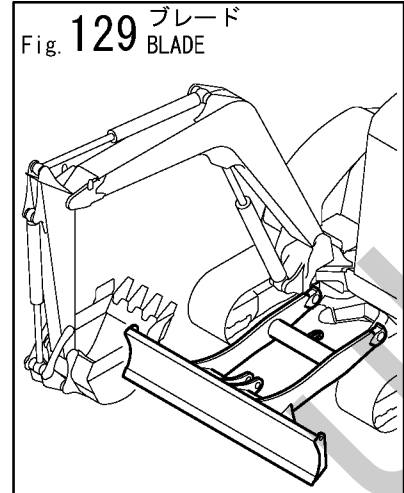
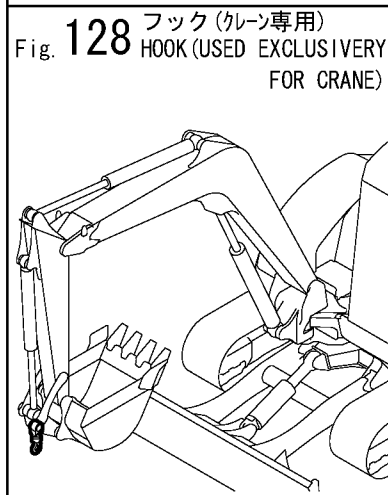
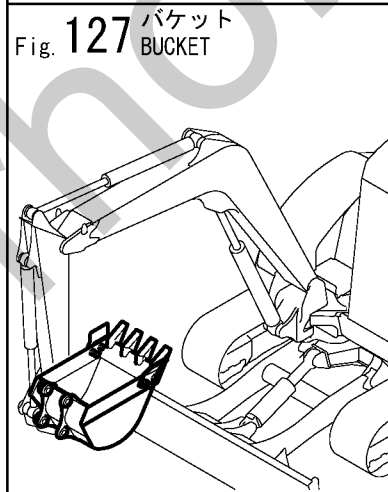
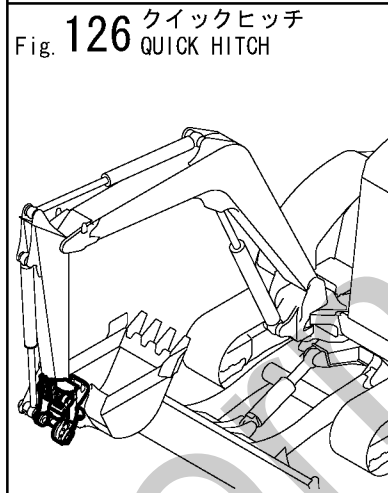
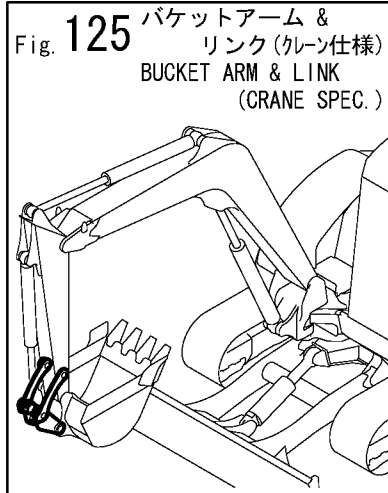
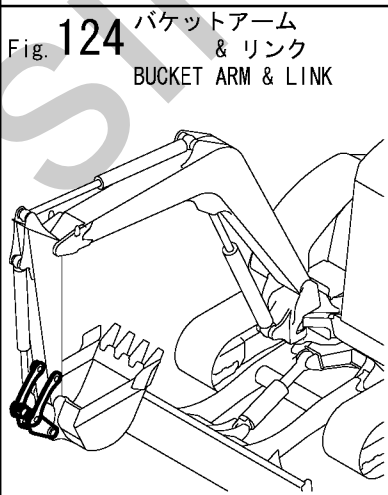
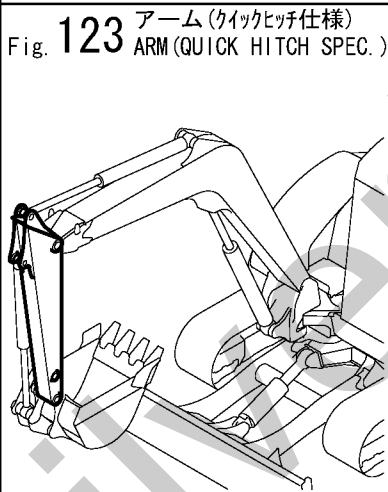
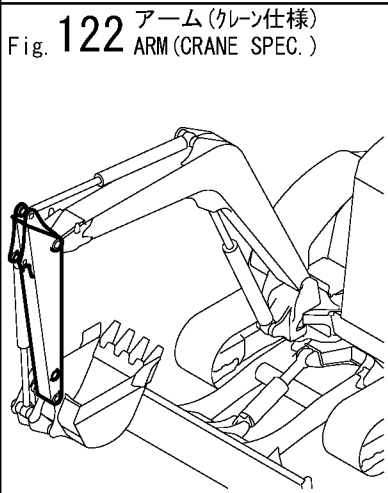
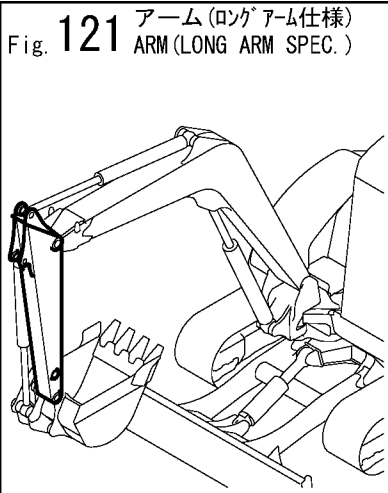


Fig. 133 P.T.O.キット (オプション)  
P.T.O. KIT (OPTIONAL)

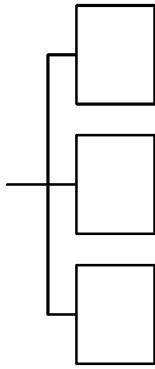


Fig. 137 ロングアームキット (オプション)  
LONG ARM KIT (OPTIONAL)

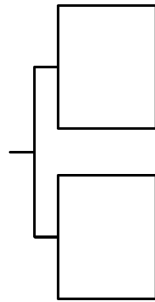


Fig. 134 4ウェイマルチバルブ  
キット (オプション)  
4-WAY MULTI VALVE KIT  
(OPTIONAL)

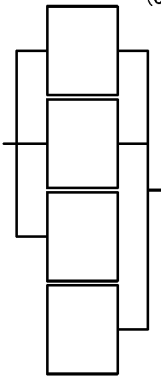


Fig. 135 2ウェイマルチバルブ  
キット (オプション)  
2-WAY MULTI VALVE KIT  
(OPTIONAL)

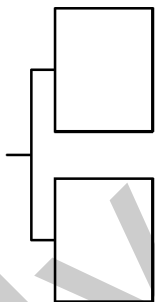
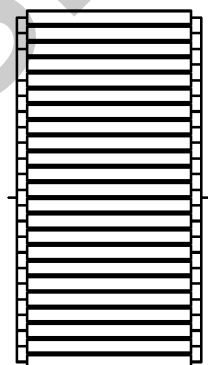
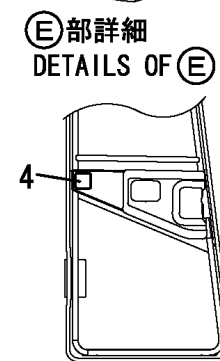
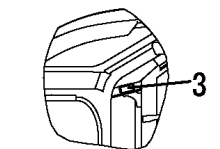
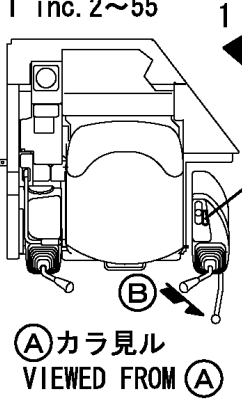


Fig. 136 クレーンキット (オプション)  
CRANE KIT (OPTIONAL)

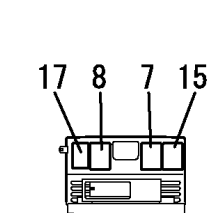


1,1,,772478-03100,, "LABEL SET,VIO70-2 C",1,,,,,,,,,,,,,  
1-1,1,,772478-03101,, "LABEL SET,VIO70-2  
C",1,,,,,,,,,N,,72457042,M/#26013,,,,,,,,,,,,,I  
2,2,,172445-03180,, LABEL,3,,,,,,,,,,,,,  
3,2,,172445-03211,, LABEL,1,,,,,,,,,,,,,  
4,2,,172445-03220,, LABEL,1,,,,,,,,,,,,,  
5,2,,172455-03320,, LABEL,1,,,,,,,,,,,,,  
6,2,,172478-03110,, "LABEL,SPECIFICATION",1,,,,,,,,,,,,,  
6-1,2,,172478-03111,, LABEL,1,,,,,,,,,N,,72457041,M/#26013,,,,,,,,,,,,,I  
7,2,,172478-03120,, "LABEL,OIL & WATER",1,,,,,,,,,,,,,  
7-1,2,,172478-03121,, "LABEL,OIL & WATER",1,,,,,,,,,N,,72478121,M/#20613,,,,,,,,,,,,,I  
8,2,,172478-03130,, "LABEL,GREASE FEED",1,,,,,,,,,,,,,  
9,2,,172146-03140,, LABEL,1,,,,,,,,,,,,,  
10,2,,172478-03140,, "LABEL,MODEL L",1,,,,,,,,,,,,,  
11,2,,172478-03150,, "LABEL,MODEL R",1,,,,,,,,,,,,,  
12,2,,172187-03160,, "LABEL, BOOM",1,,,,,,,,,,,,,  
13,2,,172478-03160,, "LABEL,REAR",1,,,,,,,,,,,,,  
14,2,,172444-03170,, LABEL,1,,,,,,,,,,,,,  
15,2,,172455-03170,, "LABEL,FUSE",1,,,,,,,,,,,,,  
15-1,2,,172455-03171,, "LABEL, HUSE",1,,,,,,,,,N,,72478121,M/#20613,,,,,,,,,,,,,I  
16,2,,172444-03180,, LABEL,2,,,,,,,,,,,,,  
17,2,,172478-03180,, "LABEL,LIFTING",1,,,,,,,,,,,,,  
18,2,,172444-03190,, LABEL,1,,,,,,,,,,,,,  
19,2,,172458-03190,, "LABEL,OILING",1,,,,,,,,,,,,,  
20,2,,172141-03202,, "LABEL,CAUTION",1,,,,,,,,,,,,,  
21,2,,172450-03200,, "LABEL,BATTERY",1,,,,,,,,,,,,,  
22,2,,172478-03200,, "LABEL,PATTERN A",1,,,,,,,,,,,,,  
23,2,,172444-03210,, LABEL,1,,,,,,,,,,,,,  
24,2,,172444-03220,, LABEL,1,,,,,,,,,,,,,  
25,2,,172458-03220,, "LABEL,ACCELERATOR",1,,,,,,,,,,,,,  
26,2,,172478-03220,, "LABEL,L",1,,,,,,,,,,,,,  
27,2,,172444-03230,, LABEL,1,,,,,,,,,,,,,  
28,2,,172444-03240,, LABEL,1,,,,,,,,,,,,,  
29,2,,172173-03250,, LABEL,1,,,,,,,,,,,,,  
30,2,,172183-03250,, "LABEL,FUEL",1,,,,,,,,,,,,,  
31,2,,172524-03271,, LABEL,1,,,,,,,,,,,,,  
32,2,,172183-03280,, "LABEL,LOCK",1,,,,,,,,,,,,,  
33,2,,172444-03280,, LABEL,2,,,,,,,,,,,,,  
34,2,,172142-03302,, "LABEL,CAUTION",1,,,,,,,,,,,,,  
35,2,,172455-03340,, LABEL,1,,,,,,,,,,,,,  
36,2,,172141-03360,, "LABEL, START SWITCH",1,,,,,,,,,,,,,  
37,2,,172964-03370,, LABEL,1,,,,,,,,,,,,,  
38,2,,172964-03481,, "LABEL,DANGER",1,,,,,,,,,,,,,  
39,2,,172164-03510,, "LABEL,LOADING",1,,,,,,,,,,,,,  
40,2,,172437-03510,, "LABEL,HOOK",3,,,,,,,,,,,,,  
41,2,,172164-03520,, "LABEL,DANGER",1,,,,,,,,,,,,,  
42,2,,172164-03540,, LABEL,1,,,,,,,,,,,,,  
43,2,,172519-04180,, "LABEL,WARNING",1,,,,,,,,,,,,,  
44,2,,172519-04290,, "LABEL,WARNING",1,,,,,,,,,,,,,  
45,2,,121470-44540,, "LABEL, SUB-TANK",1,,,,,,,,,,,,,  
46,2,,172444-03290,, MAGNET,1,,,,,,,,,,,,,  
47,2,,172151-03551,, LABEL,1,,,,,,,,,,,,,  
48,2,,172455-03190,, "LABEL,CRAWLER",1,,,,,,,,,,,,,  
49,2,,172458-03550,, LABEL,1,,,,,,,,,,,,,  
50,2,,172458-03560,, LABEL,1,,,,,,,,,,,,,  
51,2,,172458-03570,, LABEL,1,,,,,,,,,,,,,  
52,2,,172478-03210,, "LABEL,PATTERN B",1,,,,,,,,,,,,,I  
53,2,,172478-03250,, "LABEL,NOISE",1,,,,,,,,,,,,,I  
54,2,,172478-03260,, "LABEL,PATTERN D",1,,,,,,,,,,,,,I  
55,2,,172478-03900,, "LABEL (FRON GAS",1,,,,,,,,,72458488,M/#20613,,,,,,,,,,,,,I

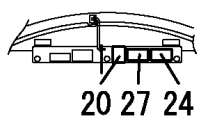
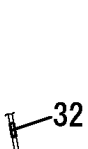
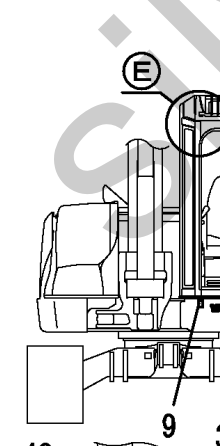
見出しNo. 1は  
見出しNo. 2から55を含みます  
1 inc. 2~55



キャビンドア内部詳細  
DETAILS OF  
CABIN DDOR INSIDE

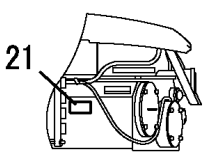


グリル内部詳細  
DETAILS OF  
GRILLE INSIDE

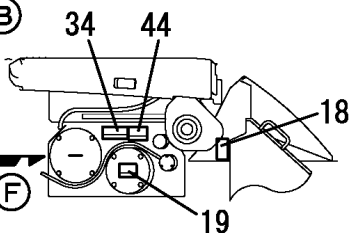


(C) カラ見ル  
VIEWED FROM (C)

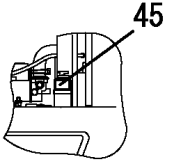
(B) カラ見ル  
VIEWED FROM (B)



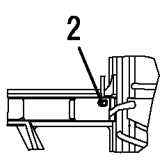
(F) カラ見ル  
VIEWED FROM (F)



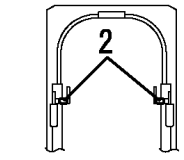
リザーバタンク部詳細  
DETAILS OF  
HYD. OIL TANK



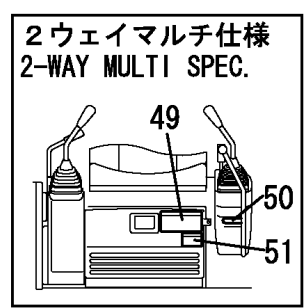
(G) カラ見ル  
VIEWED FROM (G)



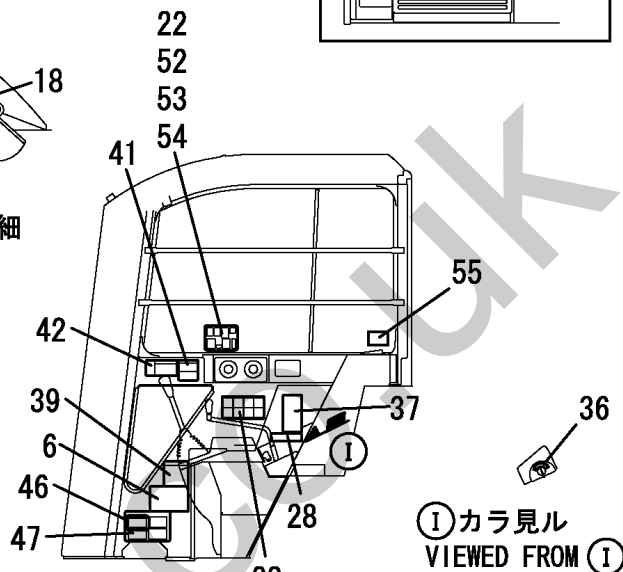
(H) 部詳細  
DETAILS OF (H)



(D) カラ見ル  
VIEWED FROM (D)



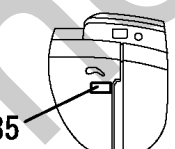
2ウェイマルチ仕様  
2-WAY MULTI SPEC.



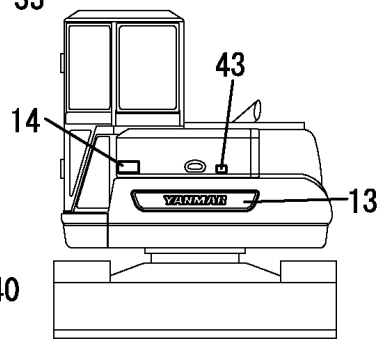
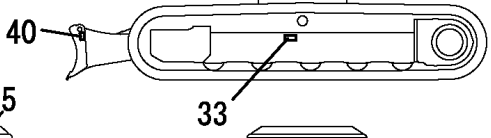
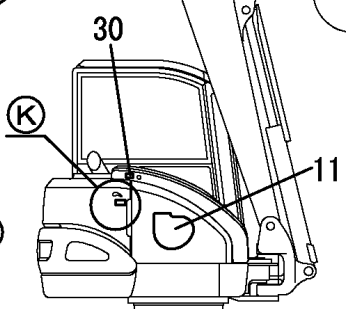
キャビン内部詳細  
DETAILS OF  
CABIN INSIDE



取説収納庫在中  
IN THE OPERATION  
MANUAL CASE



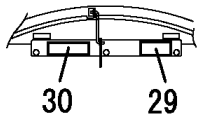
(K) 部詳細  
DETAILS OF (K)



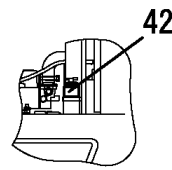
機体No. 機関No. 打刻位置  
MACHINE SERIAL No.  
ENGINE No. IS STAMPED  
INTO THIS LOCATION.

1,1,,772478-03270,, "LABEL SET,VIO70-2 EX",,,1,,,,,,,,,,,,,,,,,,,,,I  
2,2,,172463-03280,, "LABEL,ADJUST CRAWLER",,,1,,,,,,,,,,,,,,,,,,,,,I  
3,2,,172478-03140,, "LABEL,MODEL L",,,1,,,,,,,,,,,,,,,,,,,,,I  
4,2,,172478-03150,, "LABEL,MODEL R",,,1,,,,,,,,,,,,,,,,,,,,,I  
5,2,,172187-03160,, "LABEL, BOOM",,,1,,,,,,,,,,,,,,,,,,,,,I  
6,2,,172478-03160,, "LABEL,REAR",,,1,,,,,,,,,,,,,,,,,,,,,I  
7,2,,172478-03200,, "LABEL,PATTERN A",,,1,,,,,,,,,,,,,,,,,,,,,I  
8,2,,172458-03220,, "LABEL,ACCELERATOR",,,1,,,,,,,,,,,,,,,,,,,,,I  
9,2,,172478-03220,, "LABEL,L",,,1,,,,,,,,,,,,,,,,,,,,,I  
10,2,,172463-03230,, "LABEL,OIL & WATER",,,1,,,,,,,,,,,,,,,,,,,,,I  
11,2,,172437-03250,, "TAG,SERVICING ASSY",,,1,,,,,,,,,,,,,,,,,,,,,I  
12,2,,172524-03271,, "LABEL",,,1,,,,,,,,,,,,,,,,,,,,,I  
13,2,,172183-03280,, "LABEL,LOCK",,,1,,,,,,,,,,,,,,,,,,,,,I  
14,2,,172463-03290,, "LABEL,HYD.OIL US",,,1,,,,,,,,,,,,,,,,,,,,,I  
15,2,,172437-03310,, "LABEL,SLOPE",,,1,,,,,,,,,,,,,,,,,,,,,I  
16,2,,172146-03320,, "LABEL,GREASE E",,,1,,,,,,,,,,,,,,,,,,,,,I  
17,2,,172437-03320,, "LABEL,HYD.OIL TANK",,,1,,,,,,,,,,,,,,,,,,,,,I  
18,2,,172463-03320,, "LABEL,F/W LOWER US",,,1,,,,,,,,,,,,,,,,,,,,,I  
19,2,,172463-03330,, "LABEL,COVER",,,1,,,,,,,,,,,,,,,,,,,,,I  
20,2,,172437-03340,, "LABEL,TRANSPORT",,,1,,,,,,,,,,,,,,,,,,,,,I  
21,2,,172437-03351,, "LABEL,GREASE CYL.",,,2,,,,,,,,,,,,,,,,,,,,,I  
22,2,,172141-03360,, "LABEL, START SWITCH",,,1,,,,,,,,,,,,,,,,,,,,,I  
23,2,,172437-03360,, "LABEL,BATTERY",,,1,,,,,,,,,,,,,,,,,,,,,I  
24,2,,172437-03371,, "LABEL",,,1,,,,,,,,,,,,,,,,,,,,,I  
25,2,,172437-03380,, "LABEL,SWING AREA",,,1,,,,,,,,,,,,,,,,,,,,,I  
26,2,,172437-03390,, "LABEL,RADIATOR",,,1,,,,,,,,,,,,,,,,,,,,,I  
27,2,,172478-03390,, "LABEL,FUSE US",,,1,,,,,,,,,,,,,,,,,,,,,I  
28,2,,172437-03400,, "LABEL,ENG.HOOD",,,1,,,,,,,,,,,,,,,,,,,,,I  
29,2,,172437-03410,, "LABEL,ENG.ROOM",,,1,,,,,,,,,,,,,,,,,,,,,I  
30,2,,172437-03421,, "LABEL,MUFFLER",,,1,,,,,,,,,,,,,,,,,,,,,I  
31,2,,172437-03431,, "LABEL,STEERING",,,1,,,,,,,,,,,,,,,,,,,,,I  
32,2,,172478-03430,, "LABEL,GREASING",,,1,,,,,,,,,,,,,,,,,,,,,I  
33,2,,172437-03470,, "LABEL,LEVER LOCK",,,1,,,,,,,,,,,,,,,,,,,,,I  
34,2,,172437-03500,, "LABEL,FUEL",,,1,,,,,,,,,,,,,,,,,,,,,I  
35,2,,172437-03510,, "LABEL,HOOK",,,3,,,,,,,,,,,,,,,,,,,,,I  
36,2,,172437-03550,, "LABEL,WINDOW",,,1,,,,,,,,,,,,,,,,,,,,,I  
37,2,,172478-03551,, "LABEL,SPECIFICATION",,,1,,,,,,,,,,,,,,,,,,,,,I  
38,2,,172448-03600,, "LABEL,MANUAL US",,,1,,,,,,,,,,,,,,,,,,,,,I  
39,2,,172187-03940,, "LABEL,BOOM",,,2,,,,,,,,,,,,,,,,,,,,,I  
40,2,,172125-03950,, "LABEL, AIR CLEANER",,,1,,,,,,,,,,,,,,,,,,,,,I  
41,2,,121120-44800,, "LABEL, RADIATOR",,,1,,,,,,,,,,,,,,,,,,,,,I  
42,2,,124764-44810,, "LABEL, SUB-TANK",,,1,,,,,,,,,,,,,,,,,,,,,I  
43,2,,124764-44920,, "LABEL, ANTI-FREEZING",,,1,,,,,,,,,,,,,,,,,,,,,I

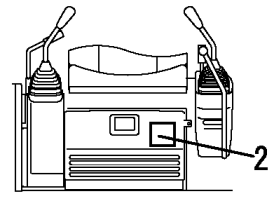
見出しNo. 1は  
見出しNo. 2から43を含みます  
1 inc. 2~43



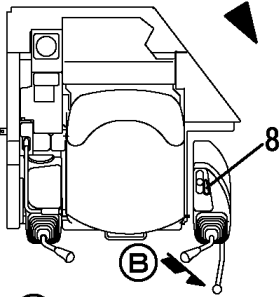
③カラ見ル  
VIEWED FROM ③



④カラ見ル  
VIEWED FROM ④

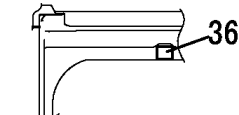


⑤カラ見ル  
VIEWED FROM ⑤



②カラ見ル  
VIEWED FROM ②

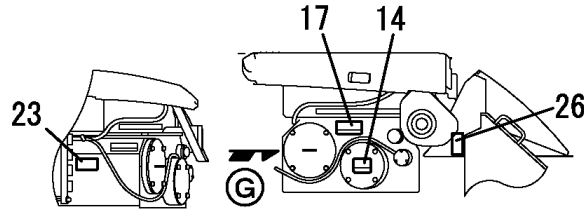
①カラ見ル  
VIEWED FROM ①



⑥カラ見ル  
VIEWED FROM ⑥

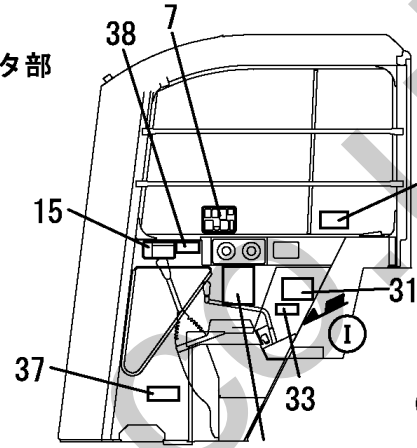


ラジエータ部  
RADIATOR

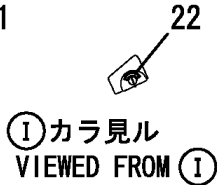


⑦カラ見ル  
VIEWED FROM ⑦

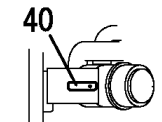
リザーバタンク部詳細  
DETAILS OF  
HYD. OIL TANK



キャビン内部詳細  
DETAILS OF  
CABIN INSIDE



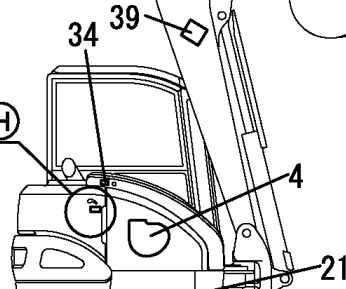
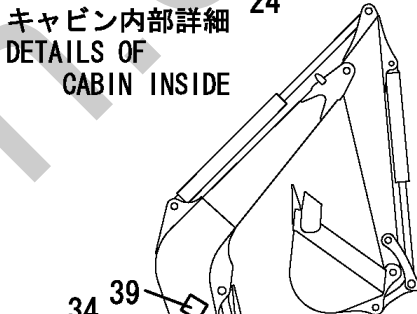
⑧カラ見ル  
VIEWED FROM ⑧



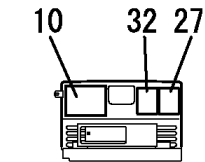
AIR CLEANER



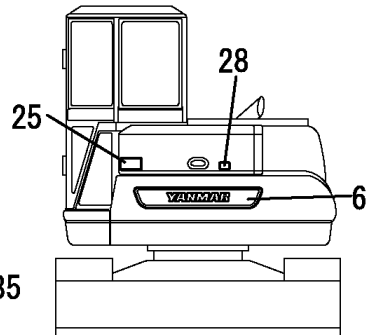
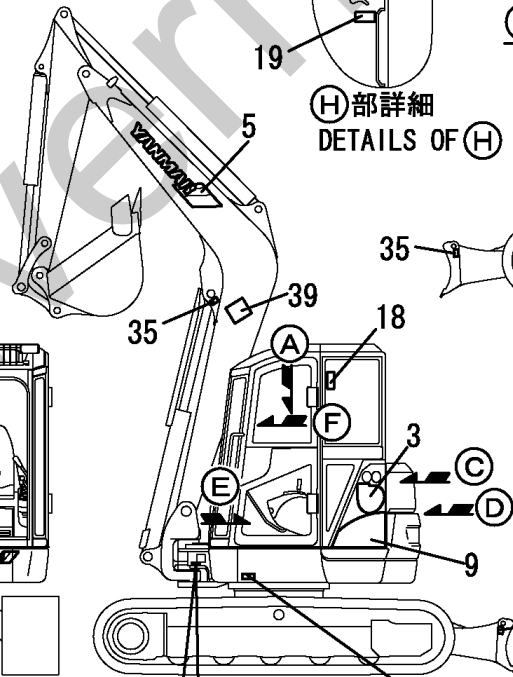
取説収納庫在中  
IN THE OPERATION  
MANUAL CASE



⑨部詳細  
DETAILS OF ⑨



グリル内部詳細  
DETAILS OF  
GRILLE INSIDE

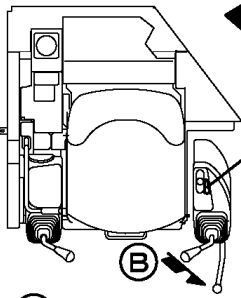


機体No. 機関No. 打刻位置  
MACHINE SERIAL No.  
ENGINE No. IS STAMPED  
INTO THIS LOCATION.



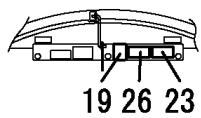
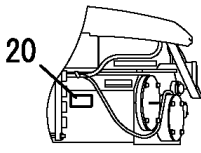
1,1,,772478-03120,, "LAVEL SET,VIO70-2 P",,1,,,,,,,,,,,,,  
1-1,1,,772478-03121,, "LAVEL SET,VUI70-2  
P",,1,,,,,N,,,,,72457042,M/#26013,,,,,,,,,,,,,I  
2,2,,172444-03290,,MAGNET,,1,,,,,,,,,,,,,  
3,2,,172151-03551,,LABEL,,1,,,,,,,,,,,,,  
4,2,,172455-03190,, "LABEL,CRAWLER",,1,,,,,,,,,,,,,  
5,2,,172478-03110,, "LABEL,SPECIFICATION",,1,,,,,,,,,,,,,  
5-1,2,,172478-03111,,LABEL,,1,,,,,N,,,,,72457041,M/#20613,,,,,,,,,,,,,I  
6,2,,172478-03120,, "LABEL,OIL & WATER",,1,,,,,,,,,,,,,  
6-1,2,,172478-03121,, "LABEL,OIL & WATER",,1,,,,,N,,,,,72478121,M/#20613,,,,,,,,,,,,,I  
7,2,,172478-03130,, "LABEL,GREASE FEED",,1,,,,,,,,,,,,,  
8,2,,172146-03140,,LABEL,,1,,,,,,,,,,,,,  
9,2,,172478-03140,, "LABEL,MODEL L",,1,,,,,,,,,,,,,  
10,2,,172478-03150,, "LABEL,MODEL R",,1,,,,,,,,,,,,,  
11,2,,172187-03160,, "LABEL, BOOM",,1,,,,,,,,,,,,,  
12,2,,172478-03160,, "LABEL,REAR",,1,,,,,,,,,,,,,  
13,2,,172444-03170,,LABEL,,1,,,,,,,,,,,,,  
14,2,,172455-03170,, "LABEL,FUSE",,1,,,,,,,,,,,,,  
14-1,2,,172455-03171,, "LABEL, HUSE",,1,,,,,N,,,,,72478121,M/#20613,,,,,,,,,,,,,I  
15,2,,172444-03180,,LABEL,,2,,,,,,,,,,,,,  
16,2,,172478-03180,, "LABEL,LIFTING",,1,,,,,,,,,,,,,  
17,2,,172444-03190,,LABEL,,1,,,,,,,,,,,,,  
18,2,,172458-03190,, "LABEL,OILING",,1,,,,,,,,,,,,,  
19,2,,172141-03202,, "LABEL,CAUTION",,1,,,,,,,,,,,,,  
20,2,,172450-03200,, "LABEL,BATTERY",,1,,,,,,,,,,,,,  
21,2,,172147-03210,, "LABEL,2 SPEED",,1,,,,,724600328,,724600328,,,,,,,,,,,,,I  
22,2,,172444-03210,,LABEL,,1,,,,,,,,,,,,,  
23,2,,172444-03220,,LABEL,,1,,,,,,,,,,,,,  
24,2,,172458-03220,, "LABEL,ACCELERATOR",,1,,,,,,,,,,,,,  
25,2,,172478-03220,, "LABEL,L",,1,,,,,,,,,,,,,  
26,2,,172444-03230,,LABEL,,1,,,,,,,,,,,,,  
27,2,,172444-03240,,LABEL,,1,,,,,,,,,,,,,  
28,2,,172173-03250,,LABEL,,1,,,,,,,,,,,,,  
29,2,,172183-03250,, "LABEL,FUEL",,1,,,,,,,,,,,,,  
30,2,,172524-03271,,LABEL,,1,,,,,,,,,,,,,  
31,2,,172183-03280,, "LABEL, LOCK",,1,,,,,,,,,,,,,  
32,2,,172444-03280,,LABEL,,2,,,,,,,,,,,,,  
33,2,,172142-03302,, "LABEL,CAUTION",,1,,,,,,,,,,,,,  
34,2,,172455-03340,,LABEL,,1,,,,,,,,,,,,,  
35,2,,172141-03360,, "LABEL, START SWITCH",,1,,,,,,,,,,,,,  
36,2,,172964-03370,,LABEL,,1,,,,,,,,,,,,,  
37,2,,172149-03430,,LABEL,,1,,,,,,,,,,,,,  
38,2,,172964-03481,, "LABEL,DANGER",,1,,,,,,,,,,,,,  
39,2,,172164-03510,, "LABEL,LOADING",,1,,,,,,,,,,,,,  
40,2,,172437-03510,, "LABEL,HOOK",,3,,,,,,,,,,,,,  
41,2,,172164-03520,, "LABEL,DANGER",,1,,,,,,,,,,,,,  
42,2,,172164-03540,,LABEL,,1,,,,,,,,,,,,,  
43,2,,172519-04180,, "LABEL,WARNING",,1,,,,,,,,,,,,,  
44,2,,172519-04290,, "LABEL,WARNING",,1,,,,,,,,,,,,,  
45,2,,121470-44540,, "LABEL, SUB-TANK",,1,,,,,,,,,,,,,  
46,2,,172478-03210,, "LABEL,PATTERN B",,1,,,,,,,,,,,,,I  
47,2,,172478-03250,, "LABEL,NOISE",,1,,,,,,,,,,,,,I  
48,2,,172478-03260,, "LABEL,PATTERN D",,1,,,,,,,,,,,,,I  
49,2,,172458-03550,,LABEL,,1,,,,,,,,,,,,,I  
50,2,,172458-03560,,LABEL,,1,,,,,,,,,,,,,I  
51,2,,172458-03570,,LABEL,,1,,,,,,,,,,,,,I  
52,2,,172458-03270,,LABEL,,1,,,,,,,,,,,,,I

見出しNo. 1は  
見出しNo. 2から52を含みます  
1 inc. 2~52

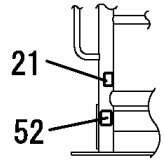


(A)カラ見ル  
VIEWED FROM (A)

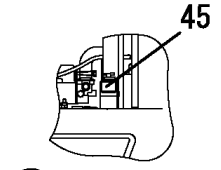
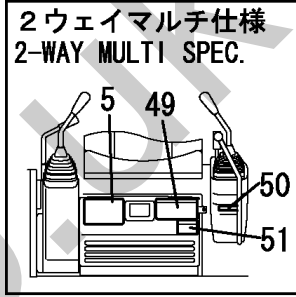
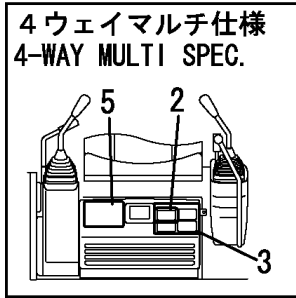
(B)カラ見ル  
VIEWED FROM (B)



(C)カラ見ル  
VIEWED FROM (C)

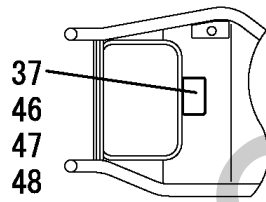
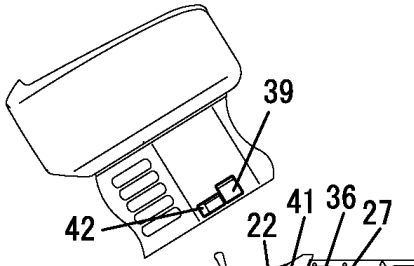


(D)カラ見ル  
VIEWED FROM (D)

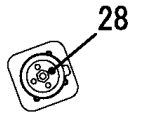


(E)カラ見ル  
VIEWED FROM (E)

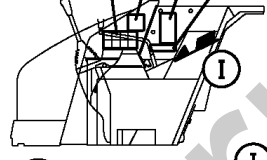
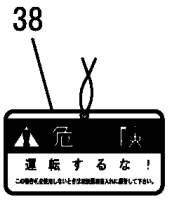
(F)カラ見ル  
VIEWED FROM (F) リザーバタンク部詳細  
DETAILS OF  
HYD. OIL TANK



(G)カラ見ル  
VIEWED FROM (G)

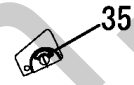


(J)部詳細  
DETAILS OF (J)

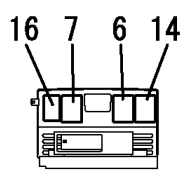


(H)カラ見ル  
VIEWED FROM (H)

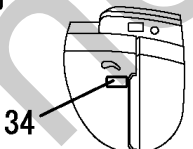
(I)カラ見ル  
VIEWED FROM (I)



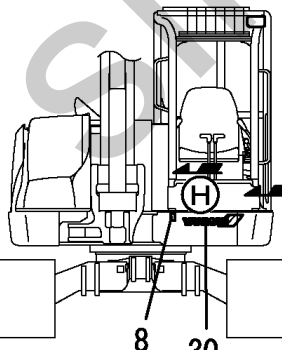
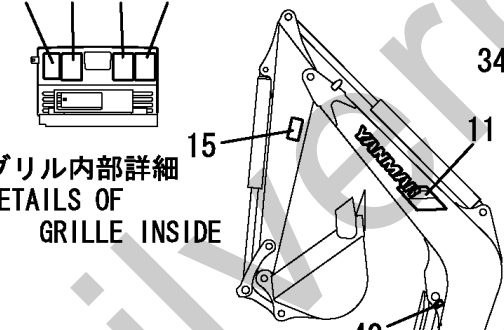
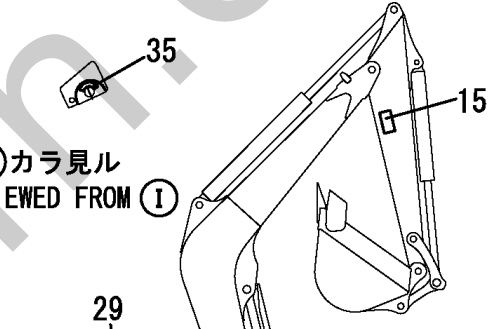
取説収納庫在中  
IN THE OPERATION  
MANUAL CASE



グリル内部詳細  
DETAILS OF  
GRILLE INSIDE

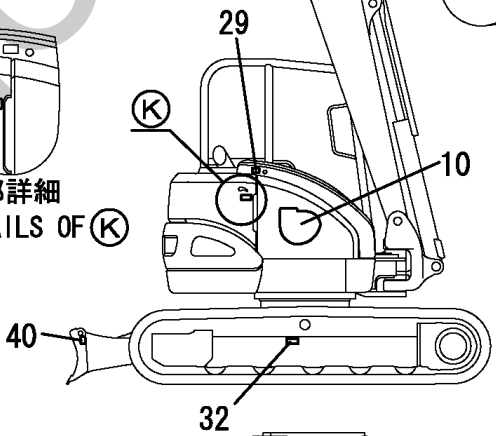


(K)部詳細  
DETAILS OF (K)

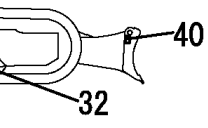
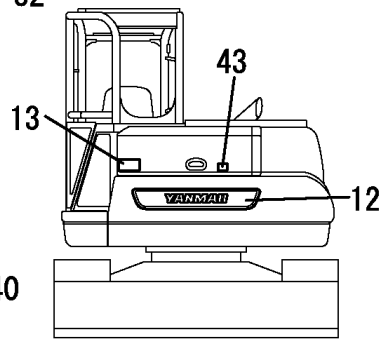


(L)カラ見ル  
VIEWED FROM (L)

機体No. 機関No. 打刻位置  
MACHINE SERIAL No.  
ENGINE No. IS STAMPED  
INTO THIS LOCATION.



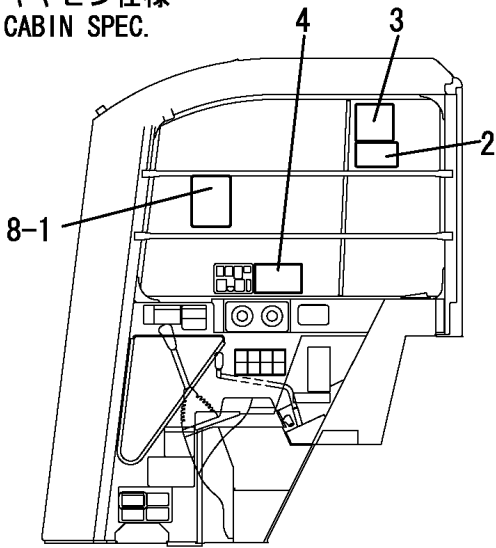
(K)部詳細  
DETAILS OF (K)



1,1,,772478-03510,, "LABEL SET,VIO70-2 CR",1,1,,,,,,,,,,,,,  
1-1,1,,772478-03511,, "LABEL SET,VIO70-2  
CR",1,1,,,,,N,,72457042,M/#20557,72457042,M/#20557,,,,,,,,,I  
2,2,,172425-03350,, LABEL,2,2,,,,,,,,,,,,,  
3,2,,172187-03721,, LABEL,1,1,,,,,,,,,,,,,  
4,2,,172478-03740,, "LABEL,LOAD",1,1,,,,,1,,,,,,,,,  
5,2,,172478-03750,, "LABEL,LOAD P",1,1,,,,,2,,,,,,,,,  
6,2,,172187-03750,, LABEL,1,1,,,,,,,,,,,,,  
7,2,,172187-03760,, LABEL,1,1,,,,,,,,,,,,,  
8,2,,172187-03781,, LABEL,1,1,,,,,,,,,,,,,  
8-1,2,,172478-  
03780,, LABEL,1,1,,,,,N,,72478060,M/#20557,72478060,M/#20557,,,,,,,,,I  
11,1,,172187-03160,, "LABEL, BOOM",1,1,,,,,,,,,,,,,I

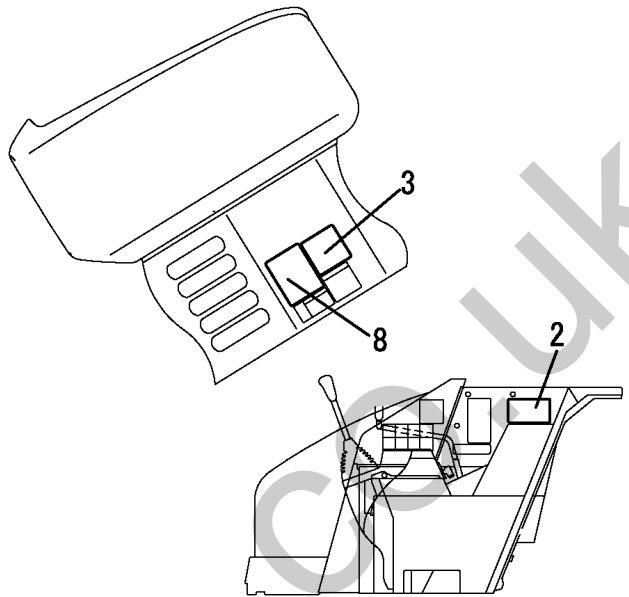
Silverhorn.CO.UK

キャビン仕様  
CABIN SPEC.

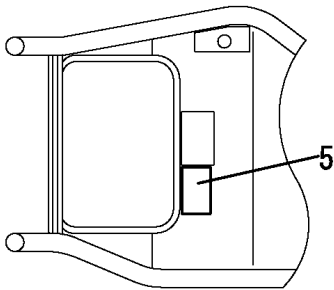


キャビン内部詳細  
DETAILS OF  
CABIN INSIDE

見出しNo. 1は  
見出しNo. 2から8を含みます  
1 inc. 2~8



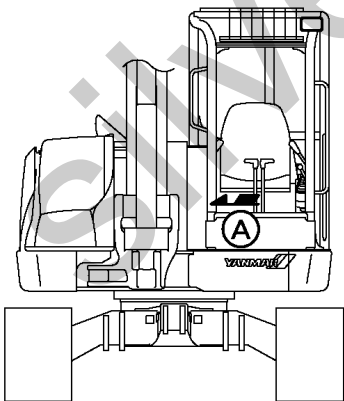
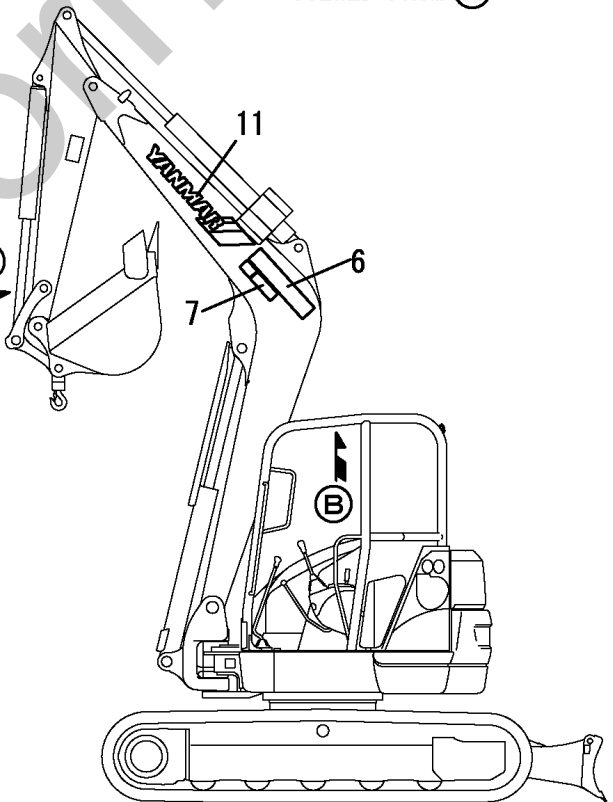
Ⓐカラ見ル  
VIEWED FROM Ⓐ



Ⓑカラ見ル  
VIEWED FROM Ⓑ



Ⓒカラ見ル  
VIEWED FROM Ⓒ



172478-08550

クレーンキット(キャビン)は、項目136を参照下さい。  
CRANE KIT(CABIN) is shown in Fig. 136.

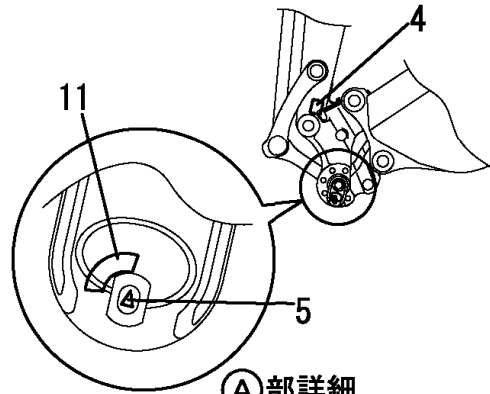
172478-08560

クレーンキット(キャノピ)は、項目136を参照下さい。  
CRANE KIT(CANOPY) is shown in Fig. 136.

1,1,,772978-03100,, "LABEL SET,VIO70-2 Q",1,,1,,,,,,,,,,,,,,,,,,,,,I  
2,2,,172958-03100,, LABEL,1,,1,,,,,,,,,,,,,,,,,,,,,I  
3,2,,172958-03110,, LABEL,1,,1,,,,,,,,,,,,,,,,,,,,,I  
4,2,,172958-03140,, LABEL,1,,1,,,,,,,,,,,,,,,,,,,,,I  
5,2,,172958-03160,, LABEL,1,,1,,,,,,,,,,,,,,,,,,,,,I  
6,2,,172958-03170,, LABEL,1,,1,,,,,,,,,,,,,,,,,,,,,I  
7,2,,172958-03180,, LABEL,1,,1,,,,,,,,,,,,,,,,,,,,,I  
8,2,,172958-03190,, LABEL,1,,1,,,,,,,,,,,,,,,,,,,,,I  
9,2,,172958-03220,, LABEL,1,,1,,,,,,,,,,,,,,,,,,,,,I  
10,2,,172958-03230,, "LABEL,PIN",1,,1,,,,,,,,,,,,,,,,,,,,,I  
11,2,,172458-03240,, "LABEL,LOCK",1,,1,,,,,,,,,,,,,,,,,,,,,I

Silverhorn.CO.UK

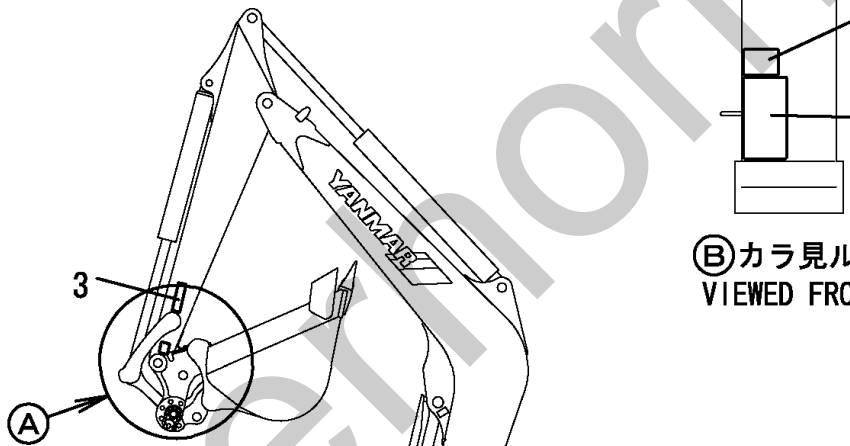
見出しNo. 1は  
見出しNo. 2から11を含みます  
1 inc. 2~11



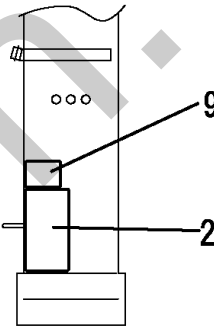
Ⓐ部詳細  
DETAILS OF Ⓐ



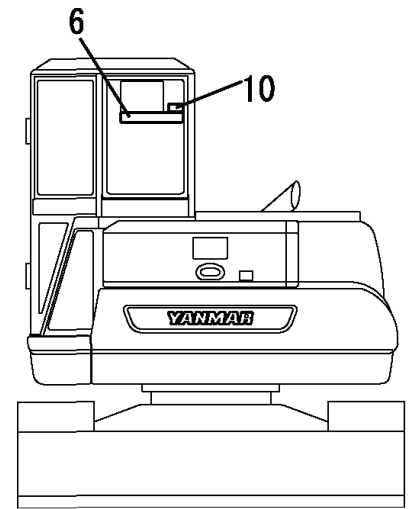
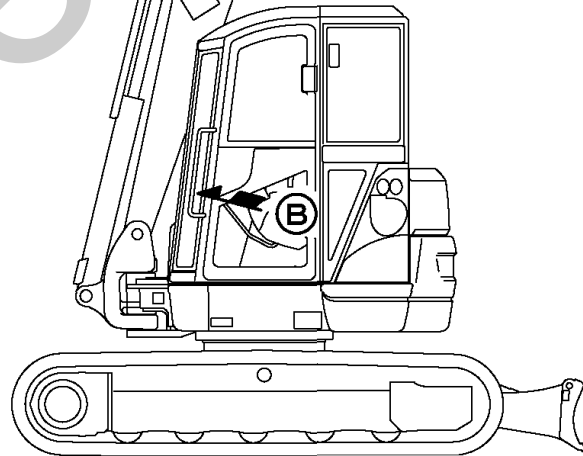
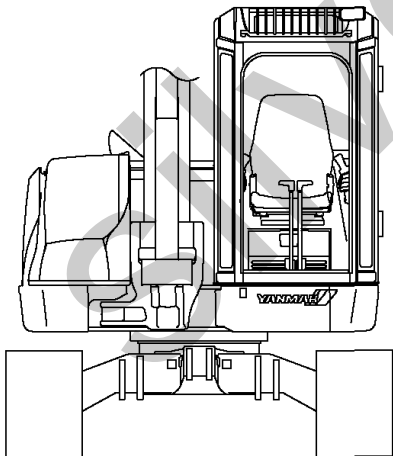
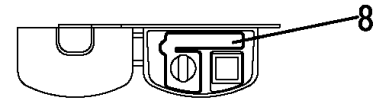
スイッチBOX詳細  
DETAILS OF SWITCH BOX



Ⓑカラ見ル  
VIEWED FROM Ⓑ

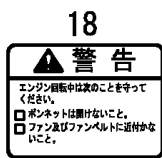
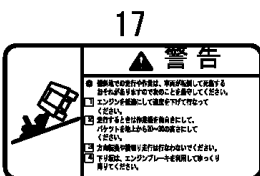
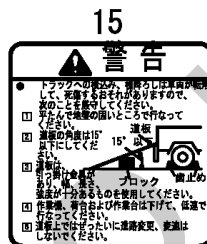
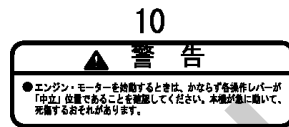
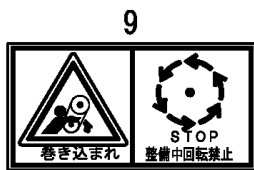
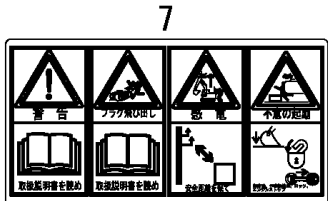
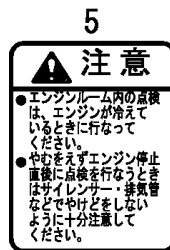
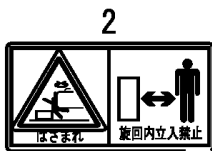


スイッチBOX内側詳細  
DETAILS OF SWITCH BOX INSIDE

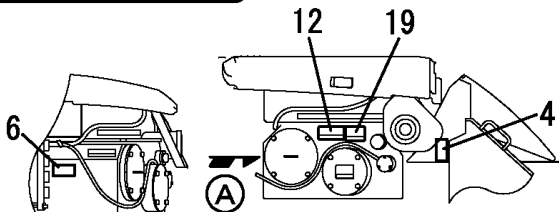
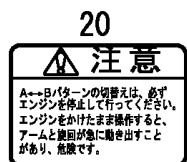
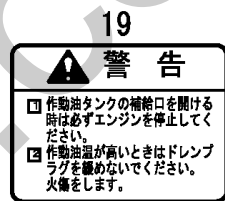


1,1,,172445-03211,,LABEL,1,,,,,,,,,,,,,,,,,,,,,  
2,1,,172444-03170,,LABEL,1,,,,,,,,,,,,,,,,,,,,,  
3,1,,172444-03180,,LABEL,2,,,,,,,,,,,,,,,,,,,,,  
4,1,,172444-03190,,LABEL,1,,,,,,,,,,,,,,,,,,,,,  
5,1,,172141-03202,, "LABEL,CAUTION",1,,,,,,,,,,,,,  
6,1,,172450-03200,, "LABEL,BATTERY",1,,,,,,,,,,,,,  
7,1,,172444-03210,,LABEL,1,,,,,,,,,,,,,,,,,,,,,  
8,1,,172444-03220,,LABEL,1,,,,,,,,,,,,,,,,,,,,,  
9,1,,172444-03230,,LABEL,1,,,,,,,,,,,,,,,,,,,,,  
10,1,,172444-03240,,LABEL,1,,,,,,,,,,,,,,,,,,,,,  
11,1,,172444-03280,,LABEL,2,,,,,,,,,,,,,,,,,,,,,  
12,1,,172142-03302,, "LABEL,CAUTION",1,,,,,,,,,,,,,  
13,1,,172964-03370,,LABEL,1,,,,,,,,,,,,,,,,,,,,,  
14,1,,172964-03481,, "LABEL,DANGER",1,,,,,,,,,,,,,  
15,1,,172164-03510,, "LABEL,LOADING",1,,,,,,,,,,,,,  
16,1,,172164-03520,, "LABEL,DANGER",1,,,,,,,,,,,,,  
17,1,,172164-03540,,LABEL,1,,,,,,,,,,,,,,,,,,,,,  
18,1,,172519-04180,, "LABEL,WARNING",1,,,,,,,,,,,,,  
19,1,,172519-04290,, "LABEL,WARNING",1,,,,,,,,,,,,,  
20,1,,172458-03570,,LABEL,1,,,,,,,,,,,,,,,,,,,,,

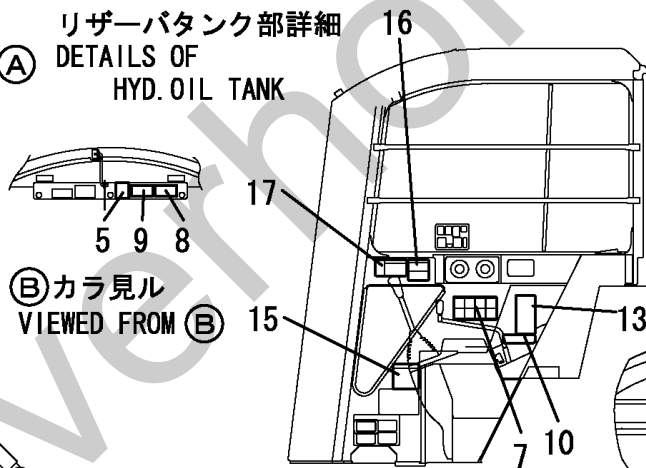
Silverhorn.CO.UK



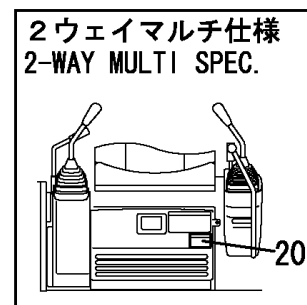
取説収納庫在中  
IN THE OPERATION  
MANUAL CASE



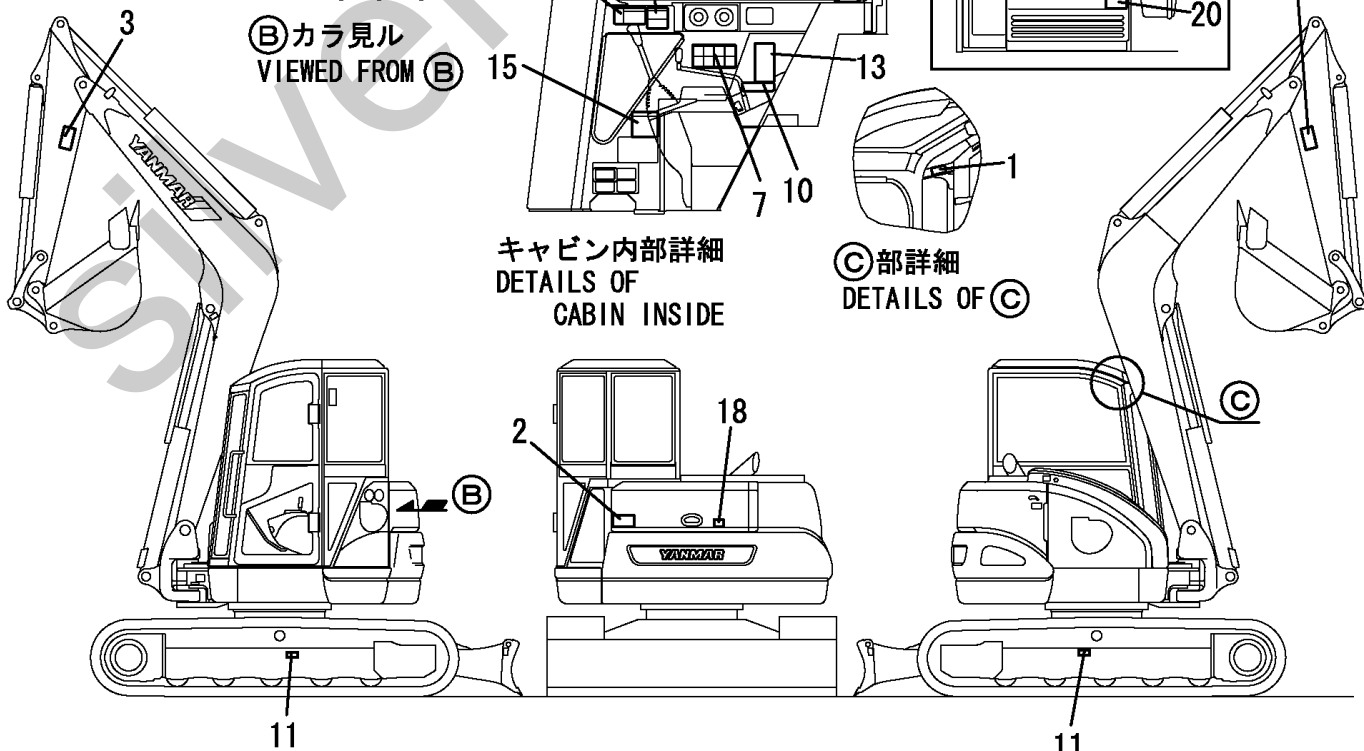
①カラ見 リザーバタンク部詳細  
VIEWED FROM ① DETAILS OF  
HYD. OIL TANK



②カラ見 キャビン内部詳細  
VIEWED FROM ② DETAILS OF  
CABIN INSIDE



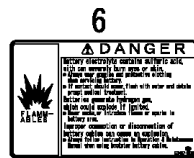
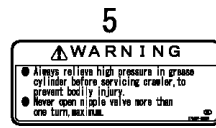
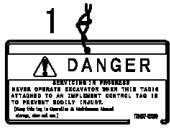
③部詳細  
DETAILS OF ③



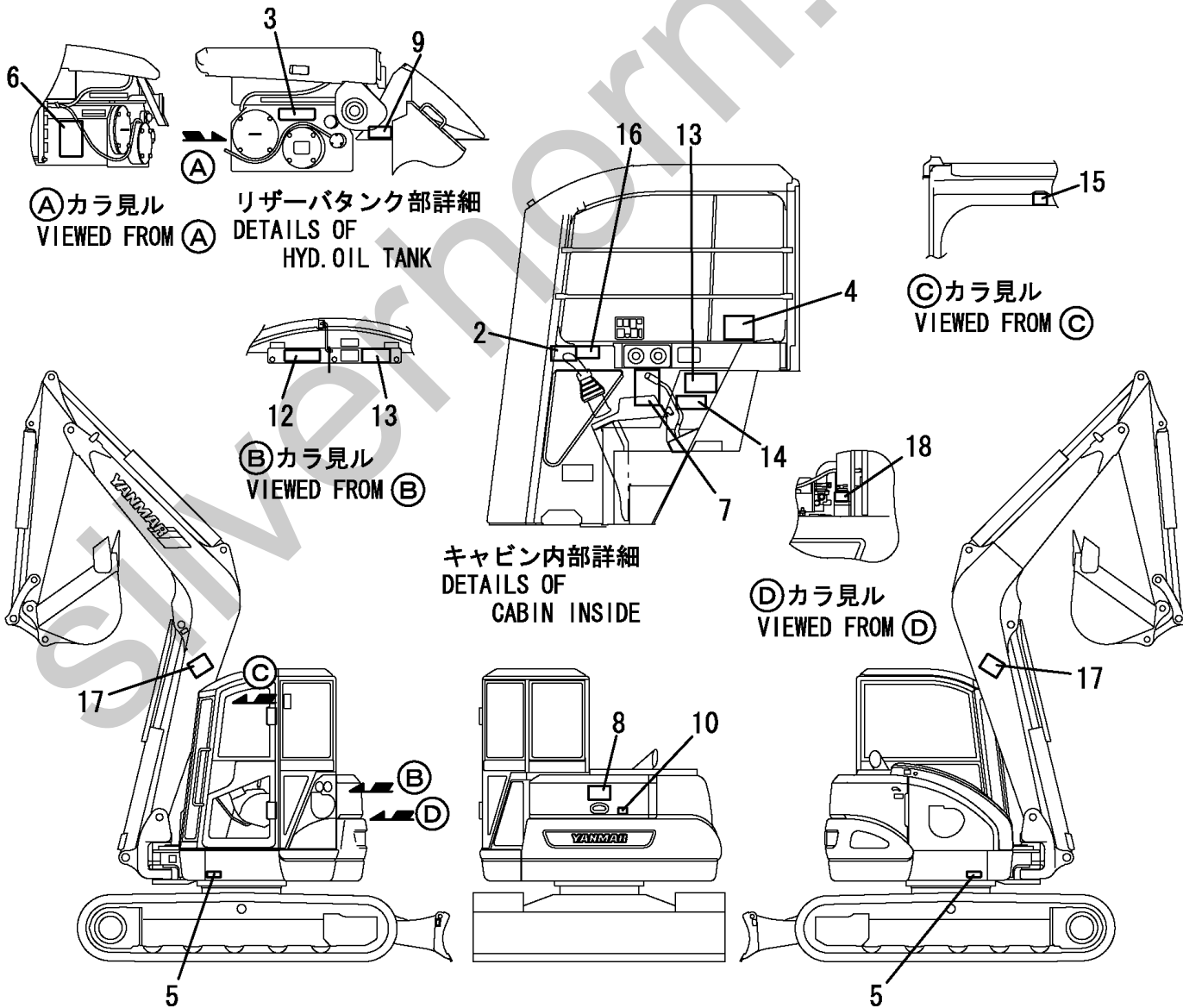
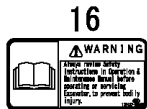
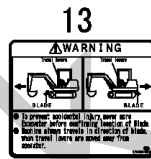
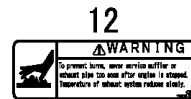
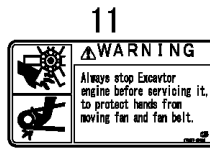
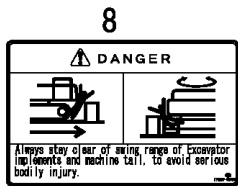
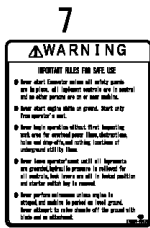


1,1,,172437-03250,, "TAG,SERVICING ASSY",,,1,,,,,,,,,,,,,,,,,,,,,I  
2,1,,172437-03310,, "LABEL,SLOPE",,,1,,,,,,,,,,,,,,,,,,,,,I  
3,1,,172437-03320,, "LABEL,HYD.OIL TANK",,,1,,,,,,,,,,,,,,,,,,,,,I  
4,1,,172437-03340,, "LABEL,TRANSPORT",,,1,,,,,,,,,,,,,,,,,,,,,I  
5,1,,172437-03351,, "LABEL,GREASE CYL.",,,2,,,,,,,,,,,,,,,,,,,,,I  
6,1,,172437-03360,, "LABEL,BATTERY",,,1,,,,,,,,,,,,,,,,,,,,,I  
7,1,,172437-03371,, LABEL,,,1,,,,,,,,,,,,,,,,,,,,,I  
8,1,,172437-03380,, "LABEL,SWING AREA",,,1,,,,,,,,,,,,,,,,,,,,,I  
9,1,,172437-03390,, "LABEL,RADIATOR",,,1,,,,,,,,,,,,,,,,,,,,,I  
10,1,,172437-03400,, "LABEL,ENG.HOOD",,,1,,,,,,,,,,,,,,,,,,,,,I  
11,1,,172437-03410,, "LABEL,ENG.ROOM",,,1,,,,,,,,,,,,,,,,,,,,,I  
12,1,,172437-03421,, "LABEL,MUFFLER",,,1,,,,,,,,,,,,,,,,,,,,,I  
13,1,,172437-03431,, "LABEL,STEERING",,,1,,,,,,,,,,,,,,,,,,,,,I  
14,1,,172437-03470,, "LABEL,LEVER LOCK",,,1,,,,,,,,,,,,,,,,,,,,,I  
15,1,,172437-03550,, "LABEL,WINDOW",,,1,,,,,,,,,,,,,,,,,,,,,I  
16,1,,172448-03600,, "LABEL,MANUAL US",,,1,,,,,,,,,,,,,,,,,,,,,I  
17,1,,172187-03940,, "LABEL,BOOM",,,2,,,,,,,,,,,,,,,,,,,,,I  
18,1,,124764-44810,, "LABEL, SUB-TANK",,,1,,,,,,,,,,,,,,,,,,,,,I

Silverhorn.CO.UK



取説収納庫在中  
IN THE OPERATION  
MANUAL CASE



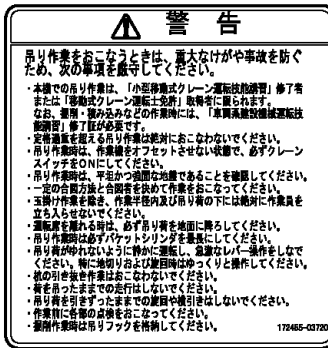
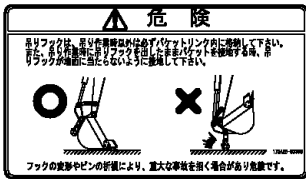
1,1,,172444-03170,,LABEL,,1,,,,,,,,,,,,,,,,,,,,,  
2,1,,172444-03180,,LABEL,,2,,,,,,,,,,,,,,,,,,,,,  
3,1,,172444-03190,,LABEL,,1,,,,,,,,,,,,,,,,,,,,,  
4,1,,172141-03202,, "LABEL,CAUTION" ,,1,,,,,,,,,,,,,,,,,,,,,  
5,1,,172450-03200,, "LABEL,BATTERY" ,,1,,,,,,,,,,,,,,,,,,,,,  
6,1,,172444-03210,,LABEL,,1,,,,,,,,,,,,,,,,,,,,,  
7,1,,172444-03220,,LABEL,,1,,,,,,,,,,,,,,,,,,,,,  
8,1,,172444-03230,,LABEL,,1,,,,,,,,,,,,,,,,,,,,,  
9,1,,172444-03240,,LABEL,,1,,,,,,,,,,,,,,,,,,,,,  
10,1,,172444-03280,,LABEL,,2,,,,,,,,,,,,,,,,,,,,,  
11,1,,172142-03302,, "LABEL,CAUTION" ,,1,,,,,,,,,,,,,,,,,,,,,  
12,1,,172964-03370,,LABEL,,1,,,,,,,,,,,,,,,,,,,,,  
13,1,,172964-03481,, "LABEL,DANGER" ,,1,,,,,,,,,,,,,,,,,,,,,  
14,1,,172164-03510,, "LABEL,LOADING" ,,1,,,,,,,,,,,,,,,,,,,,,  
15,1,,172164-03520,, "LABEL,DANGER" ,,1,,,,,,,,,,,,,,,,,,,,,  
16,1,,172164-03540,,LABEL,,1,,,,,,,,,,,,,,,,,,,,,  
17,1,,172519-04180,, "LABEL,WARNING" ,,1,,,,,,,,,,,,,,,,,,,,,  
18,1,,172519-04290,, "LABEL,WARNING" ,,1,,,,,,,,,,,,,,,,,,,,,  
19,1,,172458-03570,,LABEL,,1,,,,,,,,,,,,,,,,,,,,,I

Silverhorn.CO.UK

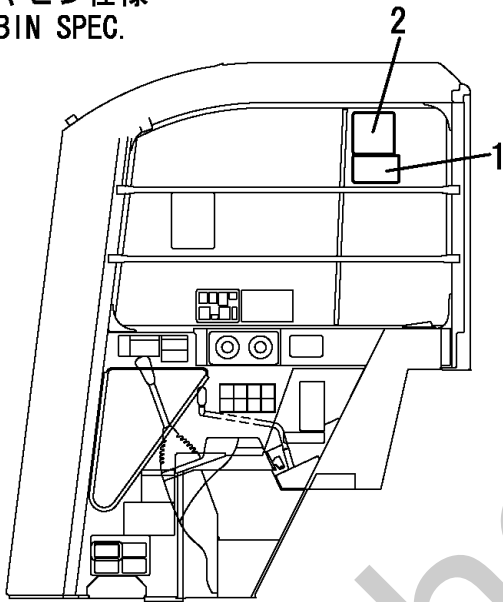


1,1,,172425-03350,,LABEL,2,2,,,,,,,,,,,,,  
2,1,,172187-03721,,LABEL,1,1,,,,,,,,,,,,,

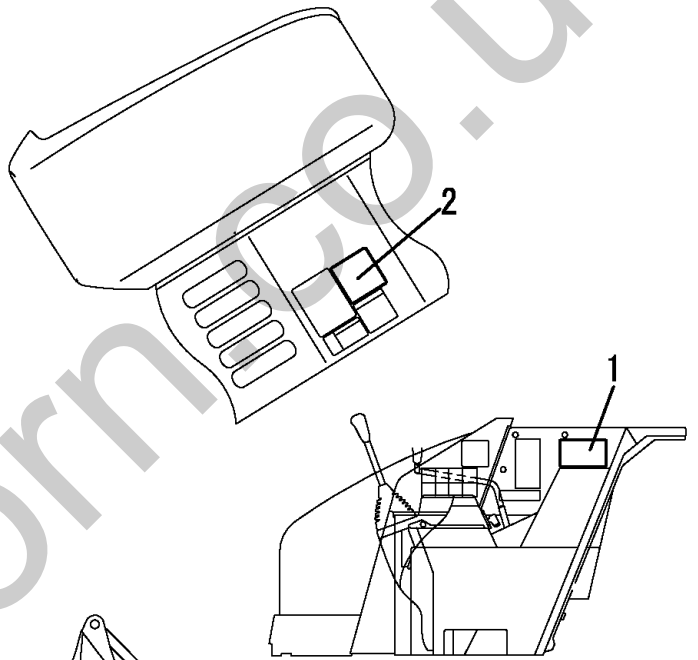
Silverhorn.CO.UK



キャビン仕様  
CABIN SPEC.



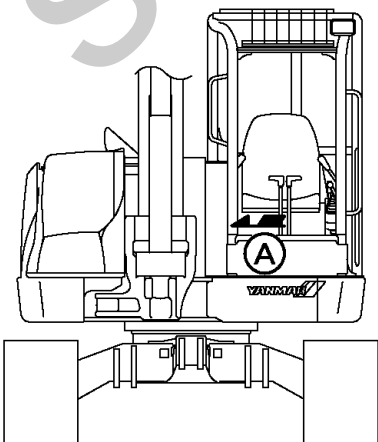
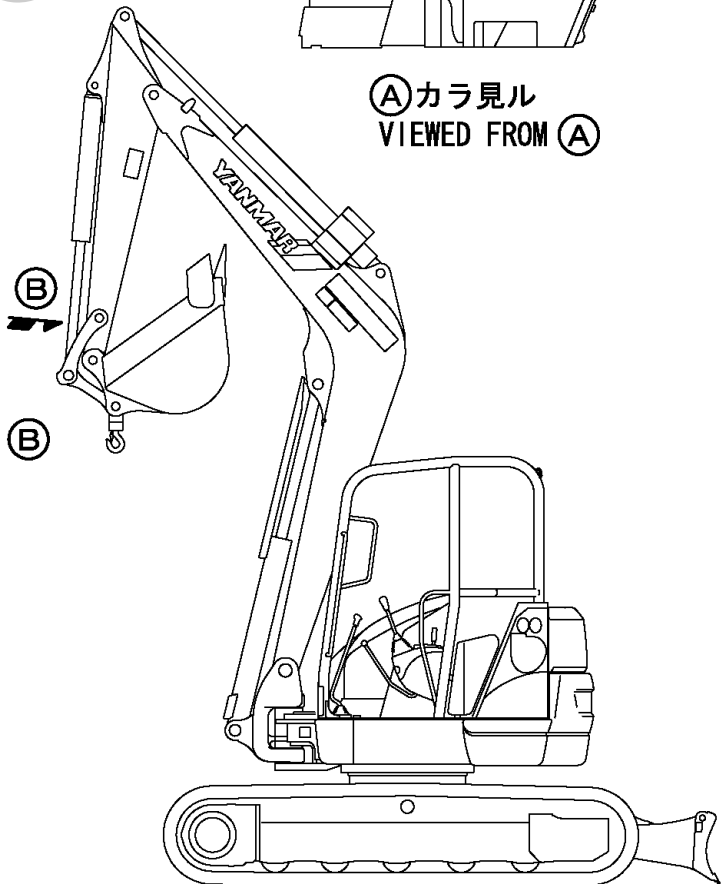
キャビン内部詳細  
DETAILS OF  
CABIN INSIDE



①カラ見ル  
VIEWED FROM ①



②カラ見ル  
VIEWED FROM ②



1,1,,172958-03100,,LABEL,1,,1,,,,,,,,,,,,,,,,,,,,,I  
2,1,,172958-03140,,LABEL,1,,1,,,,,,,,,,,,,,,,,,,,,I  
3,1,,172958-03220,,LABEL,1,,1,,,,,,,,,,,,,,,,,,,,,I  
4,1,,172958-03230,, "LABEL,PIN",1,,1,,,,,,,,,,,,,,,,,,,,,I


Silverhorn.CO.UK

1


**警告**

重大なケガや事故を防ぐために次の事項を厳守してください。


- クイックヒッチを操作するときは必ずアタッチメントを接地させてから行ってください。



- クイックヒッチのフックでの吊り作業は絶対に行わないでください。吊り荷が落下して重大事故につながる恐れがあります。



- アタッチメント脱着防止のために安全ピンを必ず脱着してください。
- 安全ピンを脱着する時に、クイックヒッチが衝突にアタッチメントをつかんでいる事を確認してください。
- アタッチメント脱着時以外は、スイッチボックスのフタを閉めてください。故障・不意の作動につながる恐れがあります。



2

**危険**

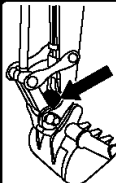
指は絶対に入れないでください。重大なケガをするおそれがあります。



3

**注意**

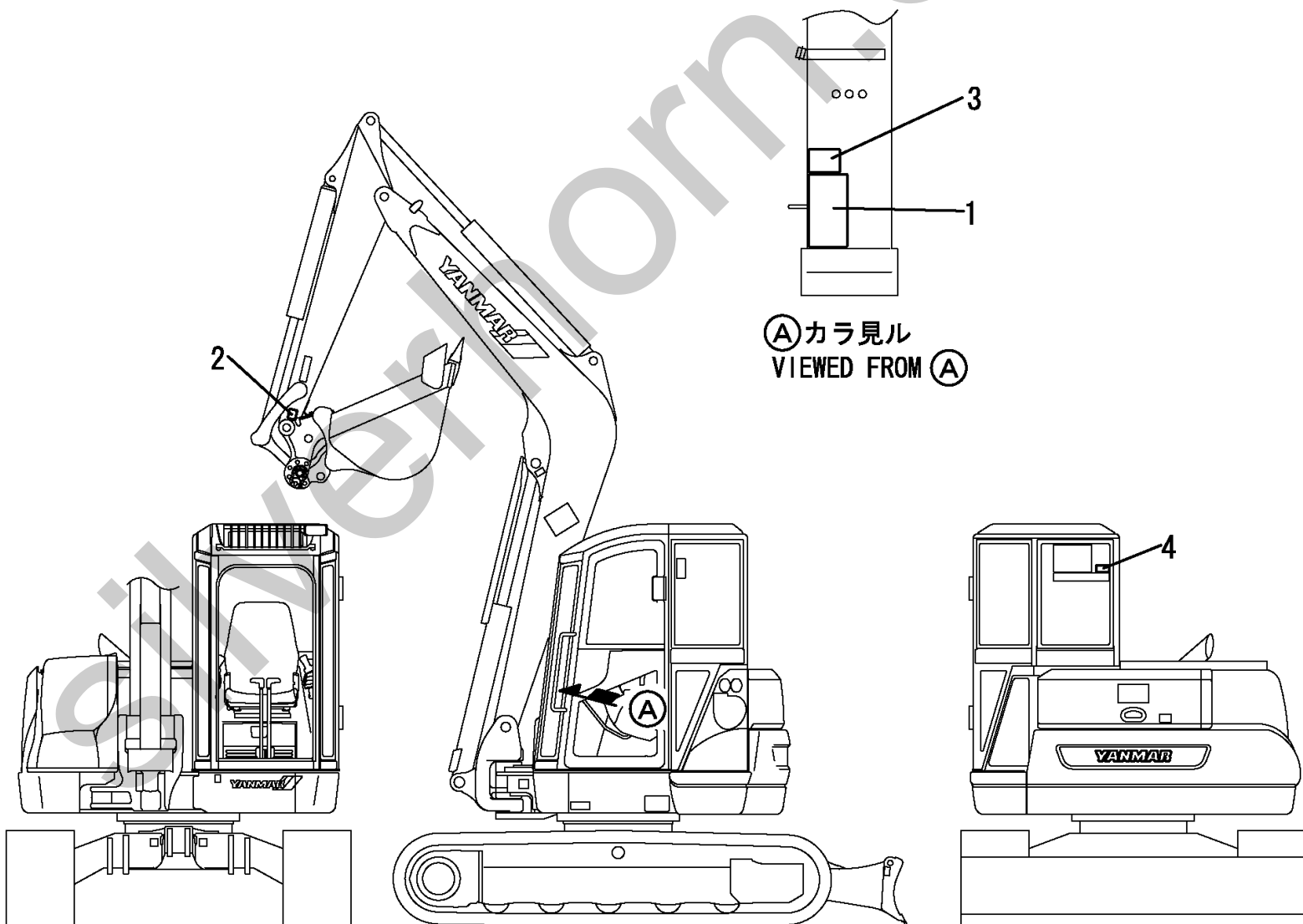
クイックヒッチ部にたまった土砂は必ず取り除いて下さい。油圧ホースが損傷するおそれがあります。



4

**注意**

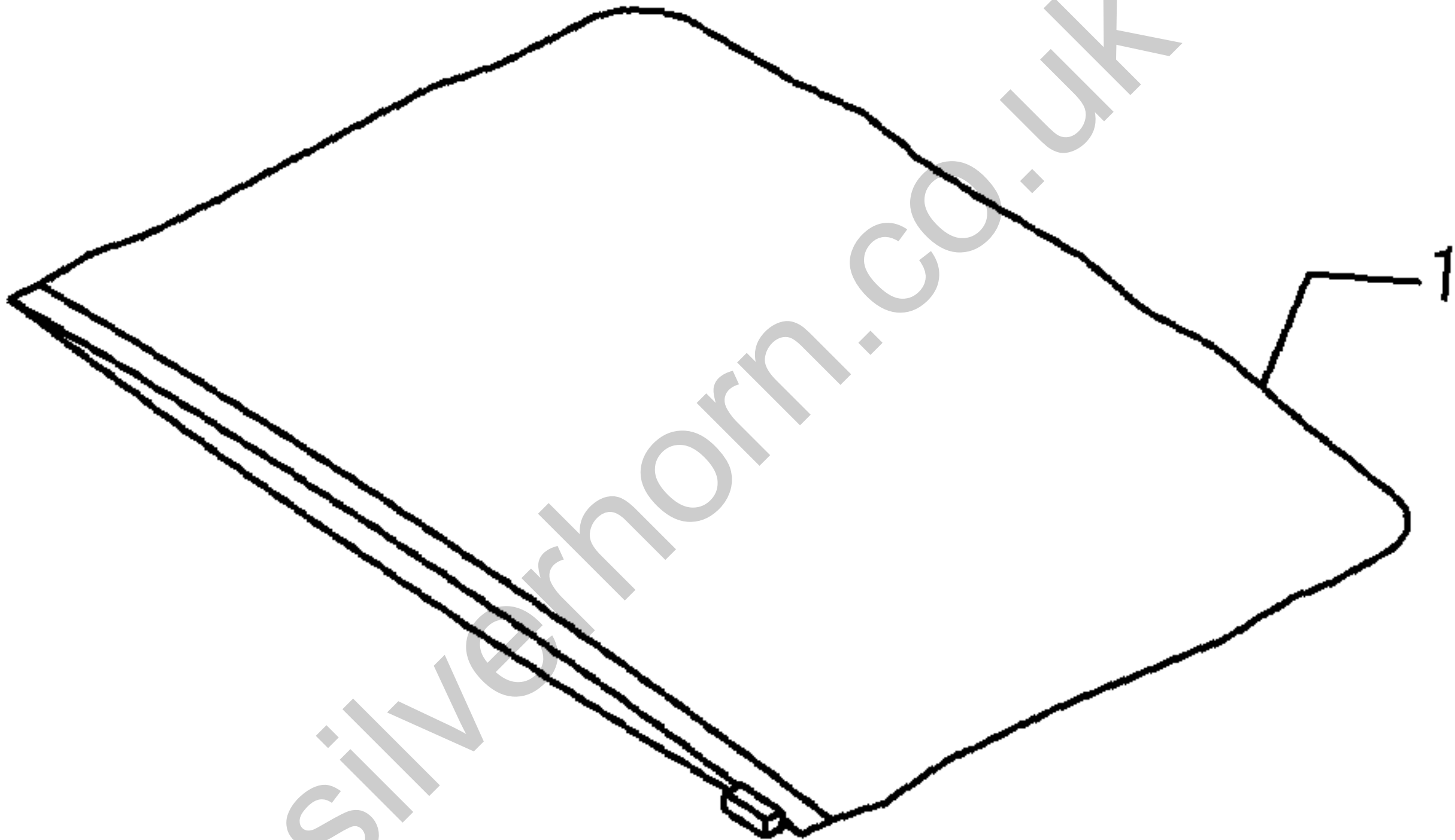
アタッチメントを交換する時は必ず安全ピンを抜いて下さい。安全ピンの変形の原因になります。



1,1,,172176-07330,, "BAG, MANUAL",1,1,,,,,,,,,,,,,,,,,,,,,

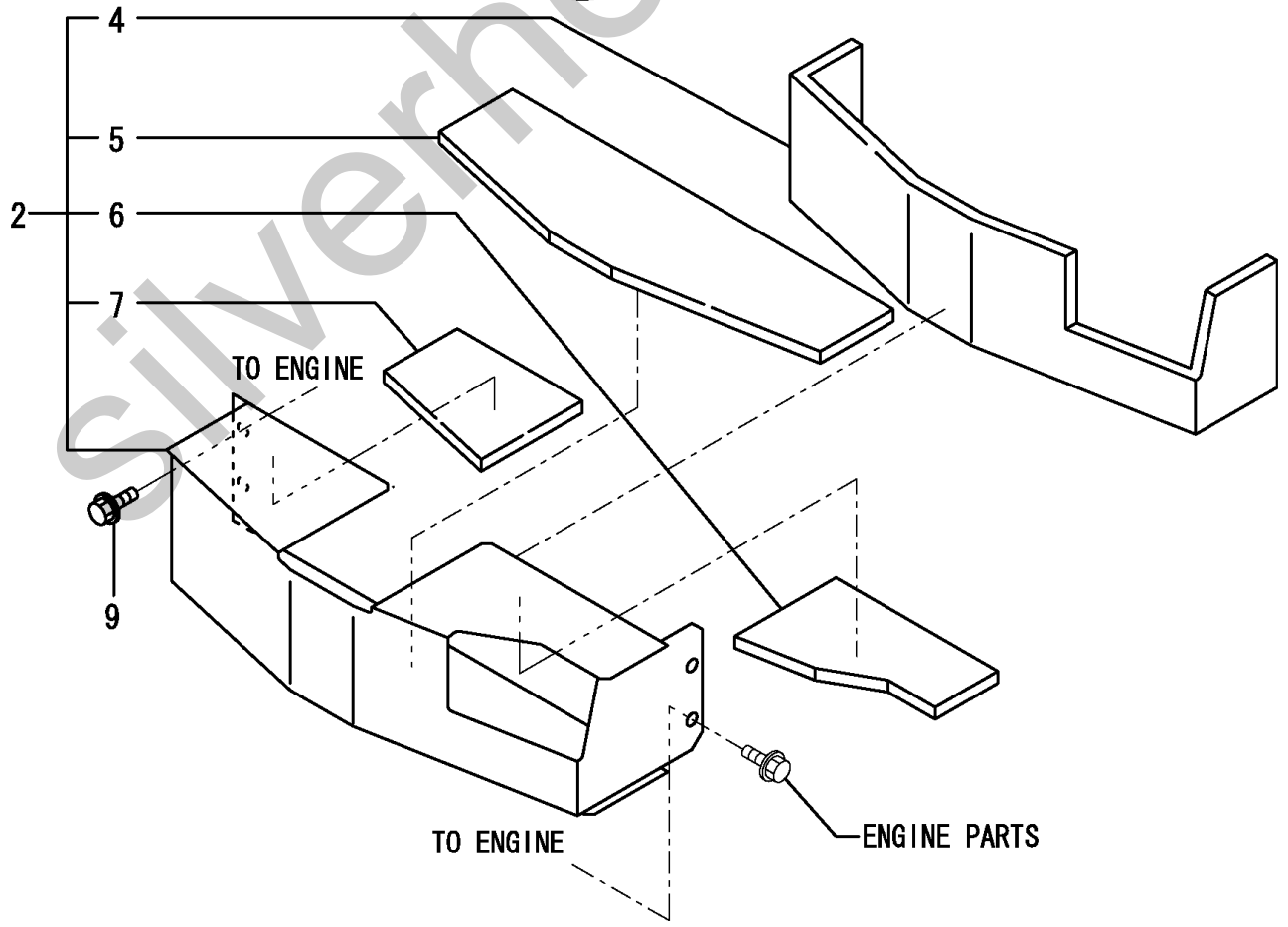
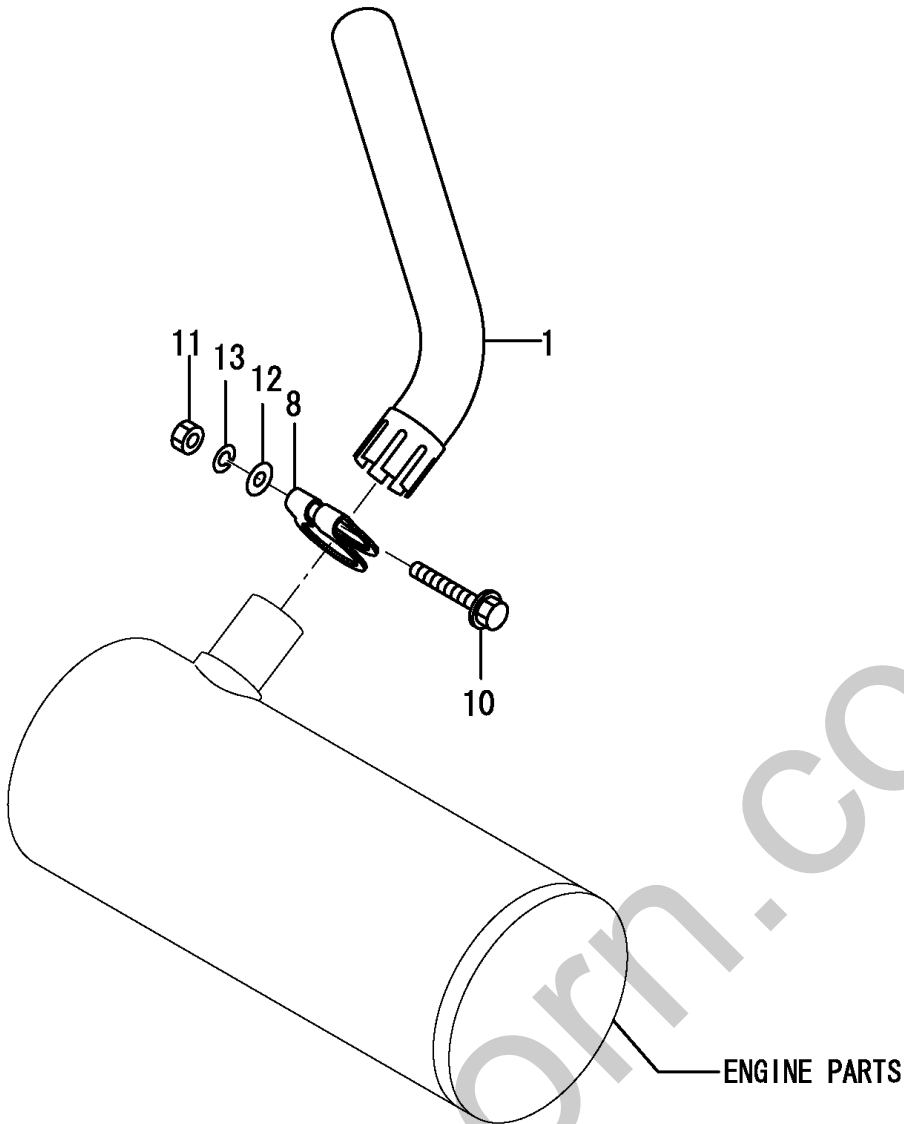
Silverhorn.CO.UK



Silverhorn.CO.UK

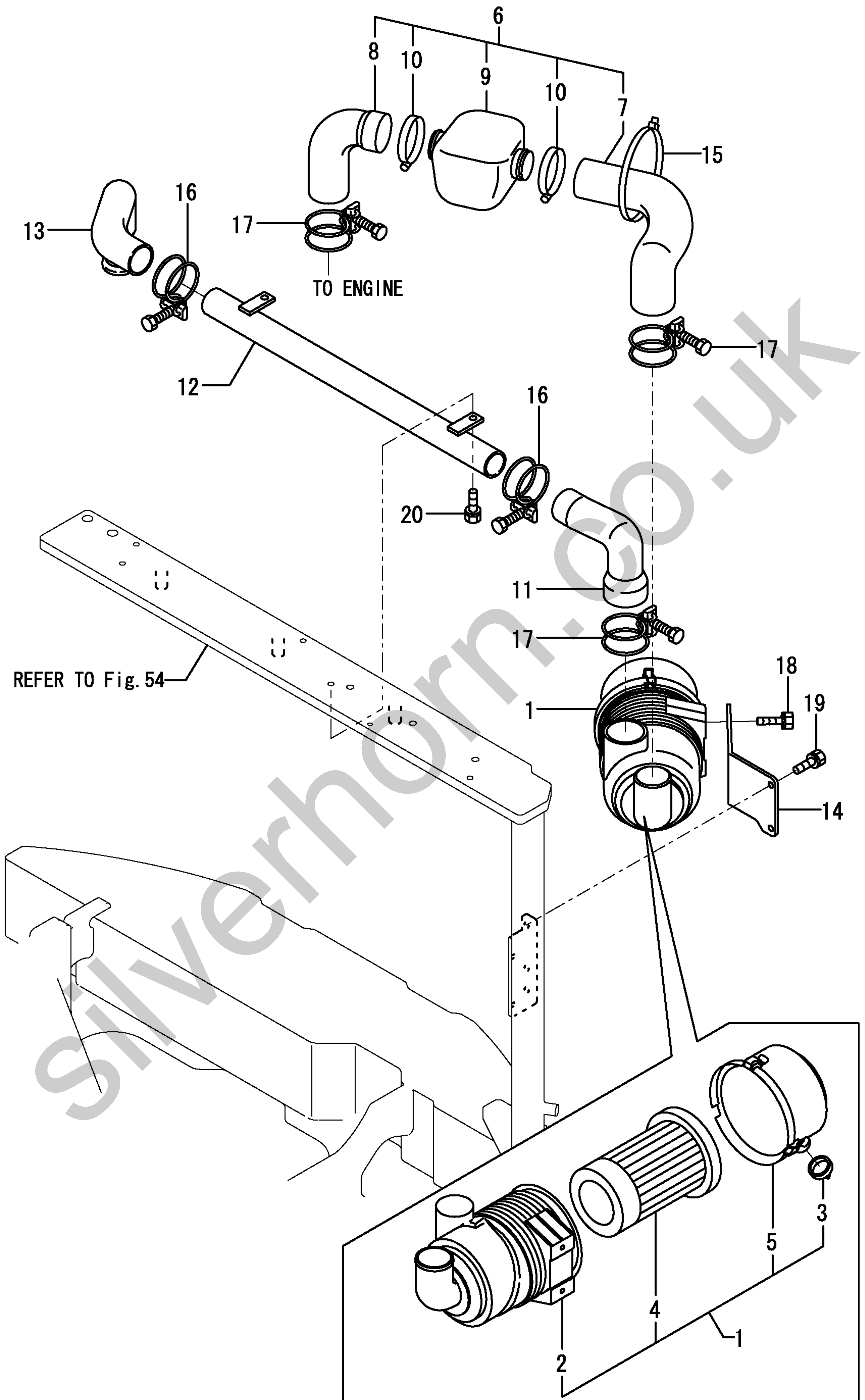
1,1,,172478-11300,, "PIPE,EXH",1,1,1,,,,,,,,,,,,,,,,,,,,,  
2,1,,172478-11500,, "COVER,MANIFOLD",1,1,1,,,,,,,,,,,,,,,,,,,,,  
4,2,,172478-11520,, "GLASS WOOL,A",1,1,1,,,,,,,,,,,,,,,,,,,,,  
5,2,,172478-11530,, "GLASS WOOL,B",1,1,1,,,,,,,,,,,,,,,,,,,,,  
6,2,,172478-11540,, "GLASS WOOL,C",1,1,1,,,,,,,,,,,,,,,,,,,,,  
7,2,,172478-11550,, "GLASS WOOL,D",1,1,1,,,,,,,,,,,,,,,,,,,,,  
8,1,,121120-13580,, CLAMP,1,1,1,,,,,,,,,,,,,,,,,,,,,  
9,1,,172519-63240,, "BOLT 8X 16",2,2,2,,,,,,,,,,,,,,,,,,,,,  
10,1,,26106-100652,, "BOLT M10X 65 PLATED",1,1,1,,,,,,,,,,,,,,,,,,,,,  
11,1,,26706-100002,, "NUT M10",1,1,1,,,,,,,,,,,,,,,,,,,,,  
12,1,,22117-100000,, "WASHER 10",1,1,1,,,,,,,,,,,,,,,,,,,,,  
13,1,,22217-100000,, "SPRING WASHER 10",1,1,1,,,,,,,,,,,,,,,,,,,,,

Silverhorn.CO.UK



1,1,,172455-11500,, "AIR CLEANER ASSY",1,1,1,,,,,,,,,,,,,  
2,2,,172455-11650,, "BODY ASSY",1,1,1,,,,,,,,,,,,,  
3,2,,119808-12540,, "VALVE, UNLOADER",1,1,1,,,,,,,,,,,,,  
4,2,,129062-12560,, ELEMENT,1,1,1,,,,,,,,,,,,,  
5,2,,129062-12570,, COVER-ASSY,1,1,1,,,,,,,,,,,,,  
6,1,,172455-11510,, "HOSE ASSY, SUC.",1,1,1,,,,,,,,,,,,,  
7,2,,172455-11520,, "HOSE, SUC. A",1,1,1,,,,,,,,,,,,,  
8,2,,172455-11530,, "HOSE, SUC. B",1,1,1,,,,,,,,,,,,,  
9,2,,119160-12060,, "SILENCER, INLET",1,1,1,,,,,,,,,,,,,  
10,2,,23000-080000,, "CLAMP 80",2,2,2,,,,,,,,,,,,,  
11,1,,172455-11540,, "HOSE, SUC. C",1,1,1,,,,,,,,,,,,,  
12,1,,172455-11550,, "PIPE, SUC.",1,1,1,,,,,,,,,,,,,  
13,1,,172455-11580,, HOSE,1,1,1,,,,,,,,,,,,,  
14,1,,172455-11601,, "BRACKET, AIR CLEANER",1,1,1,,,,,,,,,,,,,  
15,1,,172183-16560,, "CLIP 400,HOSE",1,1,1,,,,,,,,,,,,,  
16,1,,23000-070000,, "CLAMP 70",2,2,2,,,,,,,,,,,,,  
17,1,,23000-080000,, "CLAMP 80",3,3,3,,,,,,,,,,,,,  
18,1,,26013-080202,, "BOLT W/WASHER M8X20",2,2,2,,,,,,,,,,,,,  
19,1,,26013-100202,, "BOLT W/WASHER M10X20",2,2,2,,,,,,,,,,,,,  
20,1,,26013-100252,, "BOLT W/WASHER M10X25",2,2,2,,,,,,,,,,,,,

Silverhorn.CO.UK

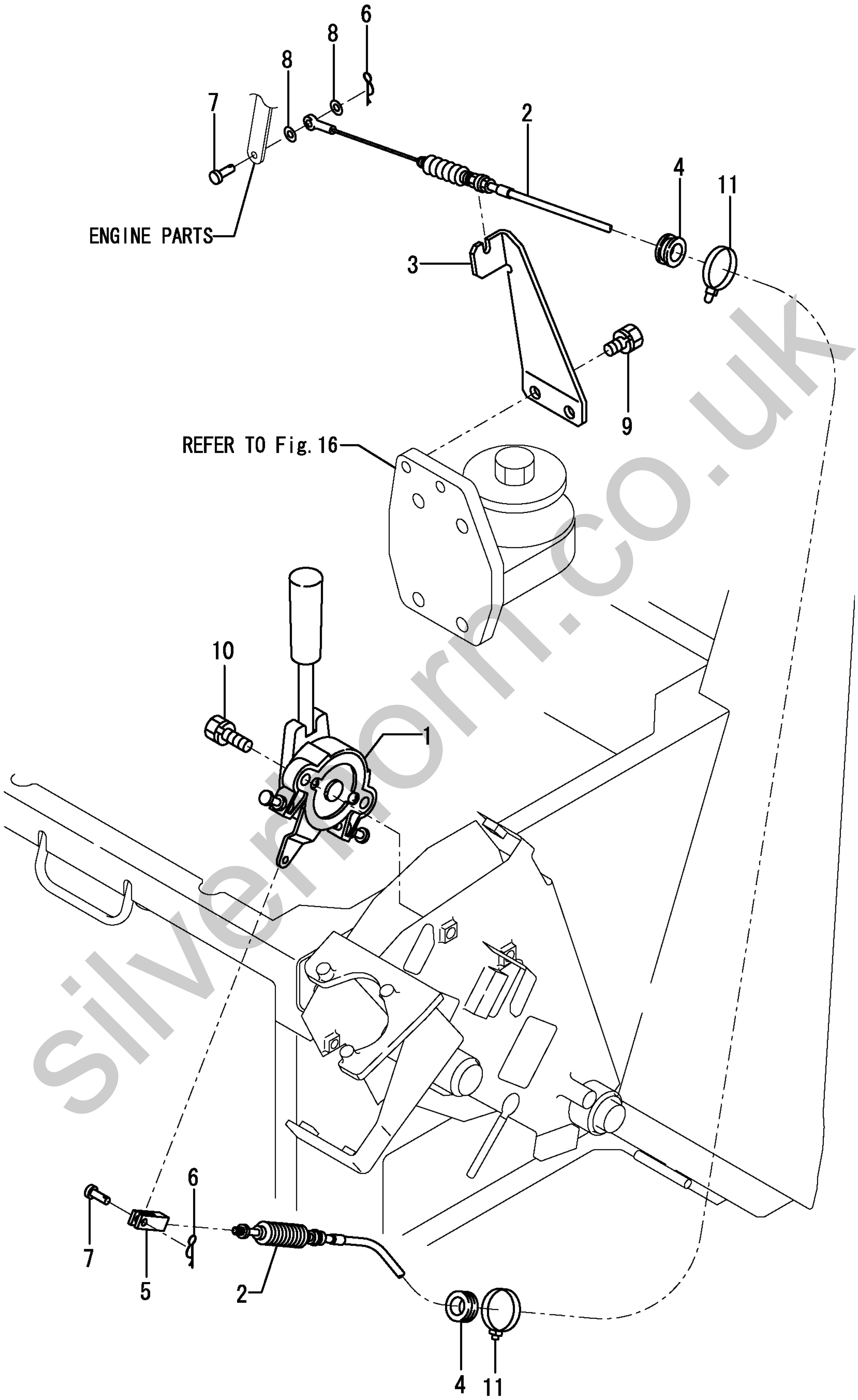


1,1,,172458-12100,, "LEVER,ACCELERATOR",1,1,1,,,,,,,,,,,,,  
2,1,,172463-12111,, "CABLE, ACCEL.",1,1,1,,,,,,,,,,,,,  
3,1,,172187-12120,, SUPPORT,1,1,1,,,,,,,,,,,,,  
4,1,,172455-12140,, GROMMET,2,2,2,,,,,,,,,,,,,  
5,1,,172137-12270,, "JOINT, CABLE",1,1,1,,,,,,,,,,,,,  
6,1,,1C6281-52310,, "PIN 6,COME-OFF SNAP",2,2,2,,,,,,,,,,,,,  
7,1,,1A1040-56900,, "PIN 6X 17",2,2,2,,,,,,,,,,,,,  
8,1,,22137-060000,, "WASHER 6, POLISHED",2,2,2,,,,,,,,,,,,,  
9,1,,26013-100162,, "BOLT M10X 16",2,2,2,,,,,,,,,,,,,  
10,1,,26013-100252,, "BOLT W/WASHER M10X25",2,2,2,,,,,,,,,,,,,  
11,1,,933168-55770,, "BAND 146",2,2,2,,,,,,,,,,,,,

Silverhorn.CO.UK

ENGINE PARTS

REFER TO Fig. 16





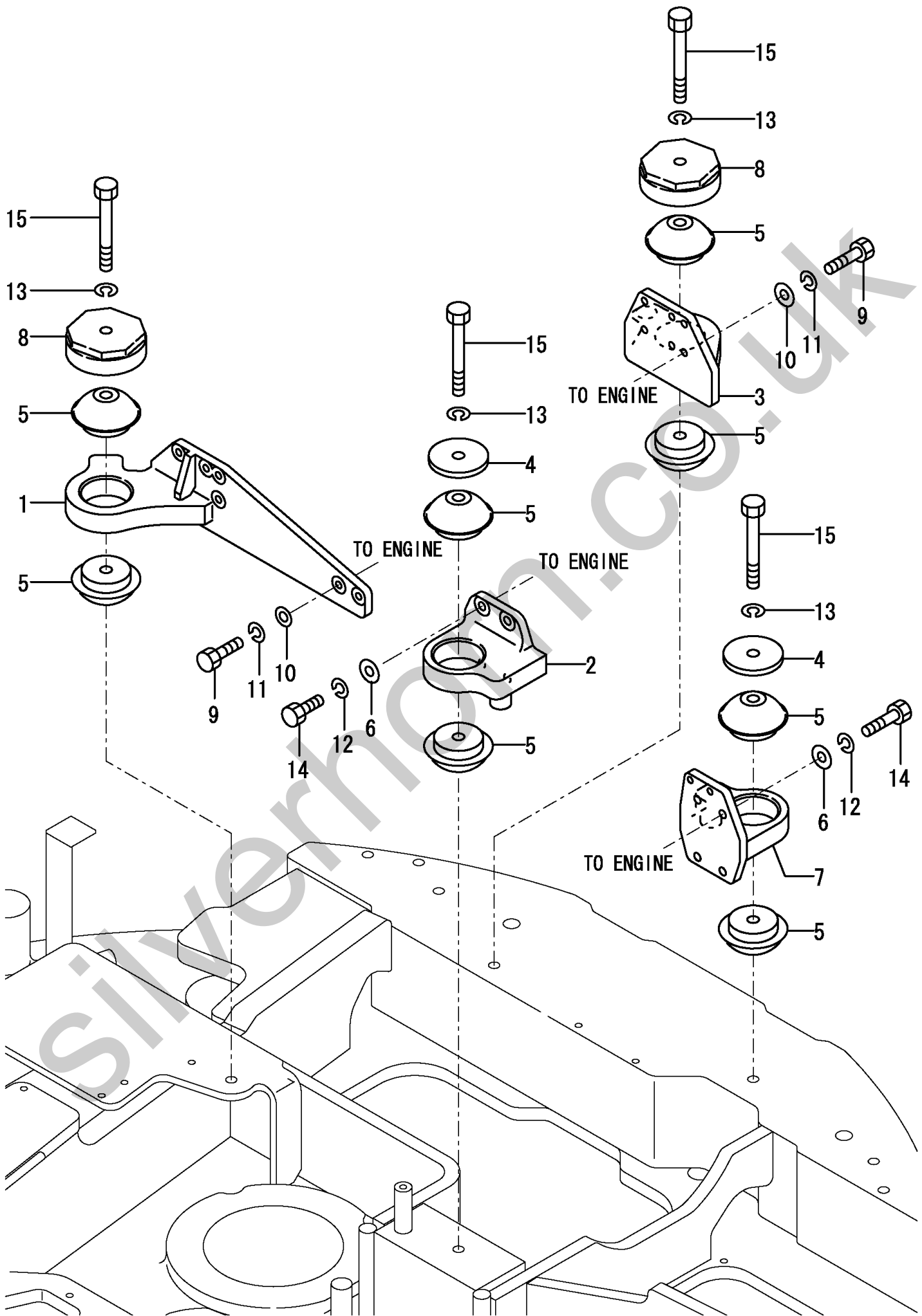
1,1,,172458-12100,, "LEVER,ACCELERATOR",1,,,,,,,,,,,,,,,,,,,,,  
2,1,,172455-12140,,GROMMET,2,,,,,,,,,,,,,,,,,,,,,  
3,1,,172187-12200,, "BASE CMP",1,,,,,,,,,,,,,,,,,,,,,  
5,2,,24550-014200,, "BUSH 14X20",1,,,,,,,,,,,,,,,,,,,,,  
6,1,,172187-12260,, "LINK A",1,,,,,,,,,,,,,,,,,,,,,  
7,1,,172137-12270,, "JOINT, CABLE",1,,,,,,,,,,,,,,,,,,,,,  
8,1,,172187-12280,, "LINK B",1,,,,,,,,,,,,,,,,,,,,,  
10,2,,24550-014200,, "BUSH 14X20",1,,,,,,,,,,,,,,,,,,,,,  
11,1,,172187-12320,, "SHAFT, DESEL",1,,,,,,,,,,,,,,,,,,,,,  
12,1,,172187-12340,, "SPRING, RETURN",1,,,,,,,,,,,,,,,,,,,,,  
13,1,,172187-12350,,CABLE,1,,,,,,,,,,,,,,,,,,,,,  
14,1,,172455-12361,, "CABLE, ACCEL.",1,,,,,,,,,,,,,,,,,,,,,  
14-1,1,,172478-12360,, "CABLE, ACCEL.",1,,,,,N,,72478114,\*2001.11,,,,,,,,,,,,,  
15,1,,172175-12370,,PLATE,1,,,,,,,,,,,,,,,,,,,,,  
16,1,,172455-16170,,HARNES,1,,,,,,,,,,,,,,,,,,,,,  
17,1,,172126-16540,, "CLAMP 10X70",1,,,,,,,,,,,,,,,,,,,,,  
18,1,,172190-17220,, "RELEY, TIMER",1,,,,,,,,,,,,,,,,,,,,,  
19,1,,172187-17900,, "SOLENOID B",1,,,,,,,,,,,,,,,,,,,,,  
20,1,,1C6281-52310,, "PIN 6,COME-OFF SNAP",2,,,,,,,,,,,,,,,,,,,,,  
21,1,,1C6281-52310,, "PIN 6,COME-OFF SNAP",4,,,,,,,,,,,,,,,,,,,,,  
22,1,,1A1040-56900,, "PIN 6X 17",2,,,,,,,,,,,,,,,,,,,,,  
23,1,,1A3809-56915,, "PIN 6X 20",1,,,,,,,,,,,,,,,,,,,,,  
24,1,,119620-66820,,JOINT,1,,,,,,,,,,,,,,,,,,,,,  
25,1,,22137-060000,, "WASHER 6, POLISHED",2,,,,,,,,,,,,,,,,,,,,,  
26,1,,22137-060000,, "WASHER 6, POLISHED",5,,,,,,,,,,,,,,,,,,,,,  
27,1,,22217-100000,, "SPRING WASHER 10",1,,,,,,,,,,,,,,,,,,,,,  
28,1,,22351-040025,, "PIN 4X25,SPRING",1,,,,,,,,,,,,,,,,,,,,,  
29,1,,24311-000210,, "O-RING 1A P-21.0",4,,,,,,,,,,,,,,,,,,,,,  
30,1,,26013-060162,, "BOLT M 6X 16",2,,,,,,,,,,,,,,,,,,,,,  
31,1,,26013-060252,, "BOLT M 6X 25",2,,,,,,,,,,,,,,,,,,,,,  
32,1,,26013-100162,, "BOLT M10X 16",2,,,,,,,,,,,,,,,,,,,,,  
33,1,,26013-100252,, "BOLT W/WASHER M10X25",2,,,,,,,,,,,,,,,,,,,,,  
34,1,,26116-100162,, "BOLT M10X 16 PLATED",1,,,,,,,,,,,,,,,,,,,,,  
35,1,,26716-060002,, "NUT 6",1,,,,,,,,,,,,,,,,,,,,,  
36,1,,933166-17730,, "WASHER 10.5X30",1,,,,,,,,,,,,,,,,,,,,,  
37,1,,933168-55770,, "BAND 146",2,,,,,,,,,,,,,,,,,,,,,  
38,1,,933168-55770,, "BAND 146",5,,,,,,,,,,,,,,,,,,,,,





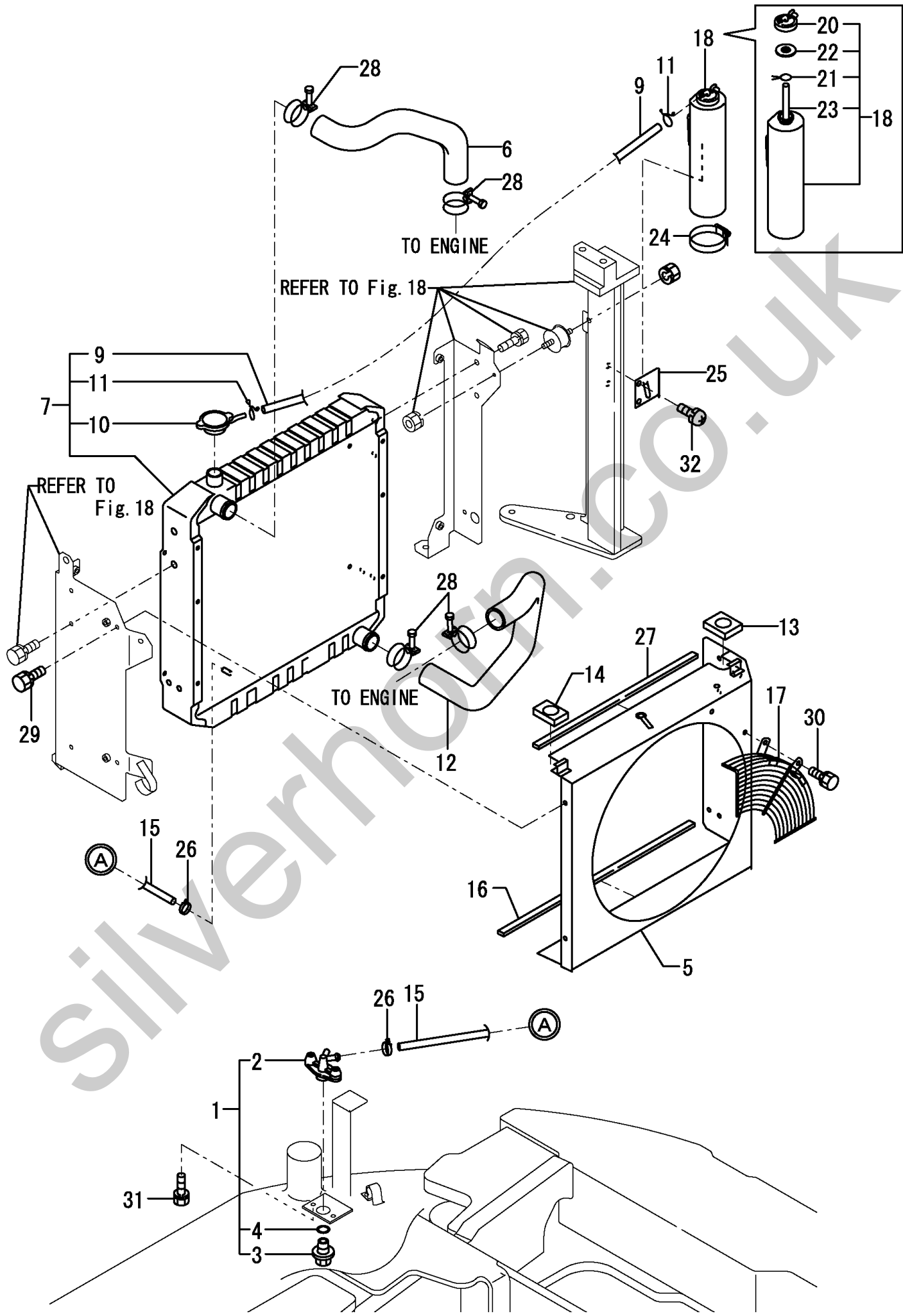
1,1,,172455-13101,, "BRACKET RR",1,1,1,,,,,,,,,,,,,,,,,,,,,  
2,1,,172455-13131,, "BRACKET FR",1,1,1,,,,,,,,,,,,,,,,,,,,,  
3,1,,172455-13151,, "BRACKET LR",1,1,1,,,,,,,,,,,,,,,,,,,,,  
4,1,,172162-13170,, WASHER,2,2,2,,,,,,,,,,,,,,,,,,,,,  
5,1,,172162-13180,, "MOUNT,ENGINE",8,8,8,,,,,,,,,,,,,,,,,,,,,  
6,1,,172165-13220,, WASHER,8,8,8,,,,,,,,,,,,,,,,,,,,,  
7,1,,172187-13731,, "BRACKET RF",1,1,1,,,,,,,,,,,,,,,,,,,,,  
8,1,,172187-13830,, STOPPER,2,2,2,,,,,,,,,,,,,,,,,,,,,  
9,1,,1E6480-16920,, "BOLT 10X35,11T",12,12,12,,,,,,,,,,,,,,,,,,,,,  
10,1,,172137-46040,, "SEAT, SPRING",12,12,12,,,,,,,,,,,,,,,,,,,,,  
11,1,,22217-100000,, "SPRING WASHER 10",12,12,12,,,,,,,,,,,,,,,,,,,,,  
12,1,,22217-120000,, "SPRING WASHER 12",8,8,8,,,,,,,,,,,,,,,,,,,,,  
13,1,,22217-160000,, "SPRING WASHER 16",4,4,4,,,,,,,,,,,,,,,,,,,,,  
14,1,,26076-120352,, "BOLT M12X 35",8,8,8,,,,,,,,,,,,,,,,,,,,,  
15,1,,26076-161302,, "BOLT 16\*130",4,4,4,,,,,,,,,,,,,,,,,,,,,

Silverhorn.CO.UK



1,1,,172444-13210,, "COCK ASSY,2-WAY",1,1,1,,,,,,,,,,,,,  
2,2,,172444-13220,, BODY,1,1,1,,,,,,,,,,,,,  
3,2,,121250-49121,, PLUG,1,1,1,,,,,,,,,,,,,  
4,2,,24311-000160,, "O-RING 1A P-16.0",1,1,1,,,,,,,,,,,,,  
5,1,,172187-13261,, SHURAUD,1,1,1,,,,,,,,,,,,,  
6,1,,172187-13300,, "HOSE A, RADIATOR",1,1,1,,,,,,,,,,,,,  
7,1,,172478-13300,, "RADIATOR CMP",1,1,1,,,,,,,,,,,,,  
9,2,,172187-13921,, "HOSE, RUBBER",1,1,1,,,,,,,,,,,,,  
10,2,,119259-44570,, "CAP, RADIATOR",1,1,1,,,,,,,,,,,,,  
11,2,,121250-44590,, CLAMP,2,2,2,,,,,,,,,,,,,  
12,1,,172187-13310,, "HOSE B, RADIATOR",1,1,1,,,,,,,,,,,,,  
13,1,,172187-13360,, SEAL,1,1,1,,,,,,,,,,,,,  
14,1,,172187-13370,, SEAL,1,1,1,,,,,,,,,,,,,  
15,1,,172122-13381,, HOSE,1,1,1,,,,,,,,,,,,,  
16,1,,172187-13480,, "SEAL 560",1,1,1,,,,,,,,,,,,,  
17,1,,172187-13501,, WIRE,1,1,1,,,,,1,,,,,,,,,,,,,  
18,1,,171064-44510,, "SUB-TANK ASSY",1,1,1,,,,,,,,,,,,,  
20,2,,121450-44531,, CAP,1,1,1,,,,,,,,,,,,,  
21,2,,124450-44560,, CLAMP,1,1,1,,,,,,,,,,,,,  
22,2,,121470-44581,, GASKET,1,1,1,,,,,,,,,,,,,  
23,2,,23065-070225,, "HOSE 7\* 225",1,1,1,,,,,,,,,,,,,  
24,1,,124450-44550,, "CLAMP, SUB-TANK",1,1,1,,,,,,,,,,,,,  
25,1,,121256-44600,, "BRACKET, SUB-TANK",1,1,1,,,,,,,,,,,,,  
26,1,,124766-59050,, "CLAMP 12",2,2,2,,,,,,,,,,,,,  
27,1,,172162-62540,, "SEAL,STEP L",1,1,1,,,,,,,,,,,,,  
28,1,,23010-050000,, "CLAMP 50",4,4,4,,,,,,,,,,,,,  
29,1,,26013-080162,, "BOLT W/WASHER M8X16",3,3,3,,,,,,,,,,,,,  
30,1,,26013-080162,, "BOLT W/WASHER M8X16",2,2,2,,,,,,,,,,,,,  
31,1,,26013-080252,, "BOLT M 8X 25",2,2,2,,,,,,,,,,,,,  
32,1,,26022-080162,, "SCREW M 8X 16",2,2,2,,,,,,,,,,,,,

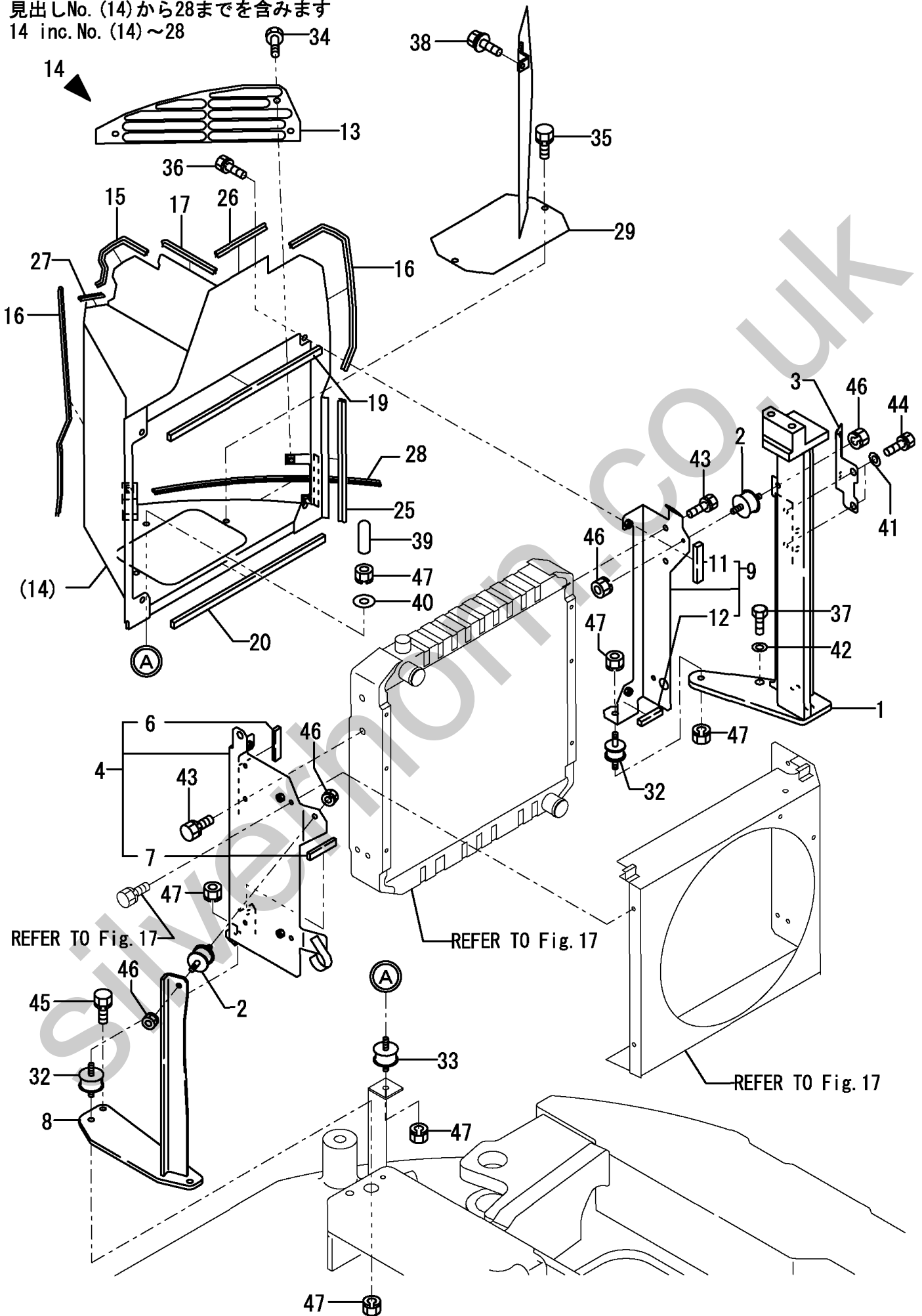




1,1,,172455-13301,, "BRACKET R ASSY",1,1,1,,,,,,,,,,,,,  
2,1,,172122-13310,, "MOUNT, RADIATOR",2,2,2,,,,,,,,,,,,,  
3,1,,172455-13361,, "PLATE ASSY",1,1,1,,,,,,,,,,,,,  
4,1,,172455-13400,, "MOUNT L ASSY",1,1,1,,,,,,,,,,,,,  
6,2,,172187-13530,, "SEAL A, RADIATOR",1,1,1,,,,,,,,,,,,,  
7,2,,172187-13540,, "SEAL B, RADIATOR",1,1,1,,,,,,,,,,,,,  
8,1,,172187-13420,, "BRACKET L",1,1,1,,,,,,,,,,,,,  
9,1,,172455-13430,, "MOUNT R ASSY",1,1,1,,,,,,,,,,,,,  
11,2,,172187-13530,, "SEAL A, RADIATOR",1,1,1,,,,,,,,,,,,,  
12,2,,172187-13540,, "SEAL B, RADIATOR",1,1,1,,,,,,,,,,,,,  
13,1,,172455-13601,, "GRILLE, DUCT(GREEN:88)",1,1,1,,,,,,,,,,,,,  
14,1,,172478-13600,, "DUCT, RADIATOR",1,1,1,,,,,,,,,,,,,  
15,2,,172183-13480,, "RUBBER, SEAL",1,1,1,,,,,,,,,,,,,  
16,2,,172164-13520,, "RUBBER, SEAL",2,2,2,,,,,,,,,,,,,  
17,2,,172455-13610,, "RUBBER, SEAL 160",1,1,1,,,,,,,,,,,,,  
19,2,,172455-13630,, "SEAL A, DUCT",1,1,1,,,,,,,,,,,,,  
20,2,,172455-13640,, "SEAL B, DUCT",1,1,1,,,,,,,,,,,,,  
25,2,,172162-61120,, "SEAL, COVER B",1,1,1,,,,,,,,,,,,,  
26,2,,172164-61250,, "RUBBER, SEAL",1,1,1,,,,,,,,,,,,,  
27,2,,172171-65850,, "RUBBER, SEAL K",1,1,1,,,,,,,,,,,,,  
28,2,,172455-13620,, "RUBBER, SEAL 480",1,1,1,,,,,,,,,,,,,  
29,1,,172478-13700,, "COVER, DUCT(GREEN:88)",1,1,1,,,,,,,,,,,,,  
32,1,,172162-13780,, "MOUNT 42-87, EVAPORTR",2,2,2,,,,,,,,,,,,,  
33,1,,172162-13780,, "MOUNT 42-87, EVAPORTR",1,1,1,,,,,,,,,,,,,  
34,1,,172168-46760,, "BOLT M10X20",3,3,3,,,,,,,,,,,,,  
35,1,,172168-46760,, "BOLT M10X20",2,2,2,,,,,,,,,,,,,  
36,1,,172168-46760,, "BOLT M10X20",4,4,4,,,,,,,,,,,,,  
37,1,,172165-53490,, "BOLT M16X 40",3,3,3,,,,,,,,,,,,,  
38,1,,172519-63240,, "BOLT 8X 16",1,1,1,,,,,,,,,,,,,  
39,1,,172187-64800,, "CAP",1,1,1,,,,,,,,,,,,,  
40,1,,22137-100000,, "WASHER 10, POLISHED",1,1,1,,,,,,,,,,,,,  
41,1,,22157-100000,, "WASHER 10",2,2,2,,,,,,,,,,,,,  
42,1,,22217-160000,, "SPRING WASHER 16",3,3,3,,,,,,,,,,,,,  
43,1,,26013-080162,, "BOLT W/WASHER M8X16",6,6,6,,,,,,,,,,,,,  
44,1,,26013-100202,, "BOLT W/WASHER M10X20",2,2,2,,,,,,,,,,,,,  
45,1,,26013-100252,, "BOLT W/WASHER M10X25",2,2,2,,,,,,,,,,,,,  
46,1,,26051-080002,, "NUT M 8",4,4,4,,,,,,,,,,,,,  
47,1,,26051-100002,, "NUT M10",6,6,6,,,,,,,,,,,,,



見出しNo. 14は  
見出しNo. (14)から28までを含みます  
14 inc. No. (14)~28

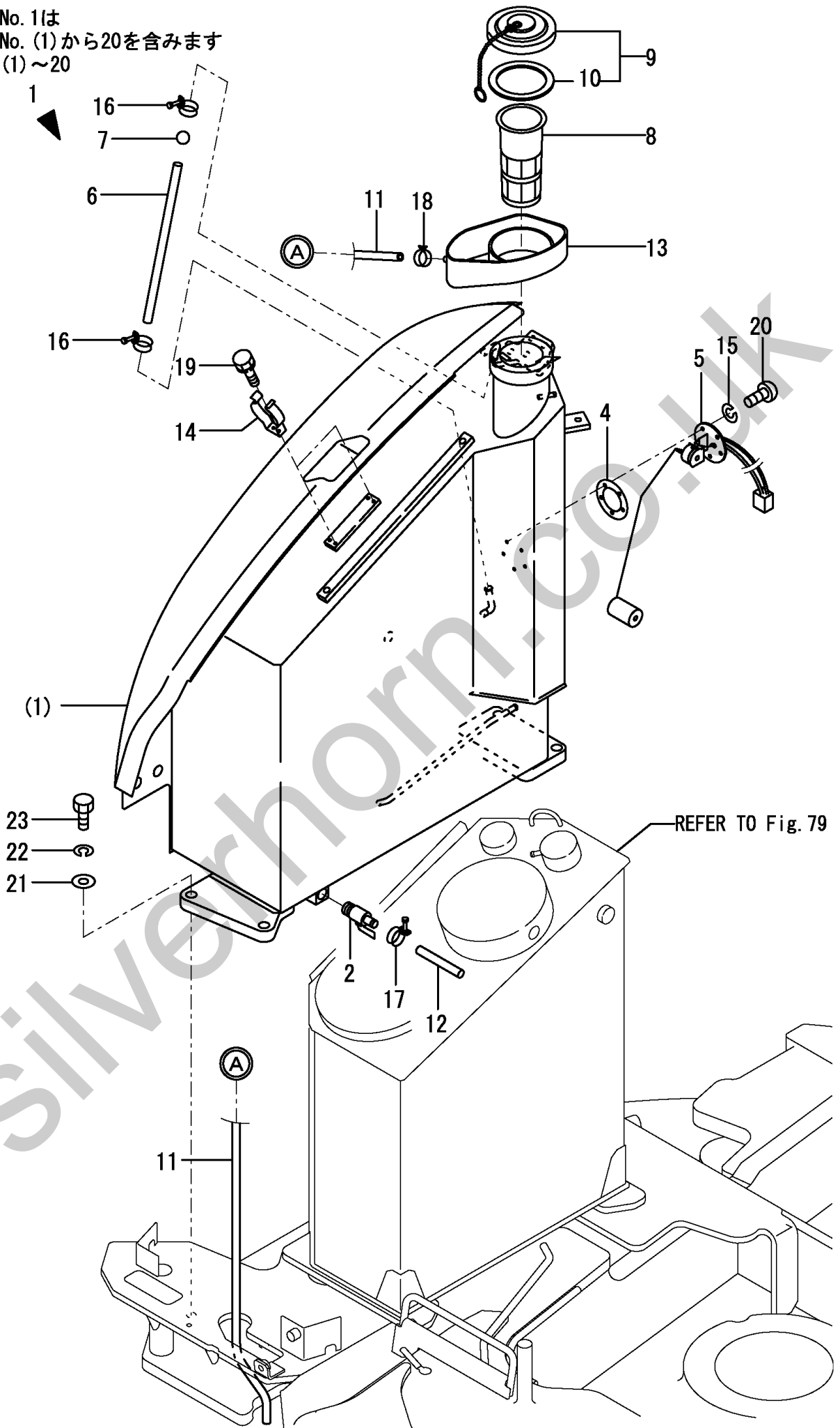




1,1,,772455-14101,, "FUEL TANK ASSY (96)",1,1,1,,,,,,,,,,,,,  
2,2,,104200-11920,, COCK,1,1,1,,,,,,,,,,,,,  
4,2,,172162-14200,, GASKET,1,1,1,,,,,,,,,,,,,  
5,2,,172187-14220,, GAUGE,1,1,1,,,,,,,,,,,,,  
6,2,,172455-14240,, "HOSE, FO GAUGE",1,1,1,,,,,,,,,,,,,  
7,2,,172141-14260,, FLOAT,1,1,1,,,,,,,,,,,,,  
8,2,,172187-14290,, "FUEL INLET NET",1,1,1,,,,,,,,,,,,,  
9,2,,172455-14340,, "CAP ASSY, FUEL TANK",1,1,1,,,,,,,,,,,,,  
10,3,,172187-14320,, GASKET,1,1,1,,,,,,,,,,,,,  
11,2,,172455-14400,, "HOSE 9.5X1530",1,1,1,,,,,,,,,,,,,  
12,2,,172444-14410,, HOSE,1,1,1,,,,,,,,,,,,,  
13,2,,172455-14500,, "FUEL CATCH",1,1,1,,,,,,,,,,,,,  
14,2,,172122-55061,, "BRACKET, GREASE PUMP",2,2,2,,,,,,,,,,,,,  
15,2,,22217-050000,, "SPRING WASHER 5",5,5,5,,,,,,,,,,,,,  
16,2,,23010-014000,, "CLAMP 14",2,2,2,,,,,,,,,,,,,  
17,2,,23010-014000,, "CLAMP 14",1,1,1,,,,,,,,,,,,,  
18,2,,23080-013000,, "CLAMP 13,HOSE",1,1,1,,,,,,,,,,,,,  
19,2,,26013-060102,, "BOLT M 6X 10",4,4,4,,,,,,,,,,,,,  
20,2,,26022-050122,, "SCREW M 5X 12",5,5,5,,,,,,,,,,,,,  
21,1,,22137-160000,, "WASHER 16,POLISHED",4,4,4,,,,,,,,,,,,,  
22,1,,22217-160000,, "SPRING WASHER 16",4,4,4,,,,,,,,,,,,,  
23,1,,26116-160452,, "BOLT M16X 45 PLATED",4,4,4,,,,,,,,,,,,,

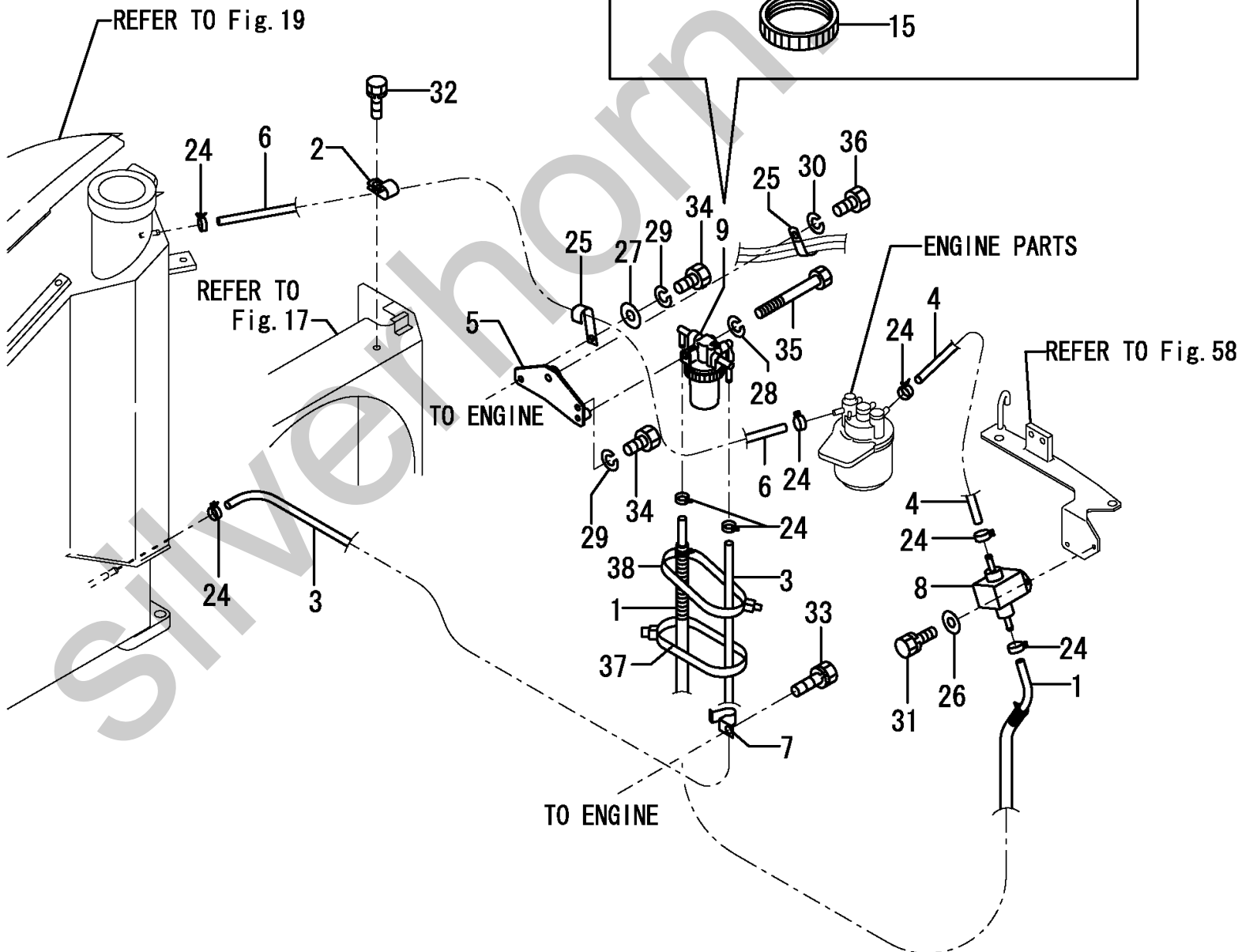
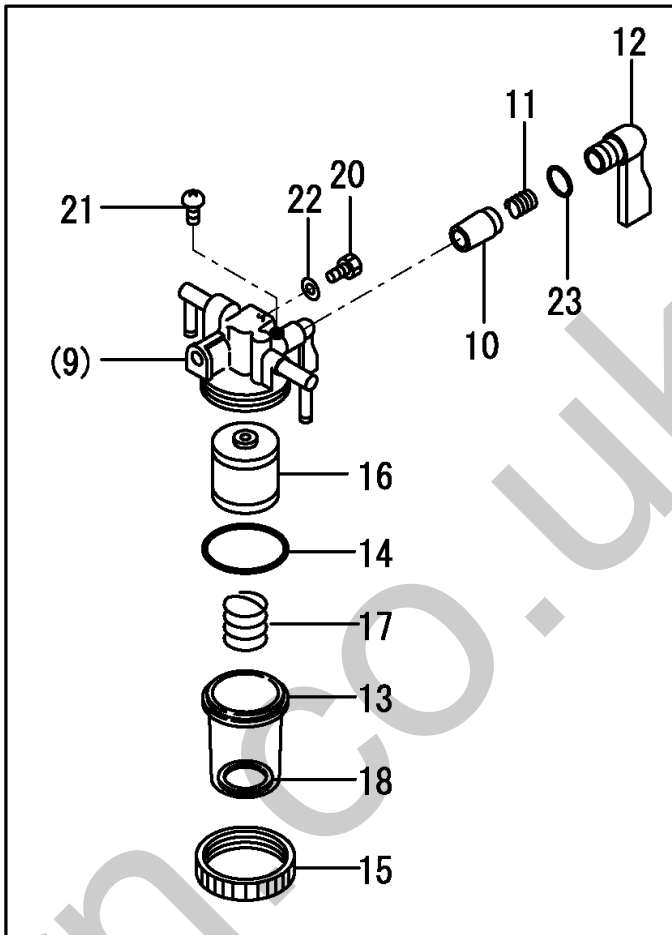
Silverhorn.CO.UK

見出しNo. 1は  
見出しNo. (1)から20を含みます  
1 inc. (1)~20

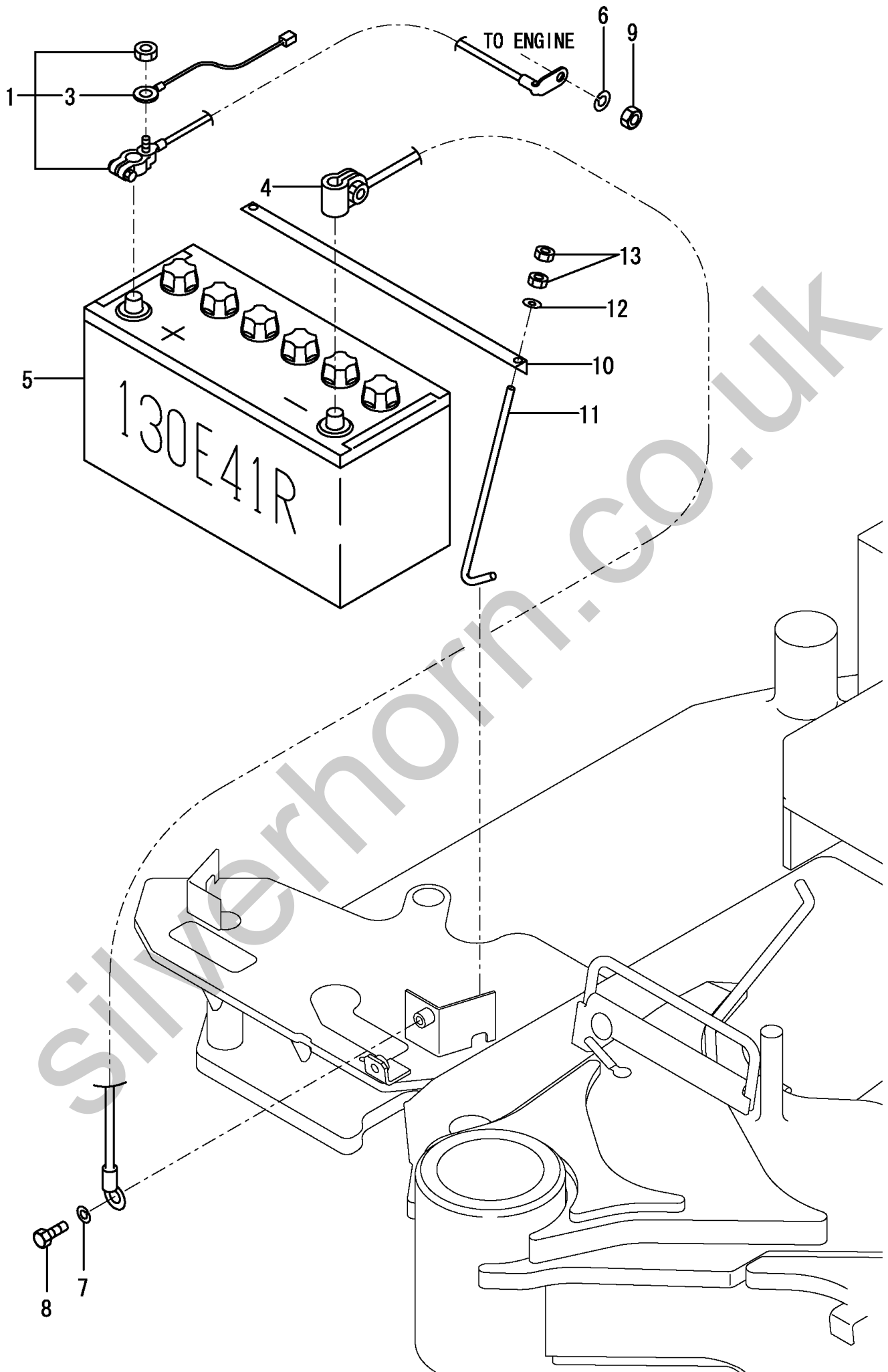


1,1,,172187-14430,,HOSE,1,1,1,,,,,,,,,,,,,  
2,1,,172187-14460,,CLAMP,1,1,1,,,,,,,,,,,,,  
3,1,,172187-14470,,HOSE,1,1,1,,,,,,,,,,,,,  
4,1,,172171-14610,,,"HOSE 260,FUEL",1,1,1,,,,,,,,,,,,,  
5,1,,172463-14610,,,"BRACKET, W.S.",1,1,1,,,,,,,,,,,,,  
6,1,,172463-14650,,,"HOSE,FO 1350",1,1,1,,,,,,,,,,,,,  
7,1,,172112-16650,,CLAMP(B),1,1,1,,,,,,,,,,,,,  
8,1,,129412-52100,,,"PUMP ASSY,FUEL FEED",1,1,1,,,,,,,,,,,,,  
9,1,,129335-55705,,,"SEPARATOR,WATER",1,1,1,,,,,,,,,,,,,  
10,2,,104200-55321,,,"VALVE, TAPER",1,1,1,,,,,,,,,,,,,  
11,2,,104200-55330,,,"SPRING, TAPER VALVE",1,1,1,,,,,,,,,,,,,  
12,2,,104200-55341,,,"HANDLE, COCK",1,1,1,,,,,,,,,,,,,  
13,2,,121254-55510,,,"CUP, STRAINER",1,1,1,,,,,,,,,,,,,  
14,2,,102103-55520,,O-RING,1,1,1,,,,,,,,,,,,,  
15,2,,110250-55610,,,"RING, RETAINING",1,1,1,,,,,,,,,,,,,  
16,2,,121850-55710,,SCREEN,1,1,1,,,,,,,,,,,,,  
17,2,,121257-55720,,,"SPRING, SCREEN",1,1,1,,,,,,,,,,,,,  
18,2,,121257-55731,,FLOAT,1,1,1,,,,,,,,,,,,,  
20,2,,101720-55750,,PLUG,2,2,2,,,,,,,,,,,,,  
21,2,,104200-55750,,,"SCREW M 4",1,1,1,,,,,,,,,,,,,  
22,2,,23418-060000,,,"GASKET 6, NYLON",2,2,2,,,,,,,,,,,,,  
23,2,,24311-240100,,,"O-RING 1A P-10A",1,1,1,,,,,,,,,,,,,  
24,1,,124766-59050,,,"CLAMP 12",8,8,8,,,,,,,,,,,,,  
25,1,,1A1380-59480,,,"CLAMP A,SM.&DYN.CORD",2,2,2,,,,,,,,,,,,,  
26,1,,22137-060000,,,"WASHER 6, POLISHED",2,2,2,,,,,,,,,,,,,  
27,1,,22137-080000,,,"WASHER 8, POLISHED",1,1,1,,,,,,,,,,,,,  
28,1,,22217-080000,,,"SPRING WASHER 8",1,1,1,,,,,,,,,,,,,  
29,1,,22217-080000,,,"SPRING WASHER 8",2,2,2,,,,,,,,,,,,,  
30,1,,22217-100000,,,"SPRING WASHER 10",1,1,1,,,,,,,,,,,,,  
31,1,,26013-060162,,,"BOLT M 6X 16",2,2,2,,,,,,,,,,,,,  
32,1,,26013-100162,,,"BOLT M10X 16",1,1,1,,,,,,,,,,,,,  
33,1,,26013-100162,,,"BOLT M10X 16",1,1,1,,,,,,,,,,,,,  
34,1,,26116-080162,,,"BOLT 8X16",2,2,2,,,,,,,,,,,,,  
35,1,,26116-080652,,,"BOLT M 8X 65 PLATED",1,1,1,,,,,,,,,,,,,  
36,1,,26116-100162,,,"BOLT M10X 16 PLATED",1,1,1,,,,,,,,,,,,,  
37,1,,933168-55770,,,"BAND 146",1,1,1,,,,,,,,,,,,,  
38,1,,172126-11510,,,"BAND  
300",1,1,1,,,W,,72478089,M/#20598,72478089,M/#20598,,,,,,,,,I



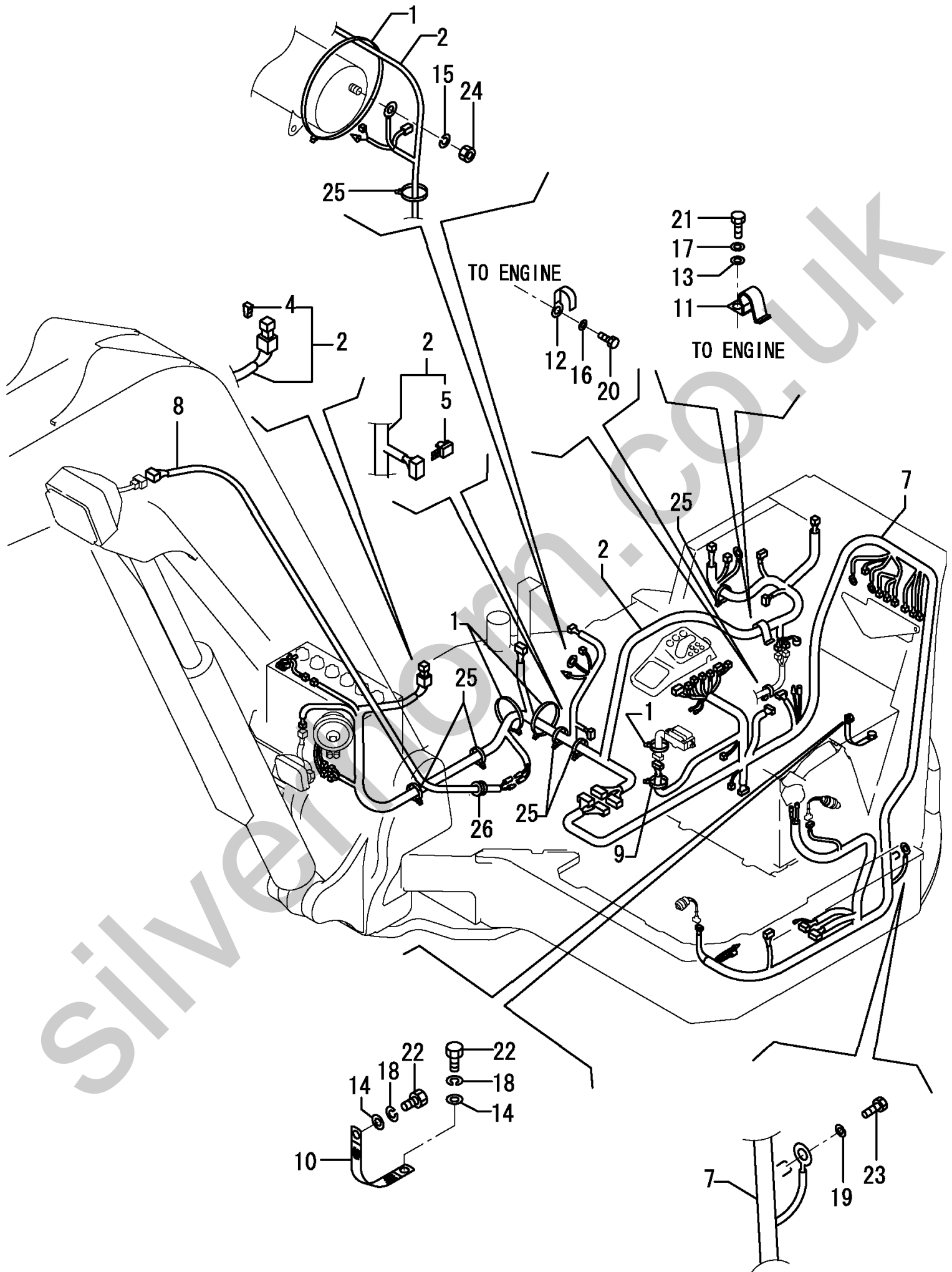






1,1,,172126-11510,, "BAND 300",5,5,5,,,,,,,,,,,,,,,,,,,,,  
2,1,,172478-16500,, "HARNESS A",1,1,1,,,,,,,,,,,,,,,,,,,,,  
4,2,,172458-16550,, "HUSE,SLOW BLOW (50A",1,1,1,,,,,,,,,,,,,,,,,,,,,  
5,2,,172648-16600,, DIODE,1,1,1,,,,,,,,,,,,,,,,,,,,,  
7,1,,172478-16520,, "HARNESS B",1,1,1,,,,,,,,,,,,,,,,,,,,,  
8,1,,172187-16530,, "HARNESS D",1,1,1,,,,,,,,,,,,,,,,,,,,,  
9,1,,172183-16560,, "CLIP 400,HOSE",1,1,1,,,,,,,,,,,,,,,,,,,,,  
10,1,,172187-16600,, "CODE, ENGINE EARTH",1,1,1,,,,,,,,,,,,,,,,,,,,,  
11,1,,172112-16650,, CLAMP(B),1,1,1,,,,,,,,,,,,,,,,,,,,,  
12,1,,194440-51620,, "CLAMP, WIRE HARNESS",1,1,1,,,,,,,,,,,,,,,,,,,,,  
13,1,,22137-080000,, "WASHER 8, POLISHED",1,1,1,,,,,,,,,,,,,,,,,,,,,  
14,1,,22137-100000,, "WASHER 10,POLISHED",2,2,2,,,,,,,,,,,,,,,,,,,,,  
15,1,,22217-050000,, "SPRING WASHER 5",1,1,1,,,,,,,,,,,,,,,,,,,,,  
16,1,,22217-080000,, "SPRING WASHER 8",1,1,1,,,,,,,,,,,,,,,,,,,,,  
17,1,,22217-080000,, "SPRING WASHER 8",1,1,1,,,,,,,,,,,,,,,,,,,,,  
18,1,,22217-100000,, "SPRING WASHER 10",2,2,2,,,,,,,,,,,,,,,,,,,,,  
19,1,,22217-100000,, "SPRING WASHER 10",1,1,1,,,,,,,,,,,,,,,,,,,,,  
20,1,,26116-080162,, "BOLT 8X16",1,1,1,,,,,,,,,,,,,,,,,,,,,  
21,1,,26116-080162,, "BOLT 8X16",1,1,1,,,,,,,,,,,,,,,,,,,,,  
22,1,,26116-100162,, "BOLT M10X 16 PLATED",2,2,2,,,,,,,,,,,,,,,,,,,,,  
23,1,,26116-100162,, "BOLT M10X 16 PLATED",1,1,1,,,,,,,,,,,,,,,,,,,,,  
24,1,,26716-050002,, "NUT M 5",1,1,1,,,,,,,,,,,,,,,,,,,,,  
25,1,,933152-09280,, "BAND 170",5,5,5,,,,,,,,,,,,,,,,,,,,,  
26,1,,933171-15680,, "GROMMET 40X13",1,1,1,,,,,,,,,,,,,,,,,,,,,

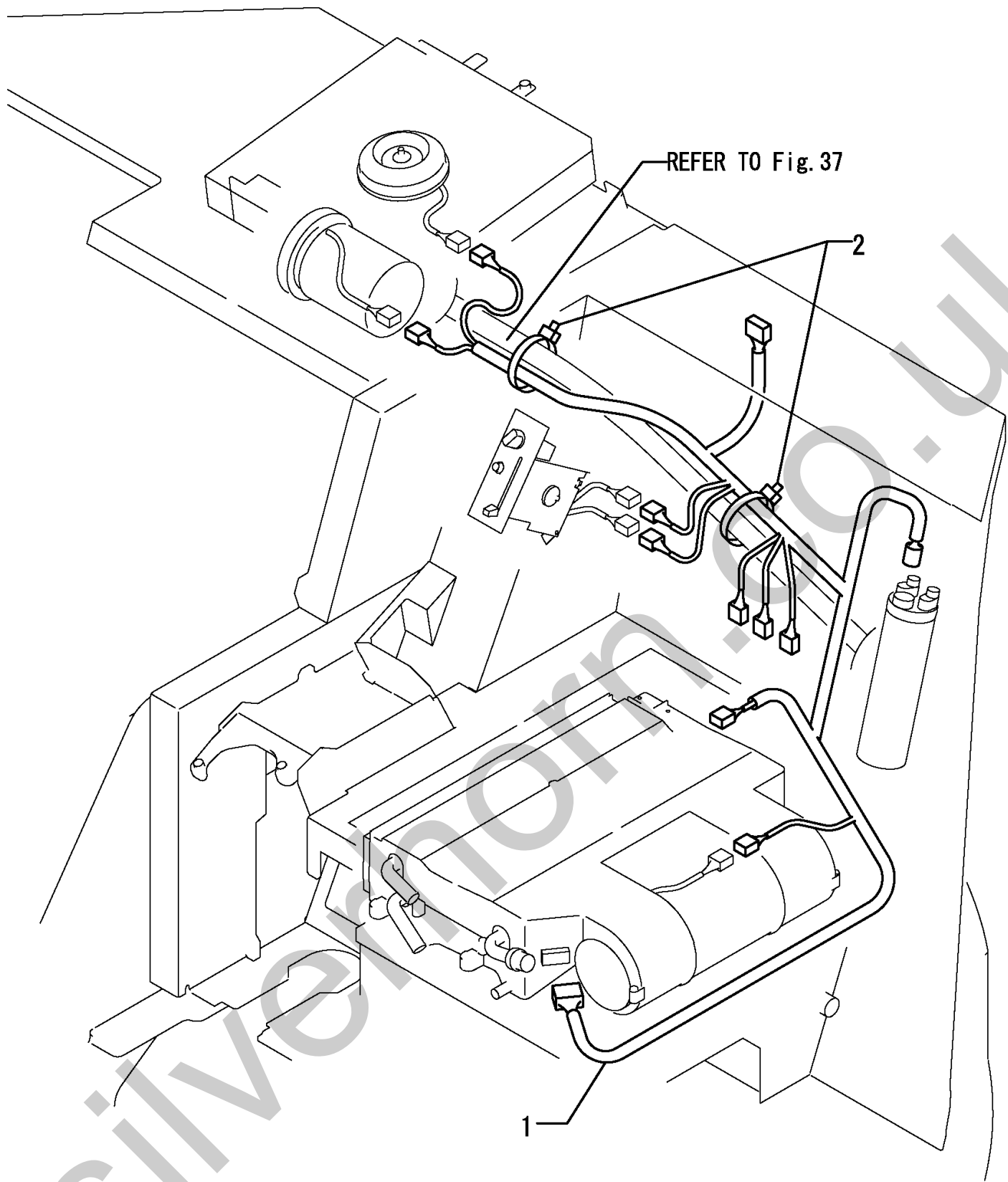
Silverhorn.CO.UK





1,1,,172455-16600,, "HARNESS, AIR CON.",1,,,,,,,,,,,,,,,,,,,,,  
2,1,,933152-09280,, "BAND 170",2,,,,,,,,,,,,,,,,,,,,,

Silverhorn.CO.UK



REFER TO Fig. 37

2

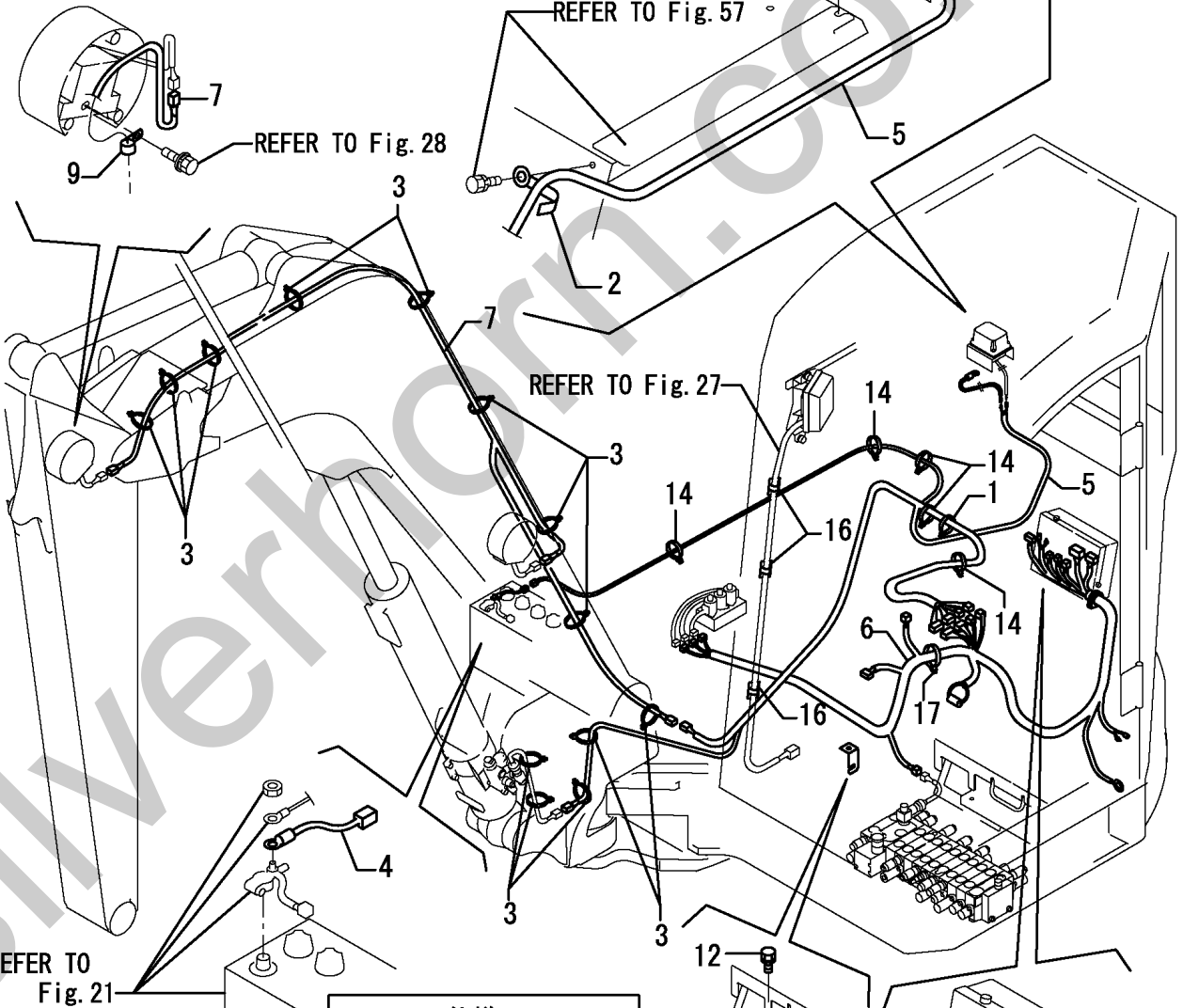
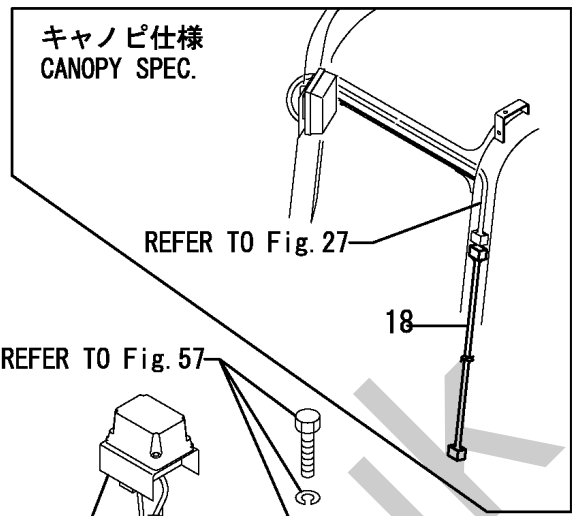
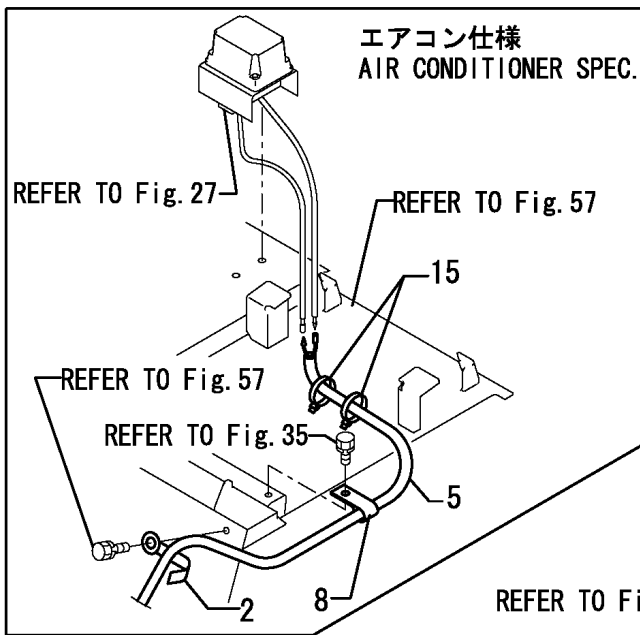
1

172478-08100

エアコンキットは、項目130を参照下さい。  
AIR CONDITIONER KIT is shown in Fig.130

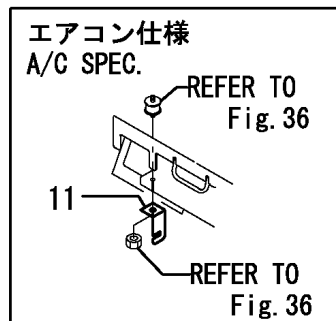
1,1,,172126-11510,, "BAND 300",1,1,,,,,,,,,,,,,,,,,,,,,  
2,1,,172126-16540,, "CLAMP 10X70",2,2,,,,,,,,,,,,,,,,,,,,,  
3,1,,172137-16560,, BAND,25,25,,,,,,,,,,,,,,,,,,,,,  
3-1,1,,172137-  
16560,, BAND,26,26,,,,,K,,72478089,M/#20591,72478089,M/#20591,,,,,,,,,I  
4,1,,172732-16560,, "LINK, FUSIBLE",1,1,,,,,,,,,,,,,,,,,,,,,  
5,1,,172455-16701,, "HARNESS C-A",1,1,,,,,,,,,,,,,,,,,,,,,  
6,1,,172455-16711,, "HARNESS C-B",1,1,,,,,,,,,,,,,,,,,,,,,  
7,1,,172478-16730,, "HARNESS C-D,CRANE",1,1,,,,,,,,,,,,,,,,,,,,,  
8,1,,172183-46440,, "CLAMP WRC10",1,1,,,,,1,,,,,,,,,,,,,  
9,1,,172183-46440,, "CLAMP WRC10",2,2,,,,,,,,,,,,,,,,,,,,,  
10,1,,172165-62800,, "GROMMET 26",1,1,,,,,,,,,,,,,,,,,,,,,  
11,1,,172455-63210,, "STAY, FUSE",1,1,,,,,,,,,,,,,,,,,,,,,  
12,1,,26013-080162,, "BOLT W/WASHER M8X16",1,1,,,,,2,,,,,,,,,,,,,  
13,1,,26716-080002,, "NUT M 8",1,1,,,,,,,,,,,,,,,,,,,,,  
14,1,,933152-09280,, "BAND 170",5,5,,,,,,,,,,,,,,,,,,,,,  
15,1,,933152-09280,, "BAND 170",2,,,,,1,,,,,,,,,,,,,  
16,1,,933169-15231,, "STAPLE P-25",3,,,,,,,,,,,,,,,,,,,,,  
17,1,,172183-16560,, "CLIP 400,HOSE",1,1,,,,,,,,,,,,,,,,,,,,,  
18,1,,172478-16560,, "HARNESS G",,1,,,,,,,,,,,,,,,,,,,,,

Silverhorn.CO.UK



172478-08550  
クレーンキット(キャビン)は、  
、項目136を参照下さい。  
CRANE KIT (CABIN) is shown  
in Fig. 136.

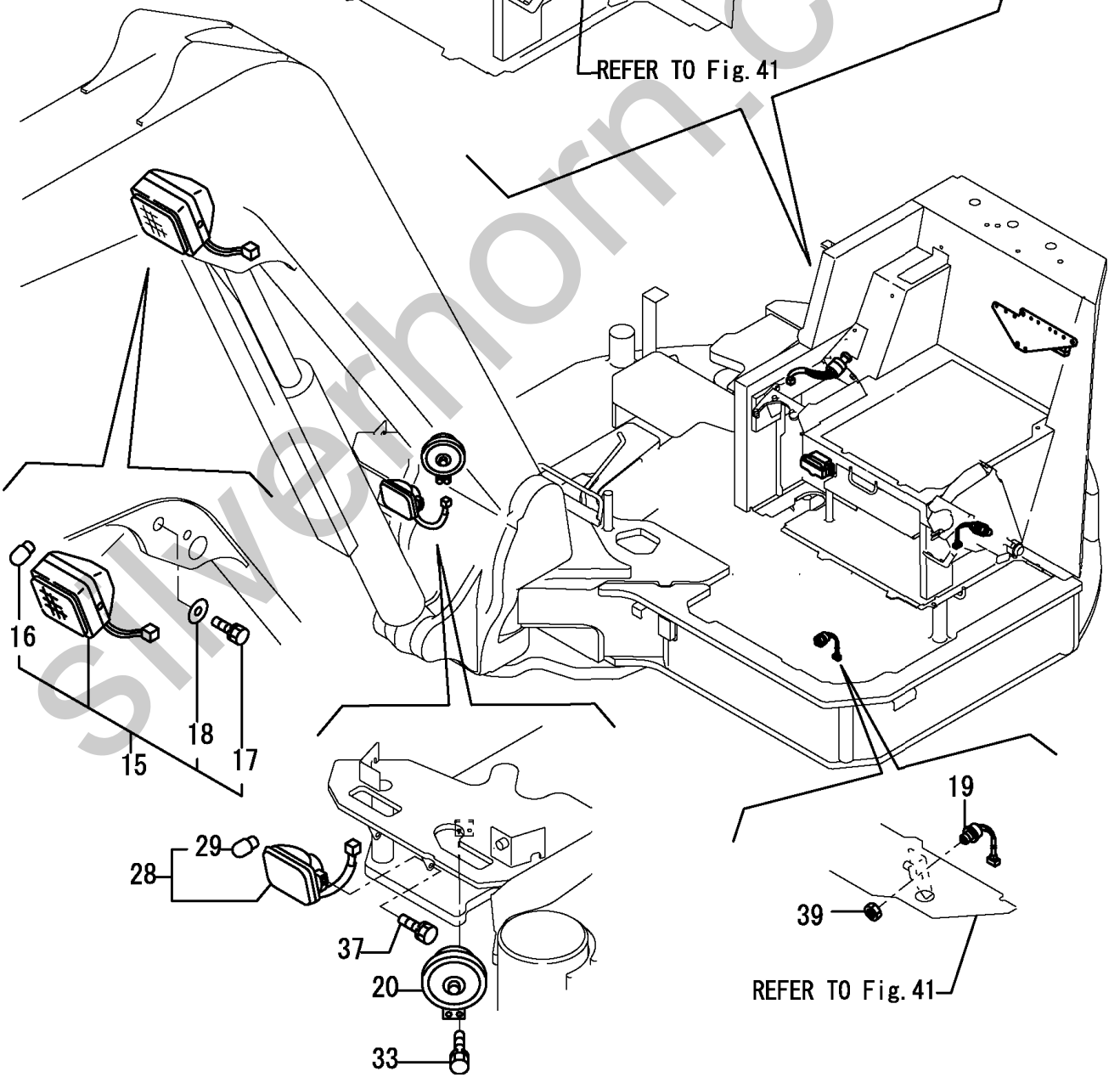
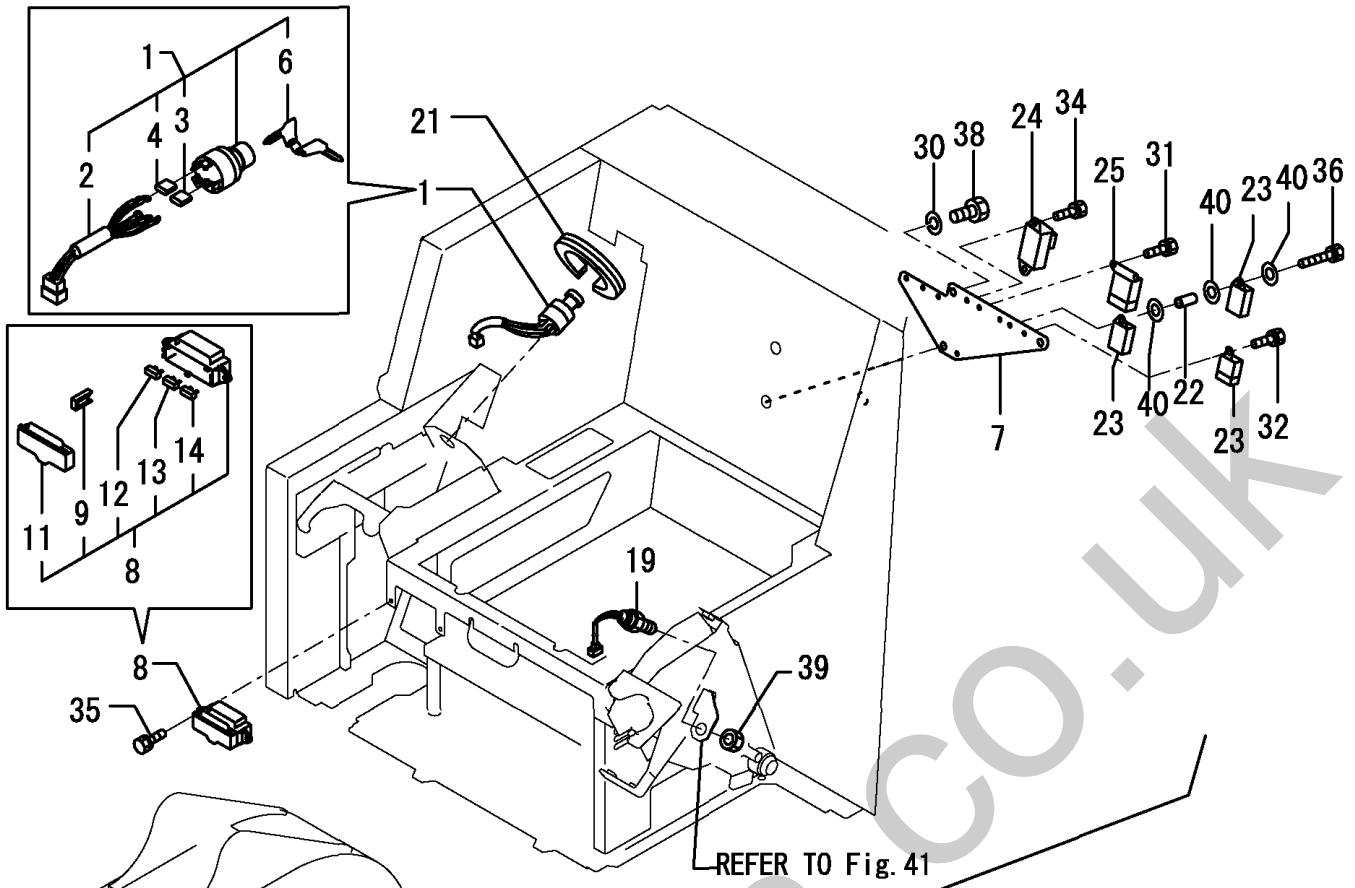
172478-08560  
クレーンキット(キャノピ)は、  
項目136を参照下さい。  
CRANE KIT (CANOPY) is shown  
in Fig. 136.



REFER TO Fig. 27

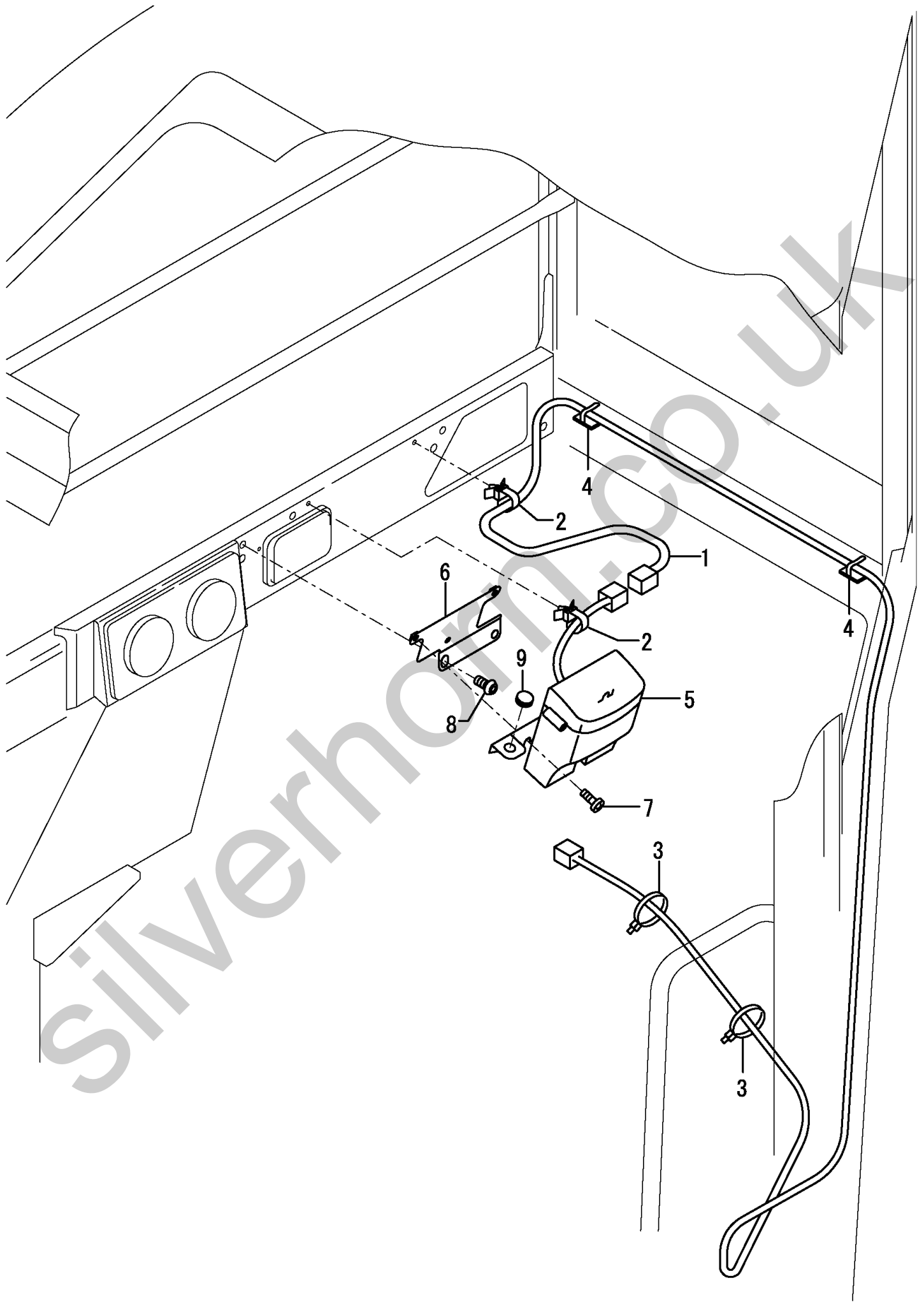
1,1,,172187-17100,, "SWITCH, START",1,1,1,,,,,,,,,,,,,  
2,2,,172187-17070,, CODE,1,1,1,,,,,,,,,,,,,  
3,2,,172187-17080,, "COVER M5",3,3,3,,,,,,,,,,,,,  
4,2,,172187-17090,, "COVER M4",2,2,2,,,,,,,,,,,,,  
6,2,,933110-00301,, "KEY ASSY",1,1,1,,,,,,,,,,,,,  
7,1,,172455-17110,, "BRACKET, RELAY",1,1,1,,,,,,,,,,,,,  
8,1,,172187-17200,, "BOX, FUSE",1,1,1,,,,,,,,,,,,,  
9,2,,172175-17120,, PULLER,1,1,1,,,,,,,,,,,,,  
11,2,,172187-17220,, COVER,1,1,1,,,,,,,,,,,,,  
12,2,,29420-050000,, HUSE,2,2,2,,,,,,,,,,,,,  
13,2,,29420-150000,, HUSE,6,6,6,,,,,,,,,,,,,  
14,2,,29420-300000,, "FUSE B30",2,2,2,,,,,,,,,,,,,  
15,1,,172162-17400,, "LAMP COMP.,WORKING",1,1,1,,,,,,,,,,,,,  
16,2,,172141-17211,, "BULB 12V55W",1,1,1,,,,,,,,,,,,,  
17,2,,26013-080202,, "BOLT W/WASHER M8X20",2,2,2,,,,,,,,,,,,,  
18,2,,22157-080000,, "WASHER 8",2,2,2,,,,,,,,,,,,,  
19,1,,194464-52190,, "SWITCH, SAFETY START",2,2,2,,,,,,,,,,,,,  
20,1,,194151-57100,, HORN,1,1,1,,,,,,,,,,,,,  
21,1,,172146-61370,, "RUBBER, SEAL",1,1,1,,,,,,,,,,,,,  
22,1,,172173-76690,, "COLLAR 9>12>24",1,1,1,,,,,,,,,,,,,  
23,1,,119247-77100,, "RELAY, SAFETY",3,3,3,,,,,,,,,,,,,  
24,1,,129136-77200,, "RELAY, SAFETY",1,1,1,,,,,,,,,,,,,  
25,1,,119650-77910,, "RELAY, GROW",1,1,1,,,,,,,,,,,,,  
28,1,,172162-17410,, "LAMP ASSY, HEADLIGHT",1,1,1,,,,,,,,,,,,,  
29,2,,29220-788200,, BULB,1,1,1,,,,,,,,,,,,,  
30,1,,22217-100000,, "SPRING WASHER 10",3,3,3,,,,,,,,,,,,,  
31,1,,26013-060122,, "BOLT M 6X 12",2,2,2,,,,,,,,,,,,,  
32,1,,26013-060122,, "BOLT M 6X 12",1,1,1,,,,,,,,,,,,,  
33,1,,26013-060162,, "BOLT M 6X 16",2,2,2,,,,,,,,,,,,,  
34,1,,26013-060202,, "BOLT M 6X 20",2,2,2,,,,,,,,,,,,,  
35,1,,26013-060202,, "BOLT M 6X 20",2,2,2,,,,,,,,,,,,,  
36,1,,26013-060452,, "BOLT M 6X 45",1,1,1,,,,,,,,,,,,,  
37,1,,26013-080162,, "BOLT W/WASHER M8X16",2,2,2,,,,,,,,,,,,,  
38,1,,26116-100162,, "BOLT M10X 16 PLATED",3,3,3,,,,,,,,,,,,,  
39,1,,26776-180002,, "NUT M18, LOCK",2,2,2,,,,,,,,,,,,,  
40,1,,22157-060000,, "WASHER 6",3,3,3,,,,,,,,,,,,,





1,1,,172978-16501,, "HARNESS, QUICK HITCH",1,1,,,,,,,,,,,,,,,,,,,,,I  
2,1,,172458-17880,, BAND,2,,2,,,,,,,,,,,,,,,,,,,,,,,,,,,,,I  
3,1,,933152-09280,, "BAND 170",2,,2,,,,,,,,,,,,,,,,,,,,,,,,,,,,,I  
4,1,,933169-15231,, "STAPLE P-25",2,,2,,,,,,,,,,,,,,,,,,,,,,,,,,,,,I  
5,1,,172958-17100,, "BOX, SWITCH",1,1,,,,,,,,,,,,,,,,,,,,,,,,,,,,,I  
6,1,,172978-17100,, "STAY, SWITCH",1,1,,,,,,,,,,,,,,,,,,,,,,,,,,,,,I  
7,1,,172137-46210,, SCREW,3,,3,,,,,,,,,,,,,,,,,,,,,,,,,,,,,I  
8,1,,172455-61710,, "BOLT M 8X 16",2,,2,,,,,,,,,,,,,,,,,,,,,,,,,,,,,I  
9,1,,172187-64900,, PLUG,1,,1,,,,,,,,,,,,,,,,,,,,,,,,,,,,,I

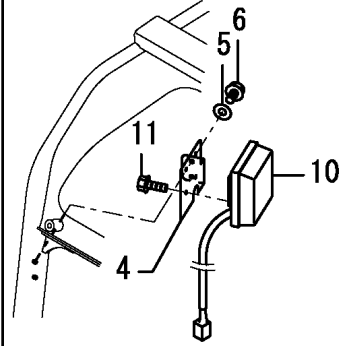
Silverhorn.CO.UK



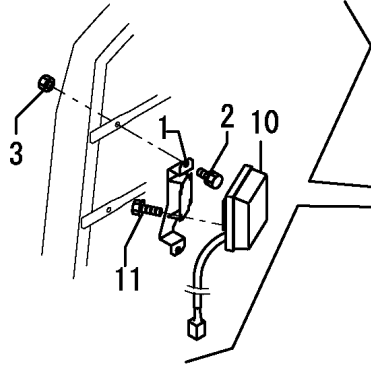
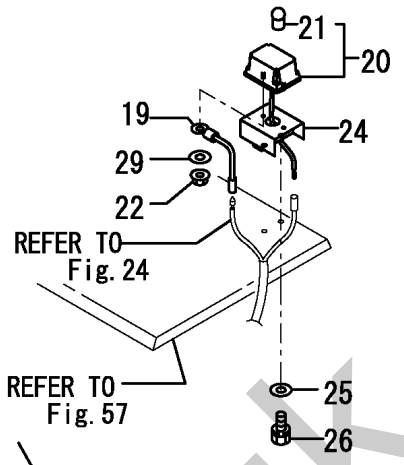
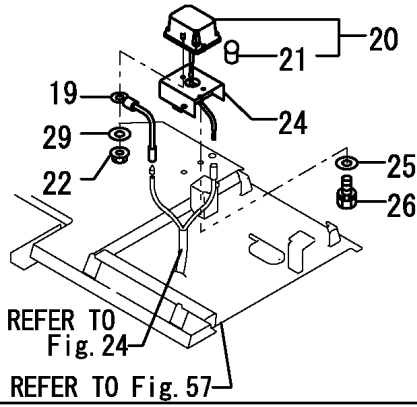


1,1,,172455-17251,, "BRACKET ASSY",1,,,,,,,,,,,,,,,,,,,,,  
 2,1,,26013-100202,, "BOLT W/WASHER M10X20",2,,,,,,,,,,,,,,,,,,,,,  
 3,1,,26716-100002,, "NUT 10",2,,,,,,,,,,,,,,,,,,,,,  
 4,1,,172478-17270,, "BRACKET,PANEL",,1,,,,,,,,,,,,,,,,,,,,,  
 5,1,,22137-080000,, "WASHER 8, POLISHED",,2,,,,,,,,,,,,,,,,,,,,,  
 6,1,,26013-080202,, "BOLT W/WASHER M8X20",,2,,,,,,,,,,,,,,,,,,,,,  
 7,1,,172455-17441,, "BOX, CONTROLLER",1,1,,,,,,,,,,,,,,,,,,,,,  
 8,1,,172455-17471,, "COVER,CONTROLLER BOX",1,1,,,,,,,,,,,,,,,,,,,,,  
 9,1,,172187-17861,, "CONTROLLER,CRANE",1,1,,,,,,,,,,,,,,,,,,,,,  
 10,1,,172187-17882,, "PANEL ASSY, CRANE",1,1,,,,,,,,,,,,,,,,,,,,,  
 11,1,,172164-45880,, "BOLT 6X 16",4,4,,,,,,,,,,,,,,,,,,,,,  
 12,1,,26013-080122,, "BOLT M 8X 12",4,4,,,,,,,,,,,,,,,,,,,,,  
 13,1,,172141-17150,, BUZZER,1,1,,,,,,,,,,,,,,,,,,,,,  
 14,1,,194080-57202,, RELAY,1,1,,,,,,,,,,,,,,,,,,,,,  
 15,1,,172164-68270,, SPACER,1,1,,,,,,,,,,,,,,,,,,,,,  
 16,1,,1E6910-82500,, "RELAY CA-1A",2,2,,,,,,,,,,,,,,,,,,,,,  
 17,1,,26013-060122,, "BOLT M 6X 12",1,1,,,,,,,,,,,,,,,,,,,,,  
 18,1,,26013-060202,, "BOLT M 6X 20",1,1,,,,,,,,,,,,,,,,,,,,,  
 19,1,,172647-16560,, "WIRE, EARTH",2,2,,,,,,,,,,,,,,,,,,,,,  
 20,1,,1E6300-81050,, "LAMP,FLASHER",2,2,,,,,,,,,,,,,,,,,,,,,  
 21,2,,172738-17120,, "BULB,12V 20W",2,2,,,,,,,,,,,,,,,,,,,,,  
 22,1,,26367-060002,, "NUT 6",4,4,,,,,,,,,,,,,,,,,,,,,  
 23,1,,172455-17130,, "STAY,LAMP C(GRAY:72)",1,,,,,,,,,,,,,,,,,,,,,  
 24,1,,172455-17170,, "STAY,LAMP (GREEN:97)",1,1,,,,,,,,,,,,,,,,,,,,,  
 25,1,,22137-100000,, "WASHER 10,POLISHED",2,2,,,,,,,,,,,,,,,,,,,,,  
 26,1,,26013-100162,, "BOLT M10X 16",2,2,,,,,,,,,,,,,,,,,,,,,  
 27,1,,172187-17721,, "STAY,LAMP",,1,,,,,,,,,,,,,,,,,,,,,  
 28,1,,26013-080122,, "BOLT M 8X 12",4,4,,,,,,,,,,,,,,,,,,,,,I  
 28-1,1,,26013-060122,, "BOLT M 6X 12",3,3,,,,,,,,,,,,,,,,,,,,,I  
 29,1,,22137-080000,, "WASHER 8, POLISHED",2,2,,,,,,,,,,,,,,,,,,,,,  
 30,1,,172156-78540,, "COLLAR 9X 18",4,,,,,,,,,,,,,,,,,,,,,  
 31,1,,20613-080352,, "BOLT W/WASHER M8X35",4,,,,,,,,,,,,,,,,,,,,,  
 32,1,,172126-16540,, "CLAMP 10X70",1,,,,,,,,,,,,,,,,,,,,,  
 33,1,,933152-09280,, "BAND 170",1,,,,,,,,,,,,,,,,,,,,,  
 34,1,,172455-63230,, "LEVEL GUAGE",1,1,,,,,,,,,,,,,,,,,,,,,  
 35,1,,172455-63240,, "STAY (GRAY:72)",1,1,,,,,,,,,,,,,,,,,,,,,  
 36,1,,22137-080000,, "WASHER 8, POLISHED",1,1,,,,,,,,,,,,,,,,,,,,,  
 37,1,,26013-080162,, "BOLT W/WASHER M8X16",1,1,,,,,,,,,,,,,,,,,,,,,  
 38,1,,26013-080162,, "BOLT W/WASHER M8X16",,4,,,,,,,,,,,,,,,,,,,,,  
 39,1,,26013-100162,, "BOLT M10X 16",,1,,,,,,,,,,,,,,,,,,,,,  
 40,1,,26022-030202,, "SCREW M3X20,PAN  
 HD.",2,2,,,,,W,,72455381,M/#20501,72455381,M/#20501,,,,,,I  
 41,1,,26716-030002,, "NUT  
 M3",2,2,,,,,W,,72455381,M/#20501,72455381,M/#20501,,,,,,I

キャノピ仕様  
CANOPY SPEC.

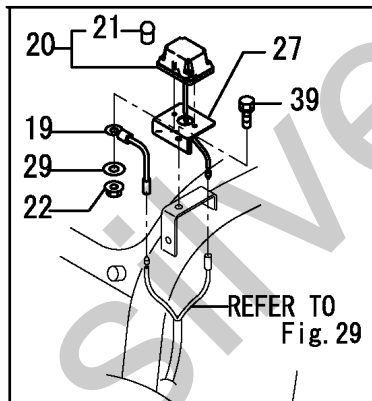
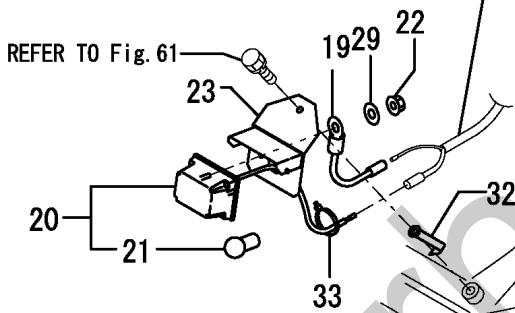


エアコン仕様  
AIR CONDITIONER SPEC.

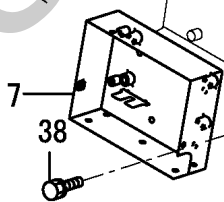


REFER TO Fig. 64

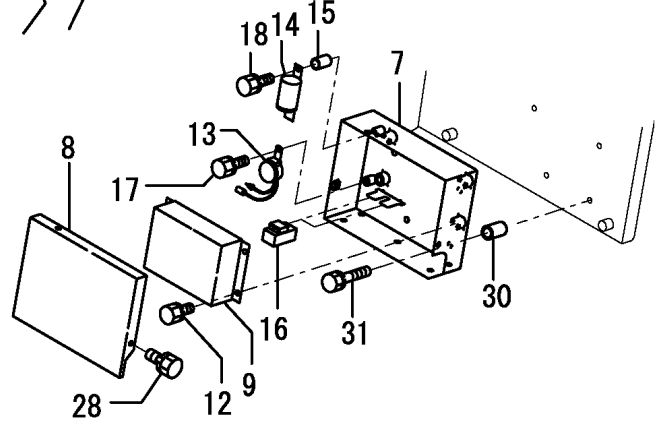
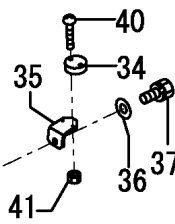
REFER TO Fig. 61



REFER TO Fig. 29



キャノピ仕様  
CANOPY SPEC.



172478-08550

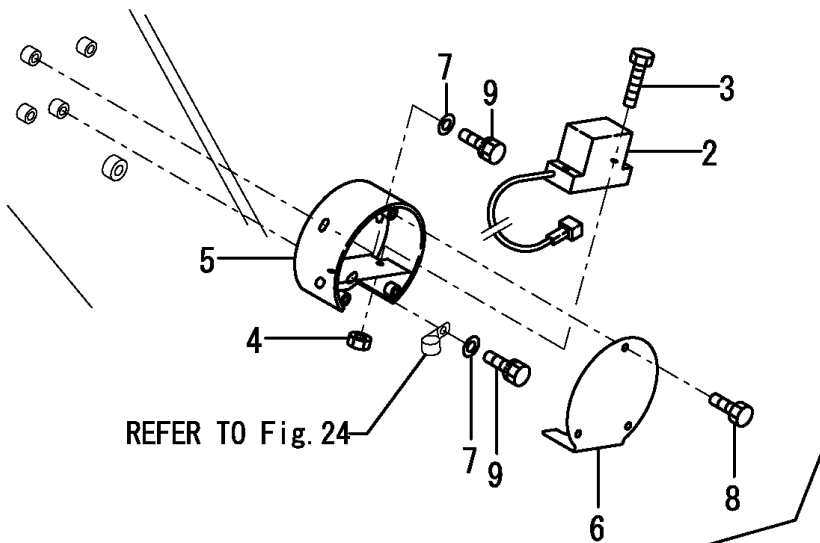
クレーンキット(キャビン)は、項目136を参照下さい。  
CRANE KIT(CABIN) is shown in Fig. 136.

172478-08560

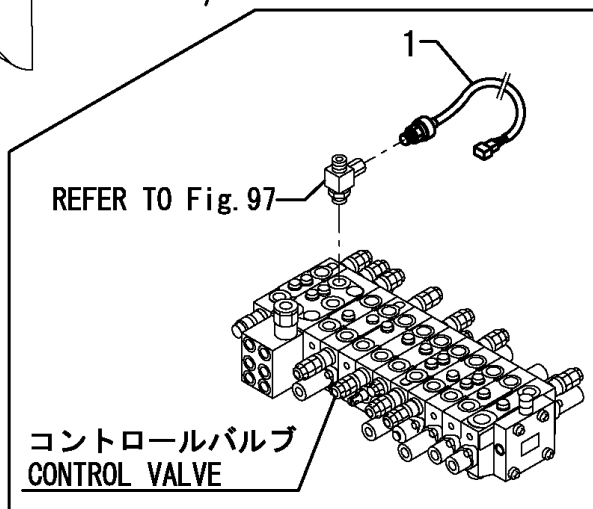
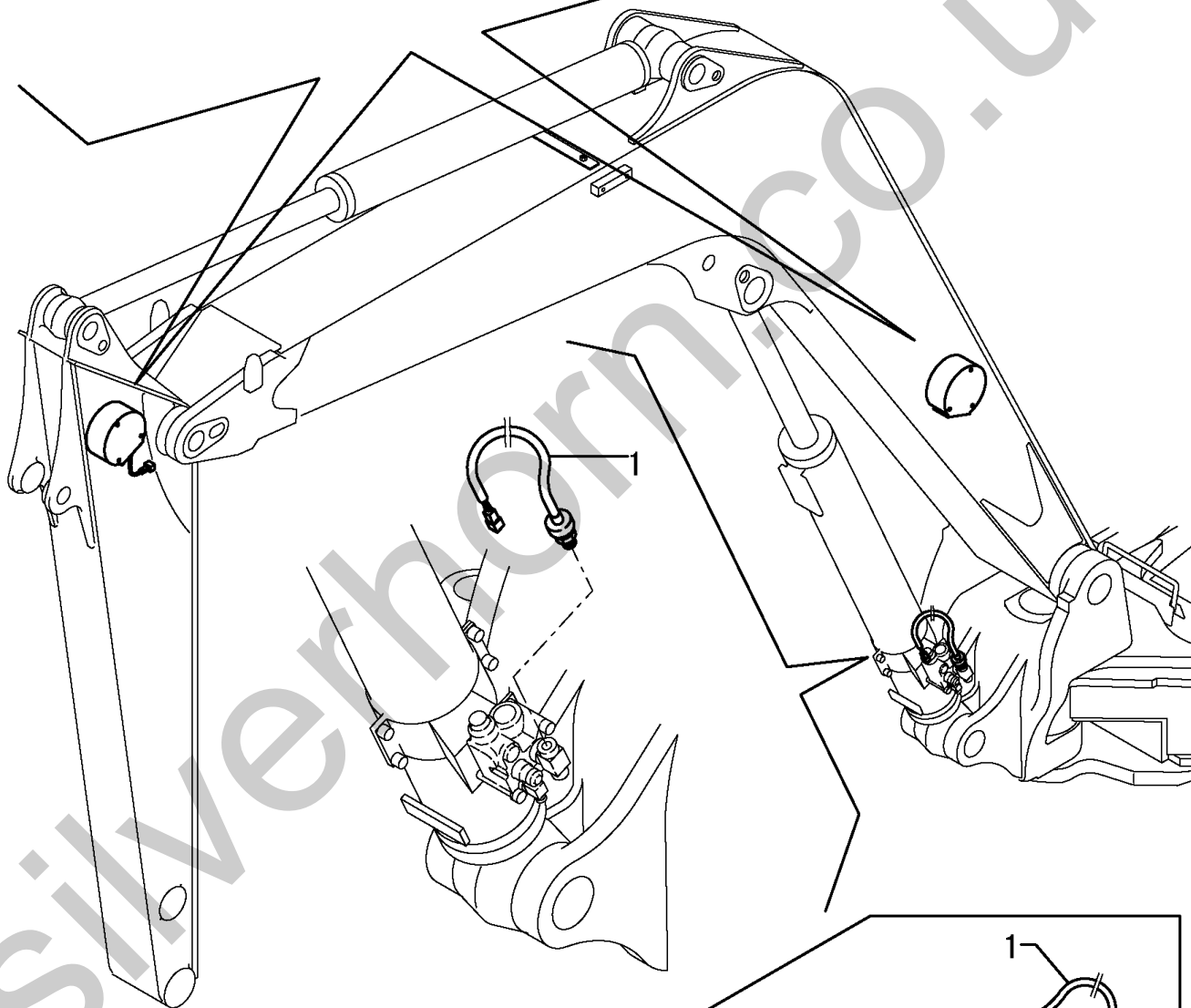
クレーンキット(キャノピ)は、項目136を参照下さい。  
CRANE KIT(CANOPY) is shown in Fig. 136.

1,1,,172187-17730,,SENSOR,2,2,,,,,,,,,,,,,  
2,1,,172187-17740,,SENSOR,2,2,,,,,,,,,,,,,  
3,1,,26116-060304,, "BOLT M 6X 30 PLATED",4,4,,,,,,,,,,,,,  
4,1,,26717-060002,, "NUT M 6",4,4,,,,,,,,,,,,,  
4-1,1,,26716-060002,, "NUT  
6",4,4,,,,,N,,72478089,M/#20598,72478089,M/#20597,,,,,,,,,I  
5,1,,172187-61800,, "CASE CMP (GREEN:97)",2,2,,,,,,,,,,,,,  
6,1,,172187-61840,, "COVER (GREEN:97)",2,2,,,,,,,,,,,,,  
7,1,,22137-080000,, "WASHER 8, POLISHED",8,8,,,,,,,,,,,,,  
8,1,,26116-060162,, "BOLT 6X16",6,6,,,,,,,,,,,,,  
9,1,,26013-080162,, "BOLT W/WASHER M8X16",8,8,,,,,,,,,,,,,

Silverhorn.CO.UK



REFER TO Fig. 24



REFER TO Fig. 97

コントロールバルブ  
CONTROL VALVE

172478-08550

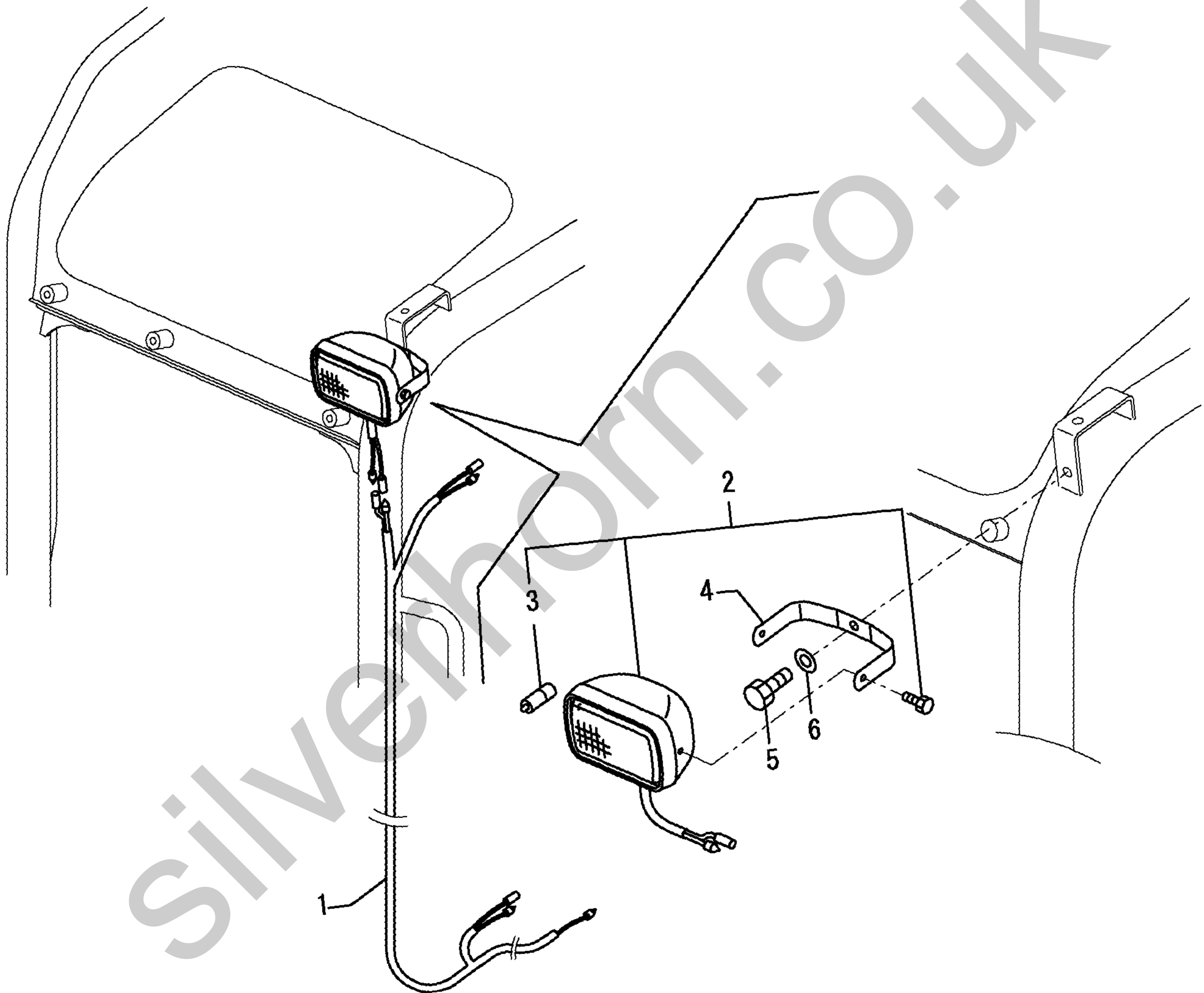
クレーンキット(キャビン)は、項目136を参照下さい。  
CRANE KIT(CABIN) is shown in Fig.136.

172478-08560

クレーンキット(キャノピ)は、項目136を参照下さい。  
CRANE KIT(CANOPY) is shown in Fig.136.

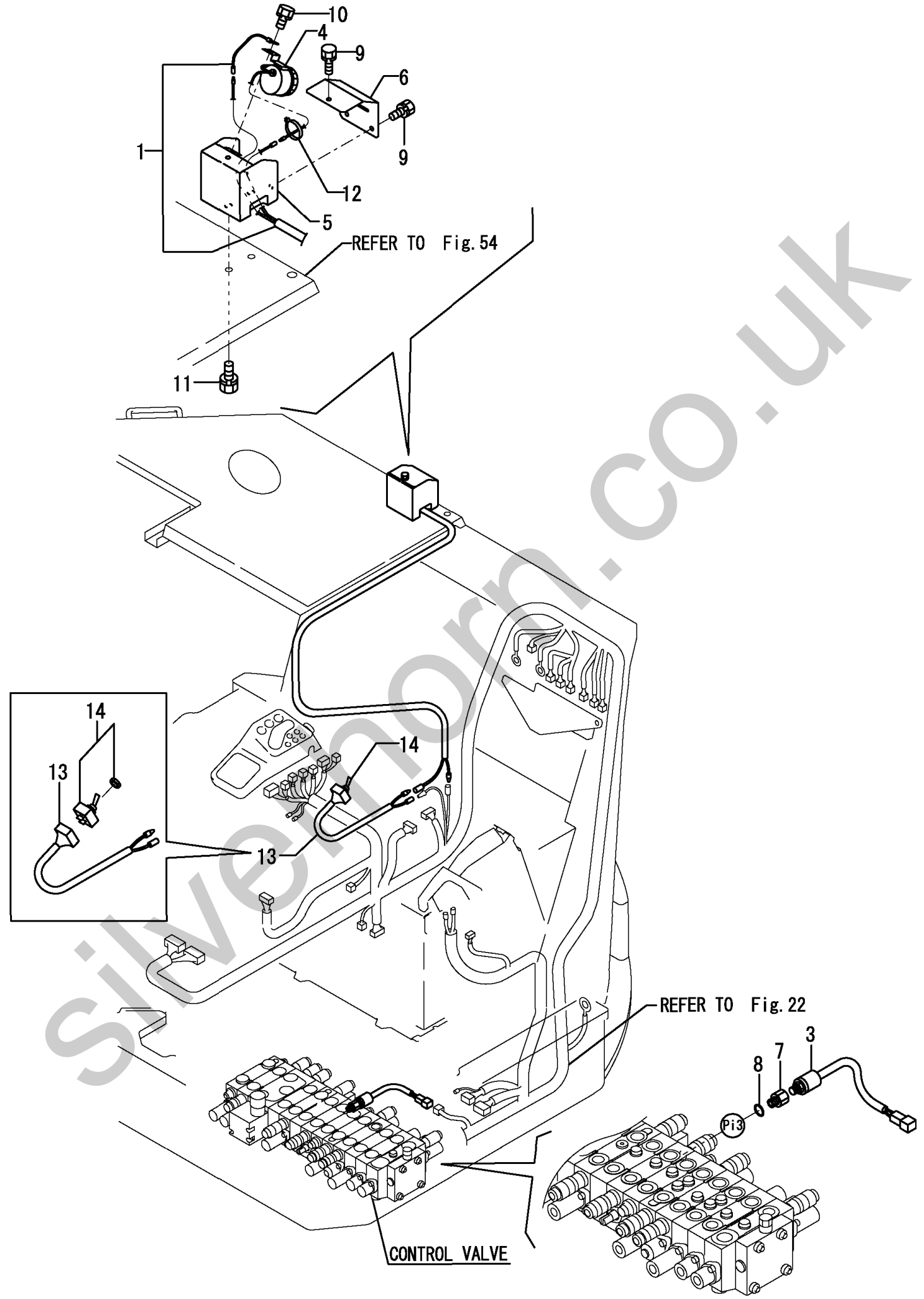
1,1,,172478-16550,, "HARNESS,CANOPY LAMP" ,,1,.....  
2,1,,172458-17400,, "LAMP 150X95" ,,1,.....  
3,2,,172458-17420,, "BULB,12V 55W" ,,1,.....  
4,1,,172458-17410-2,, "STAY (GRAY:72)" ,,1,.....  
5,1,,26013-100202,, "BOLT W/WASHER M10X20" ,,1,.....  
6,1,,22137-100000,, "WASHER 10,POLISHED" ,,1,.....

Silverhorn.CO.UK



1,1,,172478-16570,, "HANESS D",1,1,,,,,,,,,,,,,,,,,,,,,I  
3,1,,172478-17200,, "SWITCH,PRESSURE",1,1,,,,,,,,,,,,,,,,,,,,,I  
4,1,,172511-17351,, "BUZZER, BACK",1,1,,,,,,,,,,,,,,,,,,,,,I  
5,1,,172472-17400,, "CASE ASSY, ALARM",1,1,,,,,,,,,,,,,,,,,,,,,I  
6,1,,172472-17470,, "COVER, ALARM CASE",1,1,,,,,,,,,,,,,,,,,,,,,I  
7,1,,172156-76110,, "CONNECTOR",1,1,,,,,,,,,,,,,,,,,,,,,I  
8,1,,24315-000110,, "O-RING 1B P-11.0",1,1,,,,,,,,,,,,,,,,,,,,,I  
9,1,,26013-060122,, "BOLT M 6X 12",3,3,,,,,,,,,,,,,,,,,,,,,I  
10,1,,26013-080122,, "BOLT M 8X 12",1,1,,,,,,,,,,,,,,,,,,,,,I  
11,1,,26013-100162,, "BOLT M10X 16",2,2,,,,,,,,,,,,,,,,,,,,,I  
12,1,,933168-55770,, "BAND 146",1,1,,,,,,,,,,,,,,,,,,,,,I  
13,1,,172478-16600,, "HARNESS, E",1,1,,,,,,,,,,,,,,,,,,,,,I  
14,1,,172519-17280,, "SWITCH,TOGGLE",1,1,,,,,,,,,,,,,,,,,,,,,I

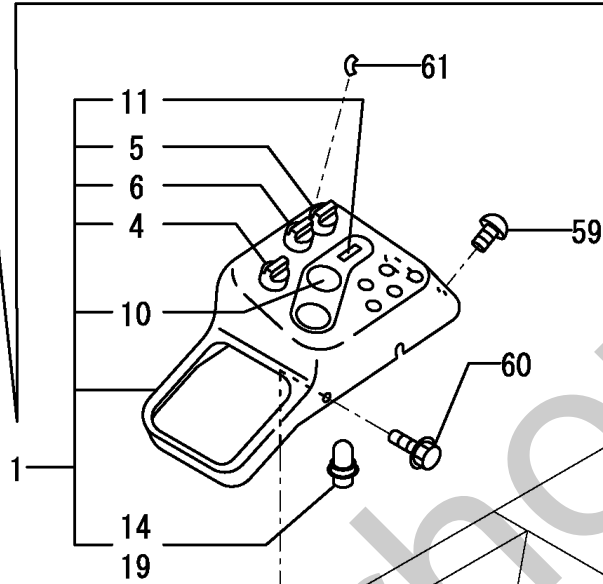
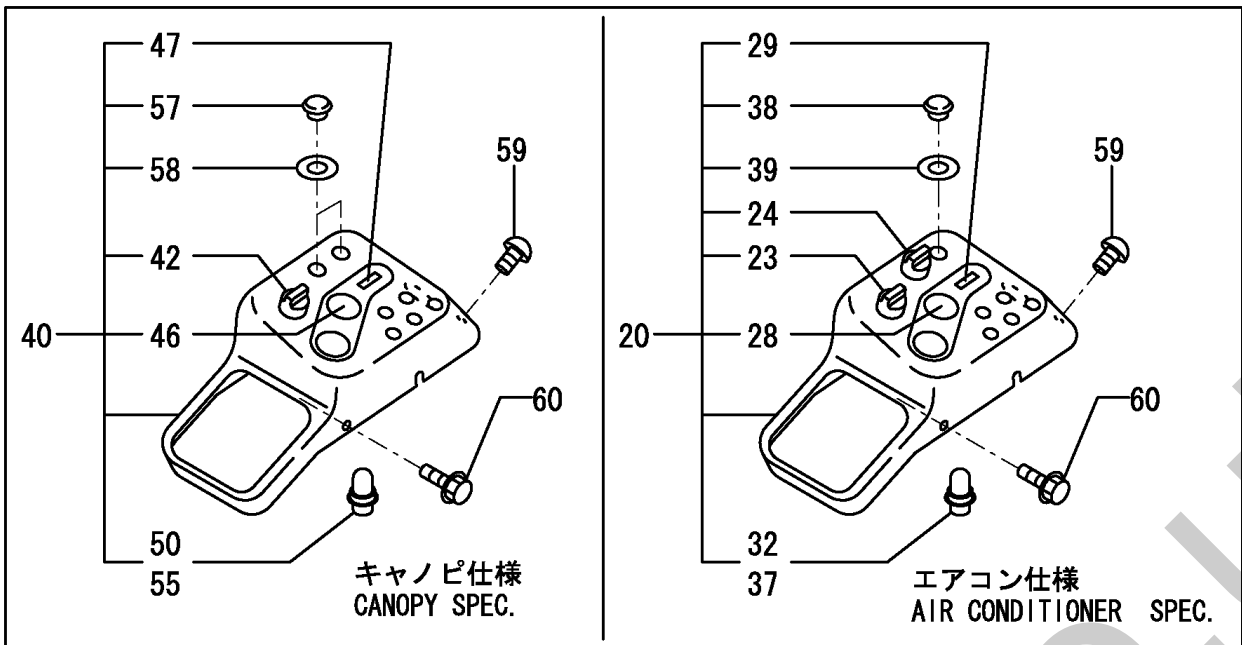
Silverhorn.CO.UK





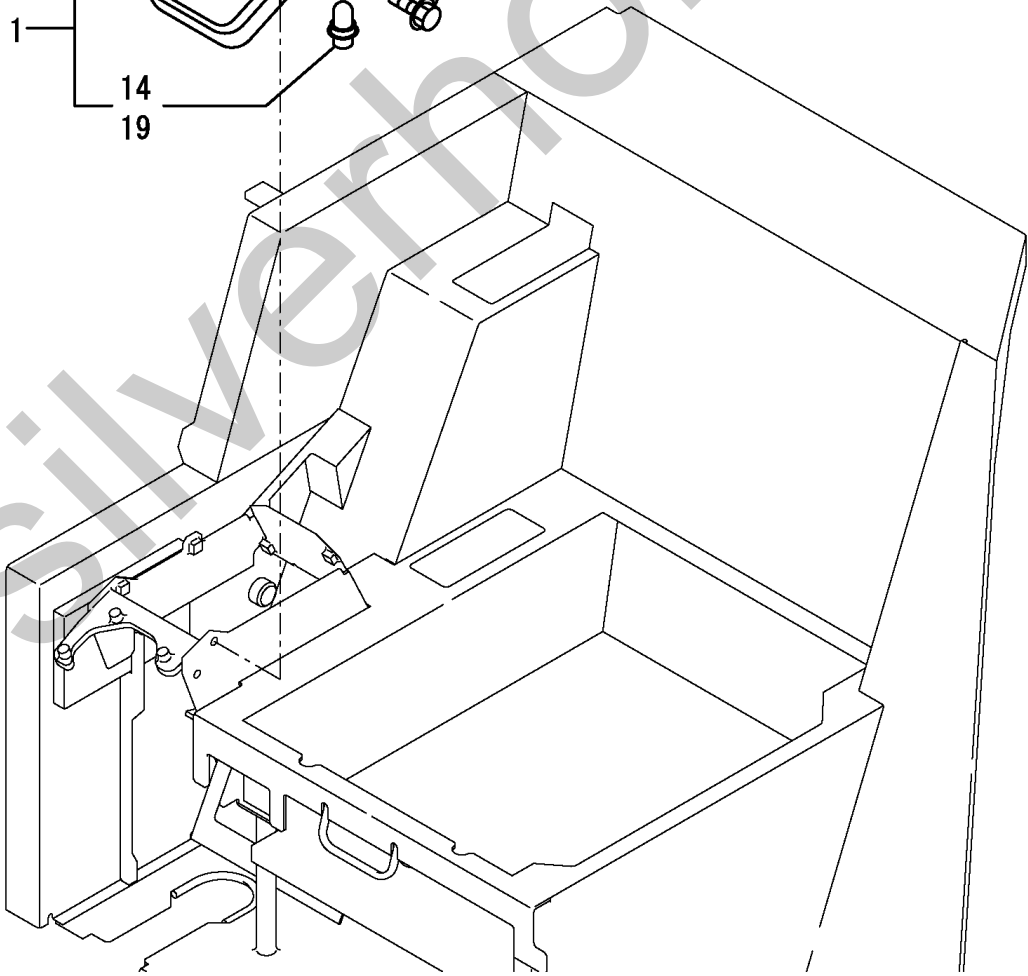
1,1,,172458-17250,, "BOX,INDICATOR(CABIN)",1,1,,,,,,,,,,,,,,,,,,,,,  
4,2,,172187-17280,, "SWITCH ASSY, LIGHT",1,1,,,,,,,,,,,,,,,,,,,,,I  
5,2,,172187-17290,, "SWITCH, HEATER",1,1,,,,,,,,,,,,,,,,,,,,,I  
6,2,,172187-17301,, "SWITCH ASSY, WIPER",1,1,,,,,,,,,,,,,,,,,,,,,I  
10,2,,172187-17341,, "GAUGE ASSY",1,1,,,,,,,,,,,,,,,,,,,,,I  
11,2,,172187-17350,, "METER ASSY, HOUR",1,1,,,,,,,,,,,,,,,,,,,,,I  
14,2,,172187-17380,, "BULB,T6.5-13.5V-2W",4,4,,,,,,,,,,,,,,,,,,,,,  
19,2,,172187-17480,, "BULB,T5-14V-2W",2,2,,,,,,,,,,,,,,,,,,,,,  
20,1,,172460-17200,, "BOX,INDICATOR(A/C)",1,1,,,,,,,,,,,,,,,,,,,,,  
23,2,,172187-17280,, "SWITCH ASSY, LIGHT",1,1,,,,,,,,,,,,,,,,,,,,,I  
24,2,,172187-17301,, "SWITCH ASSY, WIPER",1,1,,,,,,,,,,,,,,,,,,,,,I  
28,2,,172187-17341,, "GAUGE ASSY",1,1,,,,,,,,,,,,,,,,,,,,,I  
29,2,,172187-17350,, "METER ASSY, HOUR",1,1,,,,,,,,,,,,,,,,,,,,,I  
32,2,,172187-17380,, "BULB,T6.5-13.5V-2W",4,1,,,,,,,,,,,,,,,,,,,,,  
37,2,,172187-17480,, "BULB,T5-14V-2W",2,1,,,,,,,,,,,,,,,,,,,,,  
38,2,,172187-17560,, CAP,1,1,,,,,,,,,,,,,,,,,,,,,  
39,2,,172187-17570,, GASKET,1,1,,,,,,,,,,,,,,,,,,,,,  
40,1,,172458-17500,, "BOX,INDICATOR(CANOPY)",1,1,,,,,,,,,,,,,,,,,,,,,  
42,2,,172187-17280,, "SWITCH ASSY, LIGHT",1,1,,,,,,,,,,,,,,,,,,,,,I  
46,2,,172187-17341,, "GAUGE ASSY",1,1,,,,,,,,,,,,,,,,,,,,,I  
47,2,,172187-17350,, "METER ASSY, HOUR",1,1,,,,,,,,,,,,,,,,,,,,,I  
50,2,,172187-17380,, "BULB,T6.5-13.5V-2W",4,1,,,,,,,,,,,,,,,,,,,,,  
55,2,,172187-17480,, "BULB,T5-14V-2W",2,1,,,,,,,,,,,,,,,,,,,,,  
57,2,,172187-17560,, CAP,2,1,,,,,,,,,,,,,,,,,,,,,  
58,2,,172187-17570,, GASKET,2,1,,,,,,,,,,,,,,,,,,,,,  
59,1,,172458-46720,, "BOLT 8X20",2,2,2,,,,,,,,,,,,,,,,,,,,,  
60,1,,172519-63240,, "BOLT 8X 16",2,2,2,,,,,,,,,,,,,,,,,,,,,  
61,1,,172187-03690,, "LABEL(HEATER SWITCH)",1,1,,,,,,,,,,,,,,,,,,,,,I





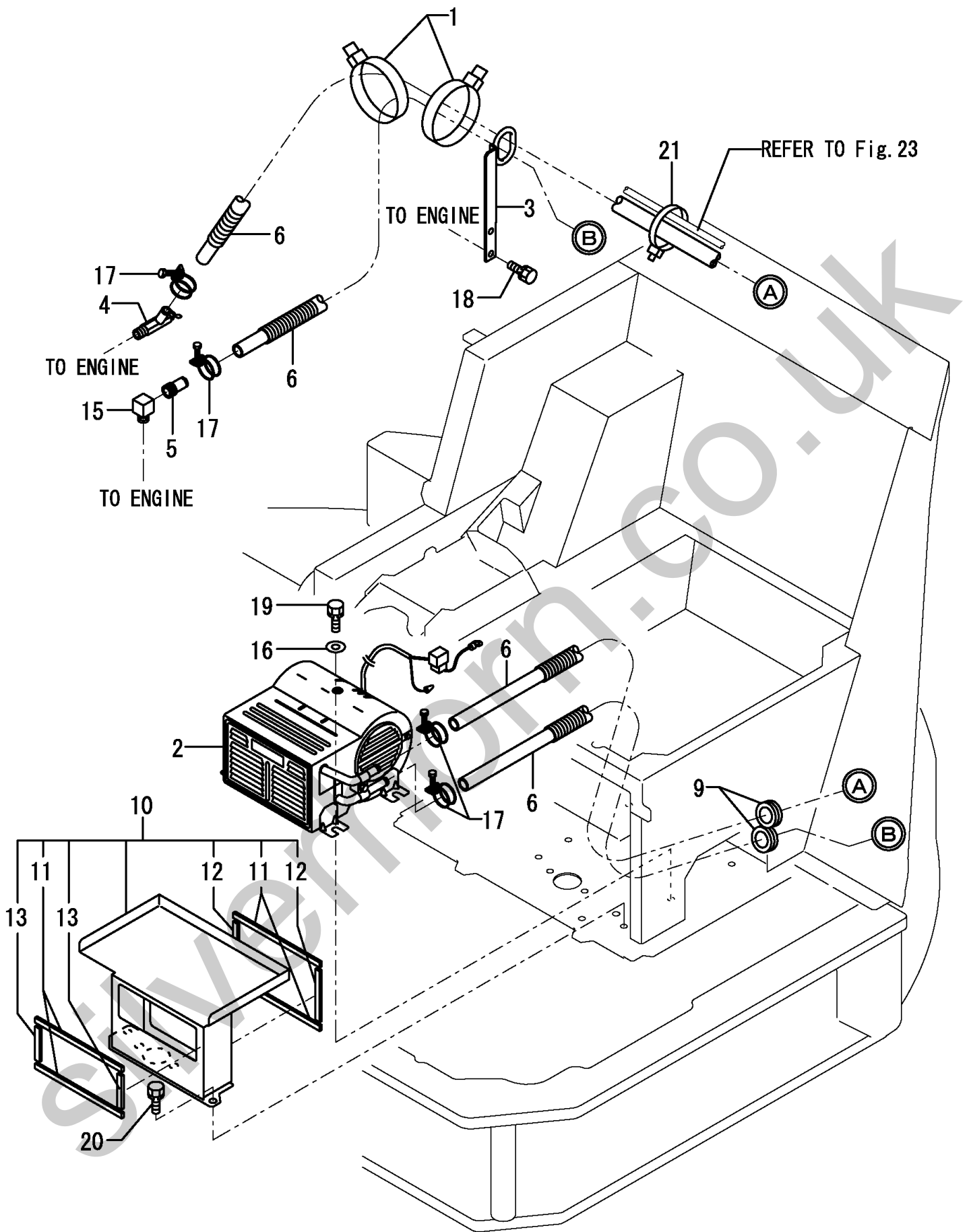
172478-08100  
 エアコンキットは、項目130を参照下さい。  
 AIR CONDITIONER KIT is shown in Fig.130.

172455-08160  
 ヒータキットは、項目131を参照下さい。  
 HEATER KIT is shown in Fig.131.



1,1,,172126-11510,, "BAND 300",2,,2,,,,,,,,,,,,,,,,,,,,,  
2,1,,172162-17601,, HEATER,1,,,,,,,,,,,,,,,,,,,,,  
2-1,1,,172162-17602,, HEATER,1,1,,,,,N,,72458449,M/#20501,,,,,,,,,,,,,I  
3,1,,172455-17601,, "GUIDE ASSY, HOSE",1,1,,,,,,,,,,,,,,,,,,,,,  
4,1,,172425-17630,, "VALVE ASSY, HEATER",1,1,,,,,,,,,,,,,,,,,,,,,  
5,1,,172124-17640,, "JOINT 3/8",1,1,,,,,,,,,,,,,,,,,,,,,  
6,1,,172175-17730,, "HOSE (A), HEATER",2,2,,,,,,,,,,,,,,,,,,,,,  
9,1,,933171-15680,, "GROMMET 40X13",2,2,,,,,,,,,,,,,,,,,,,,,  
10,1,,172455-64910,, "DUCT ASSY, HEATER",1,1,,,,,,,,,,,,,,,,,,,,,  
11,2,,172455-64110,, "SEAL A, HEATER",4,4,,,,,,,,,,,,,,,,,,,,,  
12,2,,172455-64120,, "SEAL B, HEATER",2,2,,,,,,,,,,,,,,,,,,,,,  
13,2,,172455-64130,, "SEAL C, HEATER",2,2,,,,,,,,,,,,,,,,,,,,,  
15,1,,172168-79520,, ELBOW,1,1,,,,,,,,,,,,,,,,,,,,,  
16,1,,22137-100000,, "WASHER 10,POLISHED",4,4,,,,,,,,,,,,,,,,,,,,,  
17,1,,23000-022000,, "CLAMP 22",4,,,,,,,,,,,,,,,,,,,,,  
17-1,1,,23001-022000,, "HOSE CLAMP 22",4,4,,,,,N,,72446124,M/#20613,,,,,,,,,,,,,I  
18,1,,26013-080162,, "BOLT W/WASHER M8X16",2,2,,,,,,,,,,,,,,,,,,,,,  
19,1,,26013-100202,, "BOLT W/WASHER M10X20",4,4,,,,,,,,,,,,,,,,,,,,,  
20,1,,26013-100202,, "BOLT W/WASHER M10X20",2,2,,,,,,,,,,,,,,,,,,,,,  
21,1,,933152-09280,, "BAND 170",1,1,,,,,,,,,,,,,,,,,,,,,

Silverhorn.CO.UK

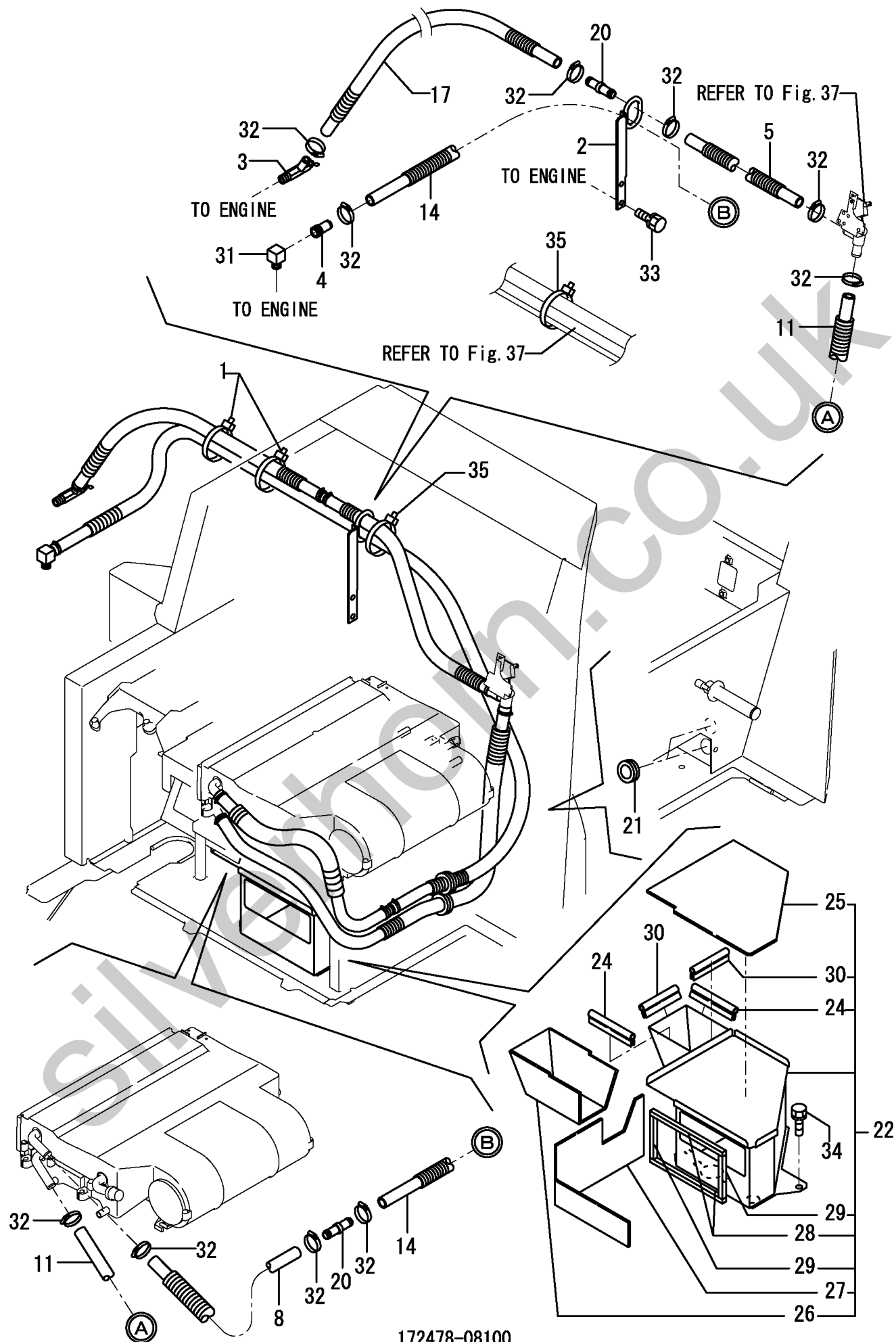


172455-08160

ヒータキットは、項目131を参照下さい。  
 HEATER KIT is shown in Fig. 131.

1,1,,172126-11510,, "BAND 300",2,,,,,,,,,,,,,,,,,,,,,  
2,1,,172455-17601,, "GUIDE ASSY, HOSE",1,,,,,,,,,,,,,,,,,,,,,  
3,1,,172425-17630,, "VALVE ASSY, HEATER",1,,,,,,,,,,,,,,,,,,,,,  
4,1,,172124-17640,, "JOINT 3/8",1,,,,,,,,,,,,,,,,,,,,,  
5,1,,172455-17780,, "HOSE, HEATER",1,,,,,,,,,,,,,,,,,,,,,  
8,1,,172455-17790,, "HOSE, HEATER 550",1,,,,,,,,,,,,,,,,,,,,,  
11,1,,172455-17800,, "HOSE, HEATER 1150",1,,,,,,,,,,,,,,,,,,,,,  
14,1,,172455-17830,, "HOSE, HEATER 1650",1,,,,,,,,,,,,,,,,,,,,,  
17,1,,172455-17860,, "HOSE, HEATER 500",1,,,,,,,,,,,,,,,,,,,,,  
20,1,,172455-17930,, "JOINT, HEATER HOSE",2,,,,,,,,,,,,,,,,,,,,,  
21,1,,933171-15680,, "GROMMET 40X13",2,,,,,,,,,,,,,,,,,,,,,  
22,1,,172455-63600,, "DUCT ASSY",1,,,,,,,,,,,,,,,,,,,,,  
24,2,,172455-63660,, "SEAL 115",2,,,,,,,,,,,,,,,,,,,,,  
25,2,,172455-63700,, SEAT,1,,,,,,,,,,,,,,,,,,,,,  
26,2,,172455-63710,, SEAT,1,,,,,,,,,,,,,,,,,,,,,  
27,2,,172455-63720,, SEAT,1,,,,,,,,,,,,,,,,,,,,,  
28,2,,172455-64110,, "SEAL A, HEATER",2,,,,,,,,,,,,,,,,,,,,,  
29,2,,172455-64130,, "SEAL C, HEATER",2,,,,,,,,,,,,,,,,,,,,,  
30,2,,172164-66650,, "RUBBER, SEAL 95",2,,,,,,,,,,,,,,,,,,,,,  
31,1,,172168-79520,, ELBOW,1,,,,,,,,,,,,,,,,,,,,,  
32,1,,23000-022000,, "CLAMP 22",10,,,,,,,,,,,,,,,,,,,,,  
32-1,1,,23001-022000,, "HOSE CLAMP 22",10,,,,,N,,72446124,M/#20613,,,,,,I  
33,1,,26013-080162,, "BOLT W/WASHER M8X16",2,,,,,,,,,,,,,,,,,,,,,  
34,1,,26013-100202,, "BOLT W/WASHER M10X20",2,,,,,,,,,,,,,,,,,,,,,  
35,1,,933152-09280,, "BAND 170",1,,,,,,,,,,,,,,,,,,,,,



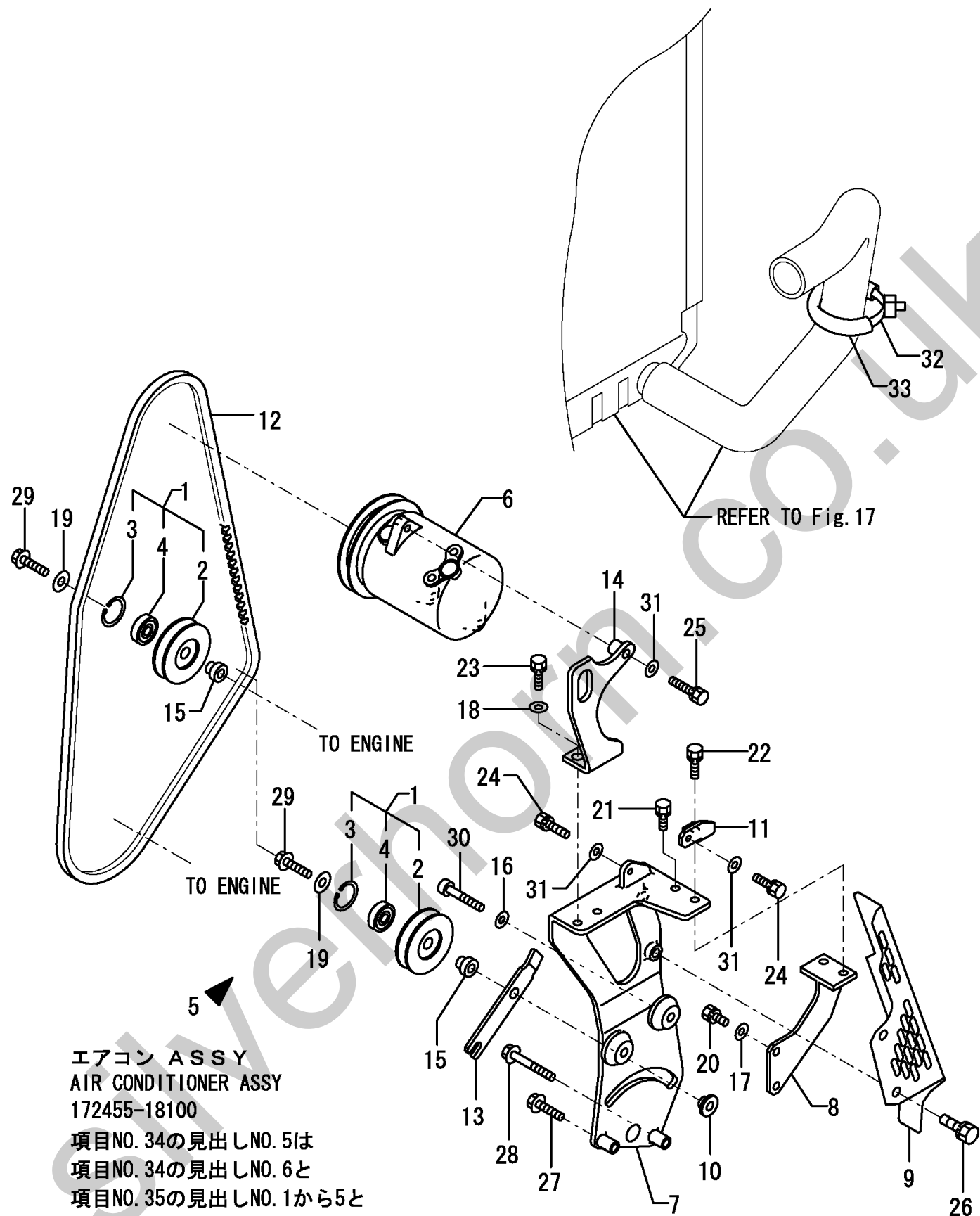


172478-08100

エアコンキットは、項目130を参照下さい。  
 AIR CONDITIONER KIT is shown in Fig.130.

1,1,,172187-11100,, "PULLEY ASSY, TENSION",2,,,,,,,,,,,,,,,,,,,,,  
2,2,,172187-11121,, "PULLEY, TENSION",2,,,,,,,,,,,,,,,,,,,,,  
3,2,,22252-000350,, "CIRCLIP 35",2,,,,,,,,,,,,,,,,,,,,,  
4,2,,24104-062020,, "BALL BEARING",2,,,,,,,,,,,,,,,,,,,,,  
5,1,,172455-18100,, "AIR CON. ASSY",1,,,,,,,,,,,,,,,,,,,,,  
6,2,,172445-18201,, COMPRESSOR,1,,,,,,,,,,,,,,,,,,,,,  
7,1,,172187-18300,, "BRACKET (A)",1,,,,,,,,,,,,,,,,,,,,,  
8,1,,172187-18340,, "BRACKET (B)",1,,,,,,,,,,,,,,,,,,,,,  
9,1,,172187-18401,, "GUARD, BELT",1,,,,,,,,,,,,,,,,,,,,,  
10,1,,172187-18410,, NUT,1,,,,,,,,,,,,,,,,,,,,,  
11,1,,172187-18420,, BRACKET,1,,,,,,,,,,,,,,,,,,,,,  
12,1,,172187-18451,, V-BELT,1,,,,,,,,,,,,,,,,,,,,,  
13,1,,172187-18500,, "BAR, ADJUSTING",1,,,,,,,,,,,,,,,,,,,,,  
14,1,,172455-18560,, "BRACKET, COMP.",1,,,,,,,,,,,,,,,,,,,,,  
15,1,,129466-96240,, SPACER,2,,,,,,,,,,,,,,,,,,,,,  
16,1,,22137-080000,, "WASHER 8, POLISHED",2,,,,,,,,,,,,,,,,,,,,,  
17,1,,22137-080000,, "WASHER 8, POLISHED",2,,,,,,,,,,,,,,,,,,,,,  
18,1,,22137-080000,, "WASHER 8, POLISHED",2,,,,,,,,,,,,,,,,,,,,,  
19,1,,22137-100000,, "WASHER 10, POLISHED",2,,,,,,,,,,,,,,,,,,,,,  
20,1,,26013-080162,, "BOLT W/WASHER M8X16",2,,,,,,,,,,,,,,,,,,,,,  
21,1,,26013-080162,, "BOLT W/WASHER M8X16",1,,,,,,,,,,,,,,,,,,,,,  
22,1,,26013-080252,, "BOLT M 8X 25",1,,,,,,,,,,,,,,,,,,,,,  
23,1,,26013-080252,, "BOLT M 8X 25",2,,,,,,,,,,,,,,,,,,,,,  
24,1,,26013-080252,, "BOLT M 8X 25",2,,,,,,,,,,,,,,,,,,,,,  
25,1,,26013-080352,, "BOLT M 8X 35",1,,,,,,,,,,,,,,,,,,,,,  
26,1,,26013-100162,, "BOLT M10X 16",2,,,,,,,,,,,,,,,,,,,,,  
27,1,,26106-080352,, "BOLT M 8X 35 PLATED",1,,,,,,,,,,,,,,,,,,,,,  
28,1,,26106-080602,, "BOLT M 8X 60 PLATED",1,,,,,,,,,,,,,,,,,,,,,  
29,1,,26106-100352,, "BOLT M10X 35 PLATED",2,,,,,,,,,,,,,,,,,,,,,  
30,1,,26450-080502,, "BOLT 8X50",2,,,,,,,,,,,,,,,,,,,,,  
31,1,,22137-080000,, "WASHER 8, POLISHED",3,,,,,,,,,,,,,,,,,,,,,  
32,1,,172126-11510,, "BAND 300",1,,,,,,,,,,,,,,,,,,,,,  
33,1,,172478-18500,, "HOSE 9X11X250",1,,,,,,W,72478077,M/#20521,,,,,,,,,,,,,I





エアコン ASSY  
 AIR CONDITIONER ASSY  
 172455-18100

項目NO. 34の見出しNO. 5は  
 項目NO. 34の見出しNO. 6と  
 項目NO. 35の見出しNO. 1から5と  
 項目NO. 36の見出しNO. 1から4と  
 項目NO. 37の見出しNO. 1から9を含みます。

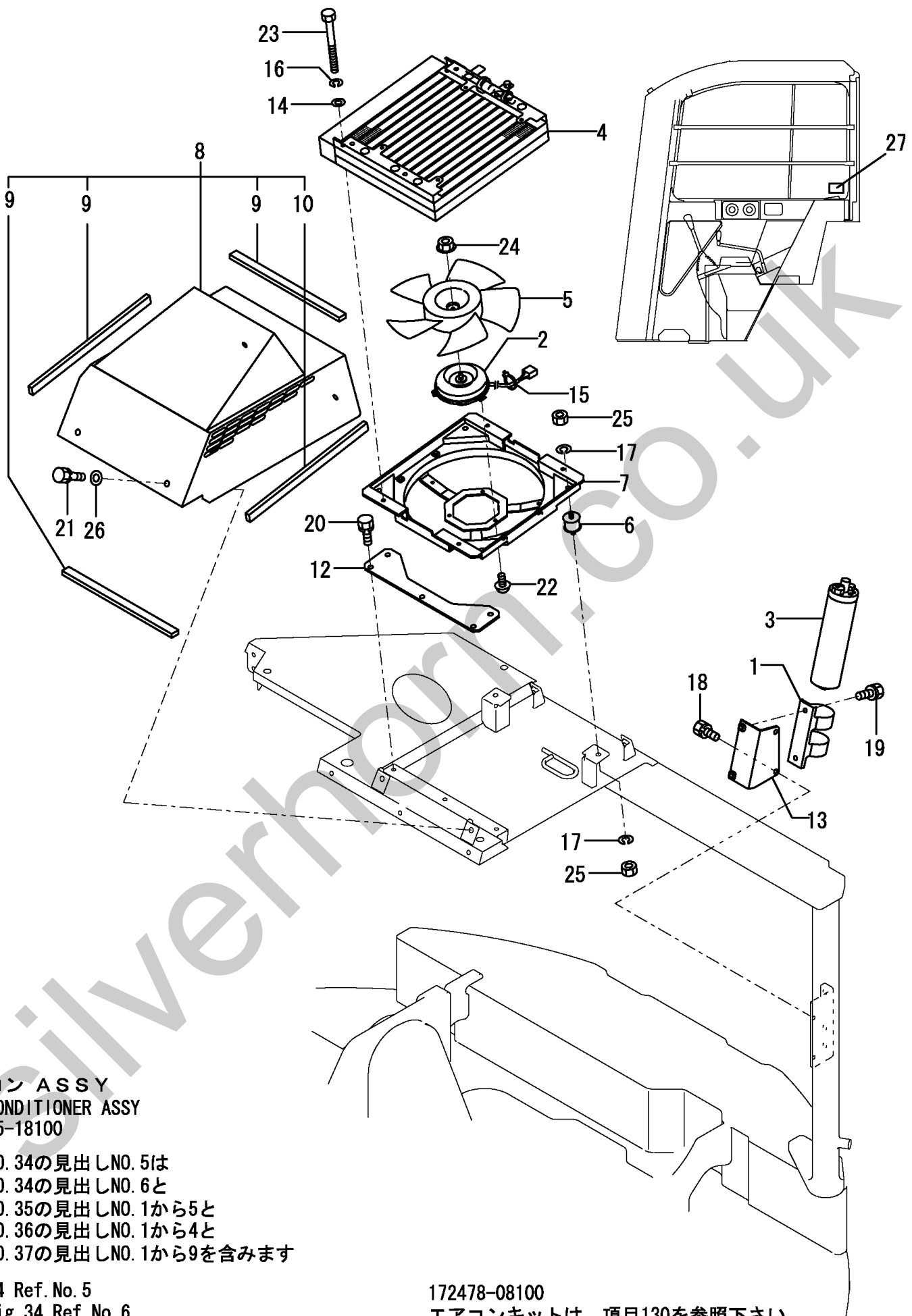
Fig. 34 Ref. No. 5  
 inc Fig. 34 Ref. No. 6  
 Fig. 35 Ref. No. 1~5  
 Fig. 36 Ref. No. 1~4  
 Fig. 37 Ref. No. 1~9

172478-08100  
 エアコンキットは、項目130を参照下さい。  
 AIR CONDITIONER KIT is shown in Fig.130.



1,2,,172162-18040,,BRACKET,1,,,,,,,,,,,,,,,,,,,,,  
2,2,,172164-18080,,MOTOR,1,,,,,,,,,,,,,,,,,,,,,  
3,2,,172187-18110,,DRIER,1,,,,,,,,,,,,,,,,,,,,,  
4,2,,172164-18780,,CONDENSER,1,,,,,,,,,,,,,,,,,,,,,  
5,2,,172164-18790,,FAN,1,,,,,,,,,,,,,,,,,,,,,  
6,1,,172122-13310,, "MOUNT, RADIATOR",4,,,,,,,,,,,,,,,,,,,,,  
7,1,,172455-18290,, "COVER, COND. FAN",1,,,,,,,,,,,,,,,,,,,,,  
8,1,,172455-18331,, "COVER ASSY, CND (97)",1,,,,,,,,,,,,,,,,,,,,,  
9,2,,172455-18340,, "SEAL A",3,,,,,,,,,,,,,,,,,,,,,  
10,2,,172455-18350,, "SEAL B",1,,,,,,,,,,,,,,,,,,,,,  
12,1,,172455-18500,, "PLATE, COND.",1,,,,,,,,,,,,,,,,,,,,,  
13,1,,172455-18940,, "BRACKET, R/D",1,,,,,,,,,,,,,,,,,,,,,  
14,1,,22137-060000,, "WASHER 6, POLISHED",4,,,,,,,,,,,,,,,,,,,,,  
15,1,,933152-09280,, "BAND 170",2,,,,,,,,,,,,,,,,,,,,,  
16,1,,22217-060000,, "SPRING WASHER 6",4,,,,,,,,,,,,,,,,,,,,,  
17,1,,22217-080000,, "SPRING WASHER 8",8,,,,,,,,,,,,,,,,,,,,,  
18,1,,26013-080122,, "BOLT M 8X 12",2,,,,,,,,,,,,,,,,,,,,,  
19,1,,26013-080202,, "BOLT W/WASHER M8X20",2,,,,,,,,,,,,,,,,,,,,,  
20,1,,26013-080202,, "BOLT W/WASHER M8X20",3,,,,,,,,,,,,,,,,,,,,,  
21,1,,26013-100202,, "BOLT W/WASHER M10X20",4,,,,,,,,,,,,,,,,,,,,,  
22,1,,26023-050122,, "SCREW M 5X 12",3,,,,,,,,,,,,,,,,,,,,,  
23,1,,26116-060602,, "BOLT M 6X 60 PLATED",4,,,,,,,,,,,,,,,,,,,,,  
24,1,,26367-050002,, "NUT M 5",1,,,,,,,,,,,,,,,,,,,,,  
25,1,,26716-080002,, "NUT M 8",8,,,,,,,,,,,,,,,,,,,,,  
26,1,,22137-100000,, "WASHER 10, POLISHED",4,,,,,W,,72488012,M/#20622,,,,,,I  
27,1,,172478-03900,, "LABEL (FRON GAS",1,,,,,W,,72458488,M/#20613,,,,,,I





エアコン ASSY  
AIR CONDITIONER ASSY  
172455-18100

項目NO. 34の見出しNO. 5は  
項目NO. 34の見出しNO. 6と  
項目NO. 35の見出しNO. 1から5と  
項目NO. 36の見出しNO. 1から4と  
項目NO. 37の見出しNO. 1から9を含みます

Fig. 34 Ref. No. 5

inc Fig. 34 Ref. No. 6

Fig. 35 Ref. No. 1~5

Fig. 36 Ref. No. 1~4

Fig. 37 Ref. No. 1~9

172478-08100

エアコンキットは、項目130を参照下さい。  
AIR CONDITIONER KIT is shown in Fig. 130.

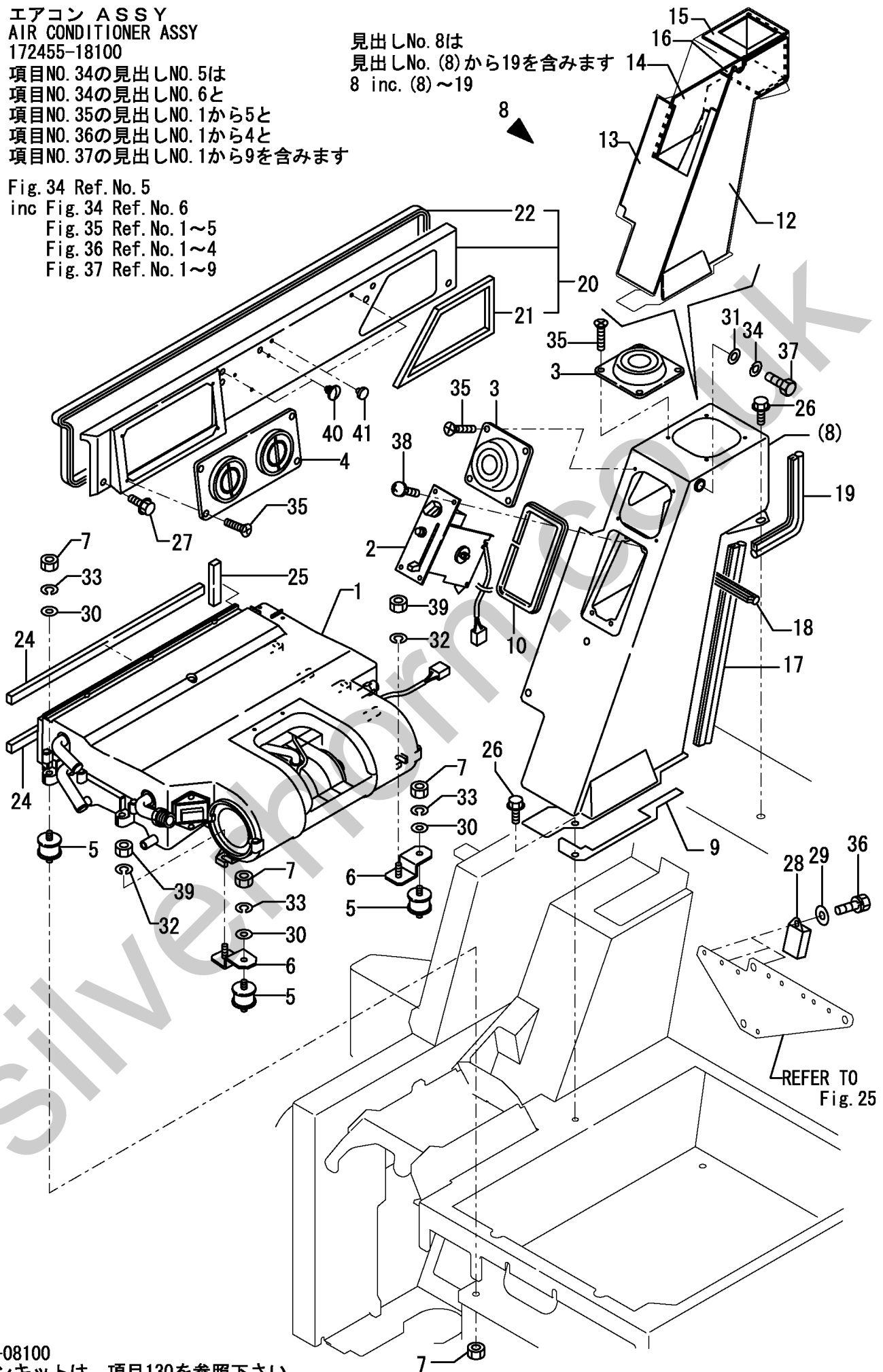
1,2,,172455-18120,, "UNIT, AIR CON.",1,,,,,,,,,,,,,  
2,2,,172455-18140,, "SWITCH, CONTROL",1,,,,,,,,,,,,,  
3,2,,197830-87910,, GRILLE,2,,,,,,,,,,,,,  
4,2,,197821-88070,, GRILLE,1,,,,,,,,,,,,,  
5,1,,172124-13500,, "MOUNT, RADIATOR",4,,,,,,,,,,,,,  
6,1,,172455-18520,, "BRACKET, A/U",2,,,,,,,,,,,,,  
7,1,,26712-080002,, "NUT M 8",8,,,,,,,,,,,,,  
8,1,,172478-18600,, "DUCT,A/C (GRAY:72)",1,,,,,,,,,,,,,  
8-1,1,,172478-18601,, "DUCT ASSY, AC",1,,,,,N,,72478059,M/#20557,,,,,,I  
9,2,,172455-18610,, "SEAL A, DUCT",1,,,,,,,,,,,,,  
10,2,,172455-18640,, RUBBER,1,,,,,,,,,,,,,  
12,2,,172455-19110,, SEAT,1,,,,,,,,,,,,,  
13,2,,172455-19120,, SEAT,1,,,,,,,,,,,,,  
14,2,,172455-19130,, SEAT,1,,,,,,,,,,,,,  
15,2,,172455-19140,, SEAT,1,,,,,,,,,,,,,  
16,2,,172455-19150,, SEAT,1,,,,,,,,,,,,,  
17,2,,172141-65330,, RUBBER(R),1,,,,,,,,,,,,,  
18,2,,172175-65530,, SEAL,1,,,,,,,,,,,,,  
19,2,,172175-65680,, SEAL,1,,,,,,,,,,,,,  
20,1,,172478-18800,, "DUCT,CABIN (GRAY:72)",1,,,,,,,,,,,,,  
21,2,,172455-18810,, "SEAL 1, DUCT",1,,,,,,,,,,,,,  
21-1,2,,172455-18811,, "SEAL 1, DUCT",1,,,,,N,,72478083,M/#20557,,,,,,I  
22,2,,172455-18820,, "SEAL 2, DUCT",1,,,,,,,,,,,,,  
24,1,,172455-18860,, "SEAL A, UNIT",2,,,,,,,,,,,,,  
25,1,,172455-18870,, "SEAL B, UNIT",1,,,,,,,,,,,,,  
26,1,,172519-63240,, "BOLT 8X 16",4,,,,,,,,,,,,,  
27,1,,172165-66980,, "BOLT M 8X 25",4,,,,,,,,,,,,,  
28,1,,119247-77100,, "RELAY, SAFETY",3,,,,,,,,,,,,,  
29,1,,22137-060000,, "WASHER 6, POLISHED",3,,,,,,,,,,,,,  
30,1,,22137-080000,, "WASHER 8, POLISHED",4,,,,,,,,,,,,,  
31,1,,22137-080000,, "WASHER 8, POLISHED",1,,,,,Z,,72478075,M/#20557,,,,,,I  
32,1,,22217-080000,, "SPRING WASHER 8",2,,,,,,,,,,,,,  
33,1,,22217-080000,, "SPRING WASHER 8",4,,,,,,,,,,,,,  
34,1,,22217-080000,, "SPRING WASHER 8",1,,,,,Z,,72478075,M/#20557,,,,,,I  
35,1,,22869-400160,, SCREW,12,,,,,,,,,,,,,  
36,1,,26013-060122,, "BOLT M 6X 12",3,,,,,,,,,,,,,  
37,1,,26116-081502,, "BOLT M 8X150  
PLATED",1,,,,,Z,,72478075,M/#20557,,,,,,I  
38,1,,26559-050202,, SCREW,4,,,,,,,,,,,,,  
39,1,,26712-080002,, "NUT M 8",2,,,,,,,,,,,,,  
40,1,,172444-17660,, CLIP,2,,,,,W,,72478134,M/#20614,,,,,,I  
41,1,,172176-67790,, PLUG,2,,,,,W,,72978020,XXX,,,,,,I

エアコン ASSY  
AIR CONDITIONER ASSY  
172455-18100

項目NO. 34の見出しNO. 5は  
項目NO. 34の見出しNO. 6と  
項目NO. 35の見出しNO. 1から5と  
項目NO. 36の見出しNO. 1から4と  
項目NO. 37の見出しNO. 1から9を含みます

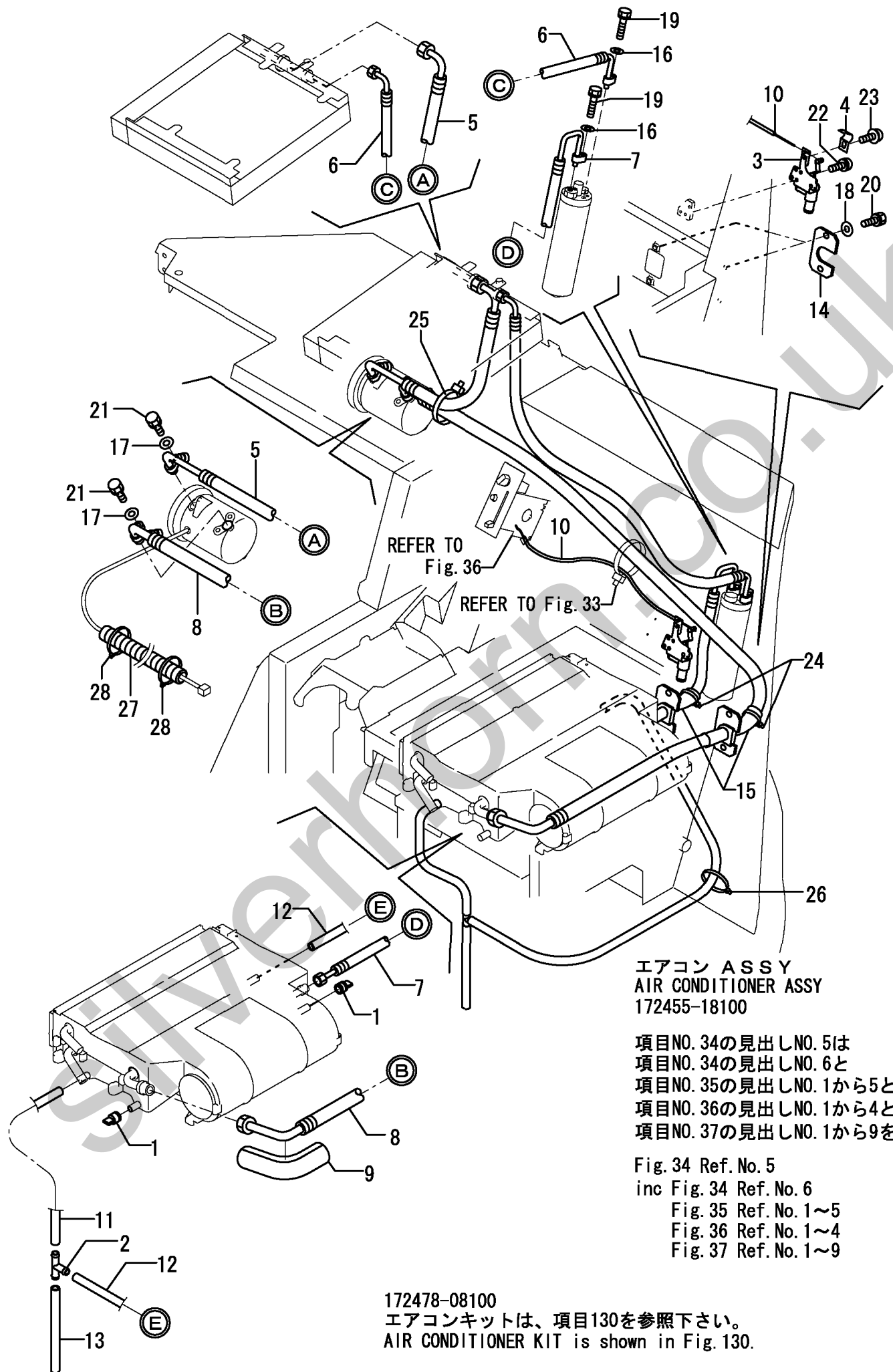
Fig. 34 Ref. No. 5  
inc Fig. 34 Ref. No. 6  
Fig. 35 Ref. No. 1~5  
Fig. 36 Ref. No. 1~4  
Fig. 37 Ref. No. 1~9

見出しNo. 8は  
見出しNo. (8)から19を含みます 14  
8 inc. (8)~19



1,2,,172162-18070,, "PLUG, DRAIN",2,,,,,,,,,,,,,,,,,,,,,  
 2,2,,172165-18080,,CONNECTOR,1,,,,,,,,,,,,,,,,,,,,,  
 3,2,,172455-18160,, "VALVE, HOT WATER",1,,,,,,,,,,,,,,,,,,,,,  
 4,2,,172455-18170,, "CLAMP, VALVE",1,,,,,,,,,,,,,,,,,,,,,  
 5,2,,172455-18180,, "HOSE, COMP.-COND.",1,,,,,,,,,,,,,,,,,,,,,  
 6,2,,172455-18190,, "HOSE, COND.-R/D",1,,,,,,,,,,,,,,,,,,,,,  
 7,2,,172455-18200,, "HOSE, R/D-A/U",1,,,,,,,,,,,,,,,,,,,,,  
 8,2,,172455-18210,, "HOSE, A/U-COMP.",1,,,,,,,,,,,,,,,,,,,,,  
 9,2,,197821-88380,,INSULATOR,1,,,,,,,,,,,,,,,,,,,,,  
 10,1,,172455-18540,, "WIRE, VALVE",1,,,,,,,,,,,,,,,,,,,,,  
 11,1,,172455-18250,, "HOSE A, DRAIN",1,,,,,,,,,,,,,,,,,,,,,  
 12,1,,172455-18260,, "HOSE B, DRAIN",1,,,,,,,,,,,,,,,,,,,,,  
 13,1,,172455-18270,, "HOSE C, DRAIN",1,,,,,,,,,,,,,,,,,,,,,  
 14,1,,172455-18510,,PLATE,2,,,,,,,,,,,,,,,,,,,,,  
 15,1,,172455-19210,, "SPONGE 100",2,,,,,,,,,,,,,,,,,,,,,  
 16,1,,22137-060000,, "WASHER 6, POLISHED",2,,,,,,,,,,,,,,,,,,,,,  
 17,1,,22137-080000,, "WASHER 8, POLISHED",2,,,,,,,,,,,,,,,,,,,,,  
 18,1,,22137-080000,, "WASHER 8, POLISHED",4,,,,,,,,,,,,,,,,,,,,,  
 19,1,,26013-060252,, "BOLT M 6X 25",2,,,,,,,,,,,,,,,,,,,,,  
 20,1,,26013-080202,, "BOLT W/WASHER M8X20",4,,,,,,,,,,,,,,,,,,,,,  
 21,1,,26013-080252,, "BOLT M 8X 25",2,,,,,,,,,,,,,,,,,,,,,  
 22,1,,26022-050102,, "SCREW M 5X 10",3,,,,,,,,,,,,,,,,,,,,,  
 23,1,,26023-040082,, "SCREW M 4X 8",1,,,,,,,,,,,,,,,,,,,,,  
 24,1,,933152-09280,, "BAND 170",2,,,,,,,,,,,,,,,,,,,,,  
 25,1,,933152-09280,, "BAND 170",1,,,,,,,,,,,,,,,,,,,,,  
 26,1,,933152-09280,, "BAND 170",1,,,,,,,,,,,,,,,,,,,,,  
 27,1,,172478-18210,, "TUBE 7",1,,,,,W,72478077,M/#20521,,,,,,I  
 28,1,,1A1380-55310,, "CLAMP, WIRE",2,,,,,W,72478077,M/#20521,,,,,,I





エアコン ASSY  
 AIR CONDITIONER ASSY  
 172455-18100

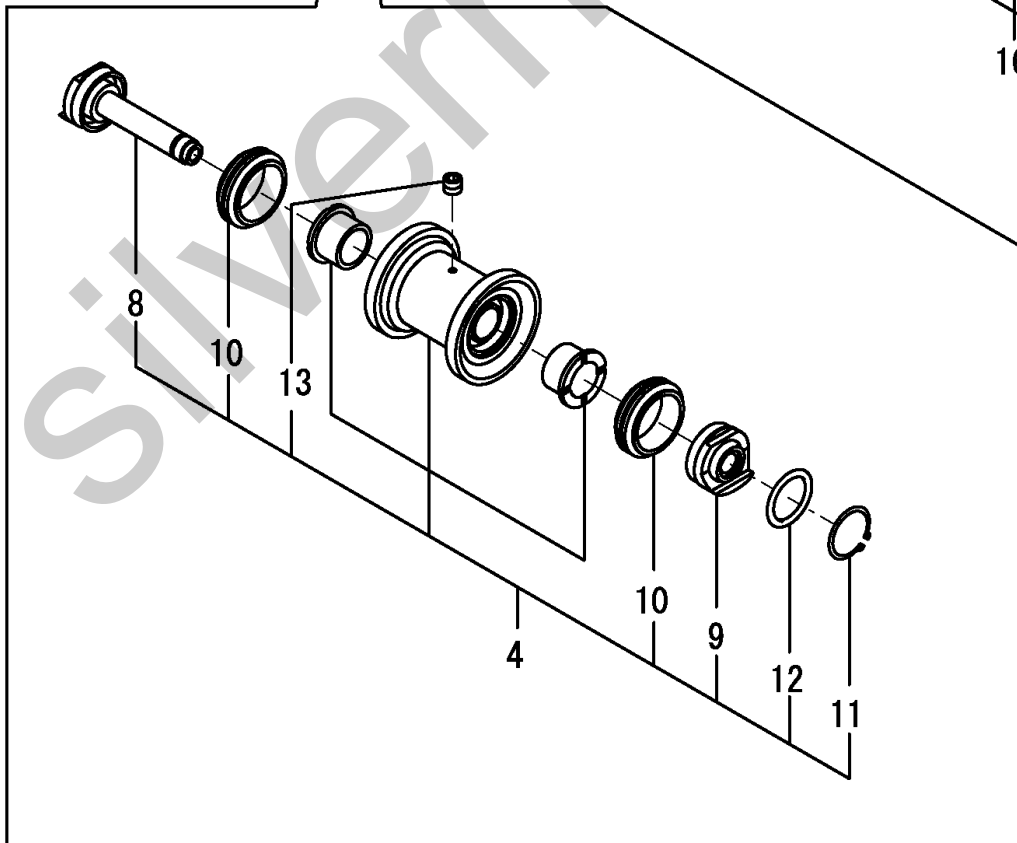
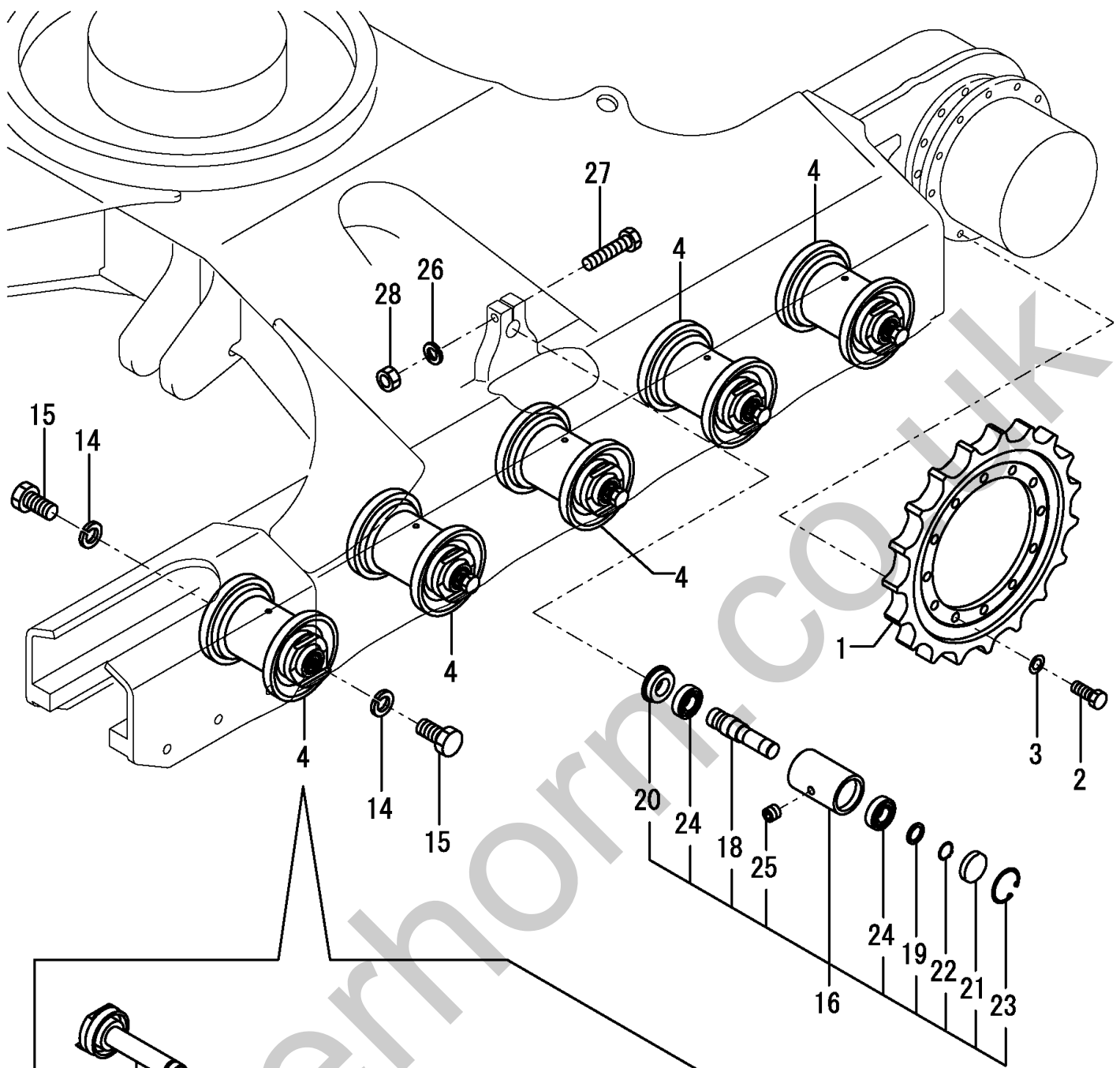
項目NO. 34の見出しNO. 5は  
 項目NO. 34の見出しNO. 6と  
 項目NO. 35の見出しNO. 1から5と  
 項目NO. 36の見出しNO. 1から4と  
 項目NO. 37の見出しNO. 1から9を含みます

Fig. 34 Ref. No. 5  
 inc Fig. 34 Ref. No. 6  
 Fig. 35 Ref. No. 1~5  
 Fig. 36 Ref. No. 1~4  
 Fig. 37 Ref. No. 1~9

172478-08100  
 エアコンキットは、項目130を参照下さい。  
 AIR CONDITIONER KIT is shown in Fig.130.

1,1,,172187-29101-1,, "SPROCKET (GREEN:88)",2,2,2,,,,,,,,,,,,,  
2,1,,172455-29140,, "BOLT 14X35",24,24,24,,,,,,,,,,,,,  
3,1,,172455-29150,, "WASHER 14X35",24,24,24,,,,,,,,,,,,,  
4,1,,772455-37300-4,, "TRACK ROLLER ASSY(88",10,10,,,,,,,,,,,,,  
4-1,1,,172478-37300-4,, "ROLLER,TRACK  
(88)",10,10,10,,,,,R,,72478058,M/#20591,72478058,M/#20591,,,,,,I  
8,2,,172455-37331,, "SHAFT ASSY, ROLLER",10,10,,,,,,,,,,,,,  
8-1,2,,172478-37390,, "SHAFT ASSY,  
ROLLER",10,10,10,,,,,R,,72488015,M/#20591,72488015,M/#20591,,,,,,I  
9,2,,172455-37361,, "COVER, SEAL B",10,10,,,,,,,,,,,,,  
9-1,2,,172478-37370,, "SEAL COVER  
B",10,10,10,,,,,R,,72478058,M/#20591,72478058,M/#20591,,,,,,I  
10,2,,172455-37370,, "FLOATING SEAL",20,20,,,,,,,,,,,,,  
10-1,2,,172478-37380,, "FLOATING  
SEAL",20,20,20,,,,,R,,72478058,M/#20591,72478058,M/#20591,,,,,,I  
11,2,,22242-000320,, "CIRCLIP 32",10,10,10,,,,,,,,,,,,,  
12,2,,24311-000380,, "O-RING 1A P-38.0",10,10,10,,,,,,,,,,,,,  
13,2,,933171-13691,, "PLUG PT1/8",10,10,10,,,,,,,,,,,,,  
14,1,,22217-200000,, "SPRING WASHER 20",20,20,20,,,,,,,,,,,,,  
15,1,,26116-200402,, "BOLT M20X40",20,20,20,,,,,,,,,,,,,  
16,1,,172478-37500,, "ROLLER,CARRIER (88)",2,2,2,,,,,,,,,,,,,  
19,2,,172187-37530,, "WASHER, CARRIER",2,2,,,,,,,,,,,,,  
19-1,2,,172478-37550,, "WASHER,  
CARRIER",2,2,2,,,,,R,,72478117,M/#20613,72478117,M/#20613,,,,,,I  
20,2,,172478-37530,, "SEAL,CARRIER ROLLER",2,2,2,,,,,,,,,,,,,  
21,2,,172187-37540,, "CAP, CARRIER ROLLER",2,2,,,,,,,,,,,,,  
21-1,2,,172478-37540,, "CAP, CARRIER  
ROLLER",2,2,2,,,,,R,,72478117,M/#20613,72478117,M/#20613,,,,,,I  
22,2,,22242-000300,, "CIRCLIP 30",2,2,2,,,,,,,,,,,,,  
23,2,,22252-000621,, "RING 62",2,2,2,,,,,,,,,,,,,  
24,2,,24105-062064,, "BALL BEARING",4,4,4,,,,,,,,,,,,,  
25,2,,933171-13691,, "PLUG PT1/8",2,2,2,,,,,,,,,,,,,  
26,1,,22217-160000,, "SPRING WASHER 16",2,2,2,,,,,,,,,,,,,  
27,1,,26116-160852,, "BOLT M16X 85 PLATED",2,2,2,,,,,,,,,,,,,  
28,1,,26716-160002,, "NUT M16",2,2,2,,,,,,,,,,,,,





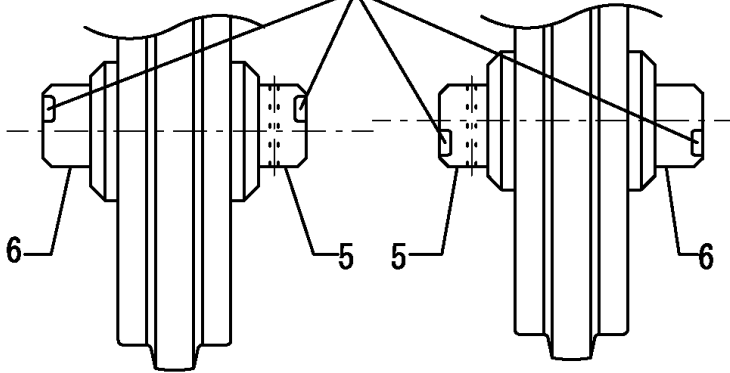


1,1,,772478-37100,, "IDLER ASSY(GREEN:88)",2,2,,,,,1,,,,,  
1-1,1,,772478-37101-4,, "IDLER  
ASSY(GREEN:88)",2,2,2,,,,,R,,72457042,M/#20613,72457042,M/#20613,,,,,,I  
2,2,,172478-37100,, "IDLER,375 (GREEN:88)",2,2,2,,,,,  
4,3,,182900-57380,, BUSHING,4,4,4,,,,,  
5,2,,172478-37140,, "IDLER SEAL COVER,A",2,2,2,,,,,  
6,2,,172478-37150,, "IDLER SEAL COVER,B",2,2,2,,,,,  
7,2,,172162-37171,, "FLOATING SEAL",4,4,,,,,  
7-1,2,,172455-37160,, "FLOATING  
SEAL",4,4,4,,,,,R,,72455389,M/#20613,72455389,M/#20613,,,,,,I  
8,2,,172455-37170,, SHAFT,2,2,2,,,,,  
9,2,,172455-37180,, "SP PIN 10AWX70",2,2,2,,,,,  
10,2,,22242-000400,, "CIRCLIP 40",2,2,2,,,,,  
11,2,,24311-000380,, "O-RING 1A P-38.0",4,4,4,,,,,  
12,2,,933171-13691,, "PLUG PT1/8",2,2,2,,,,,  
13,1,,172187-37700-4,, "ADJUST, CRAWLER (88)",2,2,2,,,,,  
14,1,,172162-37770,, "TUBE COMP.,ADJUSTER",2,2,2,,,,,  
15,1,,172162-37800,, PISTON,2,2,2,,,,,  
16,1,,172162-37810,, "PLATE,ADJUSTER",2,2,2,,,,,  
17,1,,172122-37844,, "VALVE ASSY, NIPPLE",2,2,2,,,,,  
18,2,,24315-000140,, "O-RING 1B P-14.0",2,2,2,,,,,  
19,2,,24761-020000,, "NIPPLE PT1/8,GREASE",2,2,2,,,,,  
20,1,,22217-140000,, "SPRING WASHER 14",8,8,8,,,,,  
21,1,,24325-000550,, "O-RING 1B G-55.0",2,2,,,,,  
21-1,1,,198072-17440,, "O-RING  
55.0",2,2,2,,,,,N,,72478104,M/#26012,72478104,M/#26012,,,,,,I  
22,1,,26116-140602,, "BOLT M14X 60 PLATED",8,8,8,,,,,  
23,1,,933126-50500,, "SEAL 5569811, DKB",2,2,2,,,,,  
24,1,,933138-12101,, "RING G55,BACKUP",2,2,,,,,  
24-1,1,,172478-37710,, "RING  
55,BACKUP",2,2,2,,,,,N,,72478104,M/#26012,72478104,M/#26012,,,,,,I

アイドラ組み付け時、ゴムクローラ、鉄クローラで  
アイドラシールカバー（A）と（B）の切欠きの向きが  
逆になります。

When constructing Idler Assy, The direction of  
cutting mark of idler seal cover A & B is the  
opposite side concerning rubber crawler  
& iron crawler.

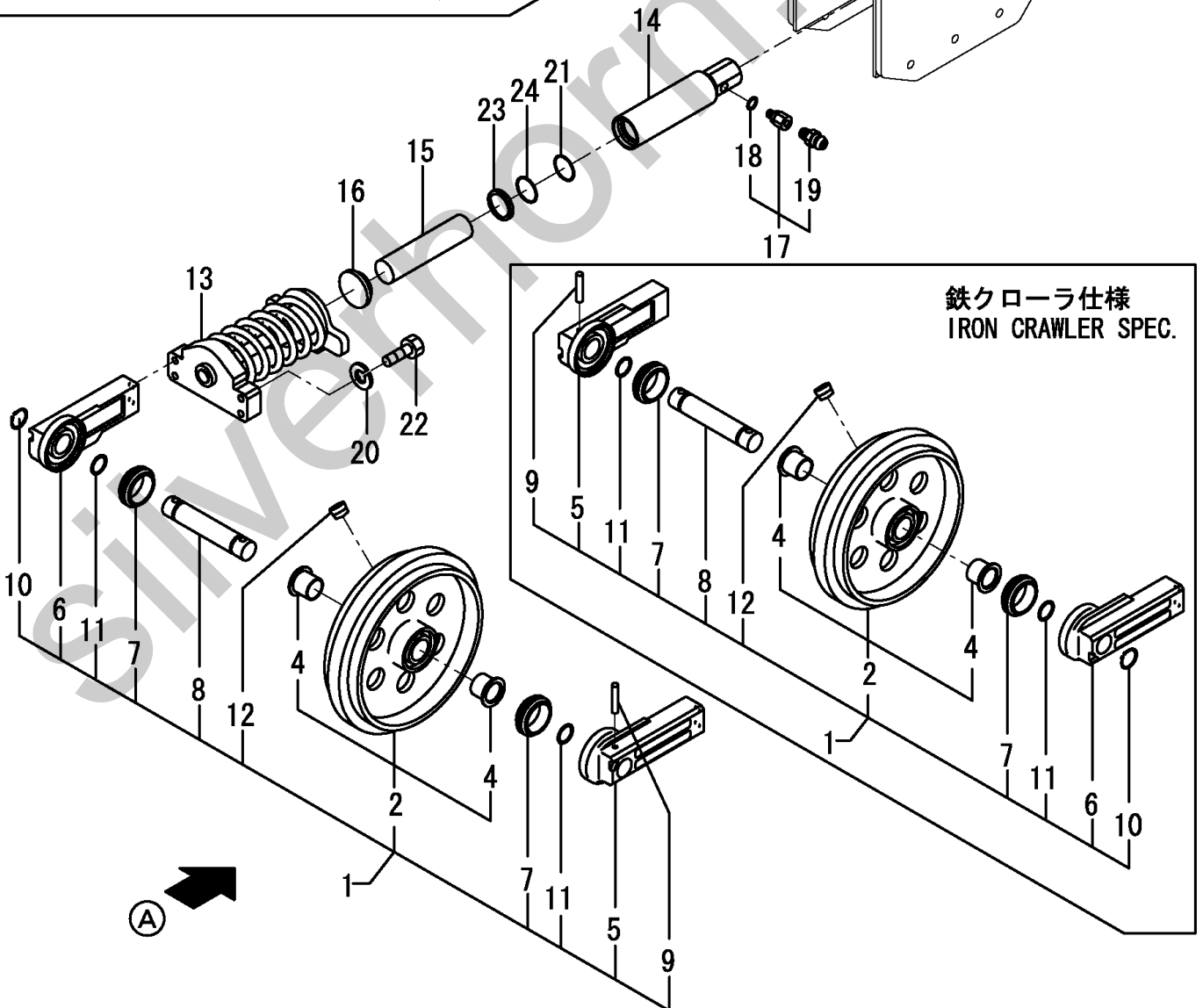
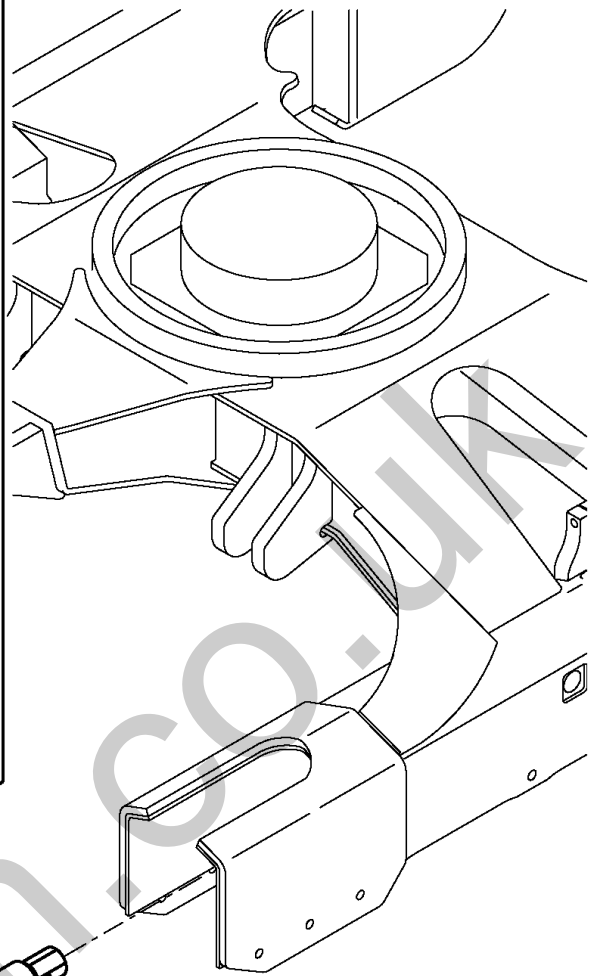
切欠き  
cutting mark



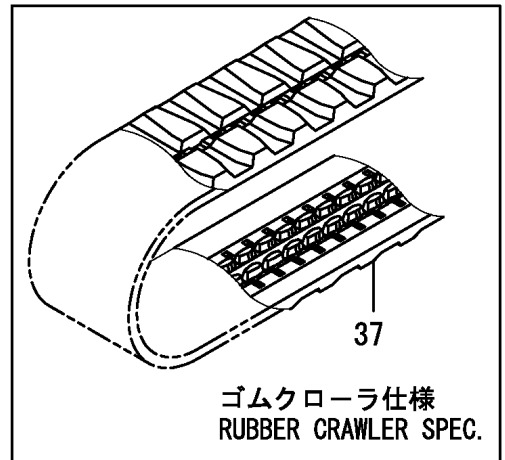
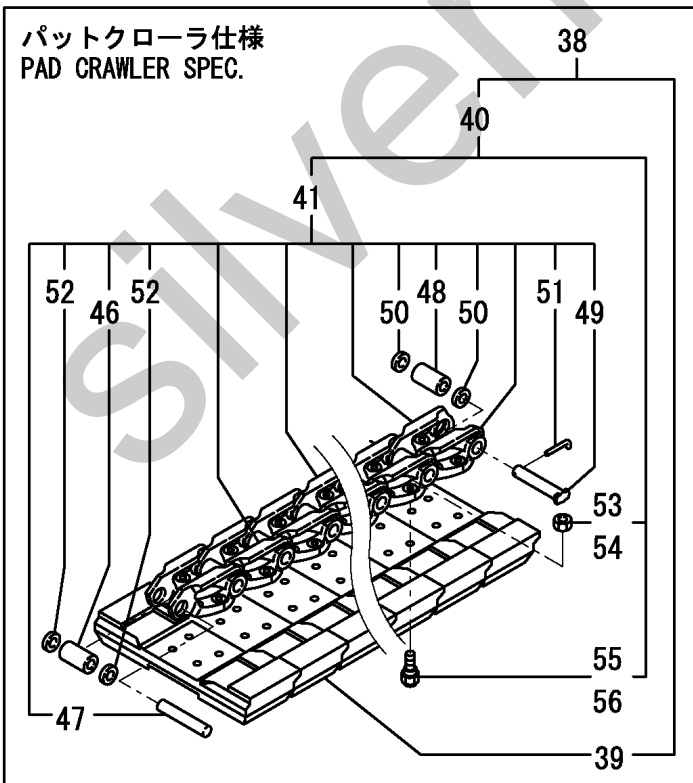
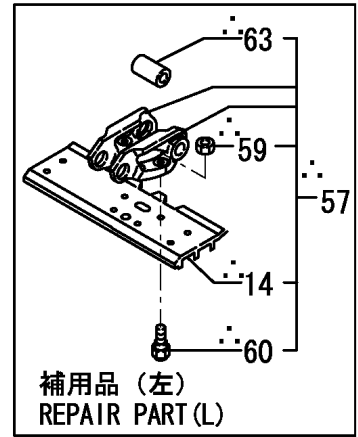
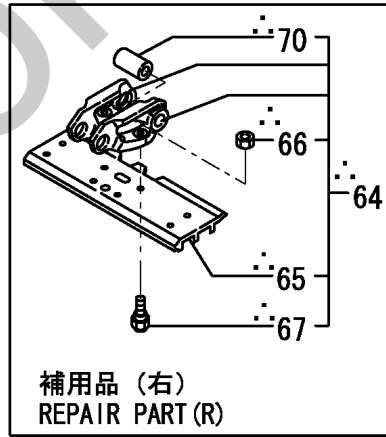
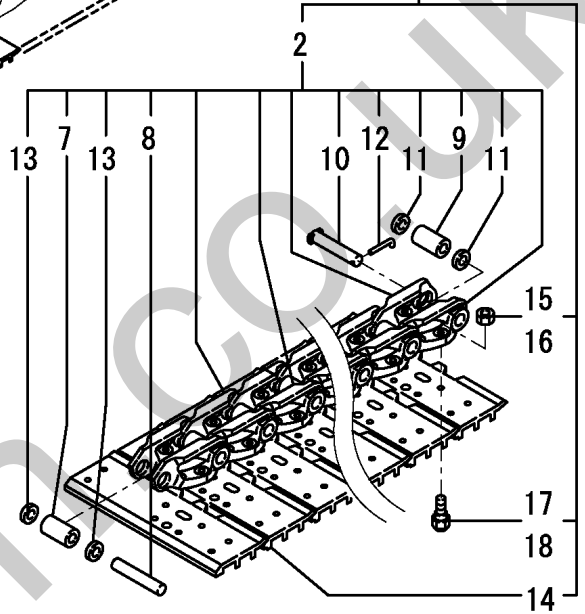
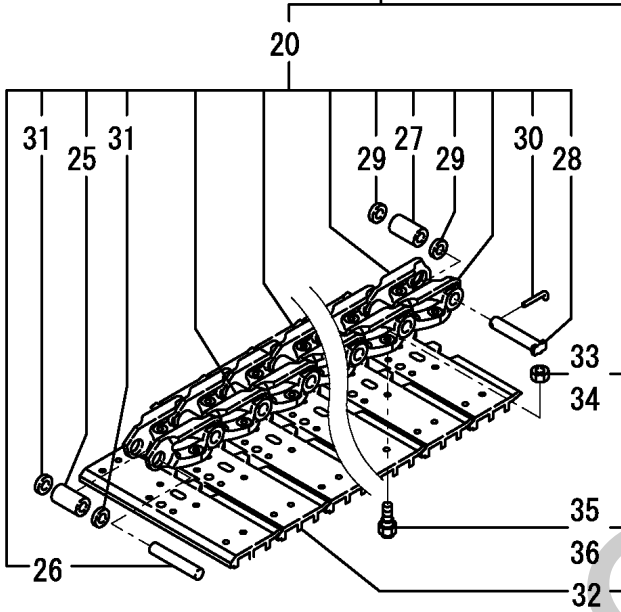
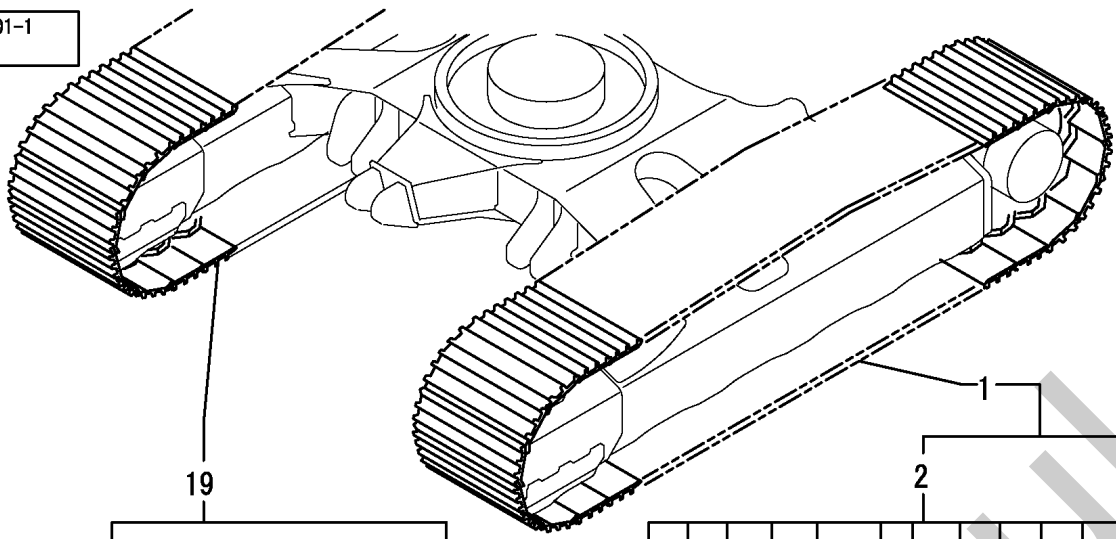
ゴムクローラ仕様  
RUBBER CRAWLER SPEC.

鉄クローラ仕様  
IRON CRAWLER SPEC.

Ⓐカラ見ル  
VIEWED FROM Ⓐ



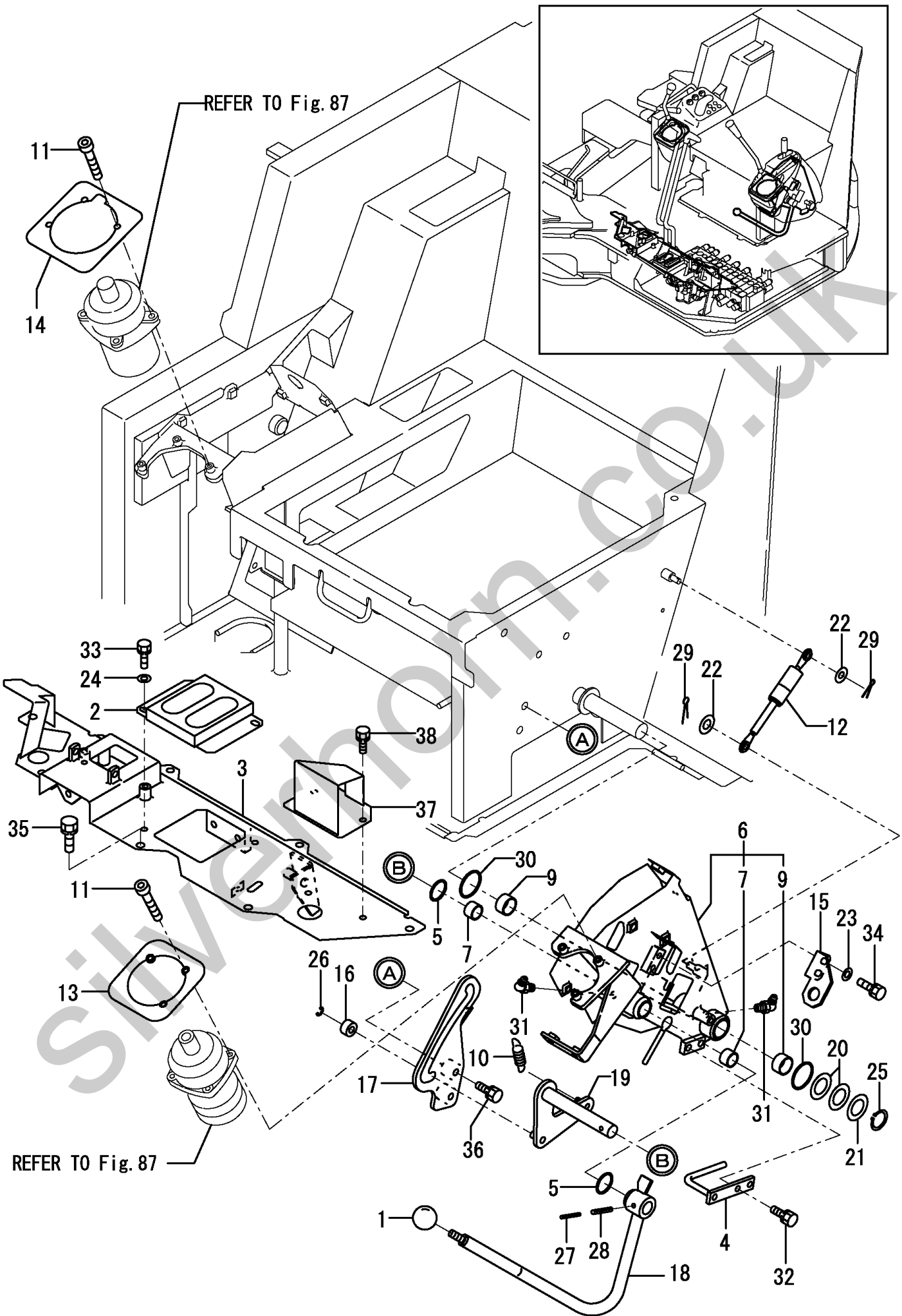
1,1,,172455-38100,, "TRACK SHOE 450L ASSY",1,1,1,,,,,1,,,,,  
2,2,,172455-38120,, "LINK ASSY",1,1,1,,,,,  
7,3,,172455-38220,, "BUSH, TRACK",38,38,38,,,,,  
8,3,,172455-38230,, "PIN, TRACK",38,38,38,,,,,  
9,3,,172455-38240,, "BUSH, MASTER",1,1,1,,,,,  
10,3,,172455-38250,, "PIN, MASTER",1,1,1,,,,,  
11,3,,172455-38260,, COLLER,2,2,2,,,,,  
12,3,,172455-38270,, "COTTER PIN",1,1,1,,,,,  
13,3,,172455-38280,, SEAL,76,76,76,,,,,  
14,2,,172455-38130,, "TRACK SHOW 450L (88)",39,39,39,,,,,  
15,2,,172455-38160,, NUT,78,78,78,,,,,  
16,2,,172455-38160,, NUT,78,78,78,,,,,  
17,2,,172455-38170,, BOLT,78,78,78,,,,,  
18,2,,172455-38170,, BOLT,78,78,78,,,,,  
19,1,,172455-38110,, "TRACK SHOE 450R ASSY",1,1,1,,,,,1,,,,,  
20,2,,172455-38120,, "LINK ASSY",1,1,1,,,,,  
25,3,,172455-38220,, "BUSH, TRACK",38,38,38,,,,,  
26,3,,172455-38230,, "PIN, TRACK",38,38,38,,,,,  
27,3,,172455-38240,, "BUSH, MASTER",1,1,1,,,,,  
28,3,,172455-38250,, "PIN, MASTER",1,1,1,,,,,  
29,3,,172455-38260,, COLLER,2,2,2,,,,,  
30,3,,172455-38270,, "COTTER PIN",1,1,1,,,,,  
31,3,,172455-38280,, SEAL,76,76,76,,,,,  
32,2,,172455-38140,, "TRACK SHOW 450R (88)",39,39,39,,,,,  
33,2,,172455-38160,, NUT,78,78,78,,,,,  
34,2,,172455-38160,, NUT,78,78,78,,,,,  
35,2,,172455-38170,, BOLT,78,78,78,,,,,  
36,2,,172455-38170,, BOLT,78,78,78,,,,,  
37,1,,172455-38601,, "CRAWLER RUBBER",2,2,2,,,,,2,,,,,  
38,1,,172455-38700,, "PAD CRAWLER",2,2,,,,,3,,,,,  
39,2,,172455-38730,, "PAD CRAWLER",78,78,,,,,  
40,2,,172455-38750,, "LINK ASSY",2,2,,,,,  
41,3,,172455-38120,, "LINK ASSY",2,2,,,,,  
46,4,,172455-38220,, "BUSH, TRACK",76,76,,,,,  
47,4,,172455-38230,, "PIN, TRACK",76,76,,,,,  
48,4,,172455-38240,, "BUSH, MASTER",2,2,,,,,  
49,4,,172455-38250,, "PIN, MASTER",2,2,,,,,  
50,4,,172455-38260,, COLLER,4,4,,,,,  
51,4,,172455-38270,, "COTTER PIN",2,2,,,,,  
52,4,,172455-38280,, SEAL,152,152,,,,,  
53,3,,172455-38160,, NUT,156,156,,,,,  
54,3,,172455-38160,, NUT,156,156,,,,,  
55,3,,172455-38170,, BOLT,156,156,,,,,  
56,3,,172455-38170,, BOLT,156,156,,,,,  
57,1,,172455-38300,, "MASTER  
TRACK450L(88)",1,1,,,,,W,,24780170,\*2003.09,24780170,\*2003.09,,,,,,I  
58,2,,172455-38130,, "TRACK SHOW 450L  
(88)",1,1,,,,,W,,24780170,\*2003.09,24780170,\*2003.09,,,,,,I  
59,2,,172455-38160,, NUT,4,4,,,,,W,,24780170,\*2003.09,24780170,\*2003.09,,,,,,I  
60,2,,172455-  
38170,, BOLT,4,4,,,,,W,,24780170,\*2003.09,24780170,\*2003.09,,,,,,I  
63,3,,172455-38240,, "BUSH,  
MASTER",1,1,,,,,W,,24780170,\*2003.09,24780170,\*2003.09,,,,,,I  
64,1,,172455-38310,, "MASTER  
TRACK450R(88)",1,1,,,,,W,,24780170,\*2003.09,24780170,\*2003.09,,,,,,I  
65,2,,172455-38140,, "TRACK SHOW 450R  
(88)",1,1,,,,,W,,24780170,\*2003.09,24780170,\*2003.09,,,,,,I  
66,2,,172455-38160,, NUT,4,4,,,,,W,,24780170,\*2003.09,24780170,\*2003.09,,,,,,I  
67,2,,172455-  
38170,, BOLT,4,4,,,,,W,,24780170,\*2003.09,24780170,\*2003.09,,,,,,I  
70,3,,172455-38240,, "BUSH,  
MASTER",1,1,,,,,W,,24780170,\*2003.09,24780170,\*2003.09,,,,,,I



∴印が今回変更(追記)した箇所です。  
 ∴MARKED PART HAS BEEN CHANGED (ADDED).

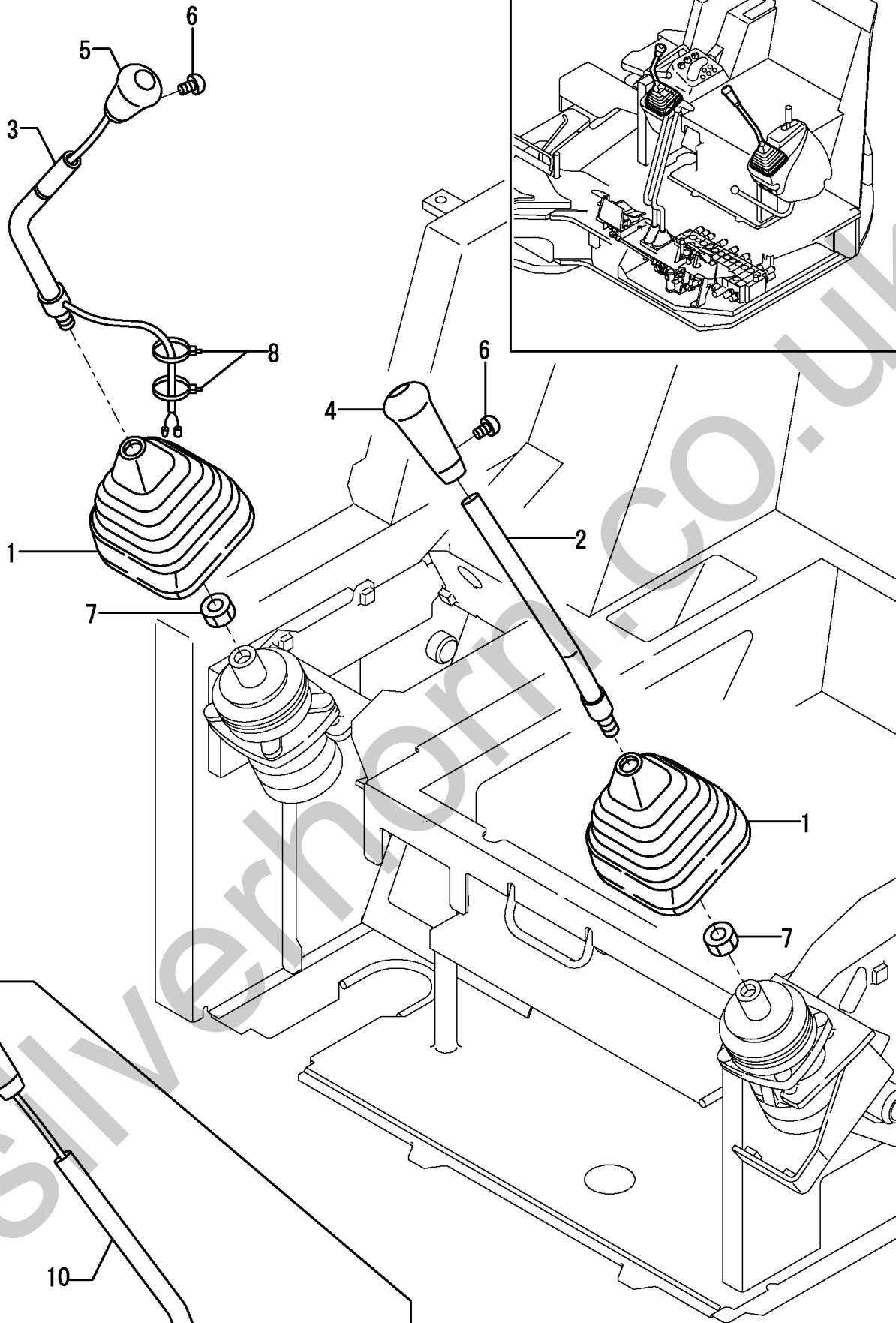
1,1,,1D4070-23580,, "GRIP,RED ROUND",1,1,1,,,,,,,,,,,,,  
 2,1,,172455-45520,, "BRACKET,BOOT (12)",1,1,1,,,,,,,,,,,,,  
 3,1,,172478-45550,, "RETAINER , LINK (12)",1,1,1,,,,,,,,,,,,,  
 3-1,1,,172478-45551,, "RETAINER ASSY,  
 LINK",1,1,1,,,,,R,,72478061,M/#20557,72478061,M/#20557,,,,,,,,,I  
 4,1,,172458-45850,, "GUIDE L,HOSE(GRAY:73",1,1,1,,,,,,,,,,,,,  
 5,1,,172124-46200,, "O-RING 27X5.7",2,2,2,,,,,,,,,,,,,  
 6,1,,172458-46600,, "STAND L,LEVER(GRAY73",1,1,1,,,,,,,,,,,,,  
 7,2,,172141-41370,, "BUSH 2015",2,2,2,,,,,,,,,,,,,  
 9,2,,24550-025150,, "BUSH 25X15",2,2,2,,,,,,,,,,,,,  
 10,1,,172162-46690,, "SPRING,1,1,1,,,,,,,,,,,,,  
 11,1,,172458-46730,, "BOLT N6X30",6,6,6,,,,,,,,,,,,,  
 12,1,,172455-46890,, "SPRING,GAS",1,1,1,,,,,,,,,,,,,  
 13,1,,172455-46901,, "PLATE L, BOOTS",1,1,1,,,,,,,,,,,,,  
 14,1,,172455-46941,, "PLATE R,BOOTS (73)",1,1,1,,,,,,,,,,,,,  
 15,1,,172455-46950,, "BRACKET, SWITCH",1,1,1,,,,,,,,,,,,,  
 16,1,,172165-47550,, "BUSH,1,1,1,,,,,,,,,,,,,  
 17,1,,172478-47600,, "GUIDE L,LOCK(GRAY:72",1,1,1,,,,,,,,,,,,,  
 18,1,,172478-47620,, "LEVER L,LOCK(GRAY:72",1,1,1,,,,,,,,,,,,,  
 19,1,,172458-47640-4,, "ROD,SPRING (GRAY:72)",1,1,1,,,,,,,,,,,,,  
 20,1,,172165-47980,, "SHIM 42X25.5X0.5",2,2,2,,,,,,,,,,,,,  
 21,1,,172165-47990,, "WASHER 25.5X42",1,1,1,,,,,,,,,,,,,  
 22,1,,22137-080000,, "WASHER 8, POLISHED",2,2,2,,,,,,,,,,,,,  
 23,1,,22137-080000,, "WASHER 8, POLISHED",2,2,2,,,,,,,,,,,,,  
 24,1,,22137-080000,, "WASHER 8, POLISHED",2,2,2,,,,,,,,,,,,,  
 25,1,,22242-000250,, "CIRCLIP 25S",1,1,1,,,,,,,,,,,,,  
 26,1,,22272-000070,, "CIRCLIP E- 7",1,1,1,,,,,,,,,,,,,  
 27,1,,22351-035040,, "SPRING PIN 3.5X40",1,1,1,,,,,,,,,,,,,  
 28,1,,22351-060040,, "SPRING PIN 6X40",1,1,1,,,,,,,,,,,,,  
 29,1,,22417-200200,, "COTTER PIN 2.0X20",2,2,2,,,,,,,,,,,,,  
 30,1,,24311-000340,, "O-RING 1A P-34.0",2,2,2,,,,,,,,,,,,,  
 31,1,,24761-050000,, "NIPPLE C,GREASE",2,2,2,,,,,,,,,,,,,  
 32,1,,26013-080162,, "BOLT W/WASHER M8X16",2,2,2,,,,,,,,,,,,,  
 33,1,,26013-080162,, "BOLT W/WASHER M8X16",2,2,2,,,,,,,,,,,,,  
 34,1,,26013-080202,, "BOLT W/WASHER M8X20",2,2,2,,,,,,,,,,,,,  
 35,1,,26013-100202,, "BOLT W/WASHER M10X20",5,5,5,,,,,,,,,,,,,  
 36,1,,26013-100202,, "BOLT W/WASHER M10X20",2,2,2,,,,,,,,,,,,,  
 37,1,,172455-45480,, "PLATE,FRL (BLACK:12)",1,1,1,,,,,,,,,,,,,  
 38,1,,26013-080162,, "BOLT W/WASHER M8X16",2,2,2,,,,,,,,,,,,,





1,1,,172151-45010,, "BOOT P,LEVER",2,2,2,,,,,,,,,,,,,  
2,1,,172458-45030,, "LEVER L (GRAY:72)",1,1,1,,,,,,,,,,,,,  
3,1,,172458-45050,, "LEVER R,CAB(GRAY:72)",1,1,,,,,,,,,,,,,  
3-1,1,,172458-45051,, "LEVER  
R(CAB(GRAY:72)",1,1,1,,,,,R,,72458491,M/#20613,72458491,M/#20613,,,,,,,,,I  
4,1,,172165-45071,, "KNOB (L) ASSY",1,1,1,,,,,,,,,,,,,  
5,1,,172165-47871,, "KNOB (A) ASSY",1,1,1,,,,,,,,,,,,,  
6,1,,26587-040062,, "SCREW M 4X 6",2,2,2,,,,,,,,,,,,,  
7,1,,26736-140002,, "NUT M14",2,2,2,,,,,,,,,,,,,  
8,1,,933168-55770,, "BAND 146",2,2,2,,,,,,,,,,,,,  
9,1,,172458-45070,, "LEVER L, DECEL.",1,,,,,,,,,1,,,,,,,,,  
10,1,,172187-45080,, "KNOB, DESEL",1,,,,,,,,,1,,,,,,,,,  
11,1,,933168-55770,, "BAND 146",2,,,,,,,,,1,,,,,,,,,

Silverhorn.CO.UK



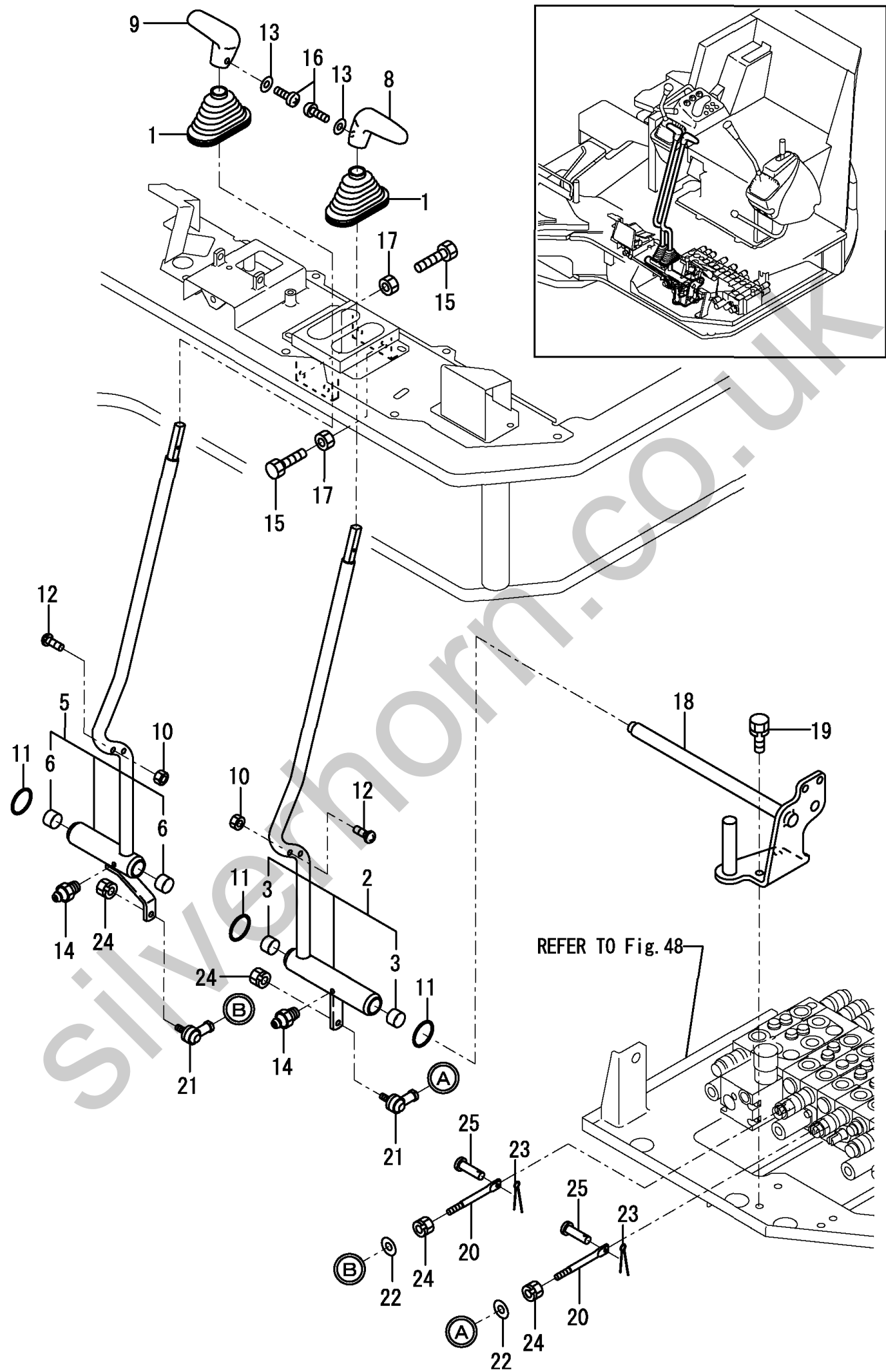
ワンタッチデセル仕様  
ONE TOUCH DECEL SPEC.

172478-08200  
デセルキットは、項目132を参照下さい。  
DECEL KIT is shown in Fig.132.



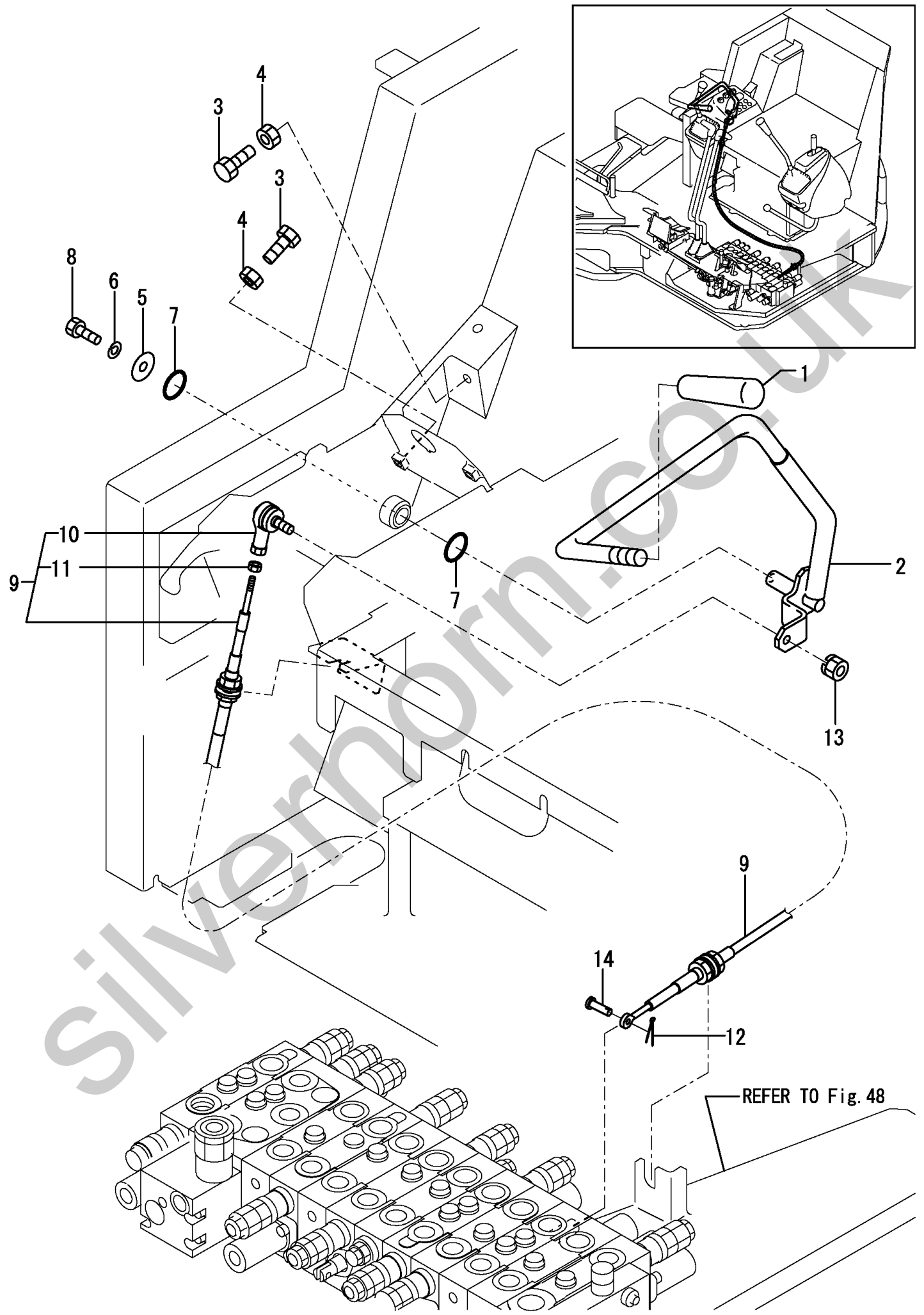
1,1,,172141-41340,,BOOTS,2,2,2,,,,,,,,,,,,,  
2,1,,172455-45101,,,"LEVER L ASSY, TRACK",1,1,1,,,,,,,,,,,,,  
3,2,,172141-41370,,,"BUSH 2015",2,2,2,,,,,,,,,,,,,  
5,1,,172455-45131,,,"LEVER R ASSY, TRACK",1,1,1,,,,,,,,,,,,,  
6,2,,172141-41370,,,"BUSH 2015",2,2,2,,,,,,,,,,,,,  
8,1,,172187-45870,,,"GRIP L, DRIVE",1,1,1,,,,,,,,,,,,,  
9,1,,172187-45880,,,"GRIP R, DRIVE",1,1,1,,,,,,,,,,,,,  
10,1,,172455-45950,,,"NUT M6",4,4,4,,,,,,,,,,,,,  
11,1,,172124-46200,,,"O-RING 27X5.7",3,3,3,,,,,,,,,,,,,  
12,1,,172732-54730,,,"SCREW 6X 25",4,4,4,,,,,,,,,,,,,  
13,1,,22117-040000,,,"WASHER 4",2,2,2,,,,,,,,,,,,,  
14,1,,24761-020000,,,"NIPPLE PT1/8,GREASE",2,2,2,,,,,,,,,,,,,  
15,1,,26116-100504,,,"BOLT M10X 50 PLATED",4,4,4,,,,,,,,,,,,,  
16,1,,26587-040122,,,"SCREW M 4X 12",2,2,2,,,,,,,,,,,,,  
17,1,,26716-100002,,,"NUT 10",4,4,4,,,,,,,,,,,,,  
18,1,,172455-45151,,,"SHAFT ASSY, TRACK",1,1,1,,,,,,,,,,,,,  
19,1,,26013-100252,,,"BOLT W/WASHER M10X25",2,2,2,,,,,,,,,,,,,  
20,1,,172162-46210,,,"ROD 98.5",2,2,2,,,,,,,,,,,,,  
21,1,,172122-46590,,,"ELBALL 8",2,2,2,,,,,,,,,,,,,  
22,1,,22137-080000,,,"WASHER 8, POLISHED",2,2,2,,,,,,,,,,,,,  
23,1,,22417-160160,,,"COTTER PIN 1.6X16",2,2,2,,,,,,,,,,,,,  
24,1,,26051-080002,,,"NUT M 8",4,4,4,,,,,,,,,,,,,  
25,1,,933110-54100,,,"PIN 4.75X14",2,2,2,,,,,,,,,,,,,

Silverhorn.CO.UK



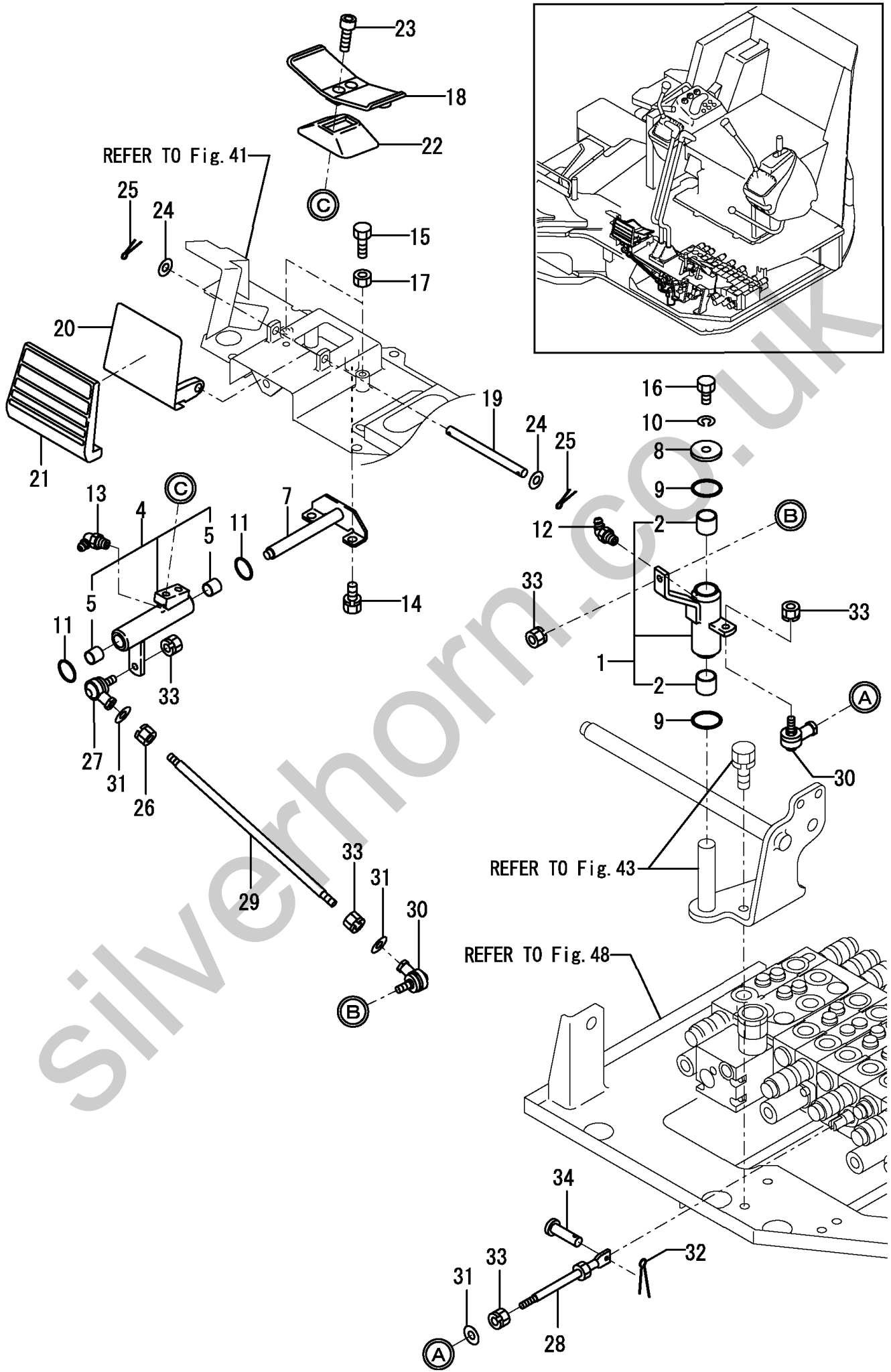
1,1,,172964-12140,,GRIP(BLACK,1,1,1,,,,,,,,,,,,,  
2,1,,172455-45210,,,"LEVER, BLADE(GRAY:72)",1,1,1,,,,,,,,,,,,,  
3,1,,26116-100354,,,"BOLT M10X 35 PLATED",2,2,2,,,,,,,,,,,,,  
4,1,,26716-100002,,,"NUT 10",2,2,2,,,,,,,,,,,,,  
5,1,,1A1040-43900,,,"SPRING WASHER",1,1,1,,,,,,,,,,,,,  
6,1,,22217-080000,,,"SPRING WASHER 8",1,1,1,,,,,,,,,,,,,  
7,1,,24311-000210,,,"O-RING 1A P-21.0",2,2,2,,,,,,,,,,,,,  
8,1,,26116-080202,,,"BOLT M 8X 20 PLATED",1,1,1,,,,,,,,,,,,,  
9,1,,172455-45800,,,"CABLE, BLADE",1,1,1,,,,,,,,,,,,,  
10,2,,172458-45810,,,"BALL  
JOINT",1,1,1,,,,,W,,72458523,M/#20501,72458523,M/#20501,,,,,,,,,I  
11,2,,26757-050002,,,"LOCK NUT  
5",1,1,1,,,,,W,,72458523,M/#20501,72458523,M/#20501,,,,,,,,,I  
12,1,,22417-160160,,,"COTTER PIN 1.6X16",1,1,1,,,,,,,,,,,,,  
13,1,,26051-080002,,,"NUT M 8",1,1,1,,,,,,,,,,,,,  
14,1,,933110-54100,,,"PIN 4.75X14",1,1,1,,,,,,,,,,,,,

Silverhorn.CO.UK



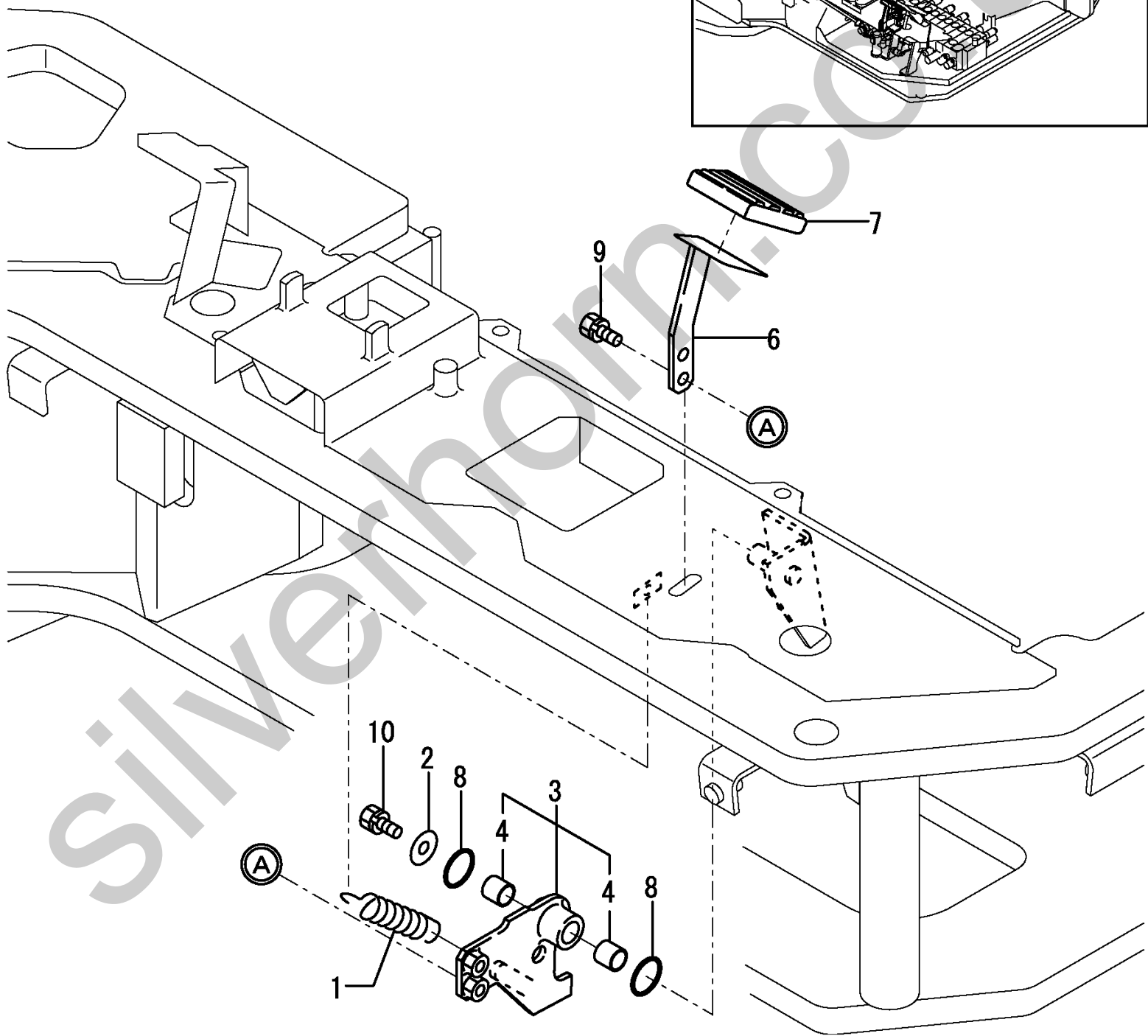
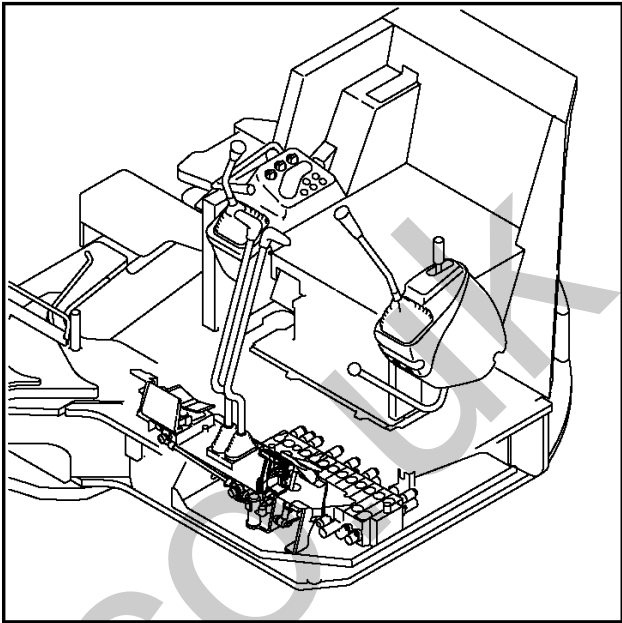
1,1,,172455-45170,, "LINK ASSY, SWING",1,1,1,,,,,,,,,,,,,  
 2,2,,172141-41370,, "BUSH 2015",2,2,2,,,,,,,,,,,,,  
 4,1,,172445-45550,, "LINK,PEDAL (GRAY:72)",1,1,1,,,,,,,,,,,,,  
 5,2,,172141-41360,, "BUSH 1415",2,2,2,,,,,,,,,,,,,  
 7,1,,172444-45850,, "SHAFT (GRAY:72)",1,1,1,,,,,,,,,,,,,  
 8,1,,1A1040-45890,, "WASHER 10 36 4.5",1,1,1,,,,,,,,,,,,,  
 9,1,,172124-46200,, "O-RING 27X5.7",2,2,2,,,,,,,,,,,,,  
 10,1,,22217-100000,, "SPRING WASHER 10",1,1,1,,,,,,,,,,,,,  
 11,1,,24311-000210,, "O-RING 1A P-21.0",2,2,2,,,,,,,,,,,,,  
 12,1,,24761-040000,, "NIPPLE B,GREASE",1,1,1,,,,,,,,,,,,,  
 13,1,,24761-050000,, "NIPPLE C,GREASE",1,1,1,,,,,,,,,,,,,  
 14,1,,26013-080162,, "BOLT W/WASHER M8X16",2,2,2,,,,,,,,,,,,,  
 15,1,,26116-080254,, "BOLT M 8X 25 PLATED",2,2,2,,,,,,,,,,,,,  
 16,1,,26116-100202,, "BOLT M10X 20 PLATED",1,1,1,,,,,,,,,,,,,  
 17,1,,26716-080002,, "NUT M 8",2,2,2,,,,,,,,,,,,,  
 18,1,,172187-45500-4,, "PEDAL,SWING(GRAY:72)",1,1,1,,,,,,,,,,,,,  
 19,1,,172187-45650,, "SHAFT, PEDAL COVER",1,1,,,,,,,,,,,,,  
 19-1,1,,172187-45651,, "SHAFT, PEDAL  
 COVER",1,1,1,,,R,,72458521,M/#20614,72458521,M/#20614,,,,,,,,,I  
 20,1,,172187-45720-4,, "COVER,PEDAL(GRAY:72)",1,1,1,,,,,,,,,,,,,  
 21,1,,172187-45760,, "COVER PAD",1,1,1,,,,,,,,,,,,,  
 22,1,,172157-45990,, "BOOTS, PEDAL",1,1,1,,,,,,,,,,,,,  
 23,1,,172165-46340,, "BOLT,2,2,2,,,,,,,,,,,,,  
 24,1,,22137-100000,, "WASHER 10,POLISHED",2,2,,,,,,,,,,,,,  
 24-1,1,,22137-100000,, "WASHER  
 10,POLISHED",1,1,1,,,K,,72458521,M/#20614,72458521,M/#20614,,,,,,,,,I  
 25,1,,22417-250200,, "COTTER PIN 2.5X20",2,2,,,,,,,,,,,,,  
 25-1,1,,22417-250200,, "COTTER PIN  
 2.5X20",1,1,1,,,K,,72458521,M/#20614,72458521,M/#20614,,,,,,,,,I  
 26,1,,194200-37780,, "LS-NUT 8",1,1,1,,,,,,,,,,,,,  
 27,1,,172734-41300,, "LINK BALL 8L",1,1,1,,,,,,,,,,,,,  
 28,1,,172142-43540,, "ROD 140",1,1,1,,,,,,,,,,,,,  
 29,1,,172455-45550,, "ROD 250 M8LR",1,1,1,,,,,,,,,,,,,  
 30,1,,172122-46590,, "ELBALL 8",2,2,2,,,,,,,,,,,,,  
 31,1,,22137-080000,, "WASHER 8, POLISHED",3,3,3,,,,,,,,,,,,,  
 32,1,,22417-160160,, "COTTER PIN 1.6X16",1,1,1,,,,,,,,,,,,,  
 33,1,,26051-080002,, "NUT M 8",5,5,5,,,,,,,,,,,,,  
 34,1,,933110-54100,, "PIN 4.75X14",1,1,1,,,,,,,,,,,,,





1,1,,172162-12480,, "SPRING,RETURN",1,1,1,,,,,,,,,,,,,  
2,1,,1A1040-43900,, "SPRING WASHER",1,1,1,,,,,,,,,,,,,  
3,1,,172444-45270,, "BRACKET ASSY, PEDAL",1,1,1,,,,,,,,,,,,,  
4,2,,172141-41360,, "BUSH 1415",2,2,2,,,,,,,,,,,,,  
6,1,,172187-45900-4,, "PEDAL ASSY (GRAY:72)",1,1,1,,,,,,,,,,,,,  
7,1,,172458-45950,, "PAD,PEDAL",1,1,1,,,,,,,,,,,,,  
8,1,,24311-000210,, "O-RING 1A P-21.0",2,2,2,,,,,,,,,,,,,  
9,1,,26013-080162,, "BOLT W/WASHER M8X16",2,2,2,,,,,,,,,,,,,  
10,1,,26013-080202,, "BOLT W/WASHER M8X20",1,1,1,,,,,,,,,,,,,

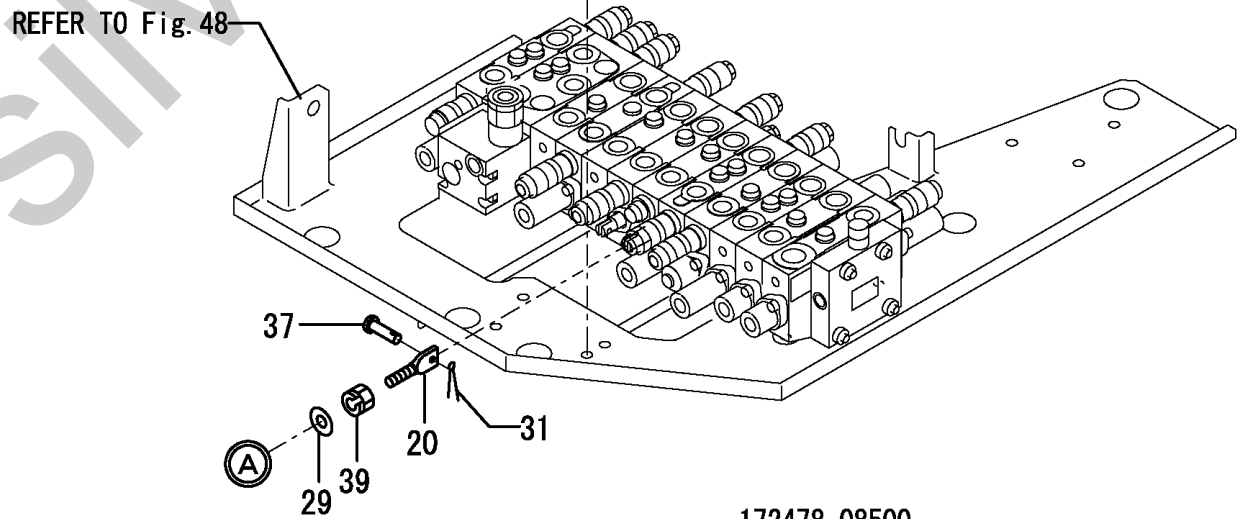
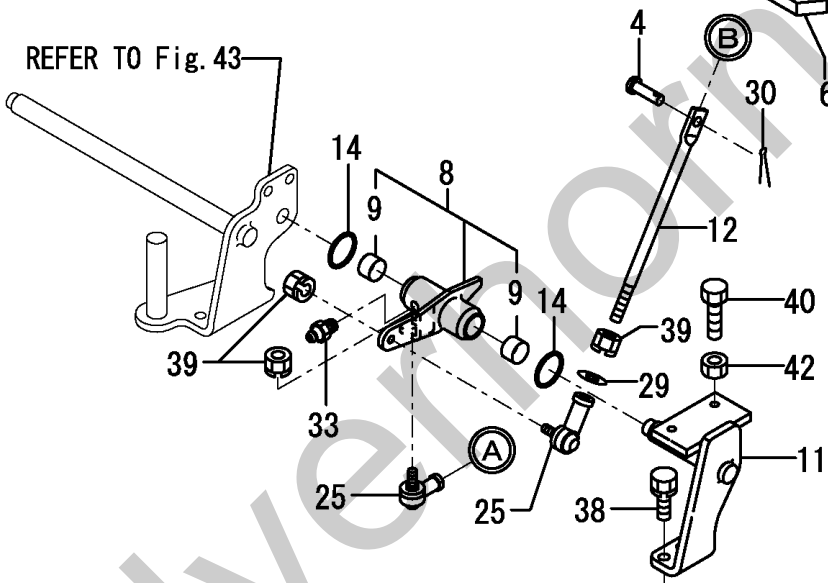
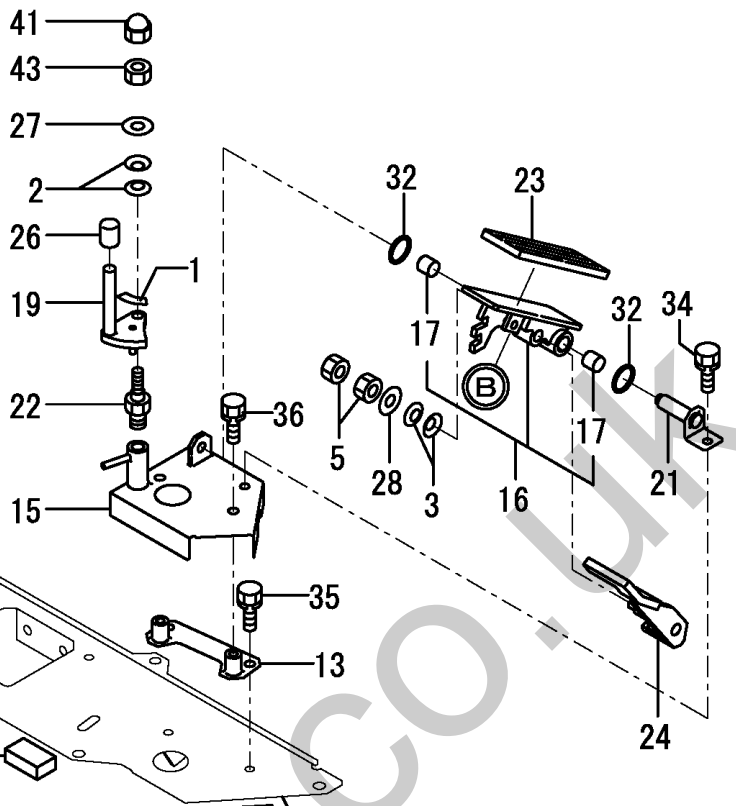
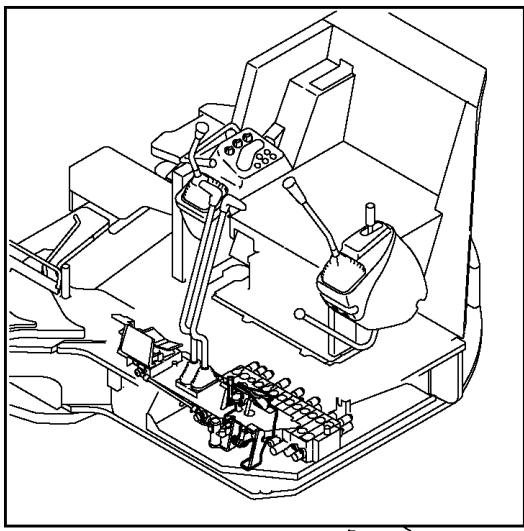
Silverhorn.CO.UK





1,1,,172187-03200,, "LABEL,P.T.O. LOCK",1,1,,,,,,,,,,,,,,,,,,,,,  
 2,1,,172068-28490,, "SPRING 8",2,2,,,,,,,,,,,,,,,,,,,,,  
 3,1,,172068-28490,, "SPRING 8",2,2,,,,,,,,,,,,,,,,,,,,,  
 4,1,,172110-45150,, "PIN (Q)",1,1,,,,,,,,,,,,,,,,,,,,,  
 5,1,,26756-080002,, "LOCK NUT M 8 PLATED",2,2,,,,,,,,,,,,,,,,,,,,,  
 6,1,,172455-46040,, "RUBBER SPONGE A,PTO",1,1,,,,,,,,,,,,,,,,,,,,,  
 7,1,,172455-46050,, "RUBBER SPONGE B,PTO",1,1,,,,,,,,,,,,,,,,,,,,,  
 8,1,,172455-46100,, "LINK ASSY, PTO",1,1,,,,,,,,,,,,,,,,,,,,,  
 9,2,,172141-41370,, "BUSH 2015",2,2,,,,,,,,,,,,,,,,,,,,,  
 11,1,,172455-46140,, "BRACKET",1,1,,,,,,,,,,,,,,,,,,,,,  
 12,1,,172455-46170,, "ROD",1,1,,,,,,,,,,,,,,,,,,,,,  
 13,1,,172455-46190,, "PLATE B",1,1,,,,,,,,,,,,,,,,,,,,,  
 14,1,,172124-46200,, "O-RING 27X5.7",2,2,,,,,,,,,,,,,,,,,,,,,  
 15,1,,172455-46201,, "LINK PLATE,P.T.O.(12",1,1,,,,,,,,,,,,,,,,,,,,,  
 16,1,,172187-46220-4,, "PEDAL A ASSY(GRAY:72",1,1,,,,,,,,,,,,,,,,,,,,,  
 17,2,,172141-41360,, "BUSH 1415",2,2,,,,,,,,,,,,,,,,,,,,,  
 19,1,,172444-46300,, "PLATE",1,1,,,,,,,,,,,,,,,,,,,,,  
 20,1,,172151-46360,, "ROD, SPOOL",1,1,,,,,,,,,,,,,,,,,,,,,  
 21,1,,172187-46400-4,, "BRACKET (GRAY:72)",1,1,,,,,,,,,,,,,,,,,,,,,  
 22,1,,172187-46430,, "SHAFT",1,1,,,,,,,,,,,,,,,,,,,,,  
 23,1,,172187-46500,, "PEDAL PAD",1,1,,,,,,,,,,,,,,,,,,,,,  
 24,1,,172455-46500-4,, "PEDAL (GRAY:72)",1,1,,,,,,,,,,,,,,,,,,,,,  
 24-1,1,,172455-46501,, "PEDAL",1,1,,,,,R,72490001,XXX,,,,,I  
 25,1,,172122-46590,, "ELBALL 8",2,2,,,,,,,,,,,,,,,,,,,,,  
 26,1,,172116-46630,, "KNOB, LOCK LEVER",1,1,,,,,,,,,,,,,,,,,,,,,  
 27,1,,22137-080000,, "WASHER 8, POLISHED",1,1,,,,,,,,,,,,,,,,,,,,,  
 28,1,,22137-080000,, "WASHER 8, POLISHED",1,1,,,,,,,,,,,,,,,,,,,,,  
 29,1,,22137-080000,, "WASHER 8, POLISHED",2,2,,,,,,,,,,,,,,,,,,,,,  
 30,1,,22417-160160,, "COTTER PIN 1.6X16",1,1,,,,,,,,,,,,,,,,,,,,,  
 31,1,,22417-160160,, "COTTER PIN 1.6X16",1,1,,,,,,,,,,,,,,,,,,,,,  
 32,1,,24311-000210,, "O-RING 1A P-21.0",2,2,,,,,,,,,,,,,,,,,,,,,  
 33,1,,24761-020000,, "NIPPLE PT1/8,GREASE",1,1,,,,,,,,,,,,,,,,,,,,,  
 34,1,,26013-080162,, "BOLT W/WASHER M8X16",1,1,,,,,,,,,,,,,,,,,,,,,  
 35,1,,26013-080162,, "BOLT W/WASHER M8X16",2,2,,,,,,,,,,,,,,,,,,,,,  
 36,1,,26013-080162,, "BOLT W/WASHER M8X16",2,2,,,,,,,,,,,,,,,,,,,,,  
 37,1,,933110-54100,, "PIN 4.75X14",1,1,,,,,,,,,,,,,,,,,,,,,  
 38,1,,26013-100252,, "BOLT W/WASHER M10X25",2,2,,,,,,,,,,,,,,,,,,,,,  
 39,1,,26051-080002,, "NUT M 8",4,4,,,,,,,,,,,,,,,,,,,,,  
 40,1,,26116-080304,, "BOLT M8 X 30 PLATED",2,2,,,,,,,,,,,,,,,,,,,,,  
 41,1,,26658-080002,, "CAP NUT M 8",1,1,,,,,,,,,,,,,,,,,,,,,  
 42,1,,26716-080002,, "NUT M 8",2,2,,,,,,,,,,,,,,,,,,,,,  
 43,1,,26756-080002,, "LOCK NUT M 8 PLATED",1,1,,,,,,,,,,,,,,,,,,,,,





REFER TO Fig. 43

REFER TO Fig. 41

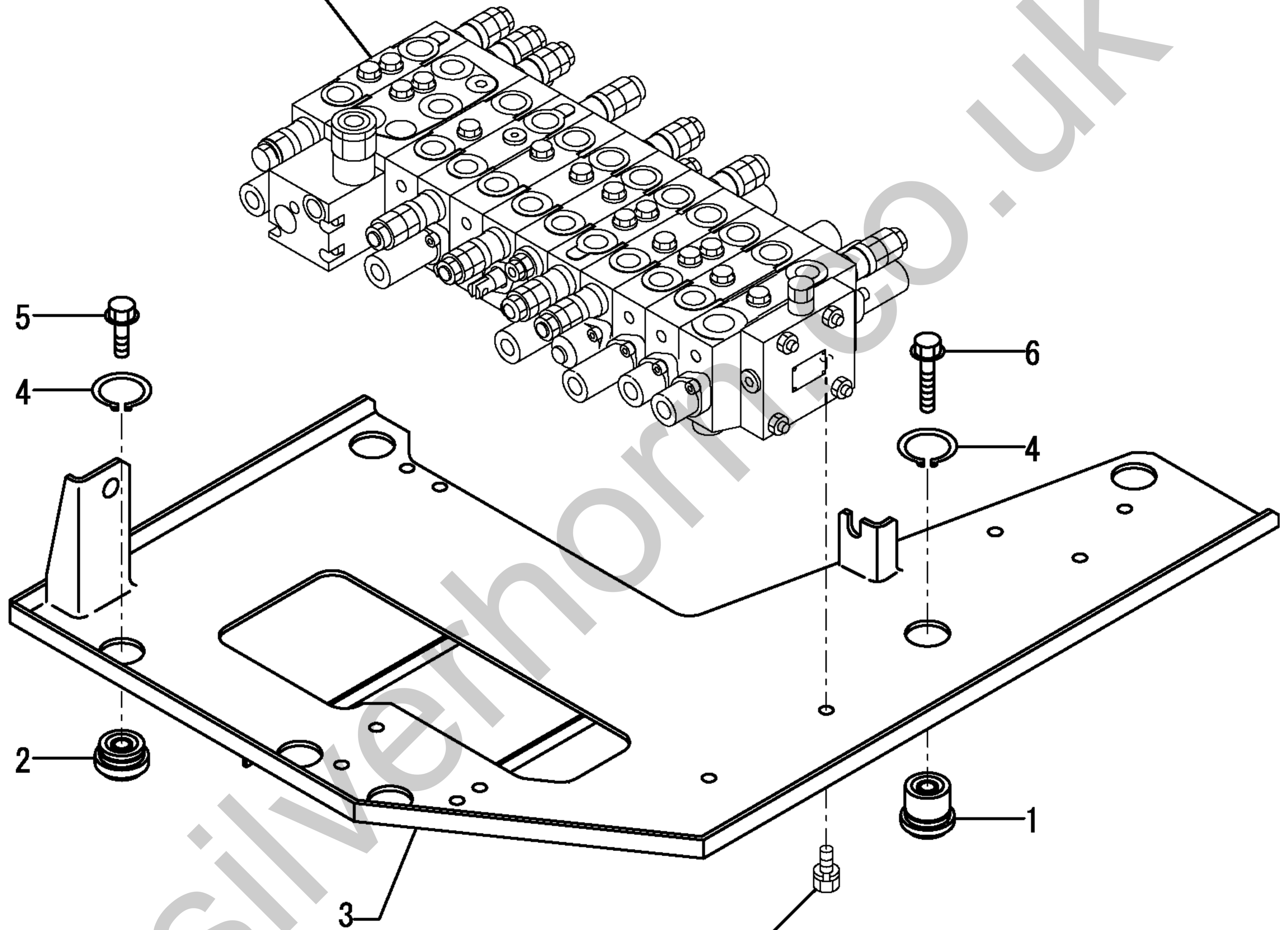
REFER TO Fig. 48

172478-08500  
 P.T.O.キットは、項目133を参照下さい。  
 P.T.O. KIT is shown in Fig. 133.

1,1,,172187-45060,, "CUSHION L ASSY",2,2,,,,,,,,,,,,,  
2,1,,172187-45490,, CUSSHION,3,3,,,,,,,,,,,,,  
3,1,,172478-45600,, "PLATE,VALVE",1,1,,,,,,,,,,,,,  
4,1,,22242-000350,, "CIRCLIP 35",5,5,,,,,,,,,,,,,  
5,1,,26106-100352,, "BOLT M10X 35 PLATED",3,3,,,,,,,,,,,,,  
6,1,,26106-100552,, "BOLT M10X 55 PLATED",2,2,,,,,,,,,,,,,

Silverhorn.CO.UK

REFER TO Fig. 81~86

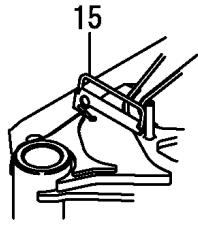


REFER TO Fig. 81

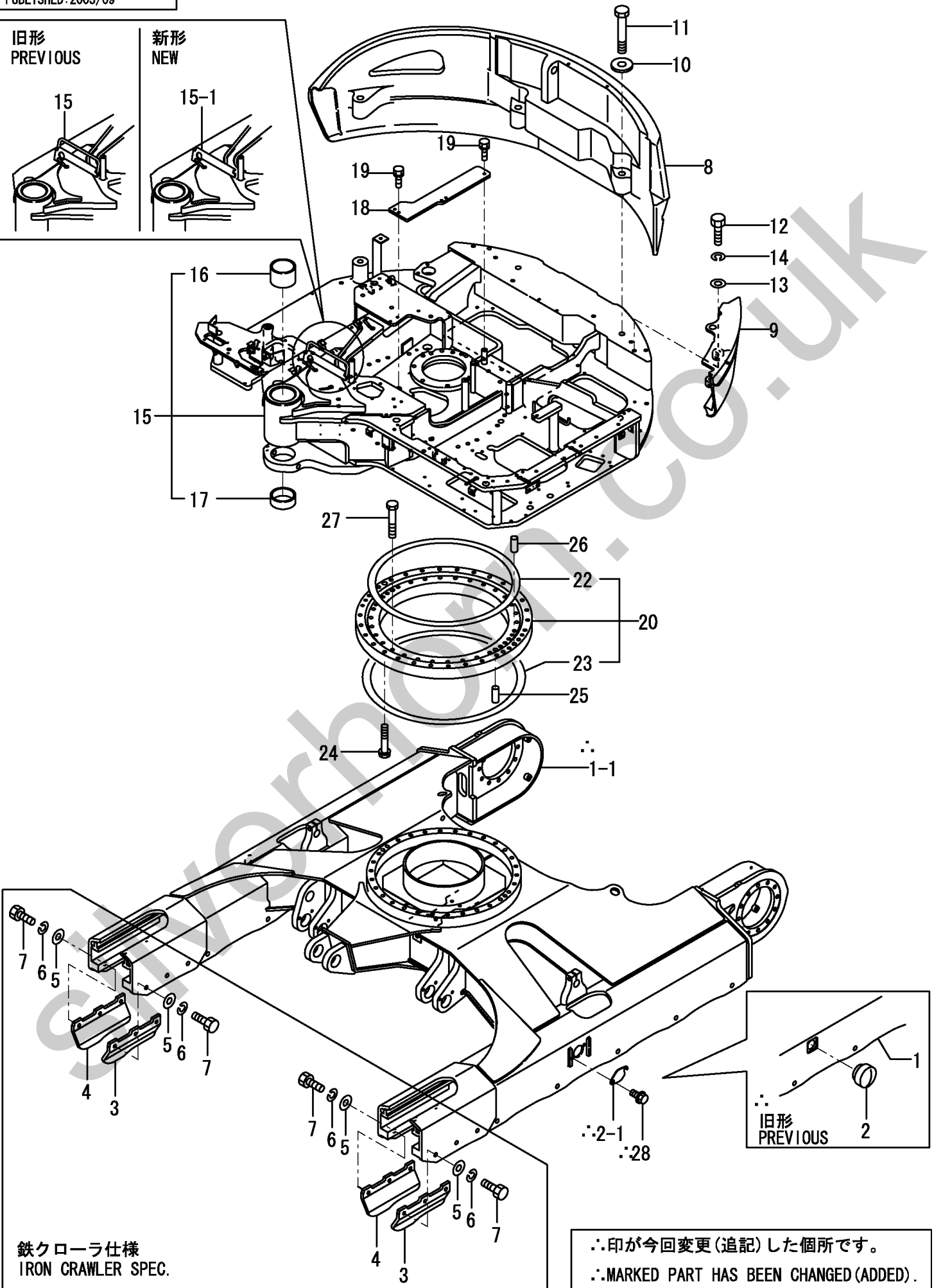
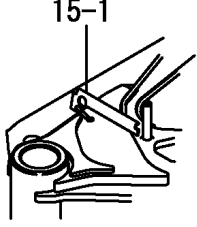
1,1,,172455-50102,, "FRAME,LOWER(GREEN:88",1,1,1,,,,,,,,,,,,,  
1-1,1,,172455-50103,, "FRAME  
ASSY,LOWER(88)",1,1,1,,,,,S,,24780156,\*2003.07,24780156,\*2003.07,24780156,\*2003.0  
7,,,,,,I  
2,1,,172141-50890,,GROMMET,2,2,2,,,,,,,,,,,,,  
2-1,1,,172458-  
50480,, "COVER,FRAME(GREEN:88",2,2,2,,,,,S,,24780156,\*2003.07,24780156,\*2003.07,24  
780156,\*2003.07,,,,,,I  
3,1,,172187-50801,, "PLATE L, GUARD",2,2,2,,,,,,,,,,,,,  
4,1,,172187-50811,, "PLATE R, GUARD",2,2,2,,,,,,,,,,,,,  
5,1,,22137-160000,, "WASHER 16,POLISHED",12,12,12,,,,,,,,,,,,,  
6,1,,22217-160000,, "SPRING WASHER 16",12,12,12,,,,,,,,,,,,,  
7,1,,26116-160402,, "BOLT M16X 40 PLATED",12,12,12,,,,,,,,,,,,,  
8,1,,172455-53301-4,, "WEIGHT,COUNTER (88)",1,1,1,,,,,,,,,,,,,  
9,1,,172455-53310-4,, "WEIGHT SIDE L (88)",1,1,1,,,,,,,,,,,,,  
10,1,,172187-53320,, "WASHER 24.5X65X8",3,3,3,,,,,,,,,,,,,  
11,1,,172455-53330,, "BOLT 24X140",3,3,3,,,,,,,,,,,,,  
12,1,,172165-53480,, "BOLT M16X 60",2,2,2,,,,,,,,,,,,,  
13,1,,172165-53500,, "WASHER",2,2,2,,,,,,,,,,,,,  
14,1,,22217-160000,, "SPRING WASHER 16",2,2,2,,,,,,,,,,,,,  
15,1,,172478-54100,, "FRAME,TURNING (97)",1,1,,,,,,,,,,,,,  
15-1,1,,172478-54101,, "FRAME,TURNING  
(97)",1,1,1,,,,,S,1,72478078,M/#20591,72478078,M/#20591,,,,,  
16,2,,172187-54750,, "BUSH 100X80",1,1,1,,,,,,,,,,,,,  
17,2,,172187-54760,, "BUSH 100X40",1,1,1,,,,,,,,,,,,,  
18,1,,172478-54450,, "PLATE (GREEN:97)",1,1,1,,,,,,,,,,,,,  
19,1,,26013-100252,, "BOLT W/WASHER M10X25",2,2,2,,,,,,,,,,,,,  
20,1,,172187-57600,, "TURNING BEARING",1,1,1,,,,,,,,,,,,,  
22,2,,172187-57630,, "SEAL, UPPER",1,1,1,,,,,,,,,,,,,  
23,2,,172187-57640,, "SEAL, LOWER",1,1,1,,,,,,,,,,,,,  
24,1,,172455-57650,, "BOLT 16X90",30,30,30,,,,,,,,,,,,,  
25,1,,172162-57660,, "PIN 16X40,STRAIGHT",2,2,2,,,,,,,,,,,,,  
26,1,,172162-57660,, "PIN 16X40,STRAIGHT",2,2,2,,,,,,,,,,,,,  
27,1,,172455-57661,, "BOLT 16X80",28,28,28,,,,,,,,,,,,,  
28,1,,26106-100122,, "BOLT M10X 12  
PLATED",4,4,4,,,,,W,,24780156,\*2003.07,24780156,\*2003.07,24780156,\*2003.07,,,,,,  
I



旧形  
 PREVIOUS

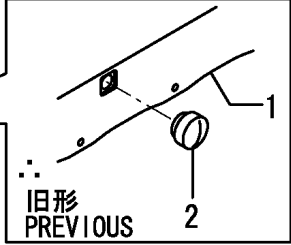


新形  
 NEW



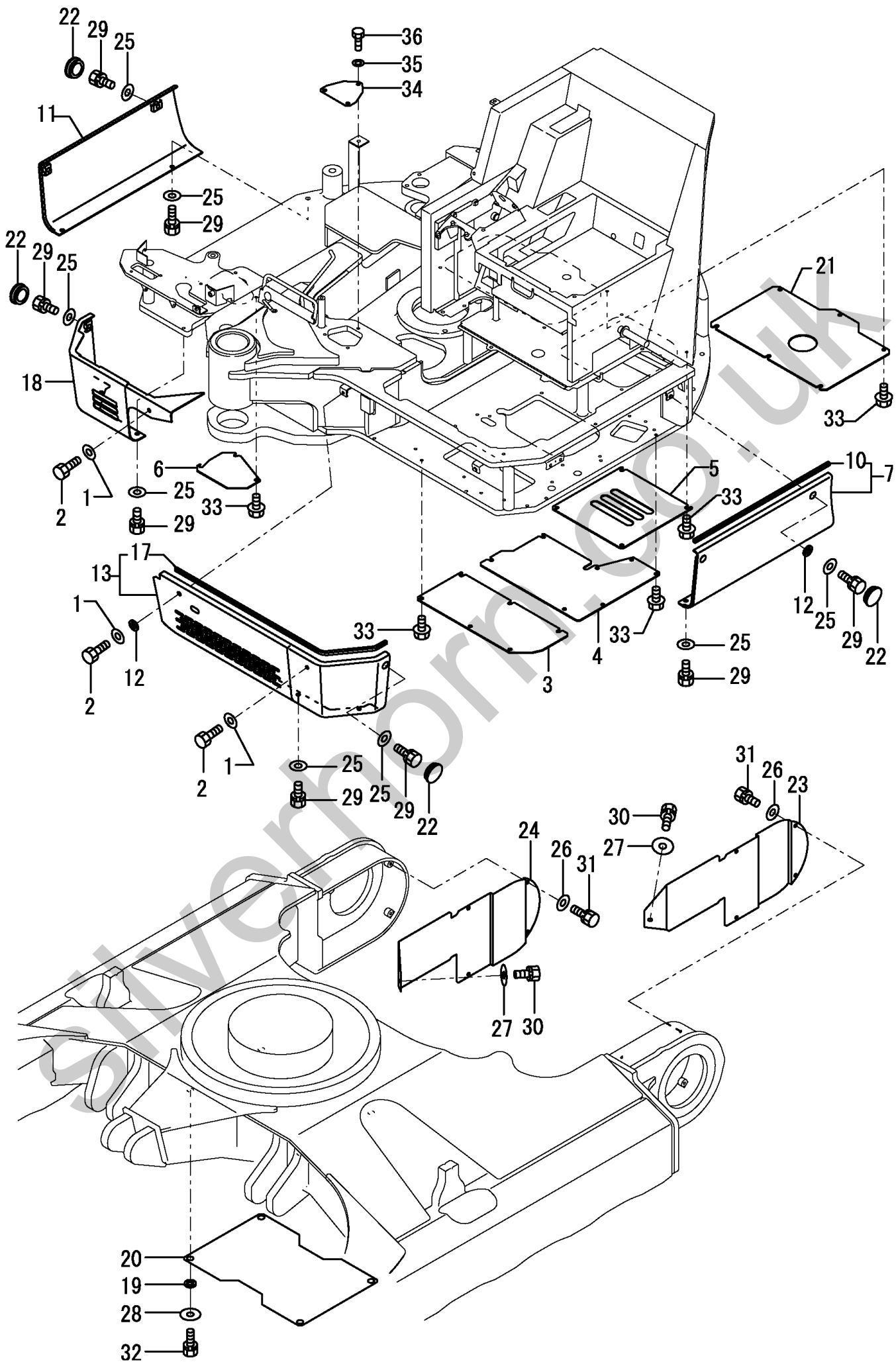
鉄クローラ仕様  
 IRON CRAWLER SPEC.

∴印が今回変更(追記)した個所です。  
 ∴.MARKED PART HAS BEEN CHANGED (ADDED).



1,1,,172137-46040,, "SEAT, SPRING",3,3,3,,,,,,,,,,,,,  
2,1,,172168-46760,, "BOLT M10X20",3,3,3,,,,,,,,,,,,,  
3,1,,172455-61100-4,, "COVER A, UNDER (97)",1,1,1,,,,,,,,,,,,,  
4,1,,172478-61110,, "COVER B, UNDER (97)",1,1,,,,,,,,,,,,,  
4-1,1,,172478-61111-4,, "COVER B, UNDER  
(97)",1,1,1,,,,,R,,72478065,M/#20557,72478065,M/#20557,,,,,,,,,I  
5,1,,172455-61120-4,, "COVER C, UNDER (97)",1,1,1,,,,,,,,,,,,,  
6,1,,172455-61130-4,, "COVER D, UNDER (97)",1,1,1,,,,,,,,,,,,,  
7,1,,172478-61351,, "COVER , FRAME L (97)",1,1,1,,,,,,,,,,,,,  
10,2,,172478-68910,, "SEAL 10X10X650",1,1,1,,,,,,,,,,,,,  
11,1,,172455-61370,, "COVER, FRAME R (97)",1,1,1,,,,,,,,,,,,,  
12,1,,172478-61390,, "RUBBER, COVER",2,2,2,,,,,,,,,,,,,  
13,1,,172478-61401,, "COVER , FRAME F (97)",1,1,1,,,,,,,,,,,,,  
17,2,,172478-68920,, "SEAL 10X10X910",1,1,1,,,,,,,,,,,,,  
18,1,,172478-61450,, "COVER, FRONT (GREEN:88)",1,1,1,,,,,,,,,,,,,  
19,1,,172162-61500,, RUBBER,4,4,4,,,,,,,,,,,,,  
20,1,,172187-61500-1,, "COVER, UNDER (GREEN:88)",1,1,1,,,,,,,,,,,,,  
21,1,,172478-61560,, "PLATE (GREEN:97)",1,1,1,,,,,,,,,,,,,  
22,1,,172455-61600,, "PLUG 28X3.2",6,6,6,,,,,,,,,,,,,  
23,1,,172455-61650-4,, "COVER L, DRIVE (88)",1,1,1,,,,,,,,,,,,,  
24,1,,172455-61660-4,, "COVER R, DRIVE (88)",1,1,1,,,,,,,,,,,,,  
25,1,,22137-100000,, "WASHER 10, POLISHED",15,15,15,,,,,,,,,,,,,  
26,1,,22137-100000,, "WASHER 10, POLISHED",8,8,8,,,,,,,,,,,,,  
27,1,,22157-100000,, "WASHER 10",2,2,2,,,,,,,,,,,,,  
28,1,,22157-120000,, "WASHER 12",4,4,4,,,,,,,,,,,,,  
29,1,,26013-100202,, "BOLT W/WASHER M10X20",15,15,15,,,,,,,,,,,,,  
30,1,,26013-100202,, "BOLT W/WASHER M10X20",2,2,2,,,,,,,,,,,,,  
31,1,,26013-100202,, "BOLT W/WASHER M10X20",8,8,8,,,,,,,,,,,,,  
32,1,,26013-120302,, "BOLT W/WASHER M12X30",4,4,4,,,,,,,,,,,,,  
33,1,,26106-100162,, "BOLT M10X 16 PLATED",26,26,26,,,,,,,,,,,,,  
34,1,,172187-61160,, "COVER, TURNING (97)",1,1,1,,,,,1,,,,,,,,,,,,,  
35,1,,22217-100000,, "SPRING WASHER 10",3,3,3,,,,,1,,,,,,,,,,,,,  
36,1,,26116-100202,, "BOLT M10X 20 PLATED",3,3,3,,,,,1,,,,,,,,,,,,



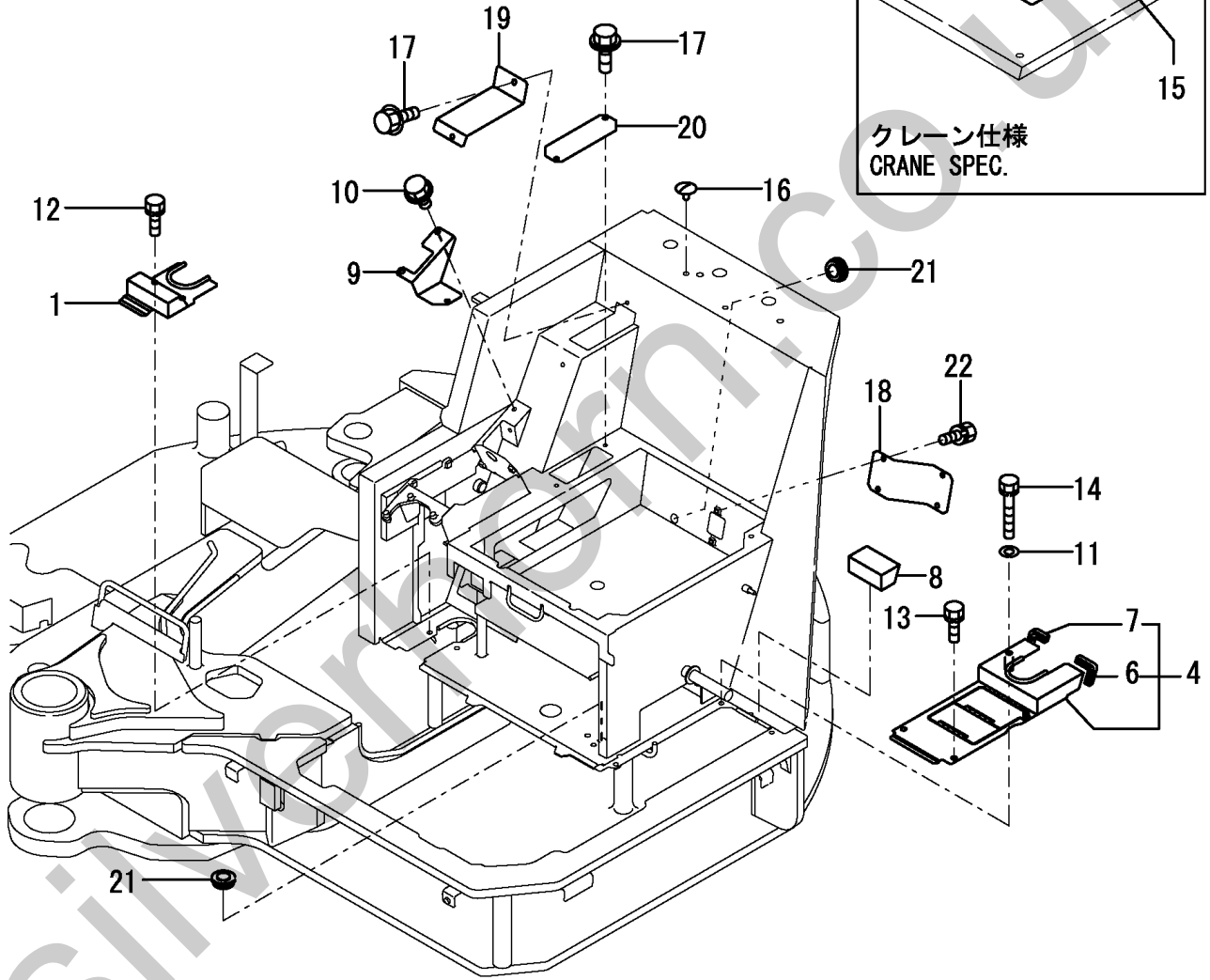
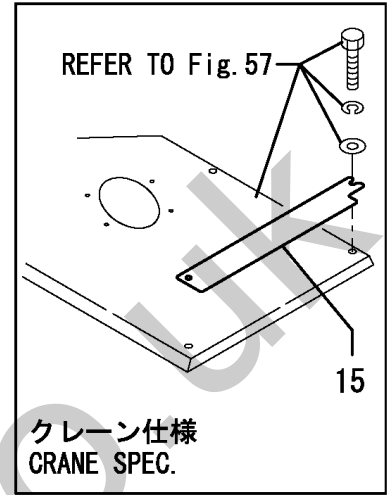
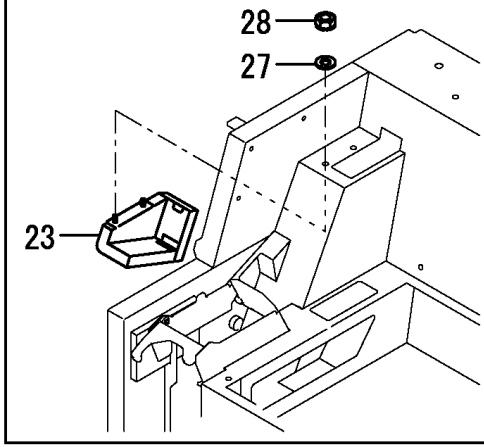




1,1,,172478-61180,, "COVER,SEAT R (12)",1,1,1,,,,,,,,,,,,,  
 4,1,,172478-61200,, "COVER,MULTI(BLACK:12",1,1,1,,,,,,,,,,,,,  
 6,2,,172183-61350,, "RUBBER,EDGE",1,1,1,,,,,,,,,,,,,  
 7,2,,172183-61360,, "RUBBER,EDGE",1,1,1,,,,,,,,,,,,,  
 8,1,,172478-61270,, "RUBBER,SPONGE",1,1,1,,,,,,,,,,,,,  
 9,1,,172455-61520,, "COVER,BLADE(GRAY:72)",1,1,1,,,,,,,,,,,,,  
 10,1,,172519-63240,, "BOLT 8X 16",3,3,3,,,,,,,,,,,,,  
 11,1,,22217-100000,, "SPRING WASHER 10",2,2,,,,,,,,,,,,,  
 11-1,1,,22217-100000,, "SPRING WASHER  
 10",1,1,1,,,,,K,,72478075,M/#20557,72478075,M/#20557,,,,,,I  
 12,1,,26013-100202,, "BOLT W/WASHER M10X20",2,2,2,,,,,,,,,,,,,  
 13,1,,26013-100202,, "BOLT W/WASHER M10X20",2,2,2,,,,,,,,,,,,,  
 14,1,,26116-100602,, "BOLT M10X 60 PLATED",2,2,,,,,,,,,,,,,  
 14-1,1,,26116-100602,, "BOLT M10X 60  
 PLATED",1,1,1,,,,,K,,72478075,M/#20557,72478075,M/#20557,,,,,,I  
 15,1,,172455-61920,, "COVER,HARNESS (97)",1,1,,,,,1,,,,,,,,,,,,,  
 16,1,,172444-17660,, "CLIP",1,1,1,,,,,2,,,,,,,,,,,,,  
 17,1,,172519-63240,, "BOLT 8X 16",4,4,4,,,,,2,,,,,,,,,,,,,  
 18,1,,172455-64660,, "COVER C, SEAT MOUNT",1,1,1,,,,,2,,,,,,,,,,,,,  
 19,1,,172455-64670,, "COVER D,SEAT MT (72)",1,1,1,,,,,2,,,,,,,,,,,,,  
 20,1,,172455-64680,, "COVER E,SEAT MT (72)",1,,,,,,,,,,,,,  
 21,1,,172183-76210,, "GROMMET 18",2,2,2,,,,,2,,,,,,,,,,,,,  
 22,1,,26013-080162,, "BOLT W/WASHER M8X16",4,4,4,,,,,2,,,,,,,,,,,,,  
 23,1,,172455-18650,, "COVER ASSY, SW PANEL",1,,,,,3,,,,,,,,,,,,,  
 27,1,,22137-080000,, "WASHER 8, POLISHED",2,,,,,3,,,,,,,,,,,,,  
 28,1,,26051-080002,, "NUT M 8",2,,,,,3,,,,,,,,,,,,,



エアコン仕様  
AIR CONDITIONER SPEC.



172478-08100

エアコンキットは、項目130を参照下さい。  
AIR CONDITIONER KIT is shown in Fig. 130.

172478-08550

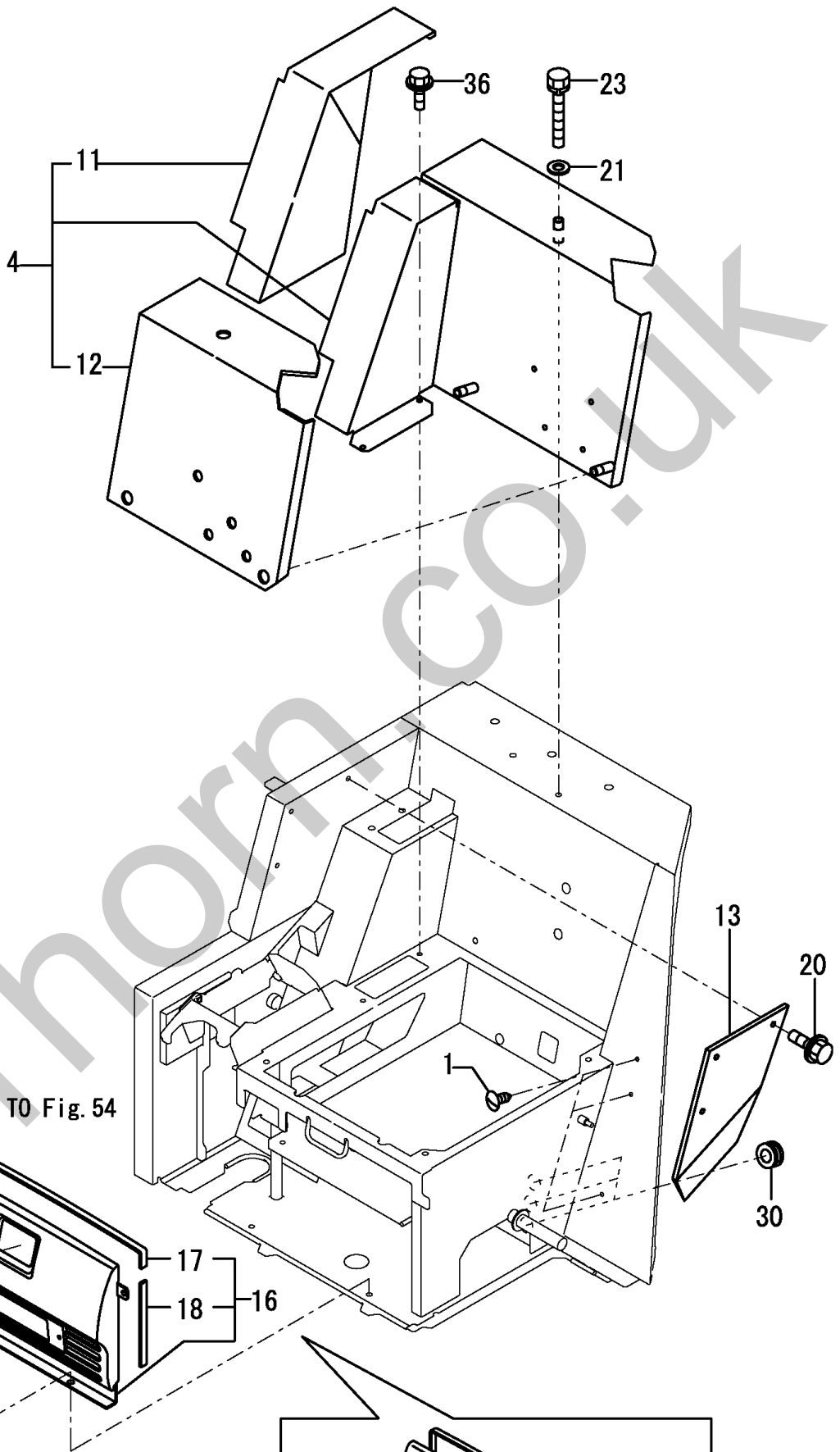
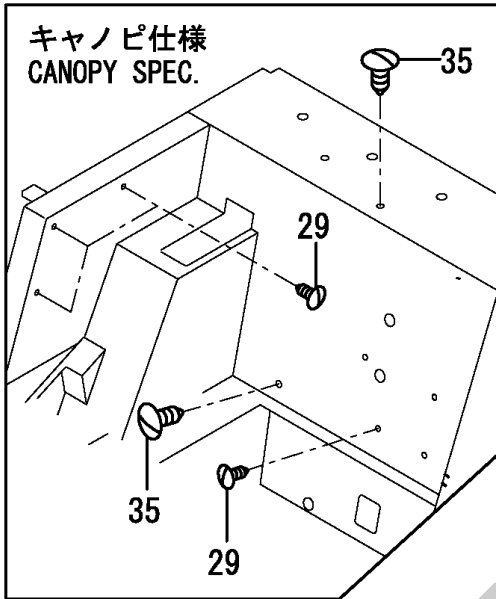
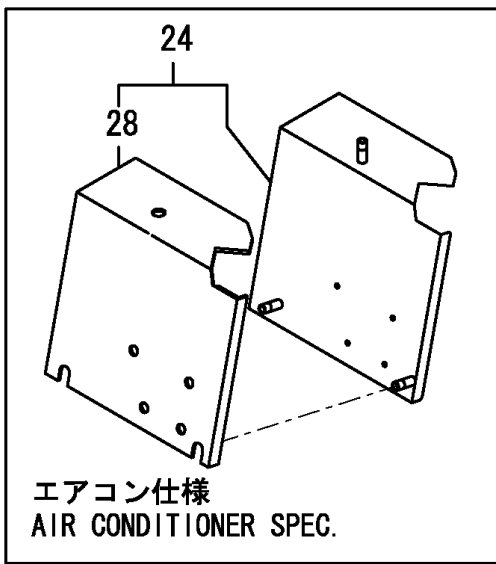
クレーンキット(キャビン)は、項目136を参照下さい。  
CRANE KIT (CABIN) is shown in Fig. 136.

172478-08560

クレーンキット(キャノピー)は、項目136を参照下さい。  
CRANE KIT (CANOPY) is shown in Fig. 136.

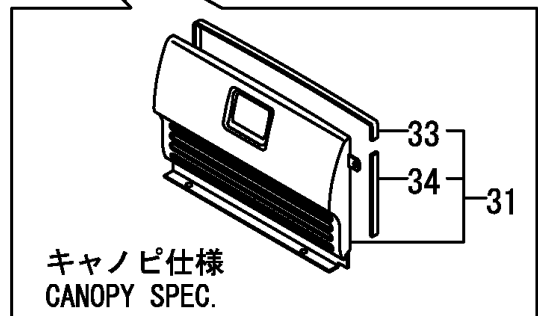
1,1,,172122-17190,,CLIP,2,,2,,,,,,,,,,,,,,,,,,,,,  
2,1,,172164-45880,,,"BOLT 6X 16",2,,2,,,,,,,,,,,,,,,,,,,,,  
3,1,,172187-61690,,,"VENTILATOR",1,,1,,,,,,,,,,,,,,,,,,,,,  
4,1,,172455-63371,,,"COVER,SEAT MT (72)",1,,1,,,,,,,,,,,,,,,,,,,,,  
11,2,,172455-63511,,,"TRIM A",1,,1,,,,,,,,,,,,,,,,,,,,,  
12,2,,172455-63521,,,"TRIM B",1,,1,,,,,,,,,,,,,,,,,,,,,  
13,1,,172455-63440,,,"COVER ASSY,SIDE (72)",1,,1,,,,,,,,,,,,,,,,,,,,,  
16,1,,172455-64960,,,"GRILLE ASSY(GRAY:73)",1,,1,,,,,,,,,,,,,,,,,,,,,  
17,2,,172455-64150,,,"TRIM 760",1,,1,,,,,,,,,,,,,,,,,,,,,  
18,2,,172455-64160,,,"TRIM 195",1,,1,,,,,,,,,,,,,,,,,,,,,  
20,1,,172165-66980,,,"BOLT M 8X 25",3,,3,,,,,,,,,,,,,,,,,,,,,  
21,1,,22137-100000,,,"WASHER 10,POLISHED",3,,3,,,,,,,,,,,,,,,,,,,,,  
22,1,,26013-100202,,,"BOLT W/WASHER M10X20",2,2,2,,,,,,,,,,,,,,,,,,,,,  
23,1,,26013-100702,,,"BOLT 10X70 W/SP.WSHR",3,,3,,,,,,,,,,,,,,,,,,,,,  
24,1,,172455-63301,,,"COVER,SEAT MT (72)",1,,1,,,,,,,,,,,,,,,,,,,,,  
28,2,,172455-63361,,,"TRIM",1,,1,,,,,,,,,,,,,,,,,,,,,  
29,1,,172444-17660,,,"CLIP",7,,,,,,,,,,,,,,,,,,,,,  
30,1,,172151-62240,,,"GROMMET",3,,,,,,,,,,,,,,,,,,,,,  
31,1,,172455-64080,,,"COVER ASY,SEAT MT(73)",1,,,,,,,,,,,,,,,,,,,,,  
33,2,,172455-64150,,,"TRIM 760",1,,,,,,,,,,,,,,,,,,,,,  
34,2,,172455-64160,,,"TRIM 195",1,,,,,,,,,,,,,,,,,,,,,  
35,1,,172122-17190,,,"CLIP",3,,,,,,,,,,,,,,,,,,,,,  
36,1,,172519-63240,,,"BOLT 8X 16",2,,2,,,,,W,72478089,M/#20501,,,,,,,,,,,,,I





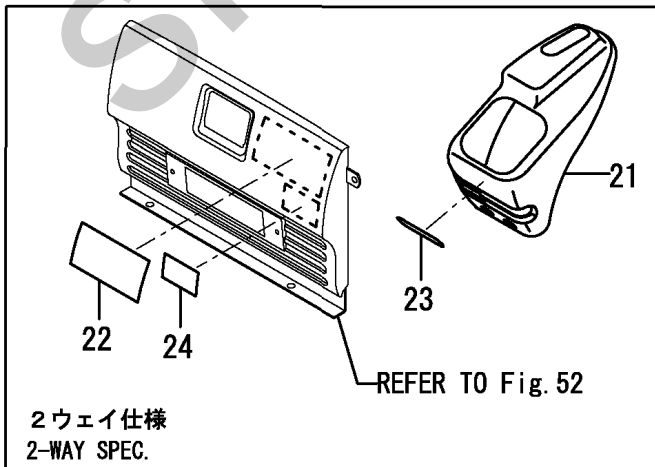
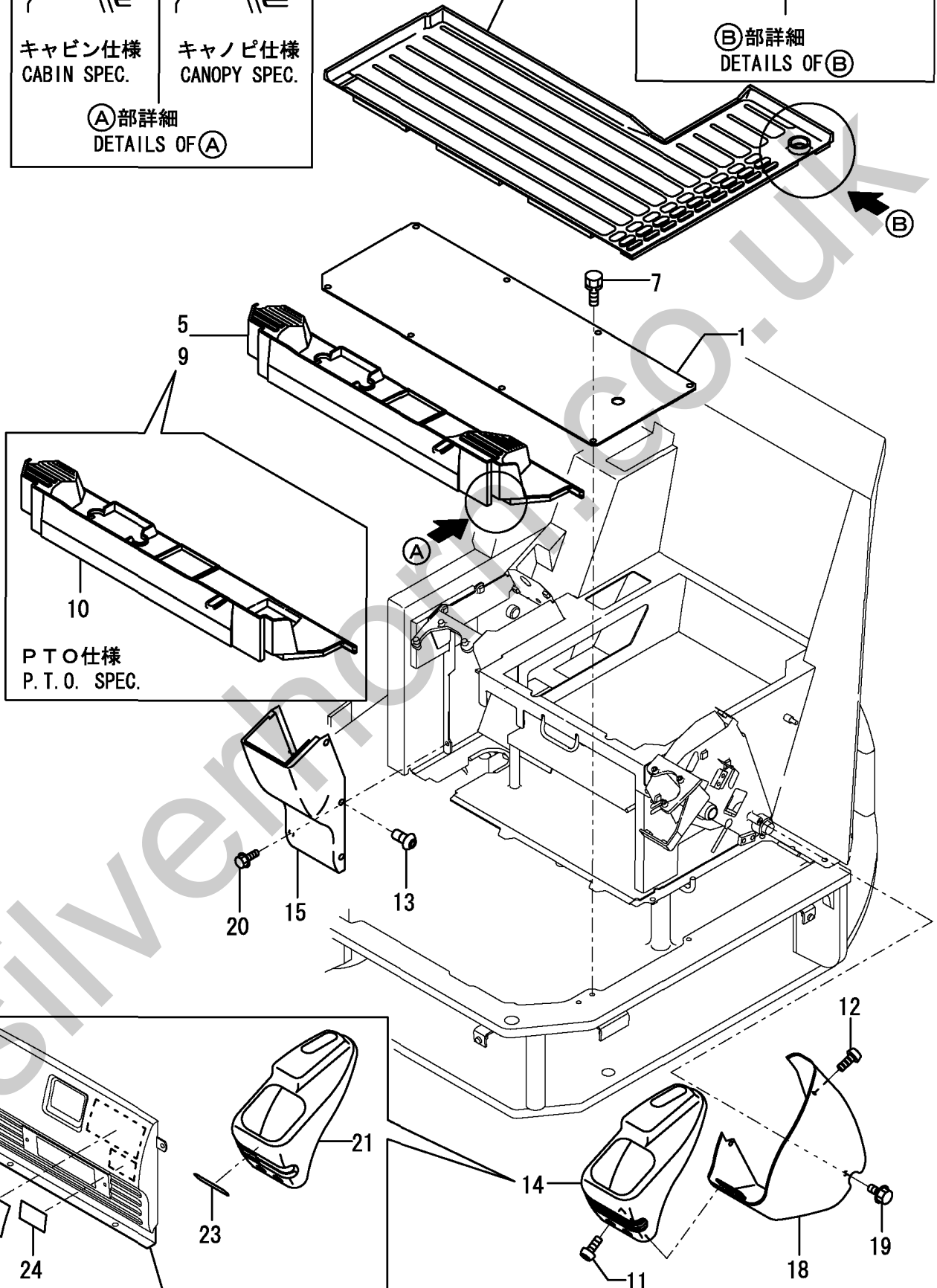
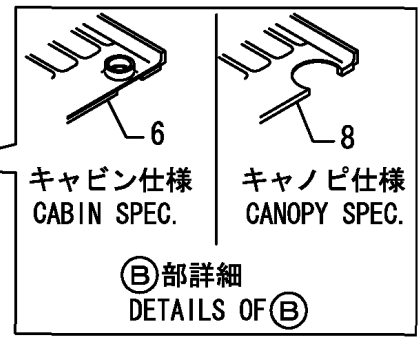
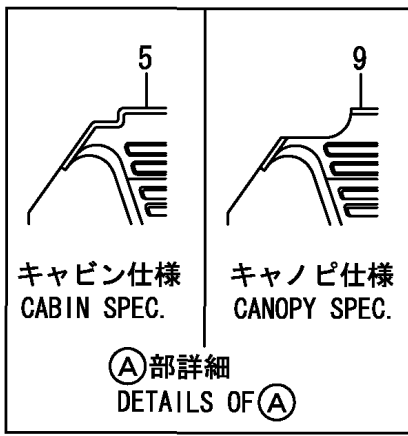
172478-08100  
エアコンキットは、項目130を参照下さい。  
AIR CONDITIONER KIT is shown in Fig. 130.

172455-08160  
ヒータキットは、項目131を参照下さい。  
HEATER KIT is shown in Fig. 131.



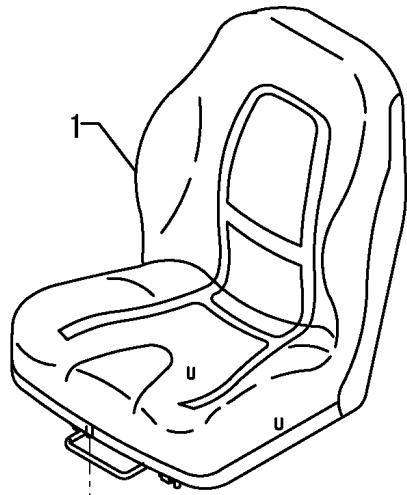
1,1,,172455-62100,,STEP,1,1,1,,,,,,,,,,,,,  
5,1,,172455-62160,, "MAT B",1,,1,,,,,,,,,,,,,  
6,1,,172455-62170,, "MAT A",1,,1,,,,,,,,,,,,,  
7,1,,26013-100202,, "BOLT W/WASHER M10X20",8,8,8,,,,,,,,,,,,,  
8,1,,172478-62170,, "FLOOR MAT A",,1,,,,,,,,,,,,,  
9,1,,172455-62180,, "FLOOR MAT B",,1,,,,,,,,,,,,,  
10,1,,172455-62250,, "FLOOR MAT B, PTO",1,,,,,,,,,,,,,  
11,1,,172458-46720,, "BOLT 8X20",3,3,3,,,,,,,,,,,,,  
12,1,,172458-46720,, "BOLT 8X20",1,1,1,,,,,,,,,,,,,  
13,1,,172458-46720,, "BOLT 8X20",1,1,1,,,,,,,,,,,,,  
14,1,,172458-63100,, "INSTRUMENT PANEL L",1,1,1,,,,,,,,,,,,,  
15,1,,172187-63120,, "COVER (R)",1,1,1,,,,,,,,,,,,,  
18,1,,172458-63120,, "INSTRUMENT PANEL L",1,1,1,,,,,,,,,,,,,  
19,1,,172519-63240,, "BOLT 8X 16",2,2,2,,,,,,,,,,,,,  
20,1,,172519-63240,, "BOLT 8X 16",3,3,3,,,,,,,,,,,,,  
21,1,,172458-63110,, "INSTRUMENT PANEL L,2",1,,1,,,,,,,,,,,,,  
22,2,,172458-03550,, LABEL,1,,,,,,,,,,,,,I  
23,2,,172458-03560,, LABEL,1,,,,,,,,,,,,,I  
24,2,,172458-03570,, LABEL,1,,,,,,,,,,,,,I

Silverhorn.CO.UK

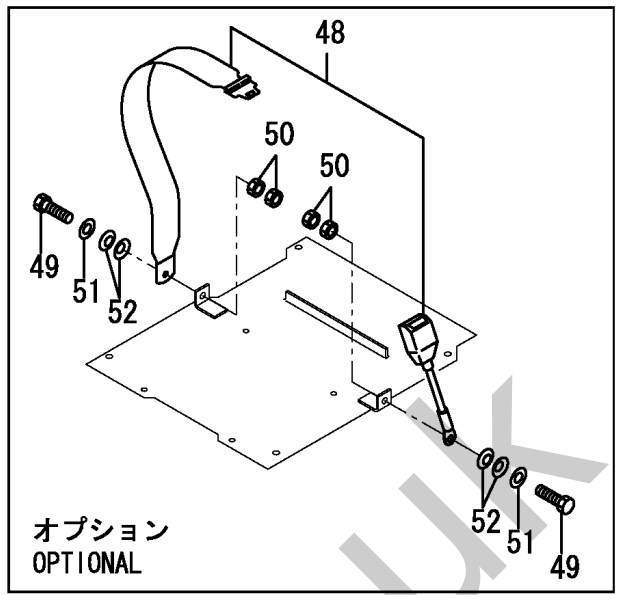
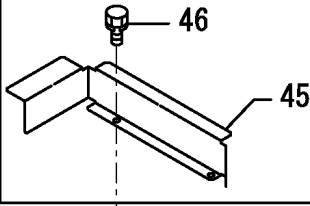


172478-08520  
2ウェイマルチバルブキットは、項目135を参照下さい。  
2-WAY MULTI VALVE KIT is shown in Fig.135.

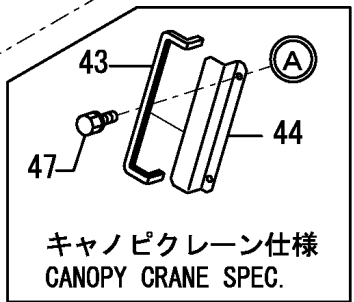
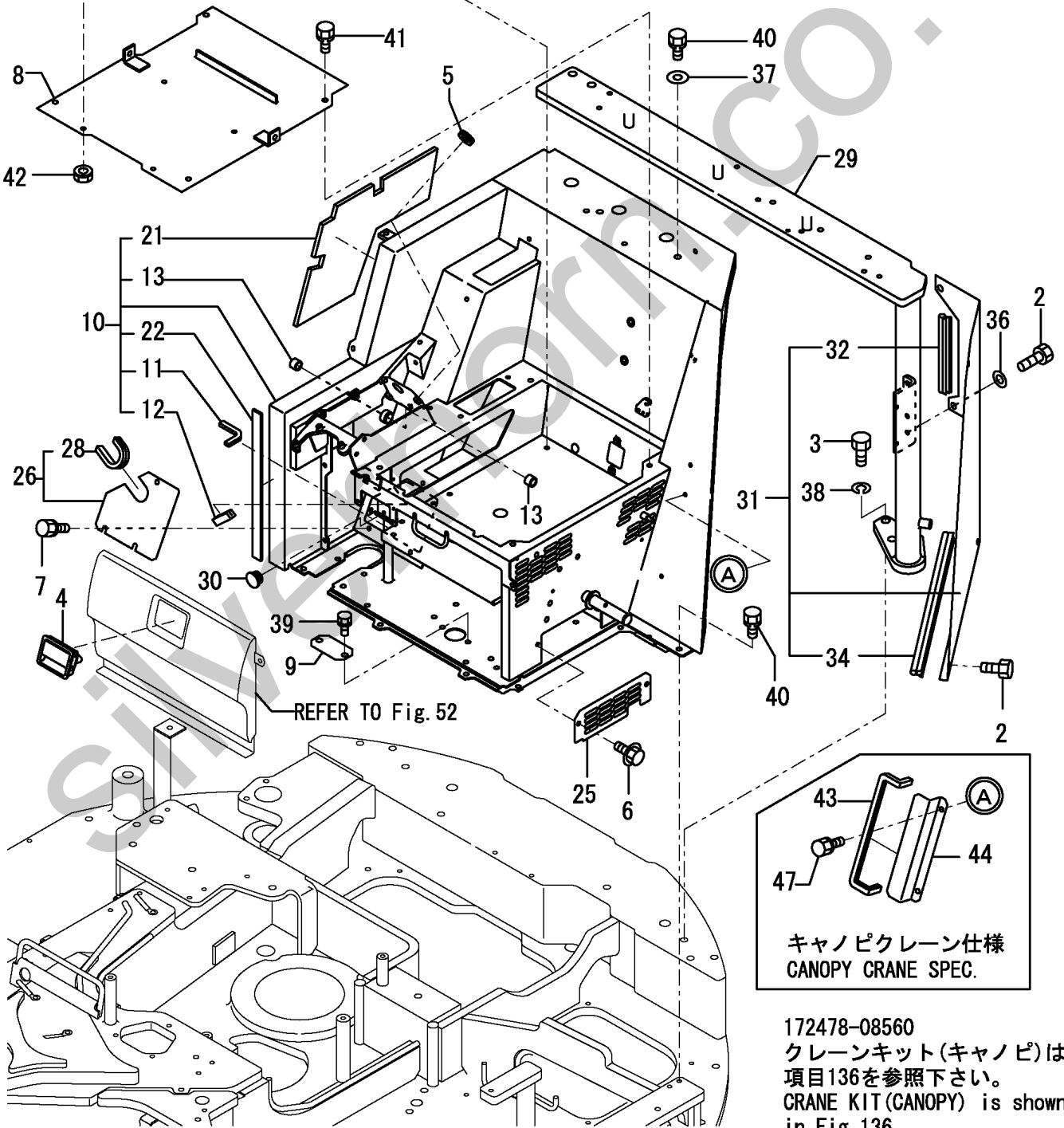
1,1,,172455-64200,, "SEAT, OPERATOR",1,1,1,,,,,,,,,,,,,  
2,1,,172168-46760,, "BOLT M10X20",5,5,5,,,,,,,,,,,,,  
3,1,,172165-53490,, "BOLT M16X 40",5,5,5,,,,,,,,,,,,,  
4,1,,172187-61421,, "HANDLE, LOCK",1,1,1,,,,,,,,,,,,,  
5,1,,198511-62300,, "GROMMET 15",1,1,1,,,,,,,,,,,,,  
6,1,,172519-63240,, "BOLT 8X 16",2,2,2,,,,,,,,,,,,,  
7,1,,172519-63240,, "BOLT 8X 16",3,3,3,,,,,,,,,,,,,  
8,1,,172478-64100,, "PLATE,SEAT (GRAY:72)",1,1,1,,,,,,,,,,,,,  
9,1,,172455-64170,, "COVER H, SEAT MOUNT",1,1,1,,,,,,,,,,,,,  
10,1,,172478-64200,, "MOUNT ASSY, SEAT",1,1,,,,,,,,,,,,,  
10-1,1,,172478-64201,, "MOUNT ASSY,  
SEAT",1,1,1,,,,,N,,72478059,M/#20557,72458059,M/#20557,,,,,  
11,2,,172156-11150,, "SEAL, ENGINE",1,1,1,,,,,,,,,,,,,  
12,2,,172455-61580,, "RUBBER 30",1,1,1,,,,,,,,,,,,,  
13,2,,172141-41360,, "BUSH  
1415",2,2,2,,,,,W,,72455375,\*20011016,72455375,\*20011016,,,,,  
21,2,,172455-66580,, "MAT",1,1,1,,,,,,,,,,,,,  
22,2,,172164-66640,, "RUBBER, SEAL 400",1,1,1,,,,,,,,,,,,,  
25,1,,172478-64280,, "COVER F,SEAT MOUNT",1,1,1,,,,,,,,,,,,,  
26,1,,172478-64340,, "COVER A,SEAT MOUNT",1,1,1,,,,,,,,,,,,,  
28,2,,172455-64700,, "RUBBER 135",1,1,1,,,,,,,,,,,,,  
29,1,,172455-64802,, "BRACKET ASSY(GRAY:73)",1,1,1,,,,,,,,,,,,,  
30,1,,172187-64900,, "PLUG",1,1,1,,,,,,,,,,,,,  
31,1,,172455-66380,, "COVER B ASSY (96)",1,1,1,,,,,,,,,,,,,  
32,2,,172162-61120,, "SEAL,COVER B",1,1,1,,,,,,,,,,,,,  
34,2,,172455-66390,, "SEAL 570",1,1,1,,,,,,,,,,,,,  
36,1,,22137-100000,, "WASHER 10,POLISHED",3,3,3,,,,,,,,,,,,,  
37,1,,22137-100000,, "WASHER 10,POLISHED",2,2,2,,,,,,,,,,,,,  
38,1,,22217-160000,, "SPRING WASHER 16",5,5,5,,,,,,,,,,,,,  
39,1,,26013-080162,, "BOLT W/WASHER M8X16",2,2,2,,,,,,,,,,,,,  
40,1,,26013-100202,, "BOLT W/WASHER M10X20",6,6,6,,,,,,,,,,,,,  
41,1,,26013-100202,, "BOLT W/WASHER M10X20",4,4,4,,,,,,,,,,,,,  
42,1,,26051-080002,, "NUT M 8",4,4,4,,,,,,,,,,,,,  
43,1,,172146-61360,, "RUBBER, SEAL",,1,,,,,2,,,,,,,,,,,,,  
44,1,,172455-63250,, "HARNESS COVER A,SEAT",,1,,,,,2,,,,,,,,,,,,,  
45,1,,172455-63270,, "HARNESS COVER B,SEAT",,1,,,,,2,,,,,,,,,,,,,  
46,1,,26013-100162,, "BOLT M10X 16",,2,,,,,2,,,,,,,,,,,,,  
47,1,,26013-100162,, "BOLT M10X 16",,2,,,,,2,,,,,,,,,,,,,  
48,1,,172989-64451,, "BELT, SEAT",1,1,,,,,,,,,,,,,I  
49,1,,172433-64510,, "BOLT 7/16-20-UNF",2,2,,,,,,,,,,,,,I  
50,1,,172187-64830,, "NUT 7/16-20UNF",4,4,,,,,,,,,,,,,I  
51,1,,22137-120000,, "WASHER 12,POLISHED",4,4,,,,,,,,,,,,,I  
52,1,,933170-01490,, "SPRING 12",4,4,,,,,,,,,,,,,I



キャノピクレーン仕様  
CANOPY CRANE SPEC.



オプション  
OPTIONAL



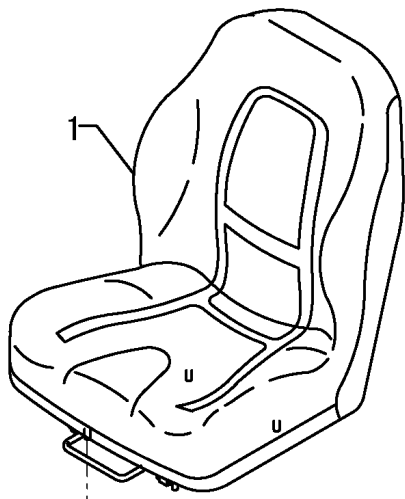
キャノピクレーン仕様  
CANOPY CRANE SPEC.

172478-08560  
クレーンキット(キャノピ)は、  
項目136を参照下さい。  
CRANE KIT(CANOPY) is shown  
in Fig. 136.



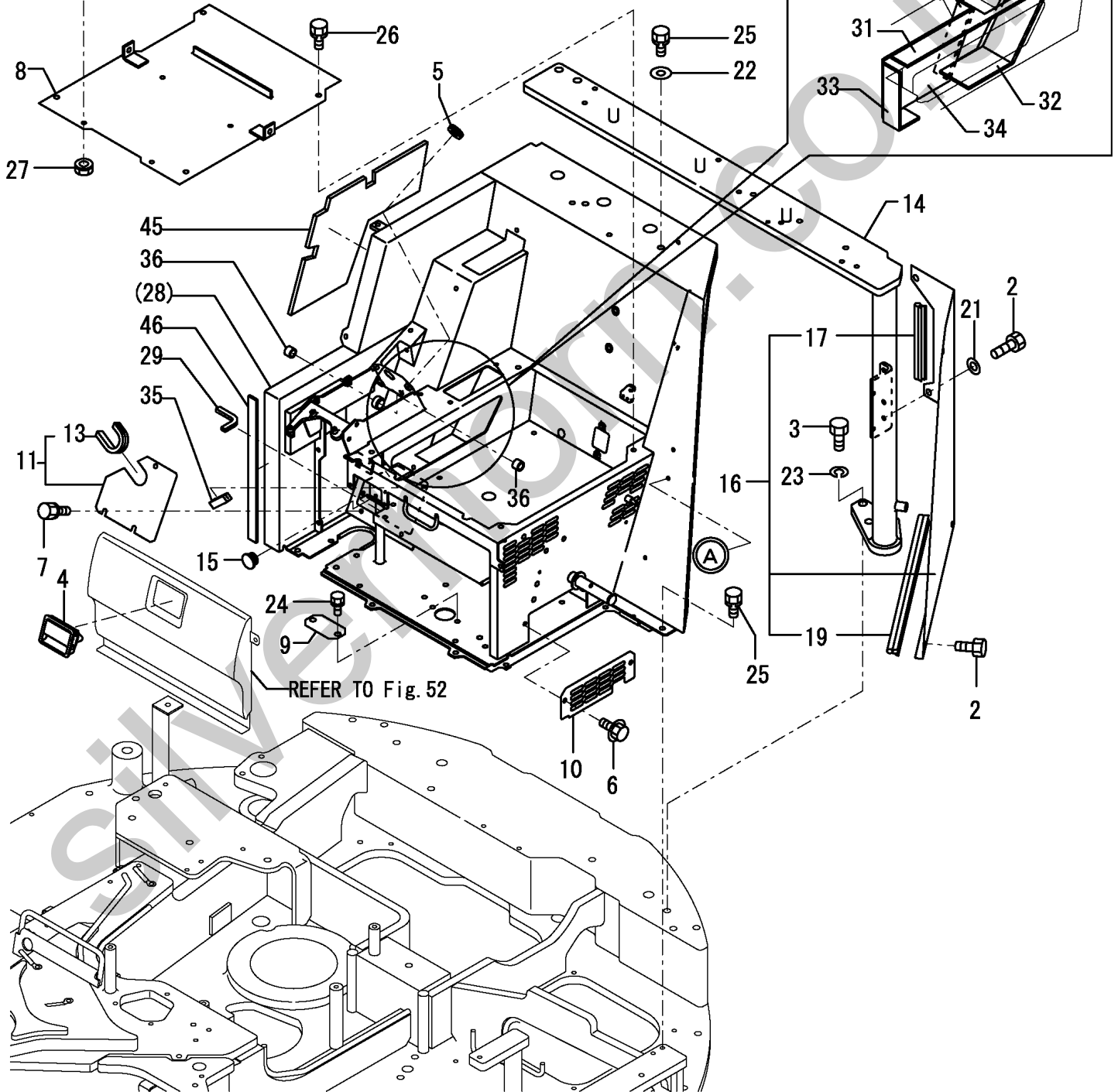
1,1,,172455-64200,, "SEAT, OPERATOR",1,,,,,,,,,,,,,  
 2,1,,172168-46760,, "BOLT M10X20",5,,,,,,,,,,,,,  
 3,1,,172165-53490,, "BOLT M16X 40",5,,,,,,,,,,,,,  
 4,1,,172187-61421,, "HANDLE, LOCK",1,,,,,,,,,,,,,  
 5,1,,198511-62300,, "GROMMET 15",1,,,,,,,,,,,,,  
 6,1,,172519-63240,, "BOLT 8X 16",2,,,,,,,,,,,,,  
 7,1,,172519-63240,, "BOLT 8X 16",3,,,,,,,,,,,,,  
 8,1,,172478-64100,, "PLATE,SEAT (GRAY:72)",1,,,,,,,,,,,,,  
 9,1,,172455-64170,, "COVER H, SEAT MOUNT",1,,,,,,,,,,,,,  
 10,1,,172478-64280,, "COVER F,SEAT MOUNT",1,,,,,,,,,,,,,  
 11,1,,172478-64340,, "COVER A,SEAT MOUNT",1,,,,,,,,,,,,,  
 13,2,,172455-64700,, "RUBBER 135",1,,,,,,,,,,,,,  
 14,1,,172455-64802,, "BRACKET ASSY(GRAY:73)",1,,,,,,,,,,,,,  
 15,1,,172187-64900,, "PLUG",1,,,,,,,,,,,,,  
 16,1,,172455-66380,, "COVER B ASSY (96)",1,,,,,,,,,,,,,  
 17,2,,172162-61120,, "SEAL,COVER B",1,,,,,,,,,,,,,  
 19,2,,172455-66390,, "SEAL 570",1,,,,,,,,,,,,,  
 21,1,,22137-100000,, "WASHER 10,POLISHED",3,,,,,,,,,,,,,  
 22,1,,22137-100000,, "WASHER 10,POLISHED",2,,,,,,,,,,,,,  
 23,1,,22217-160000,, "SPRING WASHER 16",5,,,,,,,,,,,,,  
 24,1,,26013-080162,, "BOLT W/WASHER M8X16",2,,,,,,,,,,,,,  
 25,1,,26013-100202,, "BOLT W/WASHER M10X20",6,,,,,,,,,,,,,  
 26,1,,26013-100202,, "BOLT W/WASHER M10X20",4,,,,,,,,,,,,,  
 27,1,,26051-080002,, "NUT M 8",4,,,,,,,,,,,,,  
 28,1,,172478-64180,, "MOUNT ASSY,SEAT (A/C",1,,,,,1,,,,,  
 28-1,1,,172478-64181,, "MOUNT ASSY,SEAT  
 (A/C",1,,,,,N,1,72478059,M/#20557,,,,,  
 29,2,,172156-11150,, "SEAL, ENGINE",1,,,,,1,,,,,  
 30,2,,172455-19160,, "SEAT",1,,,,,1,,,,,  
 31,2,,172455-19170,, "SEAT",1,,,,,1,,,,,  
 32,2,,172455-19180,, "SEAT",1,,,,,1,,,,,  
 33,2,,172455-19190,, "SEAT",1,,,,,1,,,,,  
 34,2,,172455-19200,, "SEAT",1,,,,,1,,,,,  
 35,2,,172455-61580,, "RUBBER 30",1,,,,,1,,,,,  
 36,2,,172141-41360,, "BUSH 1415",2,,,,,W,1,72455375,M/#20504,,,,,  
 45,2,,172455-66580,, "MAT",1,,,,,1,,,,,  
 46,2,,172164-66640,, "RUBBER, SEAL 400",1,,,,,1,,,,,





見だしNo. 28は  
見だしNo. (28)から46を含みます。  
28 inc (28)~46.

28



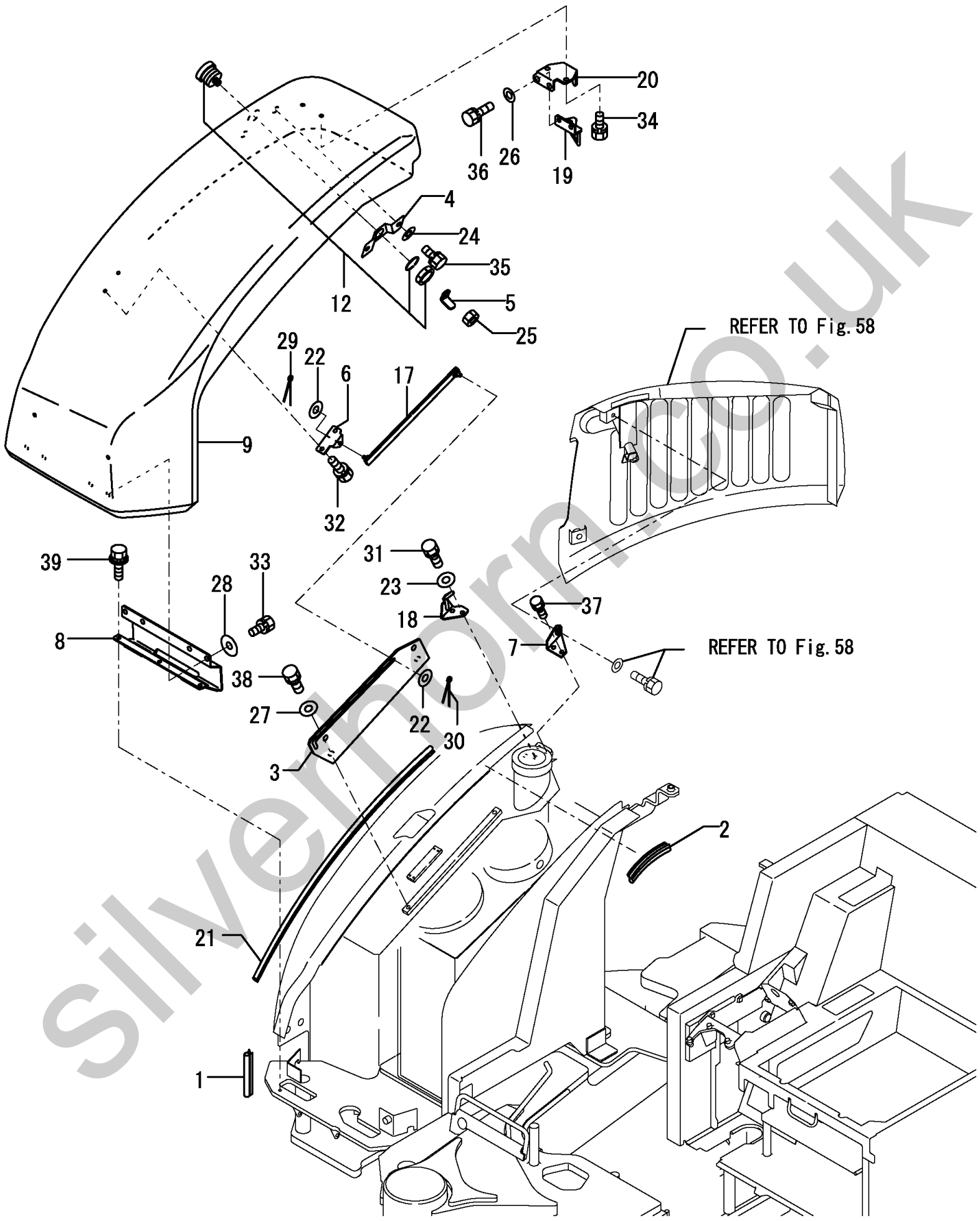
REFER TO Fig. 52

172478-08100

エアコンキットは、項目130を参照下さい。  
AIR CONDITIONER KIT is shown in Fig. 130.

1,1,,172444-54920,, "SEAL,WEIGHT C",1,1,1,,,,,,,,,,,,,  
2,1,,172434-61180,, "TRIM 195",1,1,1,,,,,,,,,,,,,  
3,1,,172455-65220,, "PLATE, RAIL",1,1,1,,,,,,,,,,,,,  
4,1,,172455-65230-4,, "PLATE,DEY (GREEN:97)",1,1,1,,,,,,,,,,,,,  
5,1,,172455-65240,, "PLATE, ROCK",1,1,1,,,,,,,,,,,,,  
6,1,,172445-65250,, BRACKET,1,1,1,,,,,,,,,,,,,  
7,1,,172455-65660,, "STAY, COVER",1,1,1,,,,,,,,,,,,,  
8,1,,172455-65741,, "HINGE ASSY(GREEN:97)",1,1,1,,,,,,,,,,,,,  
9,1,,172455-66100,, BONNET,1,1,1,,,,,,,,,,,,,  
12,1,,172164-66170,, "KEY ASSY, CYLINDER",1,1,1,,,,,,,,,,,,,  
17,1,,172455-66200,, "ROD, STOPPER",1,1,1,,,,,,,,,,,,,  
18,1,,172455-66400,, "BRACKET, ROCK",1,1,1,,,,,,,,,,,,,  
19,1,,172455-66430,, "BRACKET, GUIDE",1,1,1,,,,,,,,,,,,,  
20,1,,172455-66450,, PLATE,1,1,1,,,,,,,,,,,,,  
21,1,,172187-68050,, "SEAL,COVER FRONT",1,1,1,,,,,,,,,,,,,  
22,1,,22137-080000,, "WASHER 8, POLISHED",2,2,2,,,,,,,,,,,,,  
23,1,,22137-080000,, "WASHER 8, POLISHED",2,2,2,,,,,,,,,,,,,  
24,1,,22137-100000,, "WASHER 10,POLISHED",2,2,2,,,,,,,,,,,,,  
25,1,,26347-100002,, "U-NUT 10",1,1,1,,,,,,,,,,,,,  
26,1,,22137-100000,, "WASHER 10,POLISHED",2,2,2,,,,,,,,,,,,,  
27,1,,22137-120000,, "WASHER 12,POLISHED",4,4,4,,,,,,,,,,,,,  
28,1,,22157-080000,, "WASHER 8",4,4,4,,,,,,,,,,,,,  
29,1,,22372-080000,, "SNAP PIN (JASO 8)",1,1,1,,,,,,,,,,,,,  
30,1,,22417-200200,, "COTTER PIN 2.0X20",1,1,1,,,,,,,,,,,,,  
31,1,,26013-080122,, "BOLT M 8X 12",2,2,2,,,,,,,,,,,,,  
32,1,,26013-080162,, "BOLT W/WASHER M8X16",2,2,2,,,,,,,,,,,,,  
33,1,,26013-080162,, "BOLT W/WASHER M8X16",4,4,4,,,,,,,,,,,,,  
34,1,,26013-100202,, "BOLT W/WASHER M10X20",2,2,2,,,,,,,,,,,,,  
35,1,,26013-100202,, "BOLT W/WASHER M10X20",2,2,2,,,,,,,,,,,,,  
36,1,,26013-100252,, "BOLT W/WASHER M10X25",2,2,2,,,,,,,,,,,,,  
37,1,,26013-100252,, "BOLT W/WASHER M10X25",2,2,2,,,,,,,,,,,,,  
38,1,,26013-120202,, "BOLT W/WASHER M12X20",4,4,4,,,,,,,,,,,,,  
39,1,,26014-080162,, "BOLT M 8X 16",3,3,3,,,,,,,,,,,,,



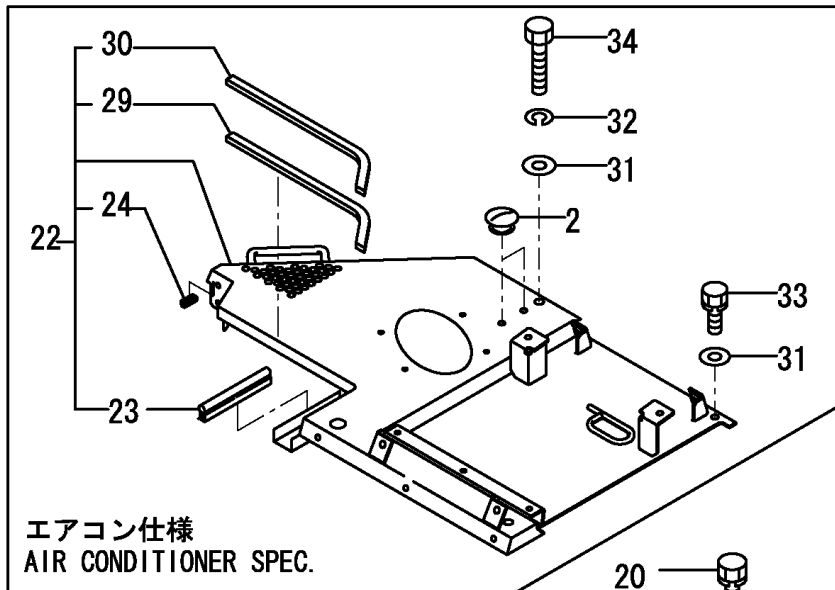


1,1,,172162-61500,,RUBBER,1,1,1,,,,,,,,,,,,,  
2,1,,172187-64900,,PLUG,2,2,2,,,,,,,,,,,,,  
3,1,,172455-65201,, "BONNET ASSY,UP (97)",1,1,1,,,,,,,,,,,,,  
4,2,,172434-61350,, "RUBBER, SEAL 140",1,1,1,,,,,,,,,,,,,  
5,2,,172478-65220,, "RUBBER,20",1,1,1,,,,,,,,,,,,,  
9,2,,172455-66711,,SPONGE,1,1,1,,,,,,,,,,,,,  
10,2,,172478-65800,, "SEAL,SPONGE  
400",1,1,1,, ,W,,72478063,M/#20557,,,,,,,,,,,,,I  
11,1,,172455-65700,, "COVER, EX.",1,1,1,,,,,,,,,,,,,  
12,1,,172455-66470,, "PLATE, STOPPER",1,1,1,,,,,,,,,,,,,  
13,1,,22137-080000,, "WASHER 8, POLISHED",4,4,4,,,,,,,,,,,,,  
14,1,,22137-100000,, "WASHER 10,POLISHED",2,2,2,,,,,,,,,,,,,  
15,1,,22137-100000,, "WASHER 10,POLISHED",3,3,3,,,,,,,,,,,,,  
16,1,,22157-120000,, "WASHER 12",1,1,1,,,,,,,,,,,,,  
17,1,,22217-100000,, "SPRING WASHER 10",3,3,3,,,,,,,,,,,,,  
18,1,,26013-080162,, "BOLT W/WASHER M8X16",4,4,4,,,,,,,,,,,,,  
19,1,,26013-100202,, "BOLT W/WASHER M10X20",2,2,2,,,,,,,,,,,,,  
20,1,,26013-120202,, "BOLT W/WASHER M12X20",1,1,1,,,,,,,,,,,,,  
21,1,,26116-100502,, "BOLT M10X 50 PLATED",3,3,3,,,,,,,,,,,,,  
22,1,,172455-66351,, "BONNET ASSY,UP (97)",1,,,,,,,,,1,,,,,,,,,  
23,2,,172434-61350,, "RUBBER, SEAL 140",1,,,,,,,,,1,,,,,,,,,  
24,2,,172478-65220,, "RUBBER,20",1,,,,,,,,,1,,,,,,,,,  
29,2,,172455-66711,,SPONGE,1,,,,,,,,,1,,,,,,,,,  
30,2,,172478-65800,, "SEAL,SPONGE 400",1,,,,,,,,,W,,72478063,M/#20557,,,,,,,,,,,,,I  
31,1,,22137-100000,, "WASHER 10,POLISHED",3,,,,,,,,,1,,,,,,,,,  
32,1,,22217-100000,, "SPRING WASHER 10",2,,,,,,,,,1,,,,,,,,,  
33,1,,26013-100202,, "BOLT W/WASHER M10X20",1,,,,,,,,,1,,,,,,,,,  
34,1,,26116-100502,, "BOLT M10X 50 PLATED",2,,,,,,,,,1,,,,,,,,,

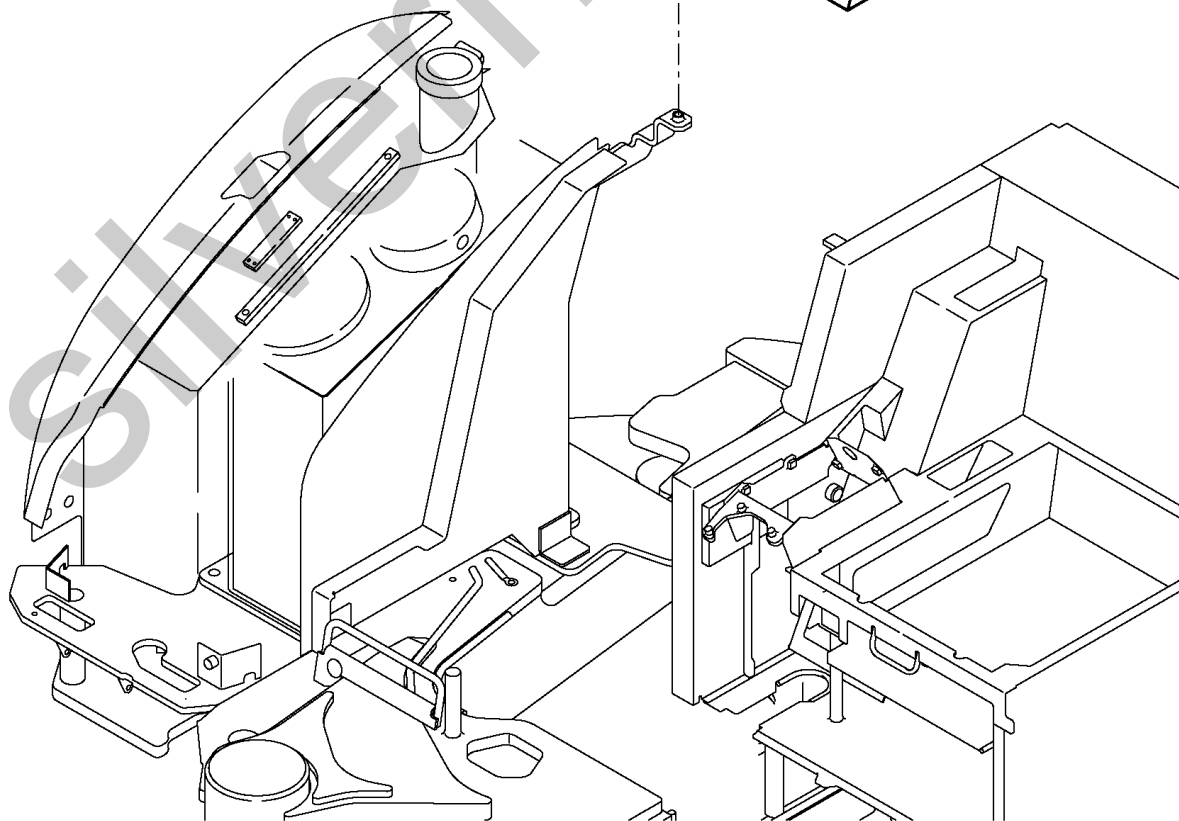
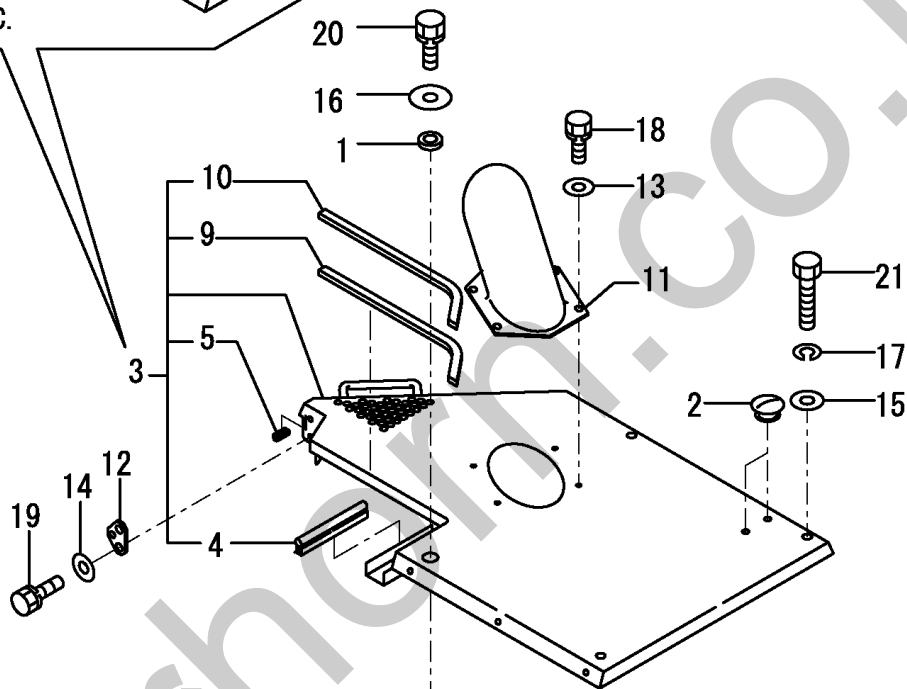


172478-08100

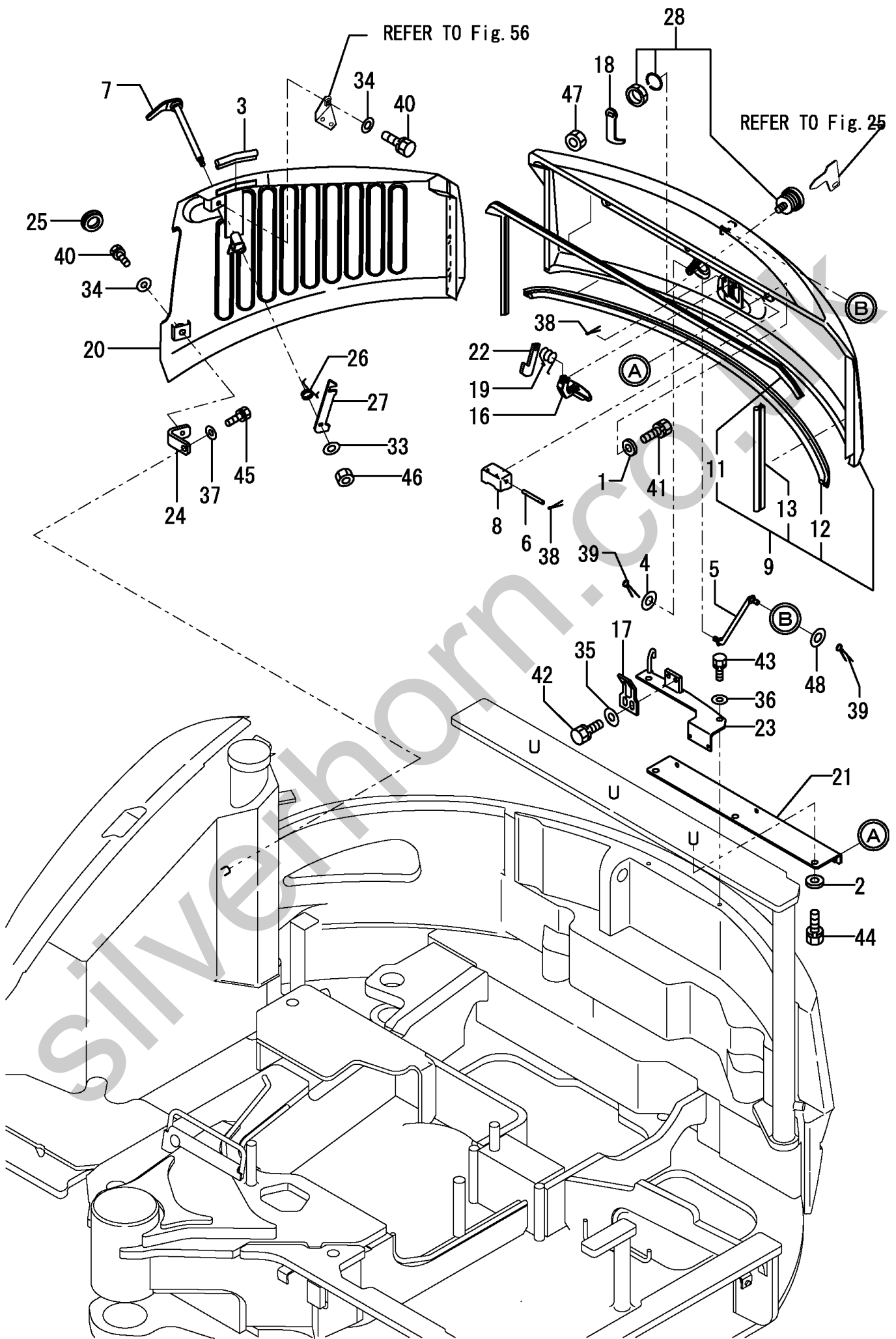
エアコンキットは、項目130を参照下さい。  
AIR CONDITIONER KIT is shown in Fig. 130.



エアコン仕様  
AIR CONDITIONER SPEC.



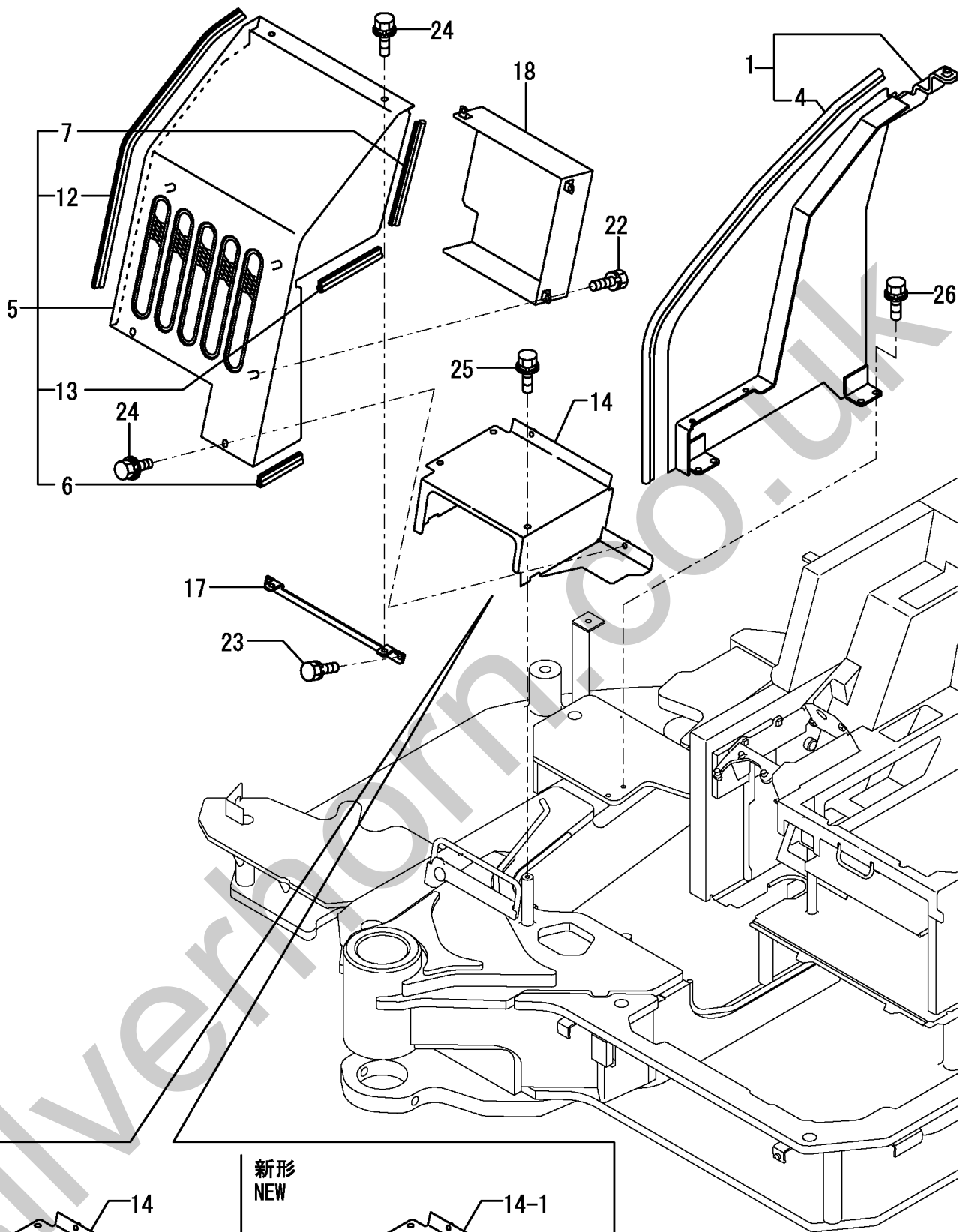
1,1,,194145-04810,, "WASHER 10",3,3,3,,,,,,,,,,,,,,,,,,,,,  
2,1,,194145-04810,, "WASHER 10",3,3,3,,,,,,,,,,,,,,,,,,,,,  
3,1,,172434-61350,, "RUBBER, SEAL 140",1,1,1,,,,,,,,,,,,,,,,,,,,,  
4,1,,1A1380-62160,, "WASHER,2,2,,,,,,,,,,,,,,,,,,,,,  
4-1,1,,1A1380-  
62160,, "WASHER,1,1,1,,,,,K,,72458487,M/#20501,72458487,M/#20501,,,,,,,,,,,,,I  
5,1,,172444-64730,, "ROD,STOPPER",1,1,1,,,,,,,,,,,,,,,,,,,,,  
6,1,,172458-65050,, "SHAFT,1,1,1,,,,,,,,,,,,,,,,,,,,,  
7,1,,172455-65060,, "HOOK,1,1,1,,,,,,,,,,,,,,,,,,,,,  
8,1,,172458-65060,, "COVER,BONNET LOCK",1,1,1,,,,,,,,,,,,,,,,,,,,,  
9,1,,172455-65100,, "BONNET A ASSY (96)",1,1,1,,,,,,,,,,,,,,,,,,,,,  
11,2,,172455-65950,, "SEAL, RUBBER 1440",1,1,1,,,,,,,,,,,,,,,,,,,,,  
12,2,,172455-65960,, "SEAL, RUBBER 1190",1,1,1,,,,,,,,,,,,,,,,,,,,,  
13,2,,172455-65970,, "SEAL, RUBBER 310",1,1,1,,,,,,,,,,,,,,,,,,,,,  
16,1,,172187-65210,, "LEVER ASSY, LOCK",1,1,1,,,,,,,,,,,,,,,,,,,,,  
17,1,,172187-65270,, "PLATE, CATCH",1,1,1,,,,,,,,,,,,,,,,,,,,,  
18,1,,172444-65270,, "ROCK PLATE",1,1,1,,,,,,,,,,,,,,,,,,,,,  
19,1,,172734-65270,, "SPRING, CATCH",1,1,1,,,,,,,,,,,,,,,,,,,,,  
20,1,,172478-65310,, "BONNET R (GREEN:96)",1,1,1,,,,,,,,,,,,,,,,,,,,,  
20-1,1,,172478-65300,, "BONNET R ASSY  
(EV",1,1,1,,,,,N,,72478066,M/#20501,72478066,M/#20501,,,,,,,,,,,,,I  
21,1,,172455-65410,, "BRACKET,1,1,1,,,,,,,,,,,,,,,,,,,,,  
22,1,,172124-65480,, "CATCHER,1,1,1,,,,,,,,,,,,,,,,,,,,,  
23,1,,172455-65500,, "BRACKET, ROCK",1,1,1,,,,,,,,,,,,,,,,,,,,,  
24,1,,172455-65560,, "STAY R, SIDE",1,1,1,,,,,,,,,,,,,,,,,,,,,  
25,1,,172455-65590,, "PLUG 28X2.3",1,1,1,,,,,,,,,,,,,,,,,,,,,  
26,1,,172156-65690,, "TORSION SPRING,STOPR",1,1,1,,,,,,,,,,,,,,,,,,,,,  
27,1,,172455-65800,, "PLATE, LOCK",1,1,1,,,,,,,,,,,,,,,,,,,,,  
28,1,,172164-66170,, "KEY ASSY, CYLINDER",1,1,1,,,,,,,,,,,,,,,,,,,,,  
33,1,,22137-080000,, "WASHER 8, POLISHED",1,1,1,,,,,,,,,,,,,,,,,,,,,  
34,1,,22137-100000,, "WASHER 10,POLISHED",4,4,4,,,,,,,,,,,,,,,,,,,,,  
35,1,,22137-100000,, "WASHER 10,POLISHED",2,2,2,,,,,,,,,,,,,,,,,,,,,  
36,1,,22137-100000,, "WASHER 10,POLISHED",2,2,2,,,,,,,,,,,,,,,,,,,,,  
37,1,,22137-100000,, "WASHER 10,POLISHED",1,1,1,,,,,,,,,,,,,,,,,,,,,  
38,1,,22417-200200,, "COTTER PIN 2.0X20",2,2,2,,,,,,,,,,,,,,,,,,,,,  
39,1,,22417-200200,, "COTTER PIN 2.0X20",2,2,2,,,,,,,,,,,,,,,,,,,,,  
40,1,,26013-100252,, "BOLT W/WASHER M10X25",4,4,4,,,,,,,,,,,,,,,,,,,,,  
41,1,,26013-100252,, "BOLT W/WASHER M10X25",3,3,3,,,,,,,,,,,,,,,,,,,,,  
42,1,,26013-100252,, "BOLT W/WASHER M10X25",2,2,2,,,,,,,,,,,,,,,,,,,,,  
43,1,,26013-100252,, "BOLT W/WASHER M10X25",2,2,2,,,,,,,,,,,,,,,,,,,,,  
44,1,,26013-100252,, "BOLT W/WASHER M10X25",3,3,3,,,,,,,,,,,,,,,,,,,,,  
45,1,,26013-100252,, "BOLT W/WASHER M10X25",1,1,1,,,,,,,,,,,,,,,,,,,,,  
46,1,,26347-080002,, "U-NUT 8",1,1,1,,,,,,,,,,,,,,,,,,,,,  
47,1,,26347-100002,, "U-NUT 10",1,1,1,,,,,,,,,,,,,,,,,,,,,  
48,1,,22137-080000,, "WASHER 8,  
POLISHED",1,1,1,,,,,W,,72458487,M/#20501,72458487,M/#20501,,,,,,,,,,,,,I



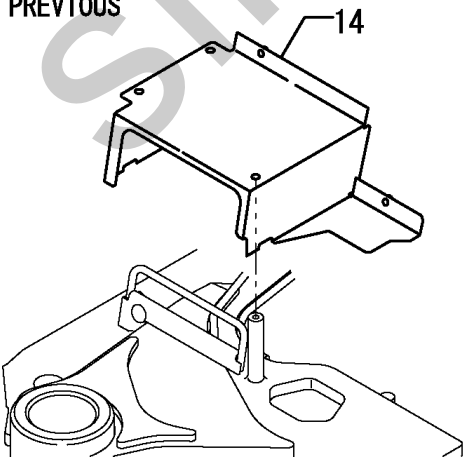


1,1,,172478-65400,, "COVER, SIDE(GREEN:97)",1,1,1,,,,,,,,,,,,,  
4,2,,172478-65490,, "RUBBER, SEAL 1110",1,1,1,,,,,,,,,,,,,  
5,1,,172478-65500,, "COVER, CENTER (96)",1,1,1,,,,,,,,,,,,,  
6,2,,172434-61350,, "RUBBER, SEAL 140",1,1,1,,,,,,,,,,,,,  
7,2,,172162-61880,, "SEAL, PLATE B",1,1,1,,,,,,,,,,,,,  
12,2,,172478-65590,, "RUBBER, SEAL 750",1,1,1,,,,,,,,,,,,,  
13,2,,172422-66150,, SEAL,1,1,1,,,,,,,,,,,,,  
14,1,,172478-65600,, "COVER, STEP (97)",1,1,,,,,,,,,,,,,  
14-1,1,,172478-65601,, "COVER, STEP  
(97)",1,1,1,,,,,S,,72478078,M/#20591,72478078,M/#20591,,,,,,I  
17,1,,172478-65650,, "BRACKET, FRONT",1,1,1,,,,,,,,,,,,,  
18,1,,172478-65700,, "DUCT, FRONT(BLACK:12)",1,1,1,,,,,,,,,,,,,  
22,1,,26013-080162,, "BOLT W/WASHER M8X16",3,3,3,,,,,,,,,,,,,  
23,1,,26013-100202,, "BOLT W/WASHER M10X20",2,2,2,,,,,,,,,,,,,  
24,1,,26014-100202,, "BOLT M10X 20",4,4,4,,,,,,,,,,,,,  
25,1,,26014-100202,, "BOLT M10X 20",4,4,,,,,,,,,,,,,  
25-1,1,,26014-100202,, "BOLT M10X  
20",3,3,3,,,,,K,,72478075,M/#20557,72478075,M/#20557,,,,,,I  
26,1,,26014-100202,, "BOLT M10X 20",4,4,4,,,,,,,,,,,,,

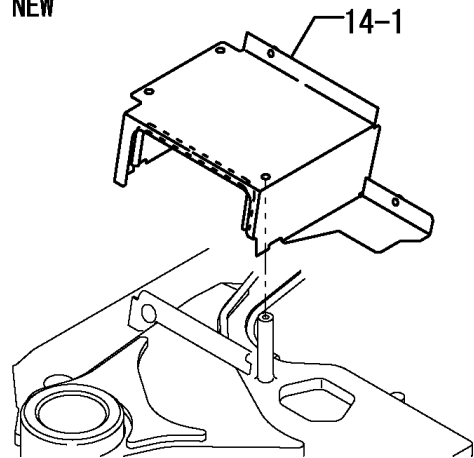
Silverhorn.CO.UK



旧形  
PREVIOUS

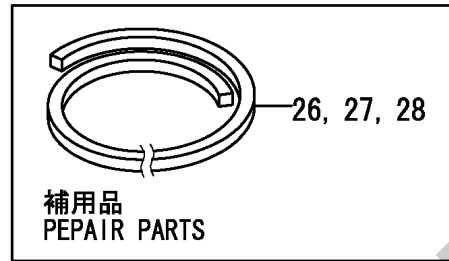
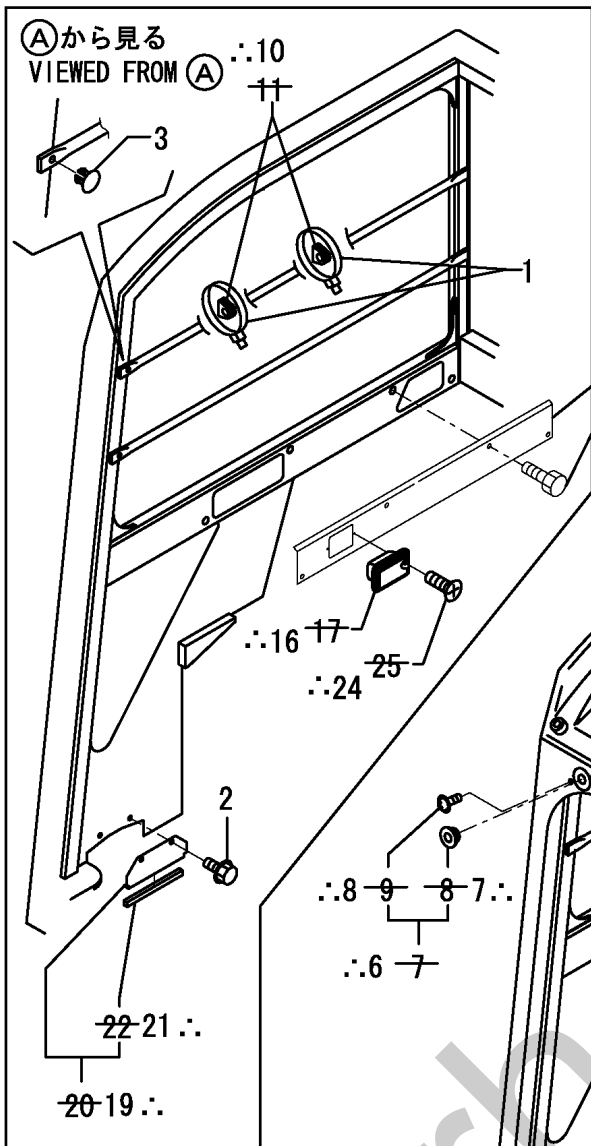


新形  
NEW

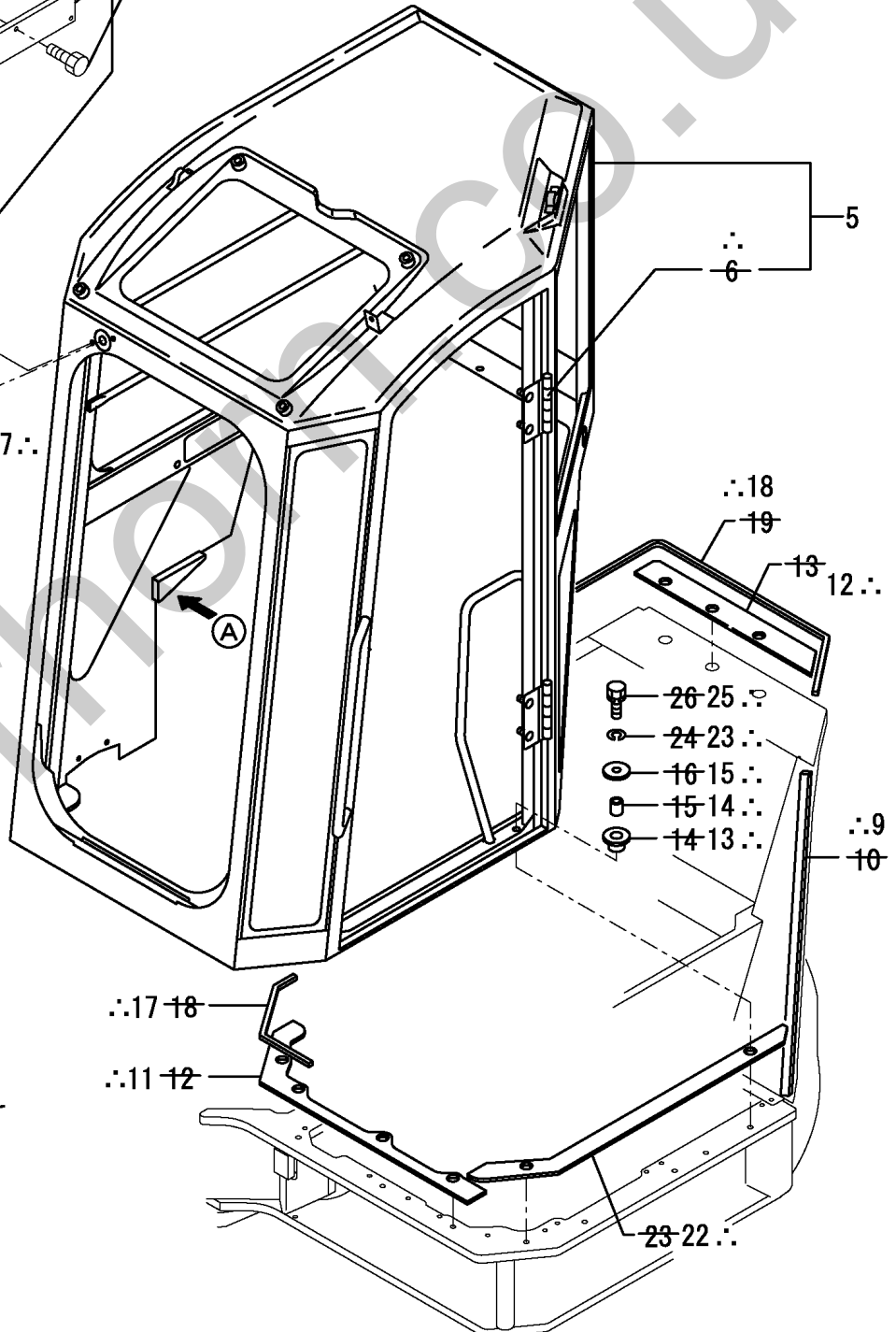


1,1,,172126-11510,, "BAND 300",2,,2,,,,,,,,,,,,,,,,,,,,,  
 2,1,,172519-63240,, "BOLT 8X 16",2,,2,,,,,,,,,,,,,,,,,,,,,  
 3,1,,172165-63650,, "PLUG 10,HOLE",2,,2,,,,,,,,,,,,,,,,,,,,,  
 4,1,,172478-68700,, "CABIN ASSY",1,,1,,,,,,,,,,,,,,,,,,,,,  
 5,2,,172478-68710,, "CABIN ASSY (GRAY:72)",1,,1,,,,,724780197,,,,,724780197,,,,,  
 6,2,,172478-68740,, WASHER,1,,1,,,,,,,,,,,,,,,,,,,,,  
 7,3,,172455-67280,, GROMMET,1,,1,,,,,,,,,,,,,,,,,,,,,  
 8,3,,172455-67290,, SCREW,2,,2,,,,,,,,,,,,,,,,,,,,,  
 9,1,,172455-68820,, "SPONGE SEAL",1,,1,,,,,,,,,,,,,,,,,,,,,  
 10,1,,172455-68840,, "RUBBER, SASH",2,,2,,,,,,,,,,,,,,,,,,,,,  
 11,1,,172478-68850,, "ABSOBER PAD A",1,,1,,,,,,,,,,,,,,,,,,,,,  
 12,1,,172478-68860,, "ABSOBER PAD B",1,,1,,,,,,,,,,,,,,,,,,,,,  
 13,1,,172478-68870,, "GROMMET 18X24X40",9,,9,,,,,,,,,,,,,,,,,,,,,  
 14,1,,172478-68880,, "COLLAR 12X18X21",9,,9,,,,,,,,,,,,,,,,,,,,,  
 15,1,,172478-68890,, "WASHER 12X40X4.5",9,,9,,,,,,,,,,,,,,,,,,,,,  
 16,1,,172478-68900,, ASHTRAY,1,,1,,,,,,,,,,,,,,,,,,,,,  
 17,1,,172478-68930,, "SEAL 10X12X250",1,,1,,,,,,,,,,,,,,,,,,,,,  
 18,1,,172478-68940,, "SEAL 12X10X1200",1,,1,,,,,,,,,,,,,,,,,,,,,  
 19,1,,172478-68950,, "COVER,CABN (GRAY:72)",1,,1,,,,,,,,,,,,,,,,,,,,,  
 21,2,,172478-68970,, "SEAL 10X12X166",1,,1,,,,,,,,,,,,,,,,,,,,,  
 22,1,,172478-68980,, "ABSOBER PAD C",1,,1,,,,,,,,,,,,,,,,,,,,,  
 23,1,,22217-120000,, "SPRING WASHER 12",9,,9,,,,,,,,,,,,,,,,,,,,,  
 24,1,,22867-400100,, "SCREW 4X10",2,,2,,,,,,,,,,,,,,,,,,,,,  
 25,1,,26076-120452,, "BOLT M12X 45 PLATED",9,,9,,,,,,,,,,,,,,,,,,,,,  
 26,1,,172478-68600,, "DAM SEAL  
 1000",1,,1,,, ,W,1,724780192,M/#XXX,,, ,724780192,M/#XXX,,,,,,I  
 27,1,,172478-68610,, "DAM SEAL  
 2000",1,,1,,, ,W,1,724780192,M/#XXX,,, ,724780192,M/#XXX,,,,,,I  
 28,1,,172478-68620,, "DAM SEAL  
 3000",1,,1,,, ,W,1,724780192,M/#XXX,,, ,724780192,M/#XXX,,,,,,I





REFER TO Fig. 61



キャビンASSY (CABIN ASSY)  
 172478-68700

項目NO. 60の見出しNO. 4は 8..  
 項目NO. 60の見出しNO. 5から9と  
 項目NO. 61の見出しNO. 1と  
 項目NO. 62の見出しNO. 1と  
 項目NO. 63の見出しNO. 1と  
 項目NO. 64の見出しNO. 1と  
 項目NO. 65の見出しNO. 1と  
 項目NO. 66の見出しNO. 1を含みます

Fig. 60 REF. NO. 4

- INC. Fig. 60 REF. NO. 5~9
- INC. Fig. 61 REF. NO. 1 8..
- INC. Fig. 62 REF. NO. 1
- INC. Fig. 63 REF. NO. 1
- INC. Fig. 64 REF. NO. 1
- INC. Fig. 65 REF. NO. 1
- INC. Fig. 66 REF. NO. 1

∴印が今回変更(追記)した個所です。  
 ∴MARKED PART HAS BEEN CHANGED (ADDED).

1,2,,172478-68720,, "EXTERIOR GP",1,,1,,,,,724780197,,,,724780197,,,,,  
2,3,,172445-66541,,HAMMER,1,,1,,,,,  
3,3,,172455-67110,,SEAL,1,,1,,,,,  
4,3,,172455-67120,, "DOOR CATCH ASSY",1,,1,,,,,  
5,3,,172455-67130,, "SET BOLT",4,,4,,,,,  
6,3,,172455-67140,, "STOPPER RUBBER",1,,1,,,,,  
7,3,,172455-67160,,NUT,1,,1,,,,,  
8,3,,172478-67170,, "COVER,DOOR CATCH",1,,1,,,,,  
9,3,,172455-67210,, "WIRE ASSY RELEASE",1,,1,,,,,  
10,3,,172478-67210,, "COVER,DUCT",1,,1,,,Z,,72478008,\*2002.10,,,,,  
11,3,,172455-67220,, "GROMMET W/W",1,,1,,,,,  
12,3,,172455-67230,, "LEVER CATCH DOOR",1,,1,,,,,  
13,3,,172455-67240,,SPRING,1,,1,,,,,  
14,3,,172455-67250,,WASHER,2,,2,,,,,  
15,3,,172455-67260,,WASHER,1,,1,,,,,  
16,3,,172455-67300,, "GLASS RUN",1,,1,,,,,  
17,3,,172455-67310,, "GLASS RUN",2,,2,,,,,  
18,3,,172455-67320,,CAP;CHANNEL,2,,2,,,,,  
19,3,,172455-67330,, "PLATE ASSY LOW GLASS",2,,2,,,,,  
20,3,,172455-67340,, "HOLDER GLASS UP",2,,2,,,,,  
21,3,,172455-67350,,SCREW(TORX),4,,4,,,,,  
22,3,,172455-67360,,SCREW(TORX),2,,2,,,,,  
23,3,,172455-67370,, "STRIP WEATHER",1,,1,,,,,  
24,3,,172455-67380,, "GUARD ASSY",1,,1,,,,,  
25,3,,172455-67390,,BOLT,4,,4,,,,,  
26,3,,172455-67400,,STRIKER,1,,1,,,,,  
27,3,,172455-67430,, "SET SCREW",6,,6,,,Z,,72478008,\*2002.10,,,,,  
28,3,,172455-67440,, "XMAS TREE CLIP",4,,4,,,,,  
29,3,,172455-67460,, "RUBBER PLATE",1,,1,,,,,  
30,3,,172463-68810,, "COVER ASSY,LEVER",1,,1,,,,,  
31,3,,172463-68820,,PIPE,1,,1,,,,,  
32,3,,172463-68830,, "WASHER 8.5X18",2,,2,,,,,  
33,3,,172455-69440,,BOLT,3,,3,,,,,  
34,3,,172455-69440,,BOLT,3,,3,,,,,  
35,3,,172455-69520,,SCREW,2,,2,,,,,  
36,3,,22137-100000,, "WASHER 10,POLISHED",1,,1,,,,,  
37,3,,22137-100000,, "WASHER 10,POLISHED",4,,4,,,,,  
38,3,,22857-200061,, "SCREW 2.0\* 6",1,,1,,,,,  
39,3,,22857-300061,, "SCREW M3X6,TAPPING",2,,2,,,,,  
40,3,,26366-080002,, "NUT M 8",1,,1,,,,,  
43,1,,172478-67211,, "COVER, DUCT",1,,1,,,W,,72978008,\*2002.10,,,,,  
44,3,,172444-17660,,CLIP,1,,1,,,W,,72478008,\*2002.10,,,,,  
45,3,,172137-69850,,SCREW,4,,4,,,W,,72478008,\*2002.10,,,,,

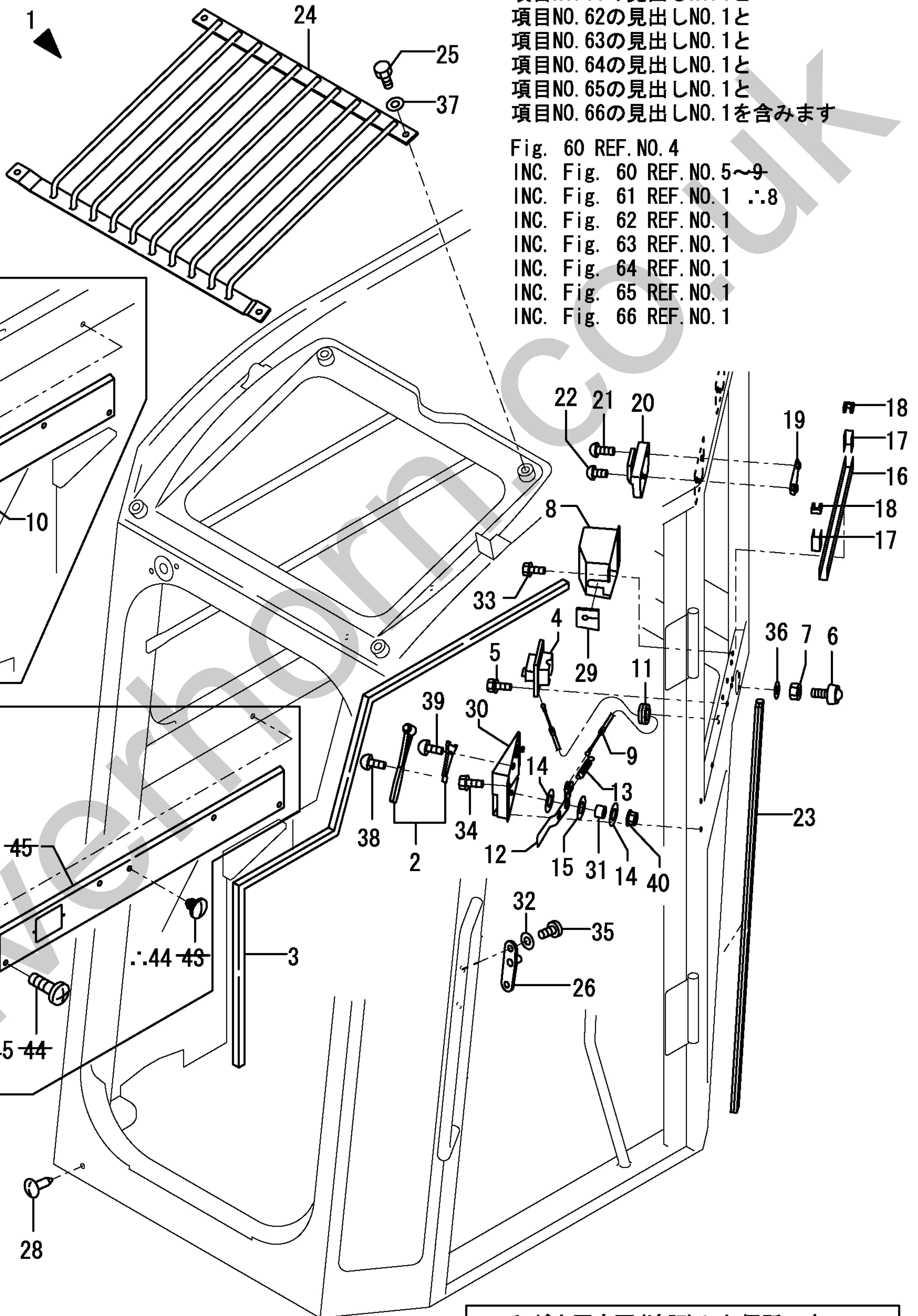
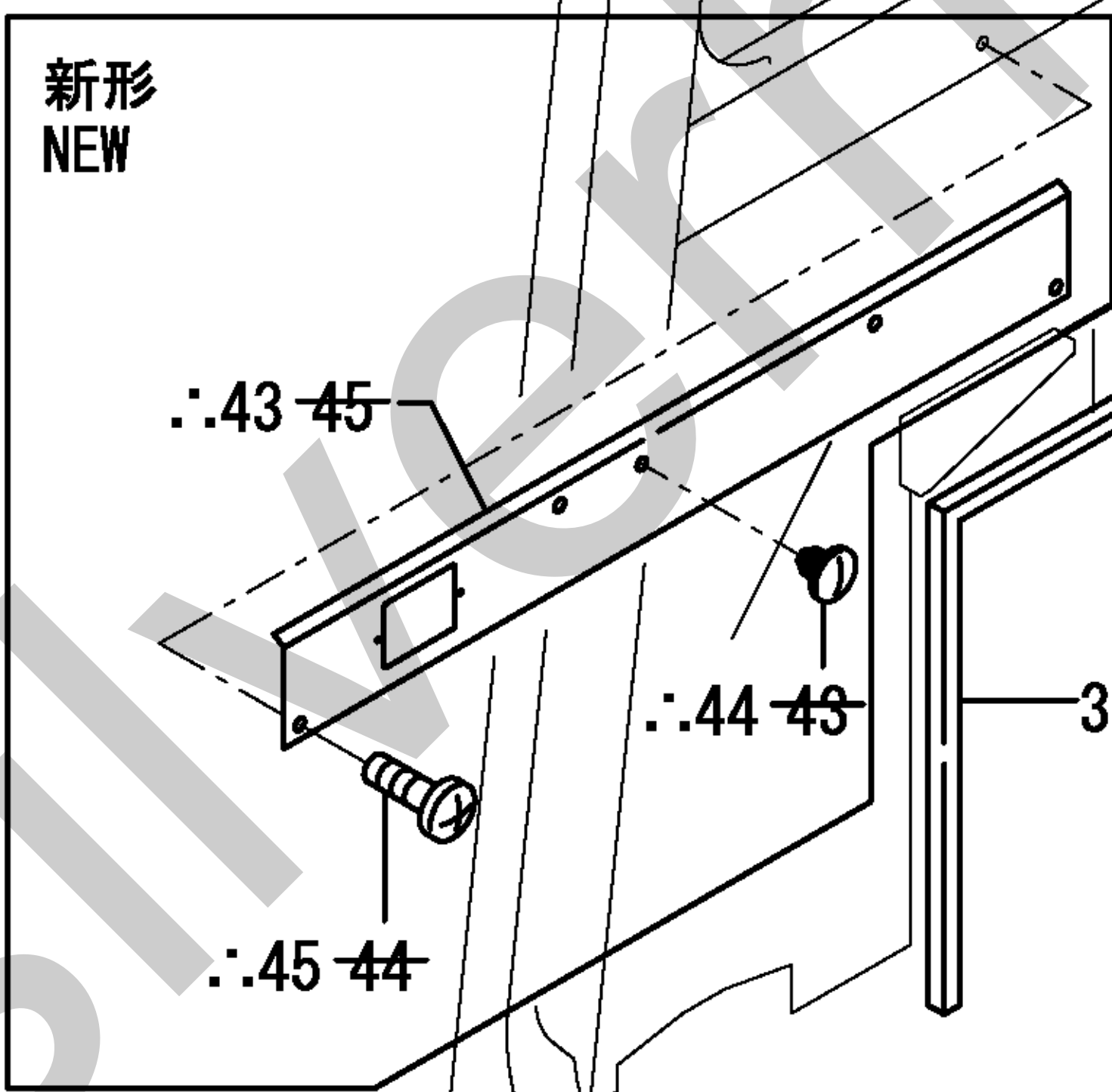
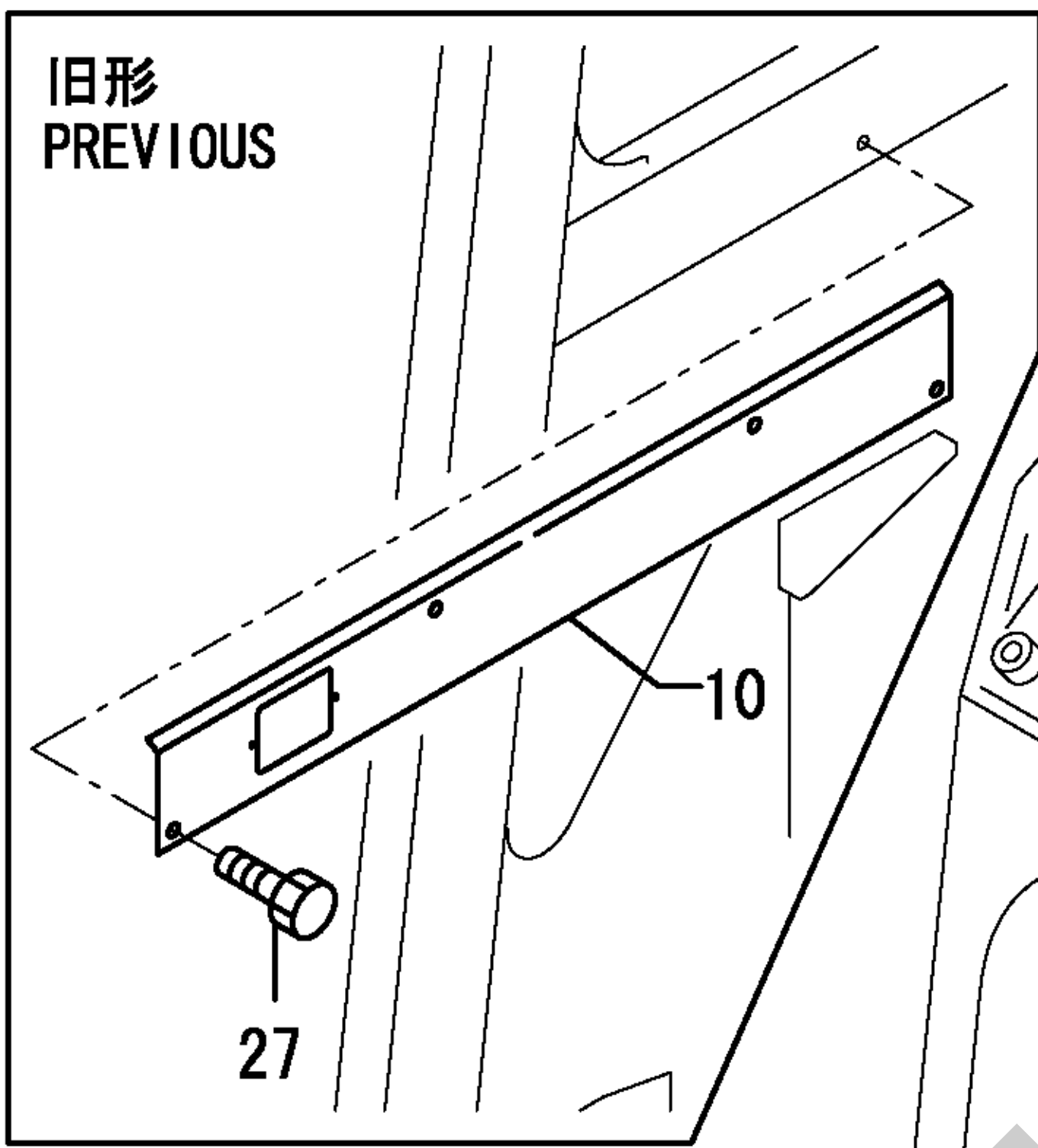
見出しNO. 1は  
 見出しNO. 2から44を含みます

1 INC. 2~44

キャビンASSY (CABIN ASSY)  
 172478-68700

項目NO. 60の見出しNO. 4は .:8  
 項目NO. 60の見出しNO. 5から9と  
 項目NO. 61の見出しNO. 1と  
 項目NO. 62の見出しNO. 1と  
 項目NO. 63の見出しNO. 1と  
 項目NO. 64の見出しNO. 1と  
 項目NO. 65の見出しNO. 1と  
 項目NO. 66の見出しNO. 1を含みます

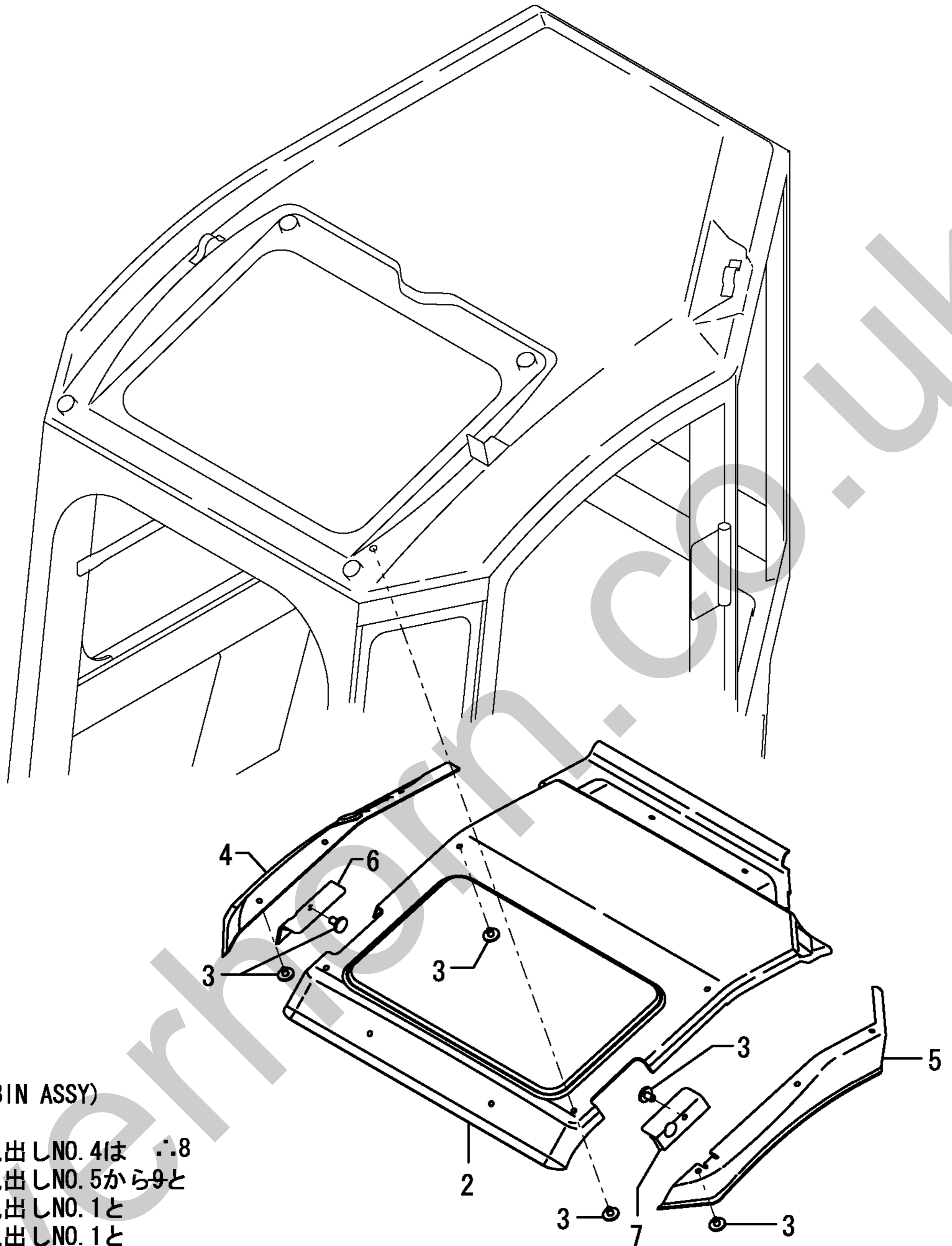
Fig. 60 REF. NO. 4  
 INC. Fig. 60 REF. NO. 5~9  
 INC. Fig. 61 REF. NO. 1 .:8  
 INC. Fig. 62 REF. NO. 1  
 INC. Fig. 63 REF. NO. 1  
 INC. Fig. 64 REF. NO. 1  
 INC. Fig. 65 REF. NO. 1  
 INC. Fig. 66 REF. NO. 1



.:印が今回変更(追記)した個所です。  
 .:MARKED PART HAS BEEN CHANGED (ADDED).

1,2,,172455-68731,, "PAD, ROOF GP",1,,1,,,,,,,,,,,,,  
2,3,,172455-67511,, "PAD, ROOF CTR",1,,1,,,,,,,,,,,,,  
3,3,,172455-67550,, FASTENER,17,,17,,,,,,,,,,,,,  
4,3,,172463-68920,, "PAD ROOF,RH",1,,1,,,,,,,,,,,,,  
5,3,,172463-68930,, "PAD ROOF,LH",1,,1,,,,,,,,,,,,,  
6,3,,172463-68940,, "PAD ROOF,RH-CTR",1,,1,,,,,,,,,,,,,  
7,3,,172463-68950,, "PAD ROOF,LH-CTR",1,,1,,,,,,,,,,,,,

Silverhorn.CO.UK



キャビンASSY (CABIN ASSY)  
 172478-68700

項目NO. 60の見出しNO. 4は ∴8  
 項目NO. 60の見出しNO. 5から9と  
 項目NO. 61の見出しNO. 1と  
 項目NO. 62の見出しNO. 1と  
 項目NO. 63の見出しNO. 1と  
 項目NO. 64の見出しNO. 1と  
 項目NO. 65の見出しNO. 1と  
 項目NO. 66の見出しNO. 1を含みます

Fig. 60 REF. NO. 4

- INC. Fig. 60 REF. NO. 5~9
- INC. Fig. 61 REF. NO. 1 ∴8
- INC. Fig. 62 REF. NO. 1
- INC. Fig. 63 REF. NO. 1
- INC. Fig. 64 REF. NO. 1
- INC. Fig. 65 REF. NO. 1
- INC. Fig. 66 REF. NO. 1

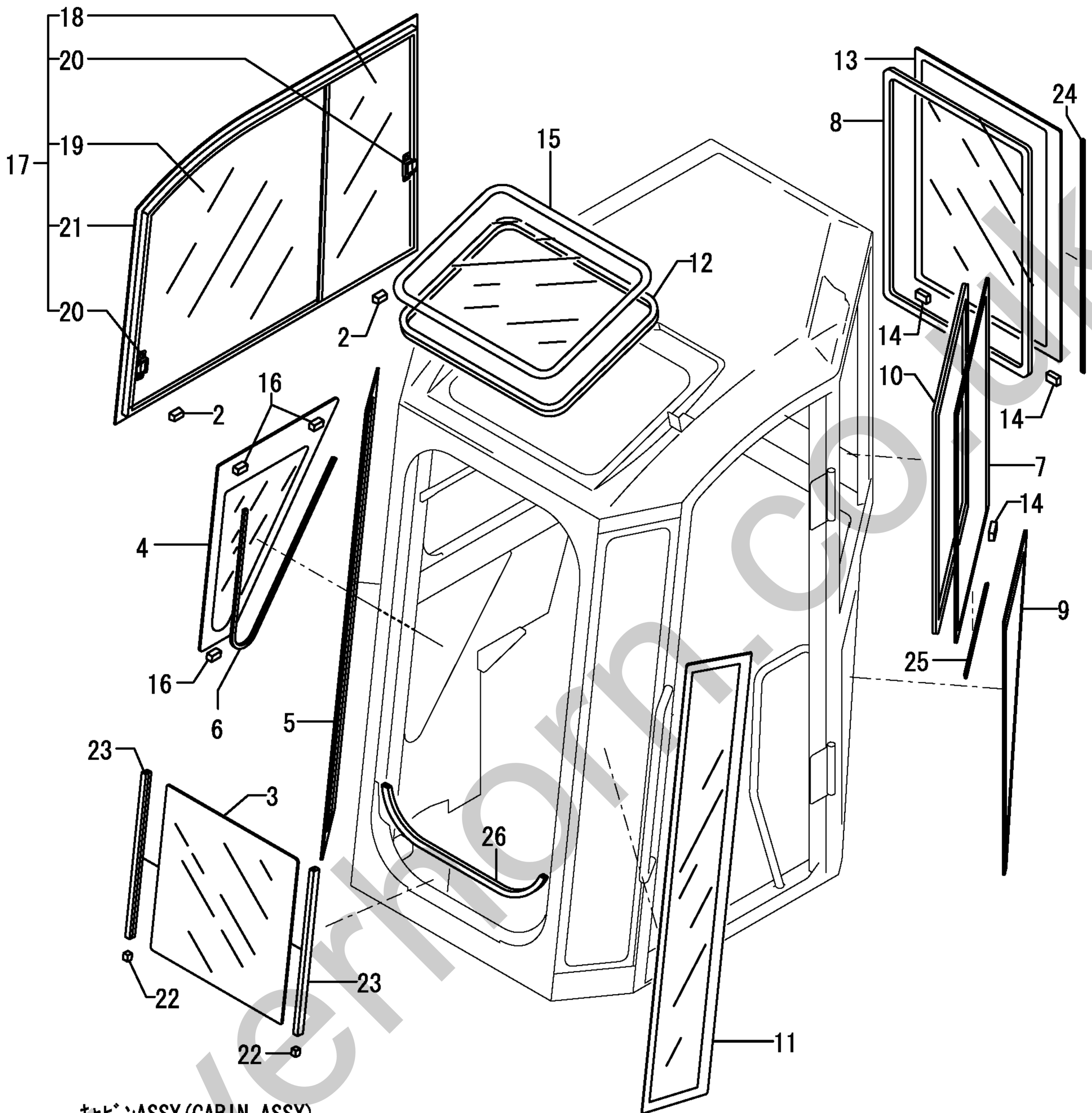
見出しNO. 1は  
 見出しNO. 2から7を含みます  
 1 INC. 2~7

∴印が今回変更(追記)した個所です。  
 ∴.MARKED PART HAS BEEN CHANGED (ADDED).



1,2,,172455-68740,, "WINDOW GP",1,,1,,,,,724780197,,,,724780197,,,,,  
2,3,,172455-67610,, SPACER,2,,2,,,,,  
3,3,,172455-67620,, "GLASS(F) LOW",1,,1,,,,,  
4,3,,172478-67630,, "GLASS LOW-RH",1,,1,,,,,  
5,3,,172455-67640,, "GLASS(RH) FRONT",1,,1,,,,,  
6,3,,172478-67640,, FINISHER,1,,1,,,,,  
7,3,,172455-67650,, "GLASS (LH) UPPER",1,,1,,,,,  
8,3,,172478-67650,, "DAM L500",1,,1,,,,,  
9,3,,172455-67660,, "GLASS (LH) LOWER",1,,1,,,,,  
10,3,,172478-67660,, "DAM L500",1,,1,,,,,  
11,3,,172455-67670,, "GLASS(LH) FRONT",1,,1,,,,,  
12,3,,172478-67670,, "DAM L1768",1,,1,,,,,  
13,3,,172455-67680,, "GLASS, REAR",1,,1,,,,,  
14,3,,172478-67680,, "SPACER B",5,,5,,,,,  
15,3,,172455-67690,, "COVER ROOF",1,,1,,,,,  
16,3,,172478-67690,, "SPACER C",21,,21,,,,,  
17,3,,172455-67700,, "SASH ASSY SIDE RH",1,,1,,,,,  
18,4,,172455-67750,, "SASH GLASS, REAR",1,,1,,,,,  
19,4,,172455-67760,, "SASH GLASS, FRONT",1,,1,,,,,  
20,4,,172455-67770,, "LOCK ASSY, SASH",2,,2,,,,,  
21,4,,172455-67780,, "FRAME, SASH",1,,1,,,,,  
22,3,,172455-67710,, "STOPPER RUBBER",2,,2,,,,,  
23,3,,172455-67730,, "RUN, GLASS",2,,2,,,,,  
24,3,,172455-67800,, "MLDG S.WINDOW",1,,1,,,,,  
25,3,,172455-67810,, "MLDG S.WINDOW",1,,1,,,,,  
26,3,,172455-67820,, SEAL,1,,1,,,,,

Silverhorn.CO.UK



キャビンASSY (CABIN ASSY)

172478-68700

項目NO. 60の見出しNO. 4は ∴.8

項目NO. 60の見出しNO. 5から9と

項目NO. 61の見出しNO. 1と

項目NO. 62の見出しNO. 1と

項目NO. 63の見出しNO. 1と

項目NO. 64の見出しNO. 1と

項目NO. 65の見出しNO. 1と

項目NO. 66の見出しNO. 1を含みます

Fig. 60 REF. NO. 4

INC. Fig. 60 REF. NO. 5~9

INC. Fig. 61 REF. NO. 1 ∴.8

INC. Fig. 62 REF. NO. 1

INC. Fig. 63 REF. NO. 1

INC. Fig. 64 REF. NO. 1

INC. Fig. 65 REF. NO. 1

INC. Fig. 66 REF. NO. 1

1

見出しNO. 1は  
見出しNO. 2から26を含みます

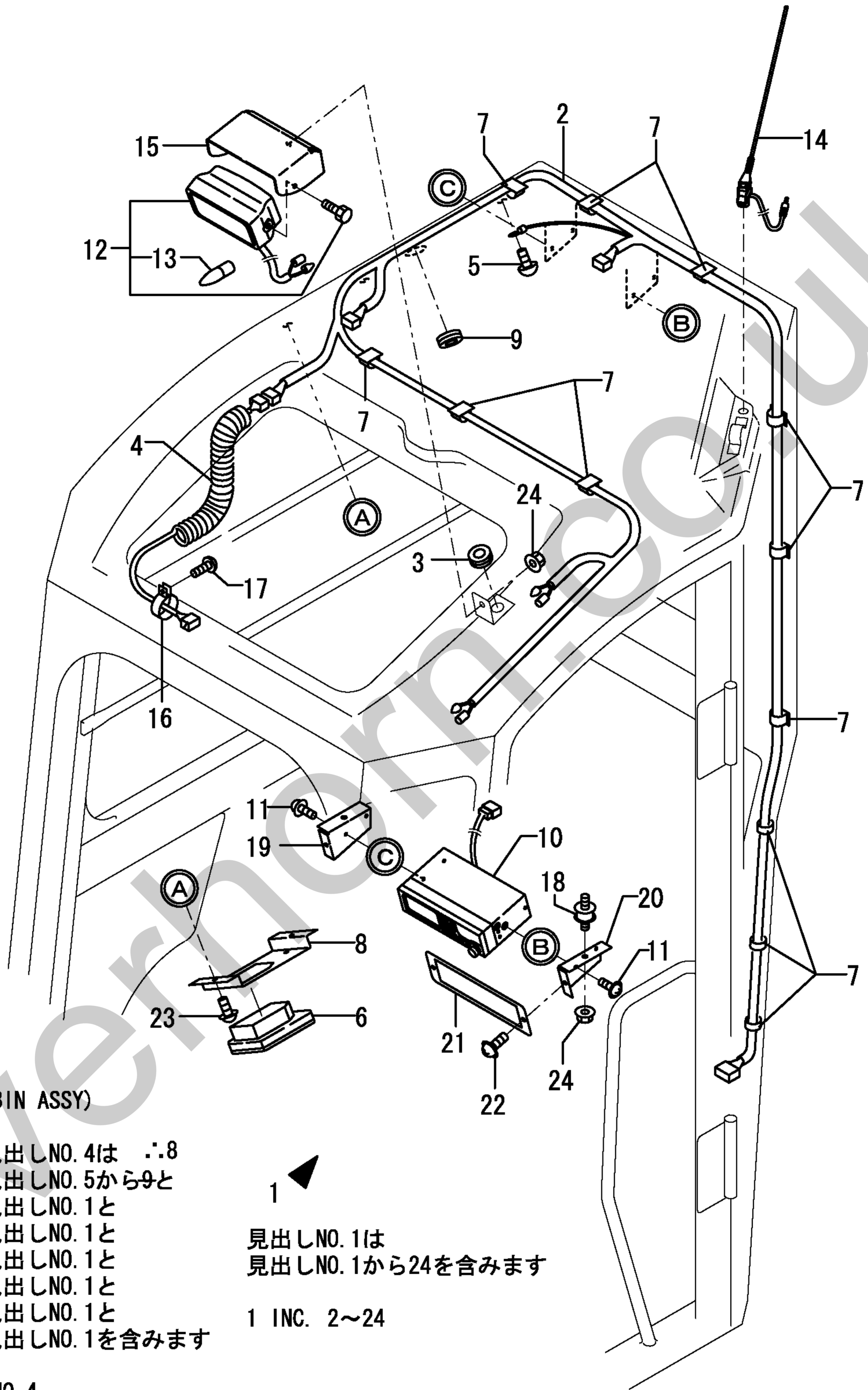
1 INC. 2~26

∴印が今回変更(追記)した個所です。

∴.MARKED PART HAS BEEN CHANGED (ADDED).

1,2,,172455-68750,,"ELECTRIC GP",1,,1,,,,,724780197,,,,,724780197,,,,,  
2,3,,172455-67860,,HARNESS,1,,1,,,,,  
3,3,,172455-67870,,GROMMET,1,,1,,,,,  
4,3,,172455-67880,,HARNESS-CURL,1,,1,,,,,  
5,3,,172455-67890,,SCREW,1,,1,,,,,  
6,3,,172455-67900,,,"ROOM LAMP",1,,1,,,,,  
7,3,,172455-67910,,,"CLAMP HARNESS",15,,15,,,,,  
8,3,,172455-67920,,,"BRKT ROOM LAMP",1,,1,,,,,  
9,3,,172455-67940,,BUSH,1,,1,,,,,  
10,3,,172455-67950,,RADIO,1,,1,,,,,  
11,3,,172455-67960,,,"SET SCREW",4,,4,,,,,  
12,3,,172455-67970,,,"WORKING LAMP",1,,1,,,,,  
13,4,,172458-17420,,,"BULB,12V 55W",1,,1,,,W,,72458477,M/#20501,,,,,  
14,3,,172455-67990,,ANT-ASSY,1,,1,,,,,  
15,3,,172455-69010,,,"COVER-CAB LIGHT  
(72)",1,,1,,,,,724780197,,,,,724780197,,,,,  
16,3,,172455-69020,,CLIP,1,,1,,,,,  
17,3,,172455-69030,,SCREW,1,,1,,,,,  
18,3,,172455-69040,,,"MOUNT RUBBER",2,,2,,,,,  
19,3,,172455-69050,,,"BRKT RADIO LH",1,,1,,,,,  
20,3,,172455-69060,,,"BRKT RADIO RH",1,,1,,,,,  
21,3,,172455-69070,,PLATE;RADIO,1,,1,,,,,  
22,3,,172455-69080,,SET-SCREW,2,,2,,,,,  
23,3,,26023-060162,,,"SCREW M 6X 16",2,,2,,,,,  
24,3,,26366-080002,,,"NUT M 8",3,,3,,,,,

Silverhorn.CO.UK



キャビンASSY (CABIN ASSY)  
 172478-68700  
 項目NO. 60の見出しNO. 4は 1.8  
 項目NO. 60の見出しNO. 5から9と  
 項目NO. 61の見出しNO. 1と  
 項目NO. 62の見出しNO. 1と  
 項目NO. 63の見出しNO. 1と  
 項目NO. 64の見出しNO. 1と  
 項目NO. 65の見出しNO. 1と  
 項目NO. 66の見出しNO. 1を含みます

1 ▲  
 見出しNO. 1は  
 見出しNO. 1から24を含みます

1 INC. 2~24

- Fig. 60 REF. NO. 4
- INC. Fig. 60 REF. NO. 5~9
- INC. Fig. 61 REF. NO. 1 1.8
- INC. Fig. 62 REF. NO. 1
- INC. Fig. 63 REF. NO. 1
- INC. Fig. 64 REF. NO. 1
- INC. Fig. 65 REF. NO. 1
- INC. Fig. 66 REF. NO. 1

∴印が今回変更(追記)した個所です。  
 ∴MARKED PART HAS BEEN CHANGED (ADDED).

1,2,,172455-68760,, "DOOR GP",1,,1,,,,,,,,,,,,,,,,,,,,,  
2,3,,172164-66170,, "KEY ASSY, CYLINDER",1,1,,,,,,,,,,,,,,,,,,,,,  
7,3,,172455-69110,, "DOOR ASSY",1,,1,,,,,,,,,,,,,,,,,,,,,  
8,3,,172455-69120,, "GLASS, DOOR (L)",1,,1,,,,,,,,,,,,,,,,,,,,,  
9,3,,172455-69130,, "GLASS, DOOR (U)",1,,1,,,,,,,,,,,,,,,,,,,,,  
10,3,,172455-69140,, NUT,4,,4,,,,,,,,,,,,,,,,,,,,,  
11,3,,172455-69150,, SEAL-RUBBER,1,,1,,,,,,,,,,,,,,,,,,,,,  
12,3,,172455-69160,, HOOK,1,,1,,,,,,,,,,,,,,,,,,,,,  
13,3,,172455-69170,, "COVER-DOOR IN",1,,1,,,,,,,,,,,,,,,,,,,,,  
14,3,,172455-69200,, TUBE,4,,4,,,,,,,,,,,,,,,,,,,,,  
15,3,,172455-69220,, DAM,1,,1,,,,,,,,,,,,,,,,,,,,,  
16,3,,172455-69250,, PIPE,4,,4,,,,,,,,,,,,,,,,,,,,,  
17,3,,172455-69260,, "MLDG S.WINDOW",1,,1,,,,,,,,,,,,,,,,,,,,,  
18,3,,172455-69270,, P/WASHER,2,,2,,,,,,,,,,,,,,,,,,,,,  
19,3,,172455-69290,, PACKING,4,,4,,,,,,,,,,,,,,,,,,,,,  
20,3,,172455-69300,, SCREW,3,,3,,,,,,,,,,,,,,,,,,,,,  
21,3,,172445-69400,, ROD,1,,1,,,,,,,,,,,,,,,,,,,,,  
22,3,,172162-69470,, "LOCK PLATE",1,,1,,,,,,,,,,,,,,,,,,,,,  
23,3,,172162-69480,, "LOCK ASSY",1,,1,,,,,,,,,,,,,,,,,,,,,  
24,3,,172162-69490,, PIN,1,,1,,,,,,,,,,,,,,,,,,,,,  
25,3,,172162-69500,, SPRING,1,,1,,,,,,,,,,,,,,,,,,,,,  
26,3,,172162-69510,, "HANDLE ASSY",1,,1,,,,,,,,,,,,,,,,,,,,,  
27,3,,172162-69520,, COVER,1,,1,,,,,,,,,,,,,,,,,,,,,  
28,3,,172162-69541,, "HANDLE, OUTER",1,,1,,,,,,,,,,,,,,,,,,,,,  
29,3,,172455-69710,, NUT-SPRING,2,,2,,,,,,,,,,,,,,,,,,,,,  
30,3,,172176-69911,, PLATE,1,,1,,,,,,,,,,,,,,,,,,,,,  
31,3,,26013-060162,, "BOLT M 6X 16",3,,3,,,,,,,,,,,,,,,,,,,,,  
32,3,,26023-060122,, "SCREW M 6X 12",2,,2,,,,,,,,,,,,,,,,,,,,,  
33,3,,26023-060162,, "SCREW M 6X 16",4,,4,,,,,,,,,,,,,,,,,,,,,  
34,3,,26051-080002,, "NUT M 8",1,,1,,,,,,,,,,,,,,,,,,,,,  
35,3,,26116-080202,, "BOLT M 8X 20 PLATED",1,,1,,,,,,,,,,,,,,,,,,,,,  
36,3,,26716-100002,, "NUT 10",1,,1,,,,,,,,,,,,,,,,,,,,,  
37,3,,172455-69640,, "BOLT 5X12",1,,1,,,,,W,72455369,M/#20501,,,,,,,,,,,,,



キャビンASSY (CABIN ASSY)  
 172478-68700

項目NO. 60の見出しNO. 4は 1:8  
 項目NO. 60の見出しNO. 5から9と  
 項目NO. 61の見出しNO. 1と  
 項目NO. 62の見出しNO. 1と  
 項目NO. 63の見出しNO. 1と  
 項目NO. 64の見出しNO. 1と  
 項目NO. 65の見出しNO. 1と  
 項目NO. 66の見出しNO. 1を含みます

Fig. 60 REF. NO. 4

INC. Fig. 60 REF. NO. 5~9

INC. Fig. 61 REF. NO. 1 1:8

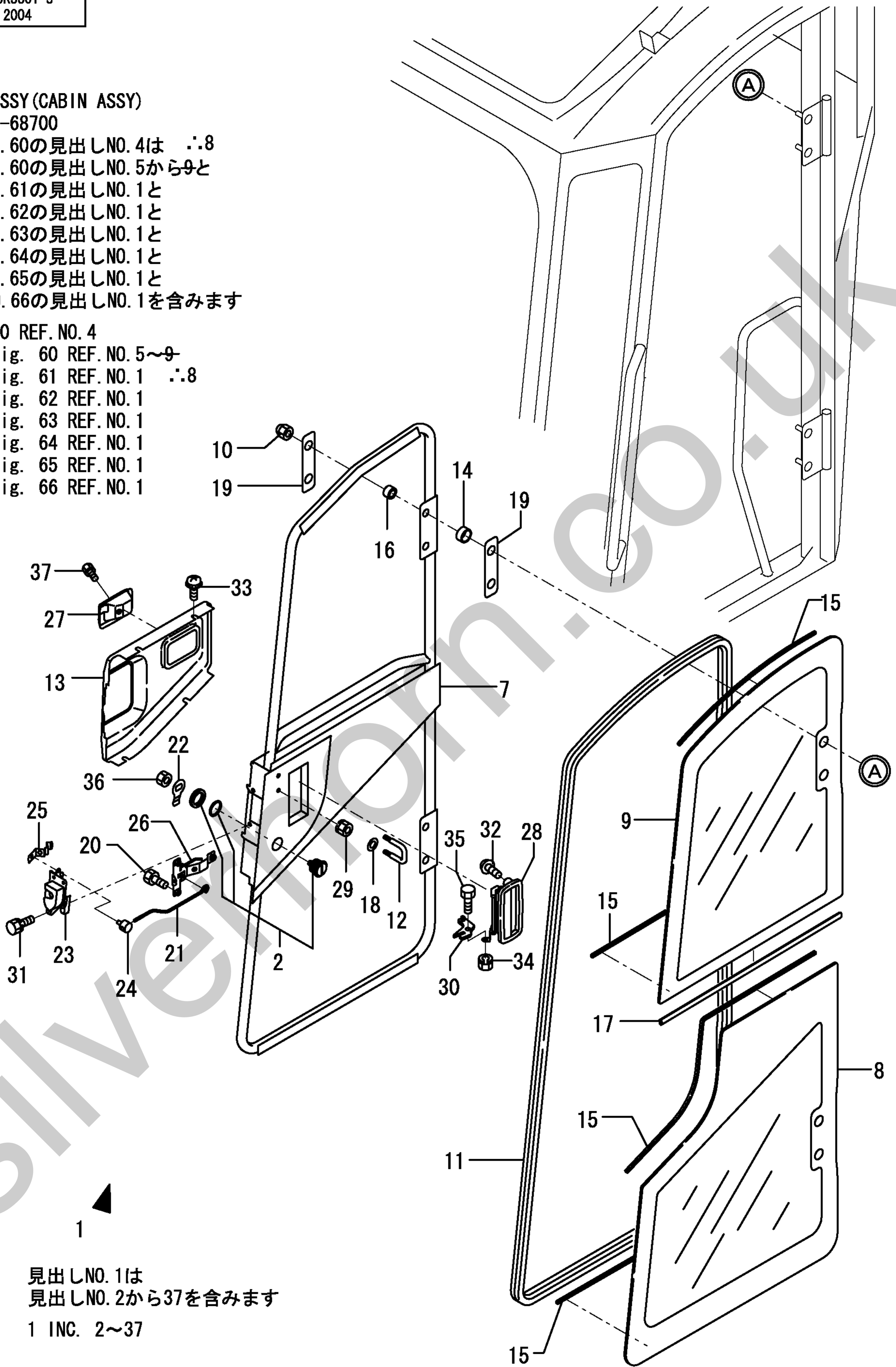
INC. Fig. 62 REF. NO. 1

INC. Fig. 63 REF. NO. 1

INC. Fig. 64 REF. NO. 1

INC. Fig. 65 REF. NO. 1

INC. Fig. 66 REF. NO. 1



見出しNO. 1は  
 見出しNO. 2から37を含みます  
 1 INC. 2~37

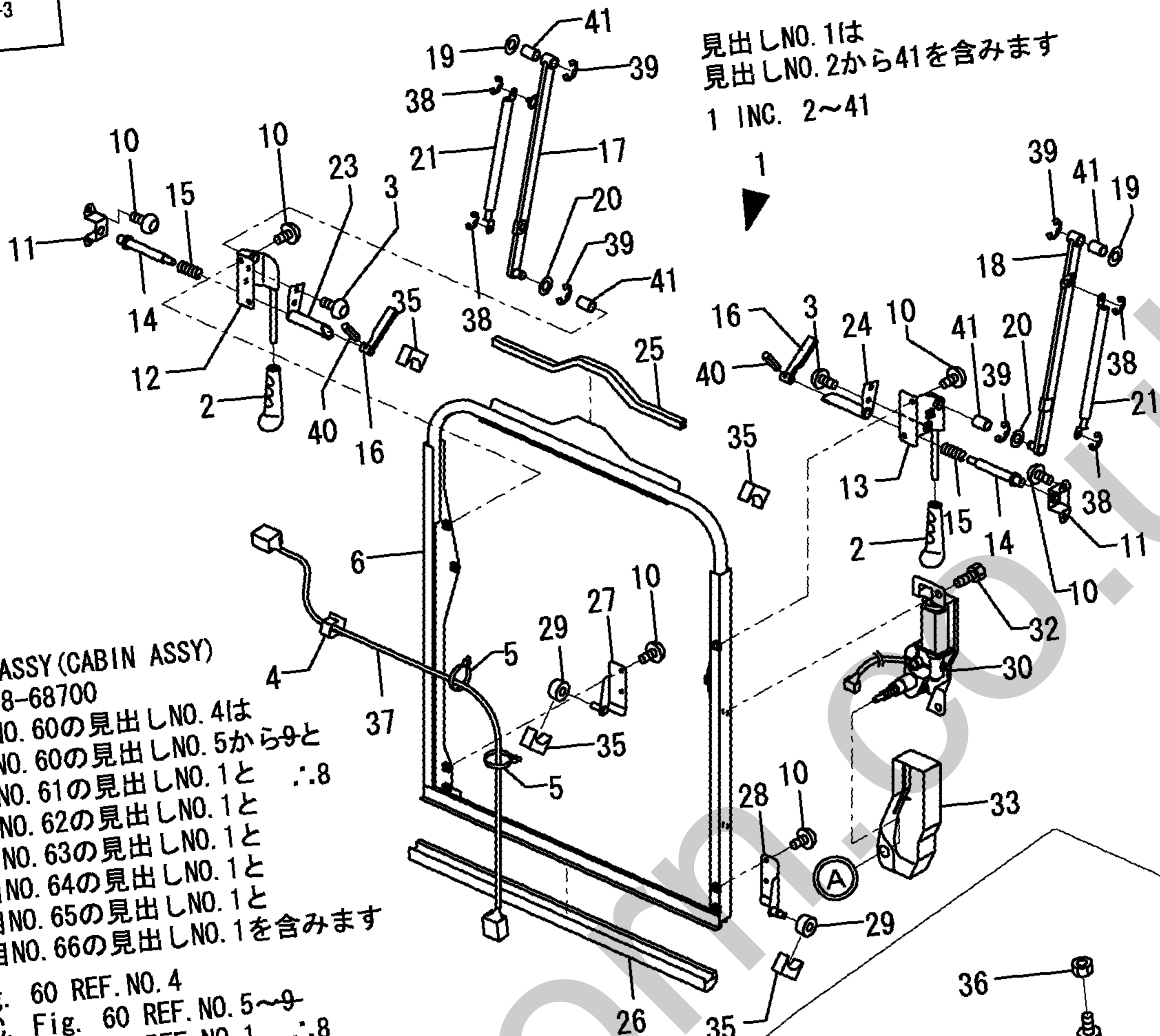
1:印が今回変更(追記)した個所です。  
 1: MARKED PART HAS BEEN CHANGED (ADDED).

1,2,,172463-68770,, "WINDOW ASSY, FRONT",1,1,,,,,,,,,,,,,  
 2,3,,172445-66750,,GRIP,2,,2,,,,,,,,,,,,,  
 3,3,,172455-67360,,SCREW(TORX),4,,4,,,,,,,,,,,,,  
 4,3,,172455-67910,, "CLAMP HARNESS",1,1,,,,,,,,,,,,,  
 5,3,,172455-69020,,CLIP,2,,2,,,,,,,,,,,,,  
 6,3,,172463-69110,, "FRONT WINDOW CMP",1,1,,,,,,,,,,,,,  
 7,3,,172463-69120,, "GLASS F/W",1,1,,,,,,,,,,,,,  
 8,3,,172463-69130,,DAM,1,,1,,,,,,,,,,,,,  
 9,3,,172463-69140,, "BLADE ASSY",1,1,,,,,,,,,,,,,  
 10,3,,172463-69150,,SCREW-TORX,12,,12,,,,,,,,,,,,,  
 11,3,,172463-69160,, "HOLDER ASSY,F/W",2,2,,,,,,,,,,,,,  
 12,3,,172463-69170,, "BRACKET ASSY,RH",1,1,,,,,,,,,,,,,  
 13,3,,172463-69180,, "BRACKET ASSY,LH",1,1,,,,,,,,,,,,,  
 14,3,,172463-69190,, "LATCH PIN",2,2,,,,,,,,,,,,,  
 15,3,,172463-69200,,SPRING,2,,2,,,,,,,,,,,,,  
 16,3,,172463-69210,, "LEVER ASSY,F/W",2,2,,,,,,,,,,,,,  
 17,3,,172463-69220,, "LINK ASSY,RH",1,1,,,,,,,,,,,,,  
 18,3,,172463-69230,, "LINK ASSY,LH",1,1,,,,,,,,,,,,,  
 19,3,,172463-69240,, "WASHER 12.5X26",2,2,,,,,,,,,,,,,  
 20,3,,172463-69250,, "WASHER 12.5X24",2,2,,,,,,,,,,,,,  
 21,3,,172463-69260,, "GAS SPRING",2,2,,,,,,,,,,,,,  
 22,3,,172463-69270,, "STOPPER,DOOR",1,1,,,,,,,,,,,,,  
 23,3,,172463-69280,, "LATCH ASSY,RH",1,1,,,,,,,,,,,,,  
 24,3,,172463-69290,, "LATCH ASSY,LH",1,1,,,,,,,,,,,,,  
 25,3,,172463-69300,,FINISHER,1,,1,,,,,,,,,,,,,  
 26,3,,172455-69340,, "SEAL RUBBER",1,1,,,,,,,,,,,,,  
 27,3,,172455-69350,, "FRAME STAY LOW.RH",1,1,,,,,,,,,,,,,  
 28,3,,172455-69360,, "FRAME STAY LOW.LH",1,1,,,,,,,,,,,,,  
 29,3,,172455-69370,, "ROLLER-F/W UPR",2,2,,,,,,,,,,,,,  
 30,3,,172455-69380,, "MOTOR ASSY WIPER",1,1,,,,,,,,,,,,,  
 31,3,,172455-69390,, "ARM, WIPER",1,1,,,,,,,,,,,,,  
 32,3,,172455-69410,, "SET SCREW",2,2,,,,,,,,,,,,,  
 33,3,,172455-69490,, "COVER WIPER-MOTOR",1,1,,,,,,,,,,,,,  
 34,3,,172455-69530,, "RUBBER, SEAL",1,1,,,,,,,,,,,,,  
 35,3,,172455-69540,, "STOPPER RUBBER",4,4,,,,,,,,,,,,,  
 36,3,,172455-69560,,NUT,1,,1,,,,,,,,,,,,,  
 37,3,,172455-69600,, "HARNESS F/W",1,1,,,,,,,,,,,,,  
 38,3,,22272-000060,, "CIRCLIP E- 6",4,4,,,,,,,,,,,,,  
 39,3,,22272-000080,, "CIRCLIP E- 8",4,4,,,,,,,,,,,,,  
 40,3,,22351-030012,, "SPRING PIN 3X12",2,2,,,,,,,,,,,,,  
 41,3,,24550-012200,, "BUSH 12X20",4,4,,,,,,,,,,,,,



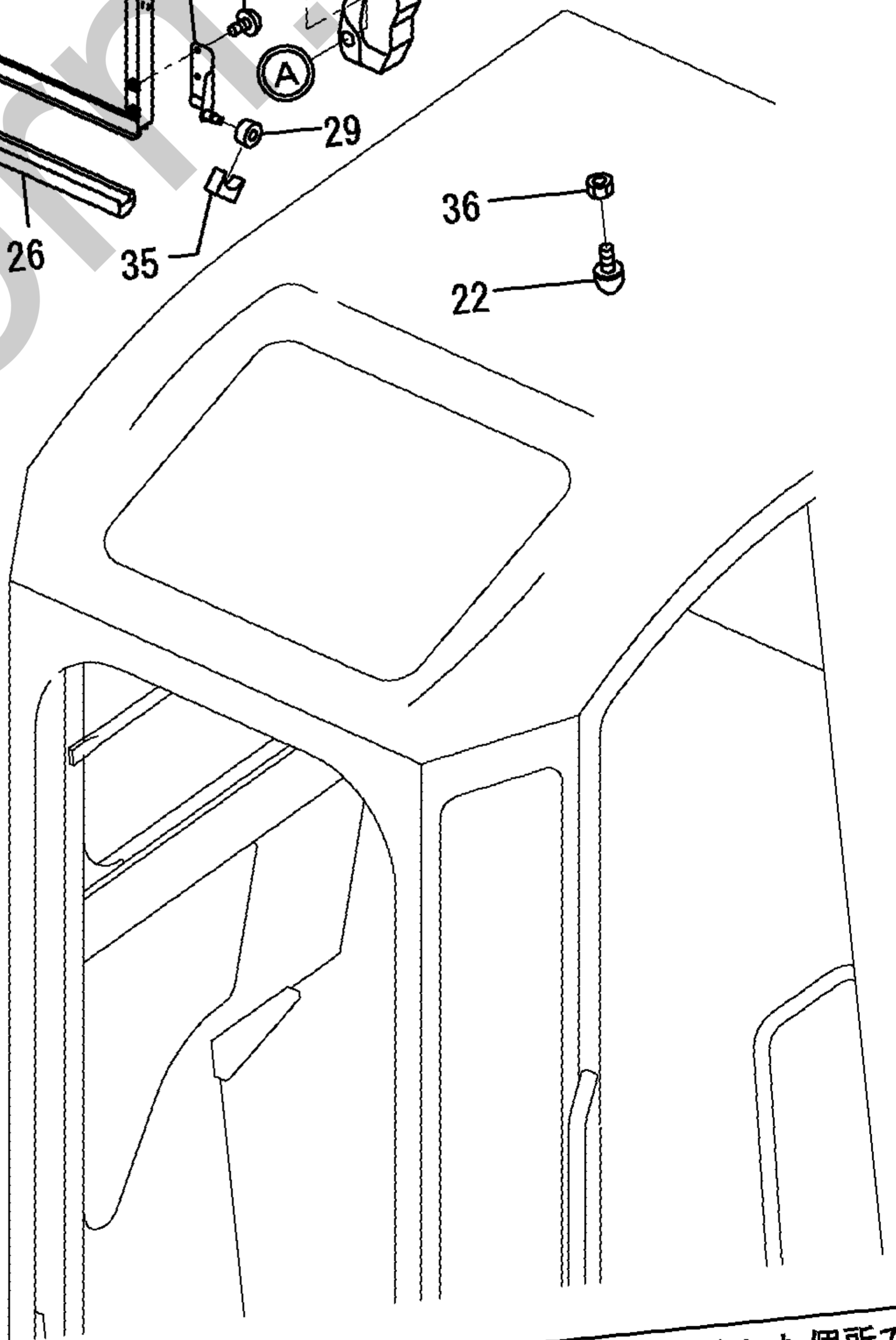
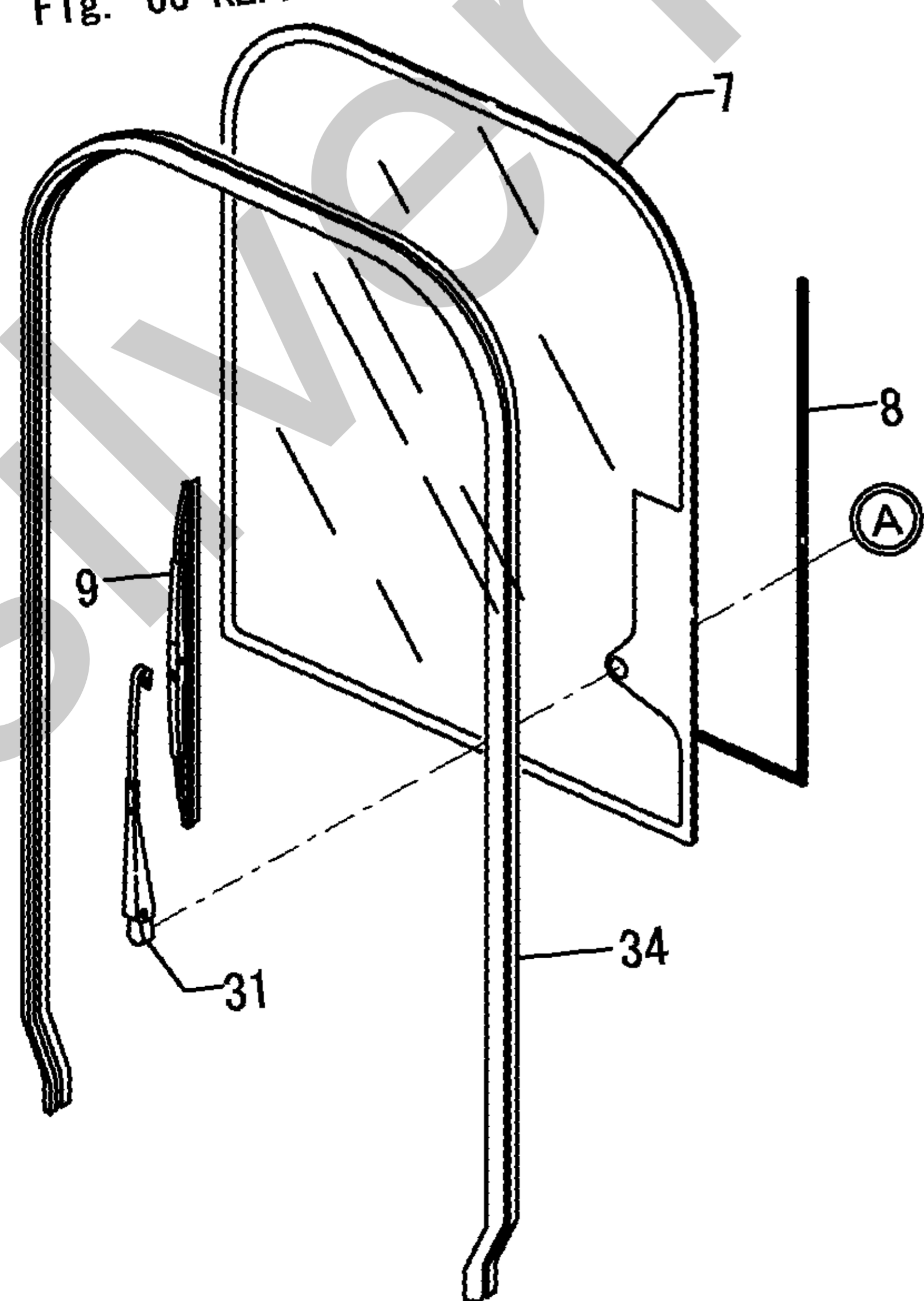


見出しNO. 1は  
 見出しNO. 2から41を含みます  
 1 INC. 2~41



キャビンASSY (CABIN ASSY)  
 172478-68700  
 項目NO. 60の見出しNO. 4は  
 項目NO. 60の見出しNO. 5から9と  
 項目NO. 61の見出しNO. 1と ∴:8  
 項目NO. 62の見出しNO. 1と  
 項目NO. 63の見出しNO. 1と  
 項目NO. 64の見出しNO. 1と  
 項目NO. 65の見出しNO. 1と  
 項目NO. 66の見出しNO. 1を含みます

Fig. 60 REF. NO. 4  
 INC. Fig. 60 REF. NO. 5~9  
 INC. Fig. 61 REF. NO. 1 ∴:8  
 INC. Fig. 62 REF. NO. 1  
 INC. Fig. 63 REF. NO. 1  
 INC. Fig. 64 REF. NO. 1  
 INC. Fig. 65 REF. NO. 1  
 INC. Fig. 66 REF. NO. 1

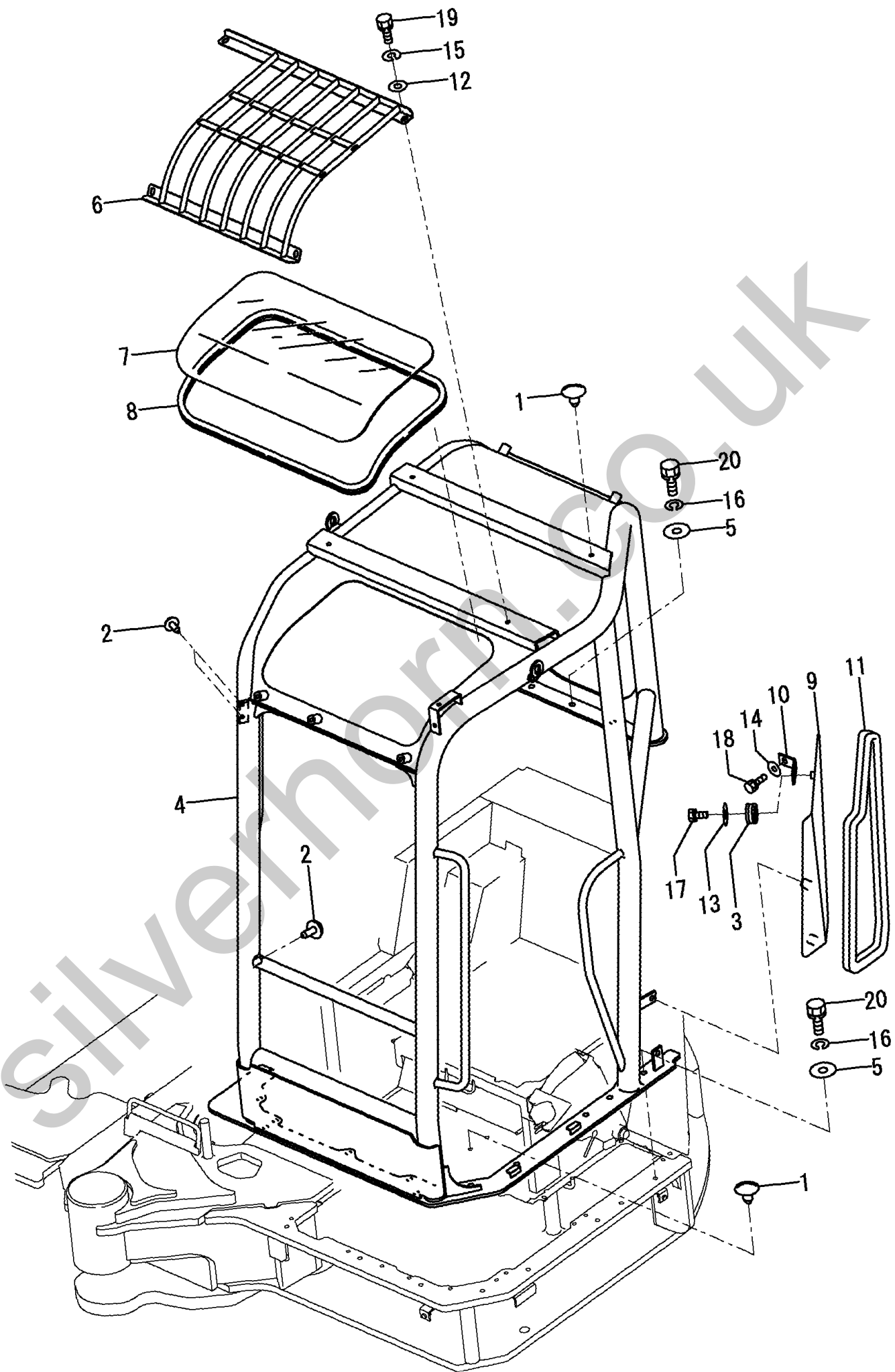


∴印が今回変更(追記)した個所です。  
 ∴:MARKED PART HAS BEEN CHANGED (ADD)



1,1,,172122-17190,,CLIP,,5,,,,,,,,,,,,,,,,,,,,,  
1-1,1,,172122-17190,,CLIP,,4,,,,,K,,,,,72478089,M/#20501,,,,,,,,,,,,,I  
2,1,,172444-17660,,CLIP,,3,,,,,,,,,,,,,,,,,,,,,  
3,1,,1A1380-58050,,,"GROMMET 16X20X4.5",,1,,,,,,,,,,,,,,,,,,,,,  
4,1,,172478-66300,,,"CANOPY ASSY(GRAY:72)",,1,,,,,,,,,,,,,,,,,,,,,  
5,1,,172149-66550,,WASHER,,13,,,,,,,,,,,,,,,,,,,,,  
6,1,,172478-66600,,,"GUARD 1,FOPS",,1,,,,,,,,,,,,,,,,,,,,,  
7,1,,172478-66650,,,"ACRYL,UPPER",,1,,,,,,,,,,,,,,,,,,,,,  
8,1,,172478-66660,,,"RUBBER 1910",,1,,,,,,,,,,,,,,,,,,,,,  
9,1,,172478-66700,,,"COVER,CANOPY",,1,,,,,,,,,,,,,,,,,,,,,  
10,1,,172455-68640,,STAY,,1,,,,,,,,,,,,,,,,,,,,,  
11,1,,172455-68690,,,"TRIM, COVER",,1,,,,,,,,,,,,,,,,,,,,,  
12,1,,22137-100000,,,"WASHER 10,POLISHED",,5,,,,,,,,,,,,,,,,,,,,,  
12-1,1,,22137-100000,,,"WASHER  
10,POLISHED",,4,,,,,K,,,,,72478089,M/#20501,,,,,,,,,,,,,I  
13,1,,22157-080000,,,"WASHER 8",,1,,,,,,,,,,,,,,,,,,,,,  
14,1,,22157-100000,,,"WASHER 10",,3,,,,,,,,,,,,,,,,,,,,,  
15,1,,22217-100000,,,"SPRING WASHER 10",,5,,,,,,,,,,,,,,,,,,,,,  
15-1,1,,22217-100000,,,"SPRING WASHER 10",,4,,,,,K,,,,,72478089,M/#20501,,,,,,,,,,,,,I  
16,1,,22217-120000,,,"SPRING WASHER 12",,13,,,,,,,,,,,,,,,,,,,,,  
17,1,,26013-080202,,,"BOLT W/WASHER M8X20",,1,,,,,,,,,,,,,,,,,,,,,  
18,1,,26013-100252,,,"BOLT W/WASHER M10X25",,3,,,,,,,,,,,,,,,,,,,,,  
19,1,,26076-100302,,,"BOLT 10.9 10X30",,5,,,,,,,,,,,,,,,,,,,,,  
19-1,1,,26076-100302,,,"BOLT 10.9 10X30",,4,,,,,K,,,,,72478089,M/#20501,,,,,,,,,,,,,I  
20,1,,26076-120402,,,"BOLT 10.9 12X 4",,13,,,,,,,,,,,,,,,,,,,,,

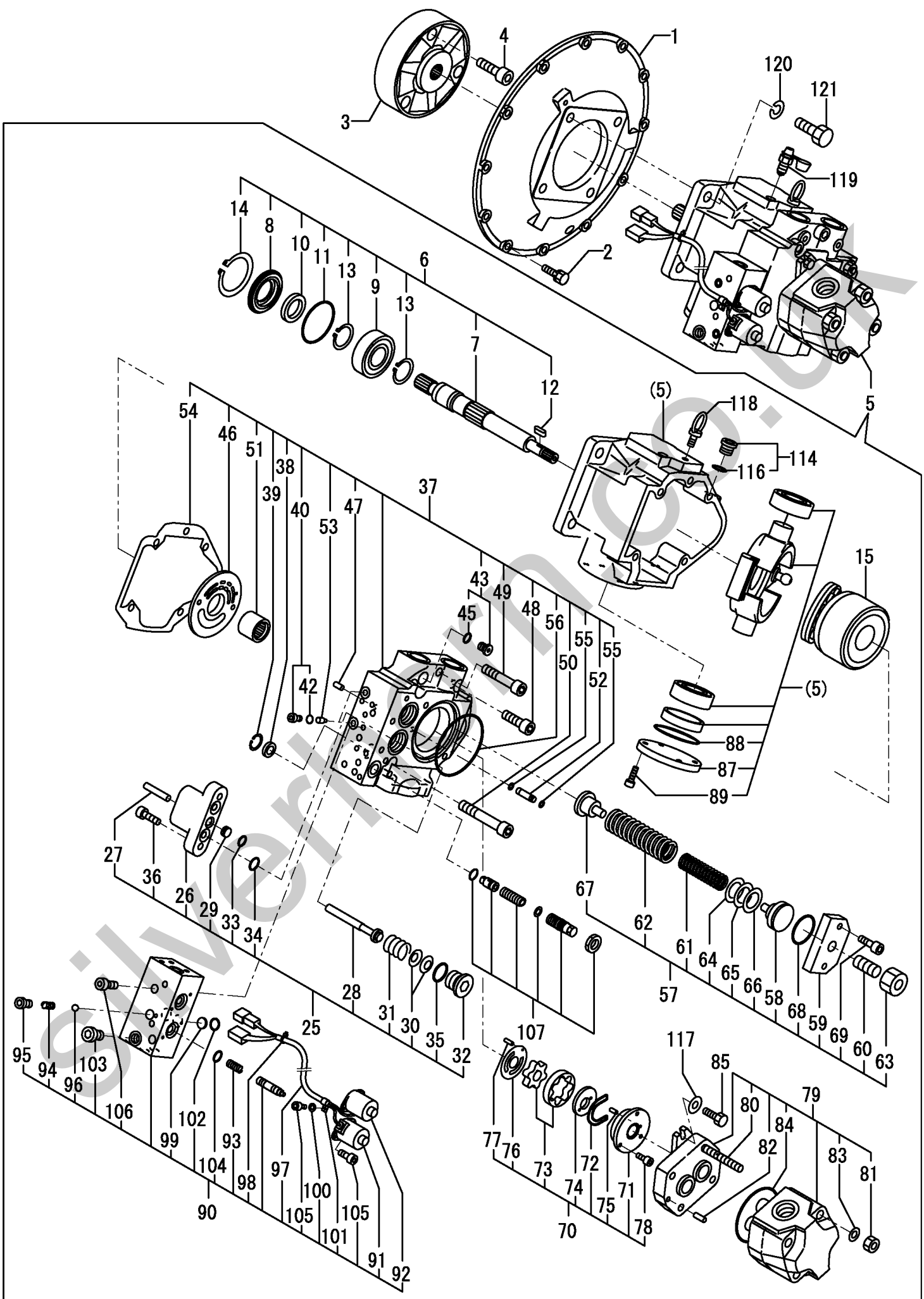




1,1,,172187-71100,, "COVER, FLYWHEEL",1,1,1,,,,,,,,,,,,,,,,,,,,,  
2,1,,26013-100302,, "BOLT M10X 30",12,12,12,,,,,,,,,,,,,,,,,,,,,  
3,1,,172187-71200,, CUPRING,1,1,1,,,,,,,,,,,,,,,,,,,,,  
4,1,,172187-71210,, "BOLT 14X 50",3,3,3,,,,,,,,,,,,,,,,,,,,,  
5,1,,172478-73100,, "PUMP CMP",1,1,1,,,,,,,,,,,,,,,,,,,,,  
6,2,,172187-73110,, SHAFT,1,1,1,,,,,,,,,,,,,,,,,,,,,I  
7,3,,172187-73210,, SHAFT,1,1,1,,,,,,,,,,,,,,,,,,,,,I  
8,3,,172187-73220,, "SEAL CASE",1,1,1,,,,,,,,,,,,,,,,,,,,,I  
9,3,,172187-73230,, "BEARING",1,1,1,,,,,,,,,,,,,,,,,,,,,I  
10,3,,172187-73240,, SEAL,1,1,1,,,,,,,,,,,,,,,,,,,,,I  
11,3,,172187-73250,, "O-RING 151",1,1,1,,,,,,,,,,,,,,,,,,,,,I  
12,3,,172187-73260,, KEY,1,1,1,,,,,,,,,,,,,,,,,,,,,I  
13,3,,22242-000350,, "CIRCLIP 35",2,2,2,,,,,,,,,,,,,,,,,,,,,I  
14,3,,22252-000800,, "CIRCLIP 80",1,1,1,,,,,,,,,,,,,,,,,,,,,I  
15,2,,172187-73120,, "ROTARY GROUP",1,1,1,,,,,,,,,,,,,,,,,,,,,I  
25,2,,172478-73120,, "CONTROL PISTON",1,1,1,,,,,,,,,,,,,,,,,,,,,I  
26,3,,172478-73130,, CYLINDER,1,1,1,,,,,,,,,,,,,,,,,,,,,I  
27,3,,172478-73150,, "PIN 11X50, STRAIGHT",1,1,1,,,,,,,,,,,,,,,,,,,,,I  
28,3,,172187-75800,, PISTON,2,2,2,,,,,,,,,,,,,,,,,,,,,I  
29,3,,172187-75810,, ORIFICE,1,1,1,,,,,,,,,,,,,,,,,,,,,I  
30,3,,172187-75820,, SPRING,4,4,4,,,,,,,,,,,,,,,,,,,,,I  
31,3,,172187-75830,, SPRING,2,2,2,,,,,,,,,,,,,,,,,,,,,I  
32,3,,172187-75840,, PLUG,2,2,2,,,,,,,,,,,,,,,,,,,,,I  
33,3,,24315-000160,, "O-RING 1B P-16.0",1,1,1,,,,,,,,,,,,,,,,,,,,,I  
34,3,,24315-000200,, "O-RING 1B P-20.0",2,2,2,,,,,,,,,,,,,,,,,,,,,I  
35,3,,24315-000290,, "O-RING 1B P-29.0",2,2,2,,,,,,,,,,,,,,,,,,,,,I  
36,3,,26450-100302,, "BOLT M10X 30",2,2,2,,,,,,,,,,,,,,,,,,,,,I  
37,2,,172187-73130,, "COVER ASSY",1,1,1,,,,,,,,,,,,,,,,,,,,,I  
38,3,,172164-73660,, FILTER,1,1,1,,,,,,,,,,,,,,,,,,,,,I  
39,3,,172164-73670,, "CIRCLIP",1,1,1,,,,,,,,,,,,,,,,,,,,,I  
40,3,,172142-74590,, PLUG,2,2,2,,,,,,,,,,,,,,,,,,,,,I  
42,4,,24315-000080,, "O-RING 1B P-8.0",2,2,2,,,,,,,,,,,,,,,,,,,,,I  
43,3,,172142-74600,, PLUG,2,2,2,,,,,,,,,,,,,,,,,,,,,I  
45,4,,24315-000110,, "O-RING 1B P-11.0",2,2,2,,,,,,,,,,,,,,,,,,,,,I  
46,3,,172187-75600,, "CONTROL PLATE",1,1,1,,,,,,,,,,,,,,,,,,,,,I  
47,3,,172187-75610,, "PIN, STRAIGHT",2,2,2,,,,,,,,,,,,,,,,,,,,,I  
48,3,,172187-75620,, "BOLT 14X 40",2,2,2,,,,,,,,,,,,,,,,,,,,,I  
49,3,,172187-75630,, "BOLT 14X 65",2,2,2,,,,,,,,,,,,,,,,,,,,,I  
50,3,,172187-75640,, "BOLT 14X 75",1,1,1,,,,,,,,,,,,,,,,,,,,,I  
51,3,,172187-75650,, BEARING,1,1,1,,,,,,,,,,,,,,,,,,,,,I  
52,3,,172187-75660,, SLEEVE,1,1,1,,,,,,,,,,,,,,,,,,,,,I  
53,3,,172187-75670,, ORIFICE,2,2,2,,,,,,,,,,,,,,,,,,,,,I  
54,3,,172187-75680,, GASKET,1,1,1,,,,,,,,,,,,,,,,,,,,,I  
55,3,,24315-000050,, "O-RING 1B P-5.0",2,2,2,,,,,,,,,,,,,,,,,,,,,I  
56,3,,24321-001050,, "O-RING 1A G-105.0",1,1,1,,,,,,,,,,,,,,,,,,,,,I  
57,2,,172487-73340,, SPRING,1,1,1,,,,,,,,,,,,,,,,,,,,,I  
58,3,,172187-75700,, "STAY SPRING",1,1,1,,,,,,,,,,,,,,,,,,,,,I  
59,3,,172187-75710,, PLATE,1,1,1,,,,,,,,,,,,,,,,,,,,,I  
60,3,,172187-75720,, "ADJUST SCREW",1,1,1,,,,,,,,,,,,,,,,,,,,,I  
61,3,,172187-75730,, SPRING,1,1,1,,,,,,,,,,,,,,,,,,,,,I  
62,3,,172187-75740,, SPRING,1,1,1,,,,,,,,,,,,,,,,,,,,,I  
63,3,,172187-75750,, NUT,1,1,1,,,,,,,,,,,,,,,,,,,,,I  
64,3,,172187-75760,, "SHIM 32X45X0.3",1,1,1,,,,,,,,,,,,,,,,,,,,,I  
65,3,,172187-75770,, SHIM,1,1,1,,,,,,,,,,,,,,,,,,,,,I  
66,3,,172187-75780,, SHIM,1,1,1,,,,,,,,,,,,,,,,,,,,,I  
67,3,,172187-75980,, SHIM,1,1,1,,,,,,,,,,,,,,,,,,,,,I  
68,3,,24311-000440,, "O-RING 1A P-44.0",1,1,1,,,,,,,,,,,,,,,,,,,,,I  
69,3,,26450-100302,, "BOLT M10X 30",2,2,2,,,,,,,,,,,,,,,,,,,,,I  
70,2,,172478-73160,, "TROCROID PUMP",1,1,1,,,,,,,,,,,,,,,,,,,,,I  
71,3,,172478-73170,, CASE,1,1,1,,,,,,,,,,,,,,,,,,,,,I  
72,3,,172478-73180,, "O-RING YP40.87",1,1,1,,,,,,,,,,,,,,,,,,,,,I  
73,3,,172187-75850,, "GEAR 6.5",1,1,1,,,,,,,,,,,,,,,,,,,,,I  
74,3,,172187-75870,, "PLATE A ,SIDE",1,1,1,,,,,,,,,,,,,,,,,,,,,I

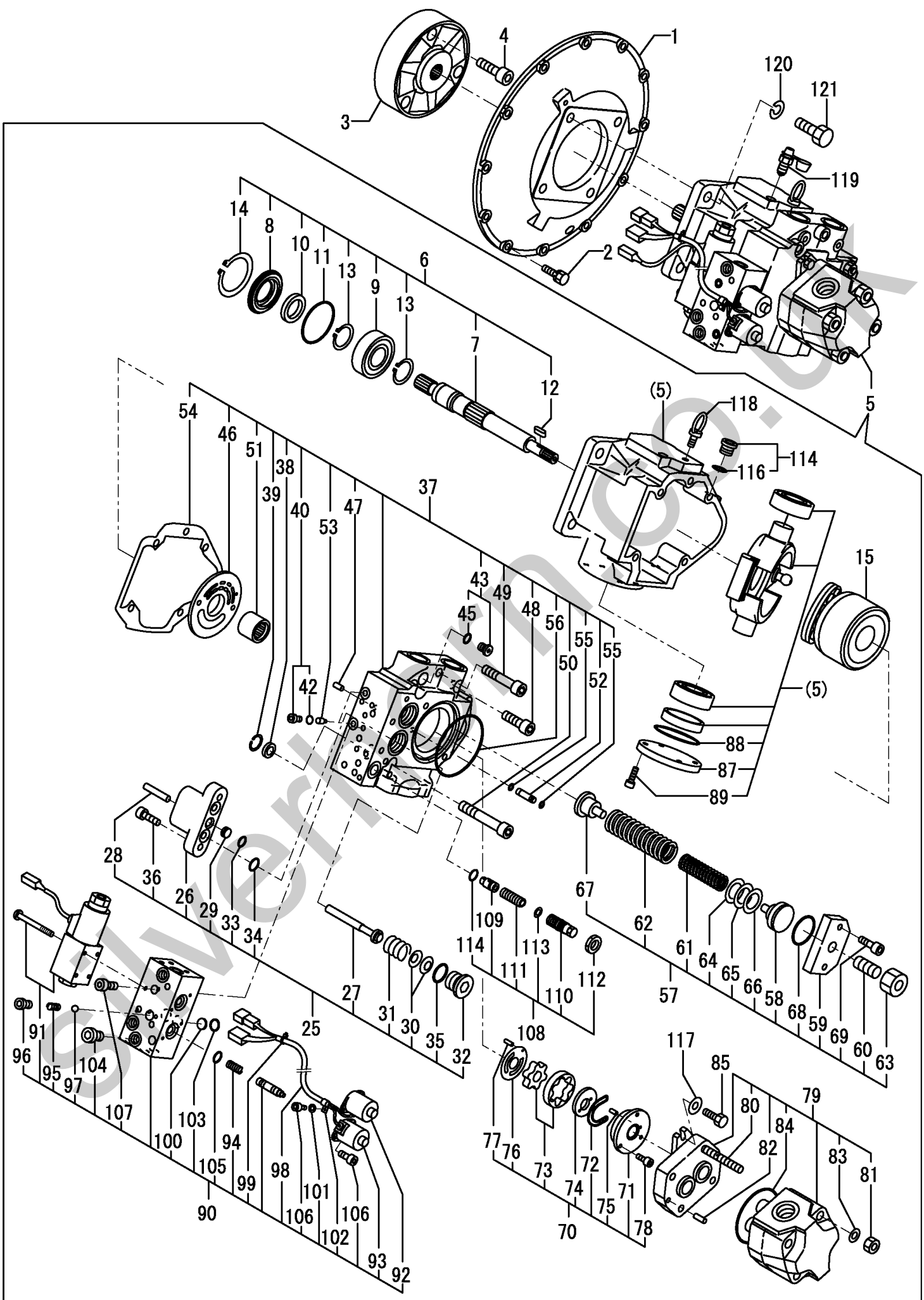
75,3,,172187-75890,, "PIN,SPRING",1,1,1,,,,,,,,,,,,,I  
76,3,,172187-75910,, "PLATE B ,SIDE",1,1,1,,,,,,,,,,,,,I  
77,3,,172187-75920,, "PIN,SPRING",1,1,1,,,,,,,,,,,,,I  
78,3,,26450-050122,, "BOLT M 5X 12",3,3,3,,,,,,,,,,,,,I  
79,2,,172187-73170,, "PUMP, GEAR",1,1,1,,,,,,,,,,,,,I  
80,3,,172187-75930,, "BOLT 14X104, STUD",4,4,4,,,,,,,,,,,,,I  
81,3,,172187-75940,, "NUT, 6X18 HEX SOCKET",4,4,4,,,,,,,,,,,,,I  
82,3,,172187-75950,, "PIN, 8X54",2,2,2,,,,,,,,,,,,,I  
83,3,,172187-75960,, "WASHER,4,4,4",,,,,,,,,,,,,,I  
84,3,,24325-000900,, "O-RING 1B G-90.0",1,1,1,,,,,,,,,,,,,I  
85,2,,172187-73190,, "BOLT M10X 25",2,2,2,,,,,,,,,,,,,I  
87,3,,172187-75970,, "PLATE,1,1,1",,,,,,,,,,,,,,I  
88,3,,24321-000750,, "O-RING 1A G-75.0",1,1,1,,,,,,,,,,,,,I  
89,3,,26450-080222,, "BOLT M 8X 22",4,4,4,,,,,,,,,,,,,I  
90,2,,172478-73200,, "VALVE ASSY",1,1,1,,,,,,,,,,,,,I  
91,3,,172989-73150,, "SOLENOID (B",1,1,1,,,,,,,,,,,,,I  
92,3,,172989-73160,, "SOLENOID (A",1,1,1,,,,,,,,,,,,,I  
93,3,,172478-73210,, "SPRING,2,2,2",,,,,,,,,,,,,,I  
94,3,,172478-73220,, "SPRING,1,1,1",,,,,,,,,,,,,,I  
95,3,,172478-73230,, "PLUG ASSY G1/8",1,1,1,,,,,,,,,,,,,I  
96,3,,172478-73240,, "BALL,STEEL",1,1,1,,,,,,,,,,,,,I  
97,3,,172478-73250,, "COVER,1,1,1",,,,,,,,,,,,,,I  
98,3,,172478-73260,, "BAND,2,2,2",,,,,,,,,,,,,,I  
99,3,,172478-73270,, "ELEMENT,FILTER",1,1,1,,,,,,,,,,,,,I  
100,3,,172478-73280,, "WASHER,1,1,1",,,,,,,,,,,,,,I  
101,3,,172478-73290,, "CLAMP,1,1,1",,,,,,,,,,,,,,I  
102,3,,172478-73300,, "O-RING,2,2,2",,,,,,,,,,,,,,I  
103,3,,172478-73310,, "PLUG ASSY",1,1,1,,,,,,,,,,,,,I  
104,3,,24311-000160,, "O-RING 1A P-16.0",2,2,2,,,,,,,,,,,,,I  
105,3,,26450-040102,, "BOLT 4\* 10",5,5,5,,,,,,,,,,,,,I  
106,3,,26450-080302,, "BOLT M 8X 30",2,2,2,,,,,,,,,,,,,I  
107,2,,172164-73470,, "VALVE ASSY, RELIEF",1,1,1,,,,,,,,,,,,,I  
114,2,,172142-74620,, "PLUG,2,2,2",,,,,,,,,,,,,,I  
116,3,,24315-000180,, "O-RING 1B P-18.0",2,2,2,,,,,,,,,,,,,I  
117,2,,22217-100000,, "SPRING WASHER 10",2,2,2,,,,,,,,,,,,,I  
118,2,,26617-100002,, "EYE BOLT M10",1,1,1,,,,,,,,,,,,,I  
119,1,,172164-73110,, "VALVE,1,1,1",,,,,,,,,,,,,,  
120,1,,22217-160000,, "SPRING WASHER 16",4,4,4,,,,,,,,,,,,,  
121,1,,26116-160452,, "BOLT M16X 45 PLATED",4,4,4,,,,,,,,,,,,,





1,1,,172187-71100,, "COVER, FLYWHEEL",1,,1,,,,,,,,,,,,,,,,,,,,,I  
2,1,,26013-100302,, "BOLT M10X 30",12,,12,,,,,,,,,,,,,,,,,,,,,I  
3,1,,172187-71200,, CUPRING,1,,1,,,,,,,,,,,,,,,,,,,,,I  
4,1,,172187-71210,, "BOLT 14X 50",3,,3,,,,,,,,,,,,,,,,,,,,,I  
5,1,,172978-73100,, "PUMP ASSY,3SOL",1,,1,,,,,,,,,,,,,,,,,,,,,I  
6,2,,172187-73110,, SHAFT,1,,1,,,,,,,,,,,,,,,,,,,,,I  
7,3,,172187-73210,, SHAFT,1,,1,,,,,,,,,,,,,,,,,,,,,I  
8,3,,172187-73220,, "SEAL CASE",1,,1,,,,,,,,,,,,,,,,,,,,,I  
9,3,,172187-73230,, "BEARING",1,,1,,,,,,,,,,,,,,,,,,,,,I  
10,3,,172187-73240,, SEAL,1,,1,,,,,,,,,,,,,,,,,,,,,I  
11,3,,172187-73250,, "O-RING 151",1,,1,,,,,,,,,,,,,,,,,,,,,I  
12,3,,172187-73260,, KEY,1,,1,,,,,,,,,,,,,,,,,,,,,I  
13,3,,22242-000350,, "CIRCLIP 35",2,,2,,,,,,,,,,,,,,,,,,,,,I  
14,3,,22252-000800,, "CIRCLIP 80",1,,1,,,,,,,,,,,,,,,,,,,,,I  
15,2,,172187-73120,, "ROTARY GROUP",1,,1,,,,,,,,,,,,,,,,,,,,,I  
25,2,,172478-73120,, "CONTROL PISTON",1,,1,,,,,,,,,,,,,,,,,,,,,I  
26,3,,172478-73130,, CYLINDER,1,,1,,,,,,,,,,,,,,,,,,,,,I  
27,3,,172187-75800,, PISTON,2,,2,,,,,,,,,,,,,,,,,,,,,I  
28,3,,172478-73150,, "PIN 11X50,STRAIGHT",1,,1,,,,,,,,,,,,,,,,,,,,,I  
29,3,,172187-75810,, ORIFICE,1,,1,,,,,,,,,,,,,,,,,,,,,I  
30,3,,172187-75820,, SPRING,4,,4,,,,,,,,,,,,,,,,,,,,,I  
31,3,,172187-75830,, SPRING,2,,2,,,,,,,,,,,,,,,,,,,,,I  
32,3,,172187-75840,, PLUG,2,,2,,,,,,,,,,,,,,,,,,,,,I  
33,3,,24315-000160,, "O-RING 1B P-16.0",1,,1,,,,,,,,,,,,,,,,,,,,,I  
34,3,,24315-000200,, "O-RING 1B P-20.0",2,,2,,,,,,,,,,,,,,,,,,,,,I  
35,3,,24315-000290,, "O-RING 1B P-29.0",2,,2,,,,,,,,,,,,,,,,,,,,,I  
36,3,,26450-100302,, "BOLT M10X 30",2,,2,,,,,,,,,,,,,,,,,,,,,I  
37,2,,172187-73130,, "COVER ASSY",1,,1,,,,,,,,,,,,,,,,,,,,,I  
38,3,,172164-73660,, FILTER,1,,1,,,,,,,,,,,,,,,,,,,,,I  
39,3,,172164-73670,, "CIRCLIP",1,,1,,,,,,,,,,,,,,,,,,,,,I  
40,3,,172142-74590,, PLUG,2,,2,,,,,,,,,,,,,,,,,,,,,I  
42,4,,24315-000080,, "O-RING 1B P-8.0",2,,2,,,,,,,,,,,,,,,,,,,,,I  
43,3,,172142-74600,, PLUG,2,,2,,,,,,,,,,,,,,,,,,,,,I  
45,4,,24315-000110,, "O-RING 1B P-11.0",2,,2,,,,,,,,,,,,,,,,,,,,,I  
46,3,,172187-75600,, "CONTROL PLATE",1,,1,,,,,,,,,,,,,,,,,,,,,I  
47,3,,172187-75610,, "PIN,STRAIGHT",2,,2,,,,,,,,,,,,,,,,,,,,,I  
48,3,,172187-75620,, "BOLT 14X 40",2,,2,,,,,,,,,,,,,,,,,,,,,I  
49,3,,172187-75630,, "BOLT 14X 65",2,,2,,,,,,,,,,,,,,,,,,,,,I  
50,3,,172187-75640,, "BOLT 14X 75",1,,1,,,,,,,,,,,,,,,,,,,,,I  
51,3,,172187-75650,, BEARING,1,,1,,,,,,,,,,,,,,,,,,,,,I  
52,3,,172187-75660,, SLEEVE,1,,1,,,,,,,,,,,,,,,,,,,,,I  
53,3,,172187-75670,, ORIFICE,2,,2,,,,,,,,,,,,,,,,,,,,,I  
54,3,,172187-75680,, GASKET,1,,1,,,,,,,,,,,,,,,,,,,,,I  
55,3,,24315-000050,, "O-RING 1B P-5.0",2,,2,,,,,,,,,,,,,,,,,,,,,I  
56,3,,24321-001050,, "O-RING 1A G-105.0",1,,1,,,,,,,,,,,,,,,,,,,,,I  
57,2,,172478-73340,, SPRING,1,,1,,,,,,,,,,,,,,,,,,,,,I  
58,3,,172478-73350,, "STAY,SPRING",1,,1,,,,,,,,,,,,,,,,,,,,,I  
59,3,,172187-75710,, PLATE,1,,1,,,,,,,,,,,,,,,,,,,,,I  
60,3,,172187-75720,, "ADJUST SCREW",1,,1,,,,,,,,,,,,,,,,,,,,,I  
61,3,,172478-73360,, "SPRING 22.5/7X92/8.2",1,,1,,,,,,,,,,,,,,,,,,,,,I  
62,3,,172187-75740,, SPRING,1,,1,,,,,,,,,,,,,,,,,,,,,I  
63,3,,172187-75750,, NUT,1,,1,,,,,,,,,,,,,,,,,,,,,I  
64,3,,172187-75760,, "SHIM 32X45X0.3",1,,1,,,,,,,,,,,,,,,,,,,,,I  
65,3,,172187-75770,, SHIM,1,,1,,,,,,,,,,,,,,,,,,,,,I  
66,3,,172187-75780,, SHIM,1,,1,,,,,,,,,,,,,,,,,,,,,I  
67,3,,172187-75980,, SHIM,1,,1,,,,,,,,,,,,,,,,,,,,,I  
68,3,,24311-000440,, "O-RING 1A P-44.0",1,,1,,,,,,,,,,,,,,,,,,,,,I  
69,3,,26450-100302,, "BOLT M10X 30",2,,2,,,,,,,,,,,,,,,,,,,,,I  
70,2,,172478-73160,, "TROCHOID PUMP",1,,1,,,,,,,,,,,,,,,,,,,,,I  
71,3,,172478-73170,, CASE,1,,1,,,,,,,,,,,,,,,,,,,,,I  
72,3,,172478-73180,, "O-RING YP40.87",1,,1,,,,,,,,,,,,,,,,,,,,,I  
73,3,,172187-75850,, "GEAR 6.5",1,,1,,,,,,,,,,,,,,,,,,,,,I  
74,3,,172187-75870,, "PLATE A ,SIDE",1,,1,,,,,,,,,,,,,,,,,,,,,I

75,3,,172187-75890,, "PIN,SPRING",1,,1,,,,,,,,,,,,,,,,,,,,,I  
76,3,,172187-75910,, "PLATE B ,SIDE",1,,1,,,,,,,,,,,,,,,,,,,,,I  
77,3,,172187-75920,, "PIN,SPRING",1,,1,,,,,,,,,,,,,,,,,,,,,I  
78,3,,26450-050122,, "BOLT M 5X 12",3,,3,,,,,,,,,,,,,,,,,,,,,I  
79,2,,172187-73170,, "PUMP, GEAR",1,,1,,,,,,,,,,,,,,,,,,,,,I  
80,3,,172187-75930,, "BOLT 14X104, STUD",4,,4,,,,,,,,,,,,,,,,,,,,,I  
81,3,,172187-75940,, "NUT, 6X18 HEX SOCKET",4,,4,,,,,,,,,,,,,,,,,,,,,I  
82,3,,172187-75950,, "PIN, 8X54",2,,2,,,,,,,,,,,,,,,,,,,,,I  
83,3,,172187-75960,, "WASHER,4,,4,,,,,,,,,,,,,,,,,,,,,I  
84,3,,24325-000900,, "O-RING 1B G-90.0",1,,1,,,,,,,,,,,,,,,,,,,,,I  
85,2,,172187-73190,, "BOLT M10X 25",2,,2,,,,,,,,,,,,,,,,,,,,,I  
87,3,,172187-75970,, "PLATE",1,,1,,,,,,,,,,,,,,,,,,,,,I  
88,3,,24321-000750,, "O-RING 1A G-75.0",1,,1,,,,,,,,,,,,,,,,,,,,,I  
89,3,,26450-080222,, "BOLT M 8X 22",4,,4,,,,,,,,,,,,,,,,,,,,,I  
90,2,,172956-73110,, "VALVE ASSY",1,,1,,,,,,,,,,,,,,,,,,,,,I  
91,3,,172956-73120,, "MAGNETIC VALVE",1,,1,,,,,,,,,,,,,,,,,,,,,I  
92,3,,172456-73580,, "SOLENOID (A",1,,1,,,,,,,,,,,,,,,,,,,,,I  
93,3,,172456-73590,, "SOLENOID (B",1,,1,,,,,,,,,,,,,,,,,,,,,I  
94,3,,172456-73870,, "SPRING,2,,2,,,,,,,,,,,,,,,,,,,,,I  
95,3,,172456-73880,, "SPRING,1,,1,,,,,,,,,,,,,,,,,,,,,I  
96,3,,172456-73890,, "PLUG ASSY",1,,1,,,,,,,,,,,,,,,,,,,,,I  
97,3,,172456-73900,, "BALL, STEEL",1,,1,,,,,,,,,,,,,,,,,,,,,I  
98,3,,172456-73910,, "COVER,1,,1,,,,,,,,,,,,,,,,,,,,,I  
99,3,,172456-73930,, "ELEMENT,FILTER",1,,1,,,,,,,,,,,,,,,,,,,,,I  
100,3,,172456-73940,, "WASHER,1,,1,,,,,,,,,,,,,,,,,,,,,I  
101,3,,172456-73950,, "CLAMP,1,,1,,,,,,,,,,,,,,,,,,,,,I  
102,3,,172456-73960,, "O-RING,2,,2,,,,,,,,,,,,,,,,,,,,,I  
103,3,,172456-73970,, "PLUG ASSY",1,,1,,,,,,,,,,,,,,,,,,,,,I  
104,3,,24311-000160,, "O-RING 1A P-16.0",2,,2,,,,,,,,,,,,,,,,,,,,,I  
105,3,,26450-040102,, "BOLT 4\* 10",5,,5,,,,,,,,,,,,,,,,,,,,,I  
106,3,,26450-080302,, "BOLT M 8X 30",2,,2,,,,,,,,,,,,,,,,,,,,,I  
107,2,,172164-73470,, "VALVE ASSY, RELIEF",1,,1,,,,,,,,,,,,,,,,,,,,,I  
108,3,,172164-73050,, "SPOOL,1,,1,,,,,,,,,,,,,,,,,,,,,I  
109,3,,172164-73370,, "ADJUST SCREW",1,,1,,,,,,,,,,,,,,,,,,,,,I  
110,3,,172164-73380,, "SPRING, RETERN",1,,1,,,,,,,,,,,,,,,,,,,,,I  
111,3,,172164-73390,, "NUT,1,,1,,,,,,,,,,,,,,,,,,,,,I  
112,3,,172164-73510,, "SEAT, SPRING",1,,1,,,,,,,,,,,,,,,,,,,,,I  
113,3,,172141-74430,, "O-RING,1,,1,,,,,,,,,,,,,,,,,,,,,I  
114,2,,172142-74620,, "PLUG,2,,2,,,,,,,,,,,,,,,,,,,,,I  
116,3,,24315-000180,, "O-RING 1B P-18.0",2,,2,,,,,,,,,,,,,,,,,,,,,I  
117,2,,22217-100000,, "SPRING WASHER 10",2,,2,,,,,,,,,,,,,,,,,,,,,I  
118,2,,26617-100002,, "EYE BOLT M10",1,,1,,,,,,,,,,,,,,,,,,,,,I  
119,1,,172164-73110,, "VALVE,1,,1,,,,,,,,,,,,,,,,,,,,,I  
120,1,,22217-160000,, "SPRING WASHER 16",4,,4,,,,,,,,,,,,,,,,,,,,,I  
121,1,,26116-160452,, "BOLT M16X 45 PLATED",4,,4,,,,,,,,,,,,,,,,,,,,,I

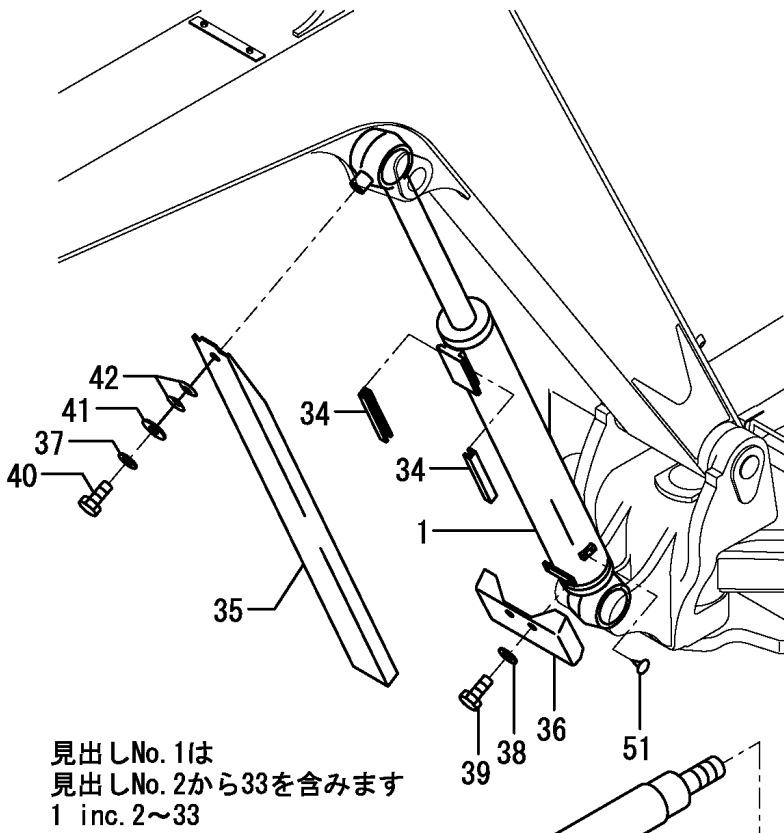




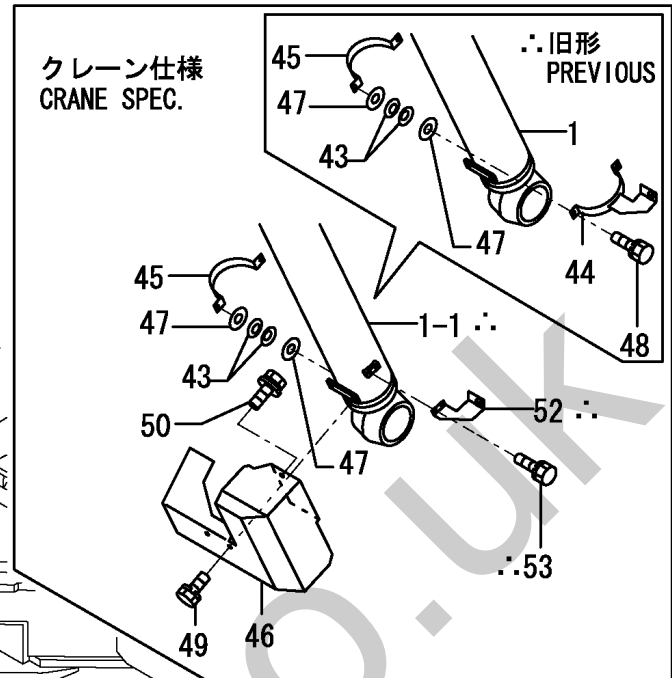
1,1,,172020-10101,, "CYLINDER,BOOM (97)",1,1,1,,,,,,,,,,,,,  
1-1,1,,172020-10102,, "CYLINDER, BOOM  
(97)",1,1,1,,,,,N,,24780160,\*2003.07,24780160,\*2003.07,24780160,\*2003.07,,,,,,I  
2,2,,194145-04810,, "WASHER 10",1,1,1,,,,,,,,,,,,,  
3,2,,172020-10112,, "TUBE,BOOM (GREEN:97)",1,1,1,,,,,,,,,,,,,  
3-1,2,,172020-10113,, "TUBE, BOOM C  
(97)",1,1,1,,,,,N,,24780160,\*2003.07,24780160,\*2003.07,24780160,\*2003.07,,,,,,I  
4,3,,172020-10220,, "BUSH 70 85",1,1,1,,,,,,,,,,,,,  
5,3,,172162-82350,, "SEAL 70X85X6,DUST",2,2,2,,,,,,,,,,,,,  
6,2,,172020-10141,, "TUBE (GREEN:97)",1,1,1,,,,,,,,,,,,,  
7,2,,172020-10230,, "HEAD 115 65",1,1,1,,,,,,,,,,,,,  
9,3,,172020-10320,, "BUSH 65 40",1,1,,,,,,,,,,,,,  
9-1,3,,24550-065400,, "BUSH  
65X40,DRIVE",1,1,1,,,,,R,,A1686116,M/#20613,A1686116,M/#20613,,,,,,  
10,2,,172020-10251,, "LOD,BOOM",1,1,1,,,,,,,,,,,,,  
11,3,,172020-10220,, "BUSH 70 85",1,1,1,,,,,,,,,,,,,  
12,3,,172162-82350,, "SEAL 70X85X6,DUST",2,2,2,,,,,,,,,,,,,  
13,3,,172478-72010,, "SEAT, SCREW  
M10",1,1,1,,,,,W,,72458525,M/#20501,72458525,M/#20501,,,,,,  
14,2,,172020-10290,, "PISTON 115",1,1,1,,,,,,,,,,,,,  
15,2,,172020-10370,, "U-NUT M45X3",1,1,1,,,,,,,,,,,,,  
16,2,,172020-11600,, "SEAL SET 115X65",1,1,1,,,,,,,,,,,,,  
17,3,,172020-10360,, "WASHER 115,LOCK",1,1,1,,,,,,,,,,,,,  
18,3,,172020-10380,, "RING 82,SPRING",1,1,1,,,,,,,,,,,,,  
19,3,,172020-11610,, "SEAL SET, HEAD",1,1,1,,,,,,,,,,,,,  
26,3,,172020-11620,, "SEAL SET 115,PISTON",1,1,1,,,,,,,,,,,,,  
29,2,,172478-72190,, "PLUNGER 72,CUSHION",1,1,1,,,,,,,,,,,,,  
30,2,,172478-72250,, "COLLAR 45 59,CUSHION",1,1,1,,,,,,,,,,,,,  
31,2,,24761-020000,, "NIPPLE PT1/8,GREASE",1,1,1,,,,,,,,,,,,,  
32,2,,24761-050000,, "NIPPLE C,GREASE",1,1,1,,,,,,,,,,,,,  
33,2,,26013-100252,, "BOLT W/WASHER M10X25",1,1,1,,,,,,,,,,,,,  
34,1,,172162-61770,, "GUIDE,SLIDE",2,2,2,,,,,,,,,,,,,  
35,1,,172187-72910,, "COVER,SLIDE(GREEN:97)",1,1,1,,,,,,,,,,,,,  
36,1,,172187-72950,, "GUARD ASSY(GREEN:97)",1,1,1,,,,,,,,,,,,,  
37,1,,22217-100000,, "SPRING WASHER 10",1,1,1,,,,,,,,,,,,,  
38,1,,22217-100000,, "SPRING WASHER  
10",2,2,,,,,Z,,72478089,M/#20501,72478089,M/#20501,,,,,,  
39,1,,26116-100162,, "BOLT M10X 16 PLATED",2,2,,,,,,,,,,,,,  
39-1,1,,26014-100202,, "BOLT M10X  
20",2,2,2,,,,,N,,72478089,M/#20501,72478089,M/#20501,,,,,,  
40,1,,26116-100202,, "BOLT M10X 20 PLATED",1,1,1,,,,,,,,,,,,,  
41,1,,933147-03400,, "WASHER, BRAKE ARM",1,1,1,,,,,,,,,,,,,  
42,1,,933168-14170,, "SPRING 16",2,2,2,,,,,,,,,,,,,  
43,1,,172068-28490,, "SPRING  
8",4,4,4,,,,,Z,1,24780160,\*2003.07,24780160,\*2003.07,24780160,\*2003.07,,,,,,I  
44,1,,172187-  
77060,, "BAND,C(BOOM(GREEN:97)",1,1,1,,,,,Z,1,24780160,\*2003.07,24780160,\*2003.07,2  
4780160,\*2003.07,,,,,,I  
45,1,,172187-  
77130,, "BAND,D(BOOM(GREEN:97)",1,1,1,,,,,Z,1,24780160,\*2003.07,24780160,\*2003.07,2  
4780160,\*2003.07,,,,,,I  
46,1,,172187-77340,, "GUARD,CRANE(GREEN:97)",1,1,1,,,,,1,,,,,,,,,,,,,  
47,1,,22137-080000,, "WASHER 8,  
POLISHED",4,4,4,,,,,Z,1,24780160,\*2003.07,24780160,\*2003.07,24780160,\*2003.07,,,,,  
,,I  
48,1,,26013-080252,, "BOLT M 8X  
25",2,2,2,,,,,Z,1,24780160,\*2003.07,24780160,\*2003.07,24780160,\*2003.07,,,,,,I  
49,1,,26013-100452,, "BOLT M10X 45",2,2,2,,,,,1,,,,,,,,,,,,,  
50,1,,26014-100202,, "BOLT M10X 20",1,1,1,,,,,1,,,,,,,,,,,,,  
51,1,,172183-81160,, "TREE  
CLIP",1,1,1,,,,,W,,24780160,\*2003.07,24780160,\*2003.07,24780160,\*2003.07,,,,,,I  
52,1,,172478-77400,, "STAY  
ASSY",1,1,1,,,,,W,1,24780160,\*2003.07,24780160,\*2003.07,24780160,\*2003.07,,,,,,I

53,1,,26013-100202,, "BOLT W/WASHER  
M10X20",2,2,2,,,W,1,24780160,\*2003.07,24780160,\*2003.07,24780160,\*2003.07,,,,,  
,I

Silverhorn.CO.UK

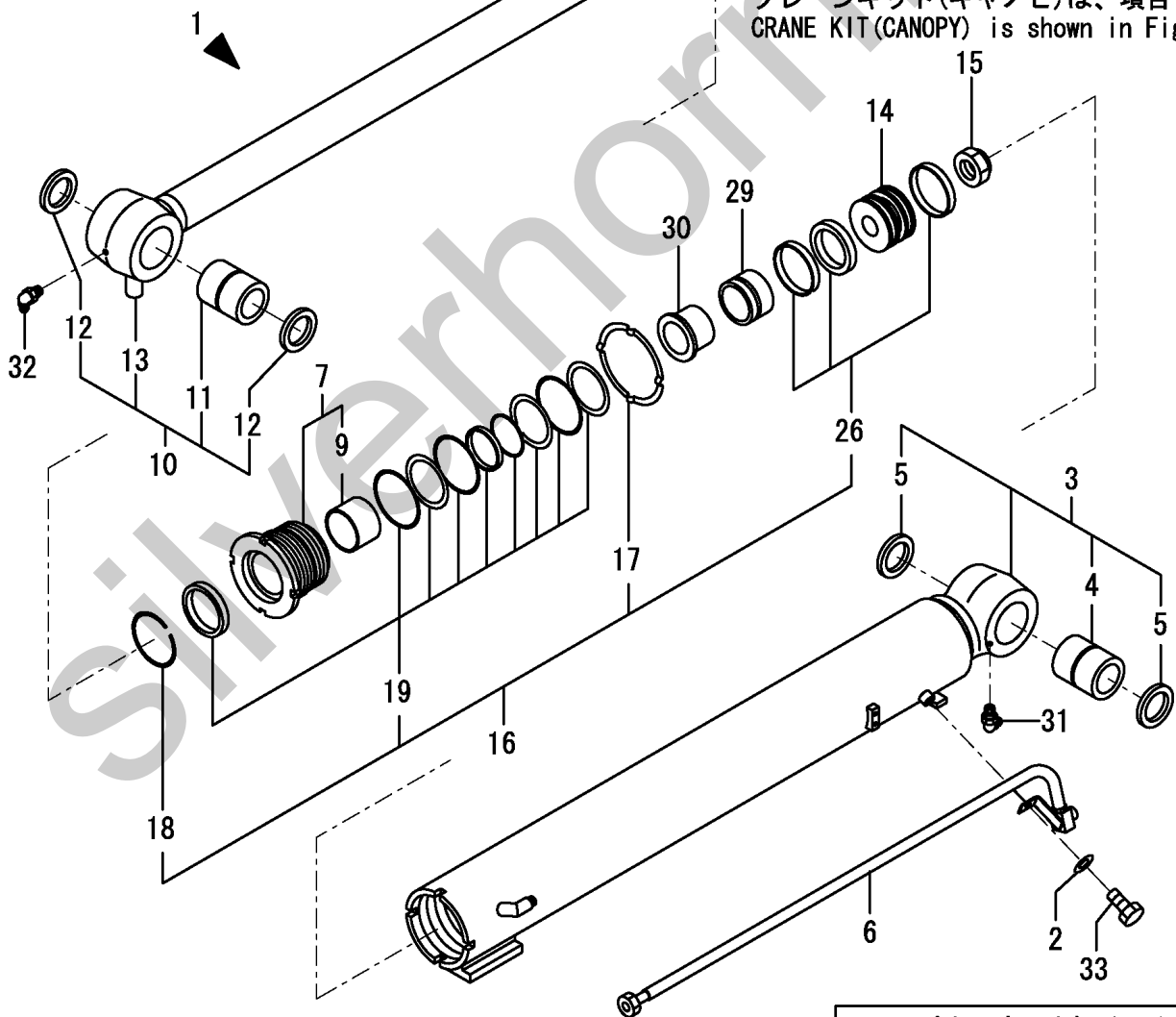


見出しNo. 1は  
 見出しNo. 2から33を含みます  
 1 inc. 2~33



172478-08550  
 クレーンキット(キャビン)は、項目136を参照下さい。  
 CRANE KIT(CABIN) is shown in Fig.136.

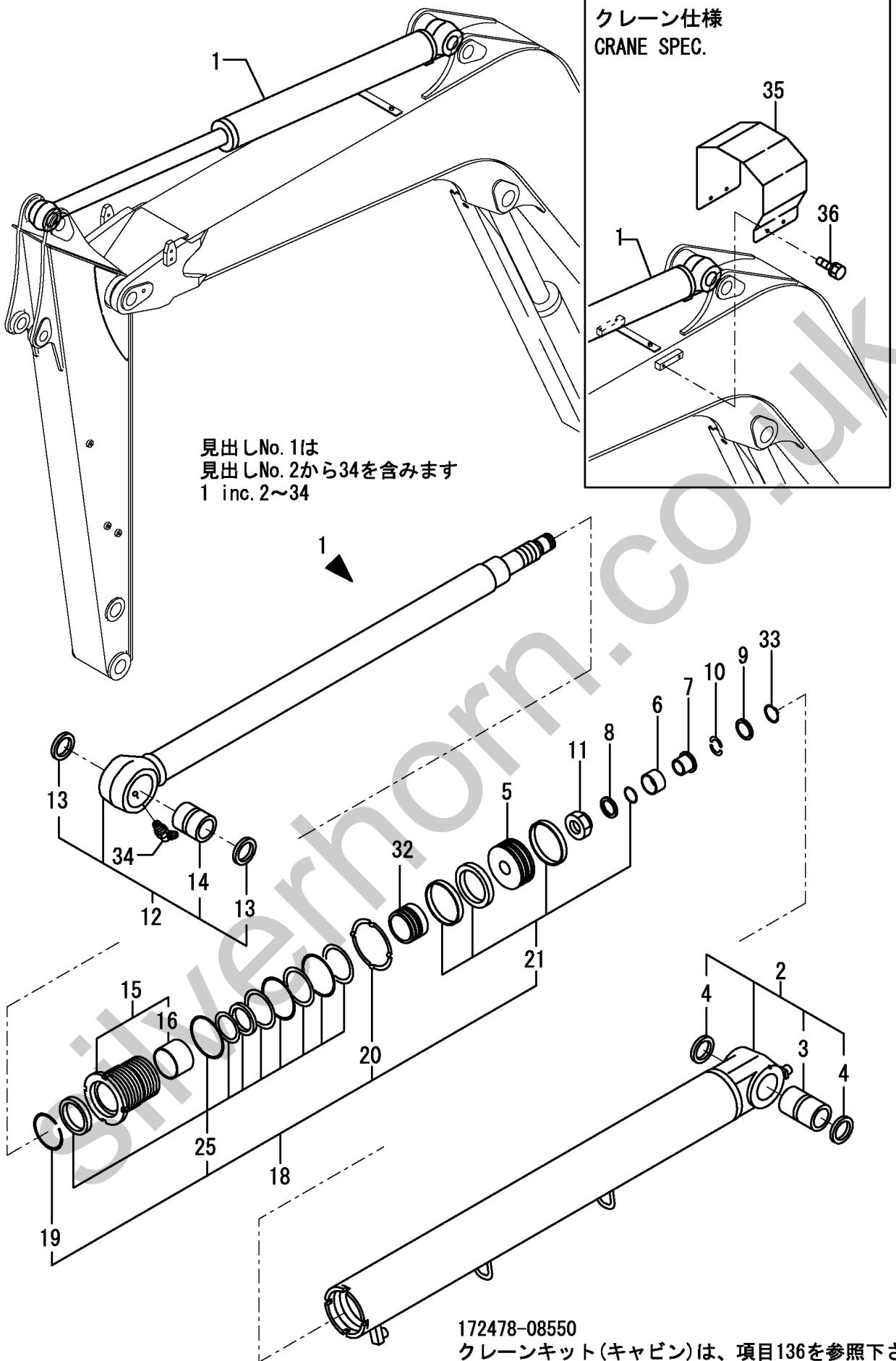
172478-08560  
 クレーンキット(キャノピ)は、項目136を参照下さい。  
 CRANE KIT(CANOPY) is shown in Fig.136.



∴印が今回変更(追記)した個所です。  
 ∴.MARKED PART HAS BEEN CHANGED (ADDED).

1,1,,172478-72100,, "CYLINDER,ARM (97)",1,1,1,,,,,,,,,,,,,  
2,2,,172020-10510,, "TUBE,ARM (GREEN:97)",1,1,1,,,,,,,,,,,,,  
3,3,,172020-10610,, "BUSH 60 75 83",1,1,1,,,,,,,,,,,,,  
4,3,,172020-10620,, "SEAL 60 X 75 X 5",2,2,2,,,,,,,,,,,,,  
5,2,,172020-10720,, "PISTON 100",1,1,1,,,,,,,,,,,,,  
6,2,,172020-10750,, "PLUNGER 48,CUSHION",1,1,1,,,,,,,,,,,,,  
7,2,,172020-10760,, "COLLAR, CUSHION",1,1,1,,,,,,,,,,,,,  
8,2,,172020-10770,, "SPACER,1,1,1",1,1,1,,,,,,,,,,,,,  
9,2,,172020-10780,, "COVER, STOPPER",1,1,1,,,,,,,,,,,,,  
10,2,,172020-10790,, "STOPPER,2,2,2",2,2,2,,,,,,,,,,,,,  
11,2,,172020-10810,, "U-NUT M42 X 3",1,1,1,,,,,,,,,,,,,  
12,2,,172478-72110,, "LOD,ARM",1,1,1,,,,,,,,,,,,,  
13,3,,172020-10620,, "SEAL 60 X 75 X 5",2,2,2,,,,,,,,,,,,,  
14,3,,172020-10680,, "BUSH 60 75 58",1,1,1,,,,,,,,,,,,,  
15,2,,172478-72150,, "HEAD 100 65",1,1,1,,,,,,,,,,,,,  
16,3,,172020-10320,, "BUSH 65 40",1,1,1,,,,,,,,,,,,,  
16-1,3,,24550-065400,, "BUSH  
65X40,DRIVE",1,1,1,,,,,R,,A1686116,M/#20613,A1686116,M/#20613,,,,,,I  
18,2,,172478-72170,, "KIT,CYL SEAL 100X65",1,1,1,,,,,,,,,,,,,  
19,3,,172020-10380,, "RING 82,SPRING",1,1,1,,,,,,,,,,,,,  
20,3,,172020-10800,, "WASHER 100,LOCK",1,1,1,,,,,,,,,,,,,  
21,3,,172020-11650,, "SEAL SET, PISTON",1,1,1,,,,,,,,,,,,,  
25,3,,172478-72180,, "KIT,HEAD SEAL 100X65",1,1,1,,,,,,,,,,,,,  
32,2,,172478-72190,, "PLUNGER 72,CUSHION",1,1,1,,,,,,,,,,,,,  
33,2,,22242-000340,, "CIRCLIP 34",1,1,1,,,,,,,,,,,,,  
34,2,,24761-040000,, "NIPPLE B,GREASE",1,1,1,,,,,,,,,,,,,  
35,1,,172187-77311,, "GUARD,ARM CYL (97)",1,1,1,1,1,1,,,,,,,,,,,,,  
36,1,,26013-100202,, "BOLT W/WASHER M10X20",4,4,4,,,,,1,,,,,,,,,,,,





172478-08550

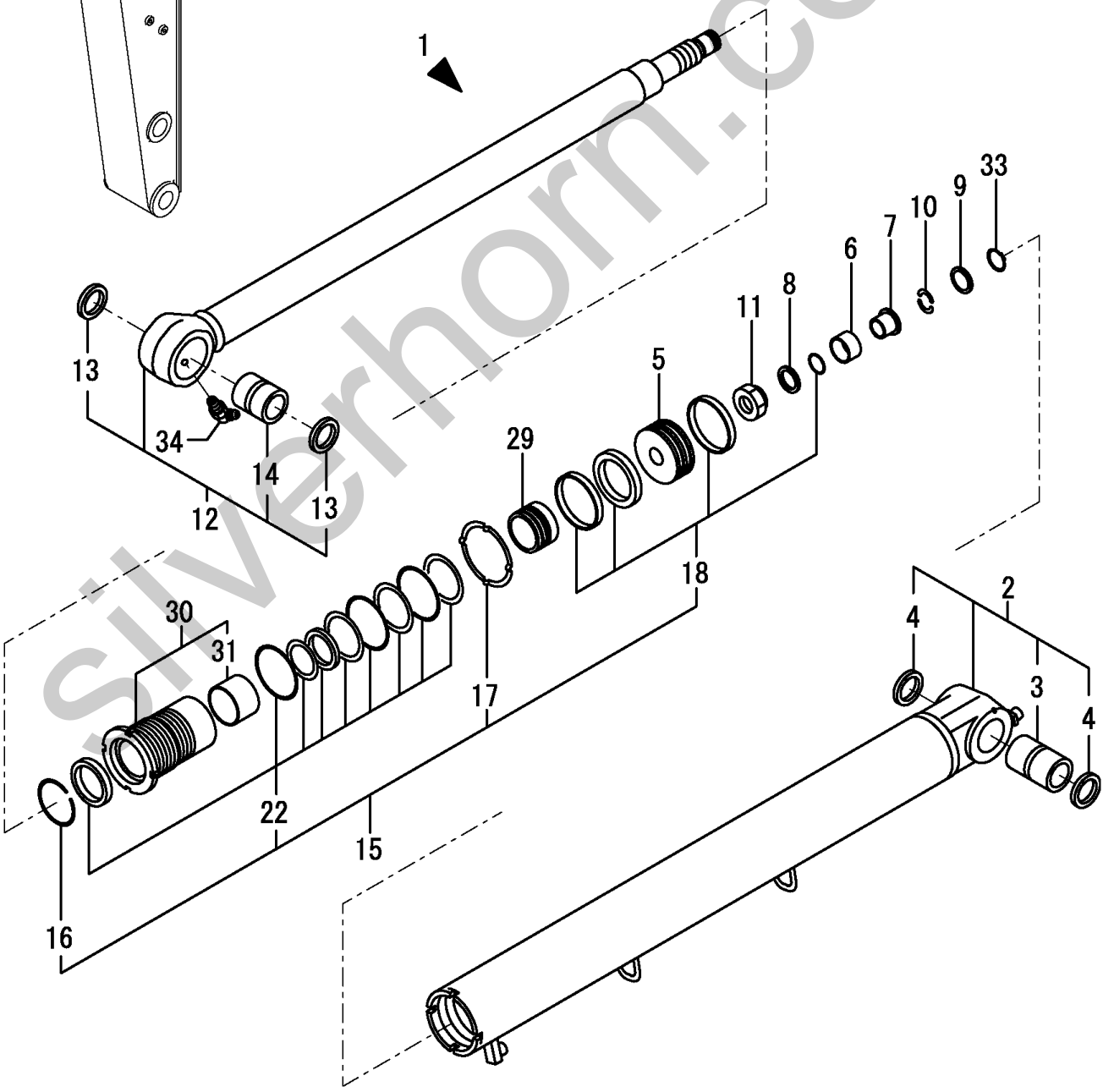
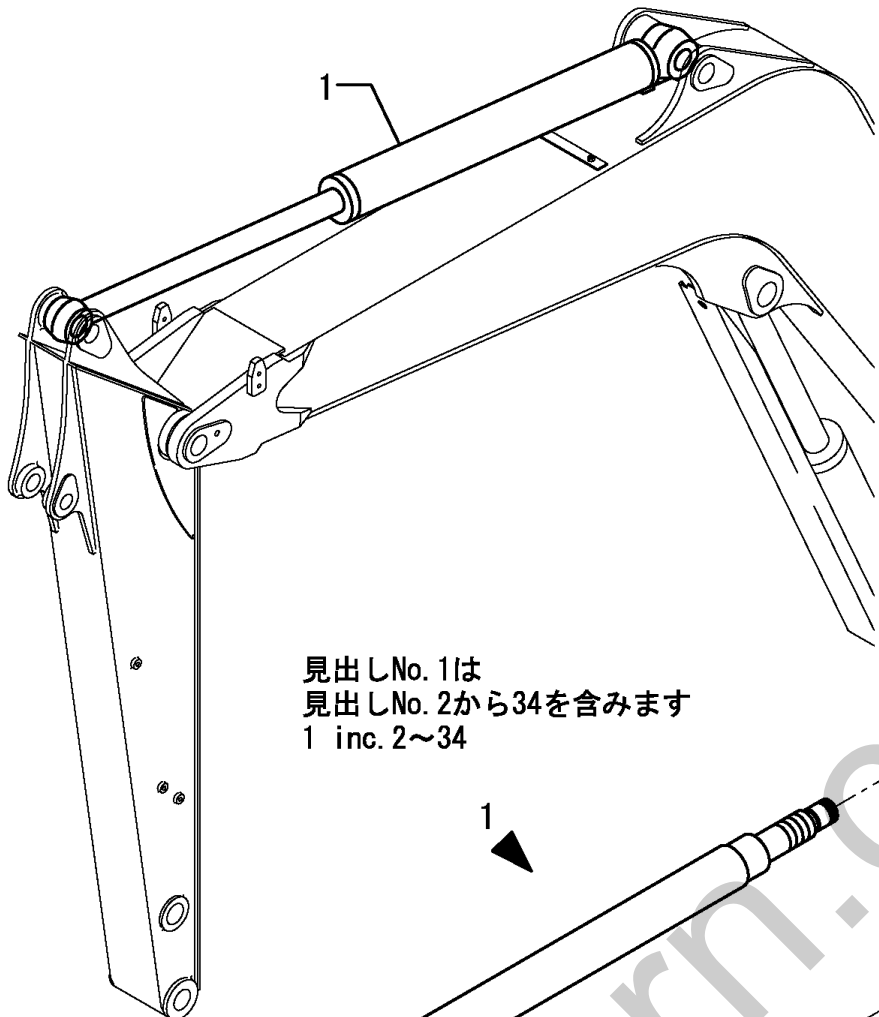
クレーンキット(キャビン)は、項目136を参照下さい。  
CRANE KIT(CABIN) is shown in Fig.136.

172478-08560

クレーンキット(キャノピ)は、項目136を参照下さい。  
CRANE KIT(CANOPY) is shown in Fig.136.

1,1,,172978-72300-1,, "CYLINDER,ARM Q (97)",1,1,,,,,,,,,,,,,I  
2,2,,172020-10510,, "TUBE,ARM (GREEN:97)",1,1,,,,,,,,,,,,,I  
3,3,,172020-10610,, "BUSH 60 75 83",1,1,,,,,,,,,,,,,I  
4,3,,172020-10620,, "SEAL 60 X 75 X 5",2,2,,,,,,,,,,,,,I  
5,2,,172020-10720,, "PISTON 100",1,1,,,,,,,,,,,,,I  
6,2,,172020-10750,, "PLUNGER 48,CUSHION",1,1,,,,,,,,,,,,,I  
7,2,,172020-10760,, "COLLAR, CUSHION",1,1,,,,,,,,,,,,,I  
8,2,,172020-10770,, "SPACER,1,1",1,1,,,,,,,,,,,,,I  
9,2,,172020-10780,, "COVER, STOPPER",1,1,,,,,,,,,,,,,I  
10,2,,172020-10790,, "STOPPER,2,2",,,,,,,,,,,,,,I  
11,2,,172020-10810,, "U-NUT M42 X 3",1,1,,,,,,,,,,,,,I  
12,2,,172478-72110,, "LOD,ARM",1,1,,,,,,,,,,,,,I  
13,3,,172020-10620,, "SEAL 60 X 75 X 5",2,2,,,,,,,,,,,,,I  
14,3,,172020-10680,, "BUSH 60 75 58",1,1,,,,,,,,,,,,,I  
15,2,,172478-72170,, "KIT,CYL SEAL 100X65",1,1,,,,,,,,,,,,,I  
16,3,,172020-10380,, "RING 82,SPRING",1,1,,,,,,,,,,,,,I  
17,3,,172020-10800,, "WASHER 100,LOCK",1,1,,,,,,,,,,,,,I  
18,3,,172020-11650,, "SEAL SET, PISTON",1,1,,,,,,,,,,,,,I  
22,3,,172478-72180,, "KIT,HEAD SEAL 100X65",1,1,,,,,,,,,,,,,I  
29,2,,172478-72190,, "PLUNGER 72,CUSHION",1,1,,,,,,,,,,,,,I  
30,2,,172978-72310,, "HEAD 100 65 ASSY",1,1,,,,,,,,,,,,,I  
31,3,,172020-10320,, "BUSH 65 40",1,1,,,,,,,,,,,,,I  
33,2,,22242-000340,, "CIRCLIP 34",1,1,,,,,,,,,,,,,I  
34,2,,24761-040000,, "NIPPLE B,GREASE",1,1,,,,,,,,,,,,,I

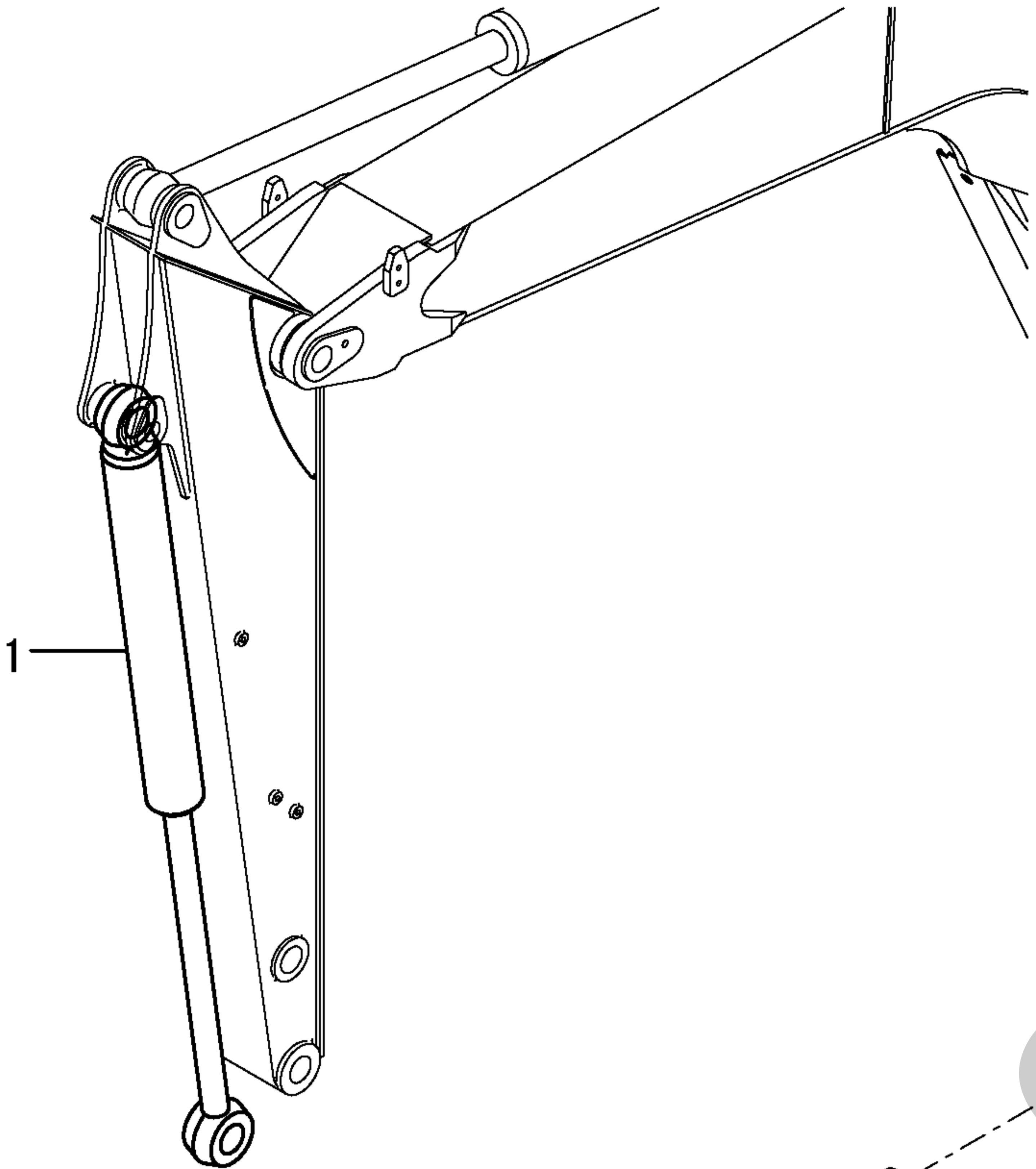




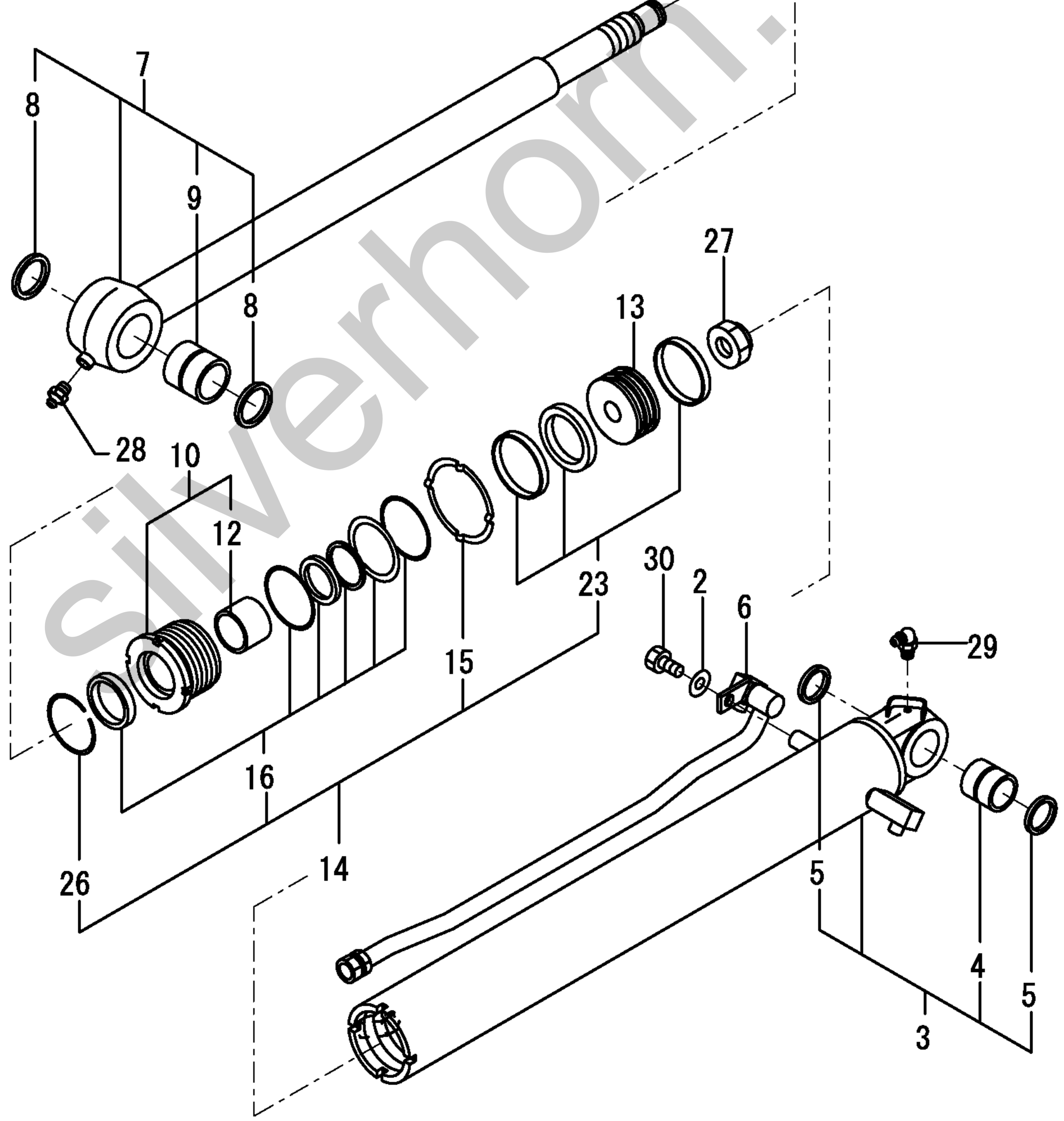
1,1,,172020-10900,, "CYLINDER, BUCKET (97)",1,1,1,.....  
2,2,,194145-04810,, "WASHER 10",1,1,1,.....  
3,2,,172020-10910,, "TUBE, BUCKET(GREEN:97)",1,1,1,.....  
4,3,,172151-72591,, "BUSH 50X60",1,1,1,.....  
5,3,,172165-81760,, "SEAL 50X60X4, DUST",2,2,2,.....  
6,2,,172020-10940,, "TUBE (GREEN:97)",1,1,1,.....  
7,2,,172020-11000,, "ROD, BUCKET",1,1,1,.....  
8,3,,172020-10620,, "SEAL 60 X 75 X 5",2,2,2,.....  
9,3,,172020-11030,, "BUSH 60 58",1,1,1,.....  
10,2,,172020-11040,, "HEAD 90 55",1,1,1,.....  
12,3,,172151-72240,, "BUSH 55 35, ROD",1,1,1,.....  
13,2,,172020-11060,, "PISTON 90",1,1,1,.....  
14,2,,172020-11660,, "SEAL SET 90X55",1,1,1,.....  
15,3,,172020-11070,, "WASHER 90, LOCK",1,1,1,.....  
16,3,,172020-11670,, "SEAL SET 90X55, HEAD",1,1,1,.....  
23,3,,172020-11680,, "SEAL SET 90, PISTON",1,1,1,.....  
26,3,,933126-00500,, "RING 72, SPRING",1,1,1,.....  
27,2,,172151-72270,, "U-NUT M39",1,1,1,.....  
28,2,,24761-020000,, "NIPPLE PT1/8, GREASE",1,1,1,.....  
29,2,,24761-050000,, "NIPPLE C, GREASE",1,1,1,.....  
30,2,,26013-100252,, "BOLT W/WASHER M10X25",1,1,1,.....

Silverhorn.CO.UK



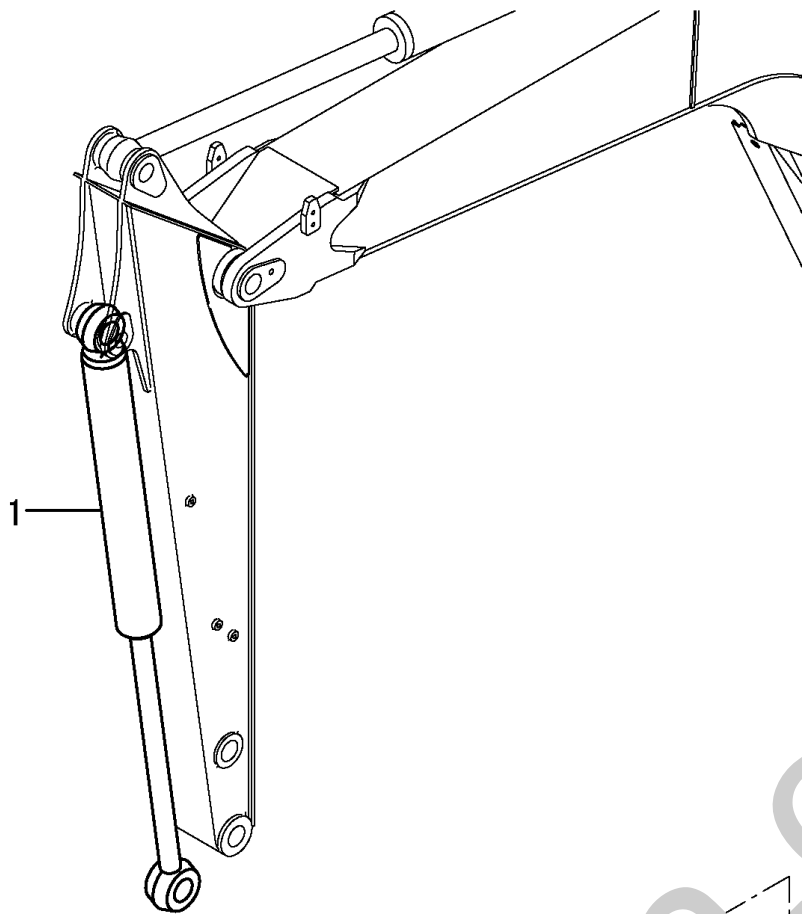


見出しNo. 1は  
見出しNo. 2から30を含みます  
1 inc. 2~30

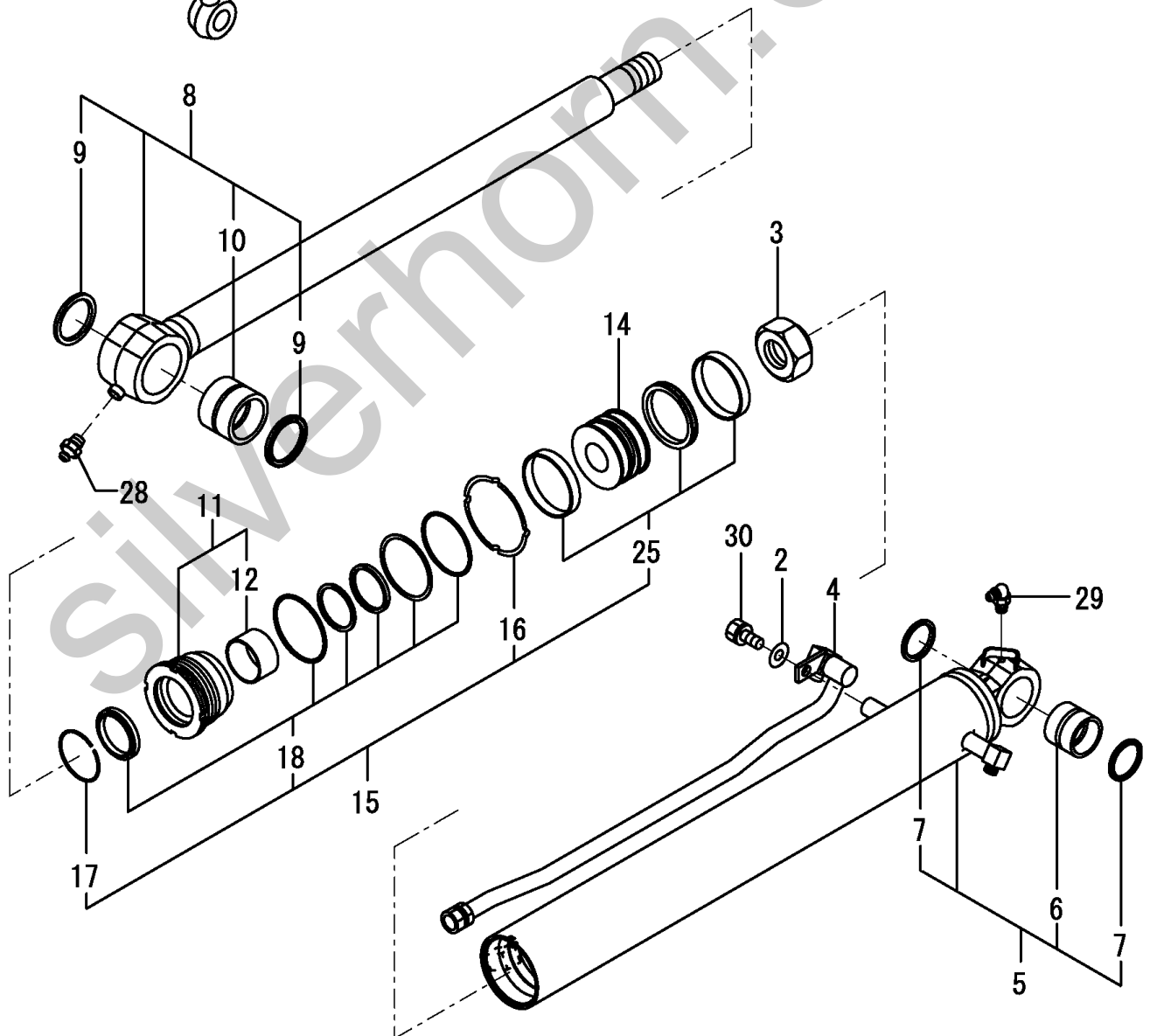


1,1,,172978-72500-1,, "CYLINDER, BUCKET Q(97)",1,,1,,,,,,,,,,,,,,,,,,,,,I  
2,2,,194145-04810,, "WASHER 10",1,,1,,,,,,,,,,,,,,,,,,,,,I  
3,2,,172020-10810,, "U-NUT M42 X 3",1,,1,,,,,,,,,,,,,,,,,,,,,I  
4,2,,172020-10940,, "TUBE (GREEN:97)",1,,1,,,,,,,,,,,,,,,,,,,,,I  
5,2,,172978-72510-1,, "TUBE CMP, BUCKET (97)",1,,1,,,,,,,,,,,,,,,,,,,,,I  
6,3,,172151-72591,, "BUSH 50X60",1,,1,,,,,,,,,,,,,,,,,,,,,I  
7,3,,172165-81760,, "SEAL 50X60X4, DUST",2,,2,,,,,,,,,,,,,,,,,,,,,I  
8,2,,172978-72540,, "ROD, BUCKET",1,,1,,,,,,,,,,,,,,,,,,,,,I  
9,3,,172020-10620,, "SEAL 60 X 75 X 5",2,,2,,,,,,,,,,,,,,,,,,,,,I  
10,3,,172020-11030,, "BUSH 60 58",1,,1,,,,,,,,,,,,,,,,,,,,,I  
11,2,,172978-72570,, "HEAD 95 60",1,,1,,,,,,,,,,,,,,,,,,,,,I  
12,3,,172445-72480,, "ROD BUSH 60 35",1,,1,,,,,,,,,,,,,,,,,,,,,I  
14,2,,172978-72590,, "PISTON 95",1,,1,,,,,,,,,,,,,,,,,,,,,I  
15,2,,172978-72610,, "CYLINDER KIT 95X60",1,,1,,,,,,,,,,,,,,,,,,,,,I  
16,3,,172444-72430,, "LOCK WASHER",1,,1,,,,,,,,,,,,,,,,,,,,,I  
17,3,,172445-72450,, "RING 77",1,,1,,,,,,,,,,,,,,,,,,,,,I  
18,3,,172978-72600,, "HEAD SEAL KIT 95X60",1,,1,,,,,,,,,,,,,,,,,,,,,I  
25,3,,172978-72620,, "SEAL SET 95, PISTON",1,,1,,,,,,,,,,,,,,,,,,,,,I  
28,2,,24761-020000,, "NIPPLE PT1/8, GREASE",1,,1,,,,,,,,,,,,,,,,,,,,,I  
29,2,,24761-050000,, "NIPPLE C, GREASE",1,,1,,,,,,,,,,,,,,,,,,,,,I  
30,2,,26013-100252,, "BOLT W/WASHER M10X25",1,,1,,,,,,,,,,,,,,,,,,,,,I

Silverhorn.CO.UK

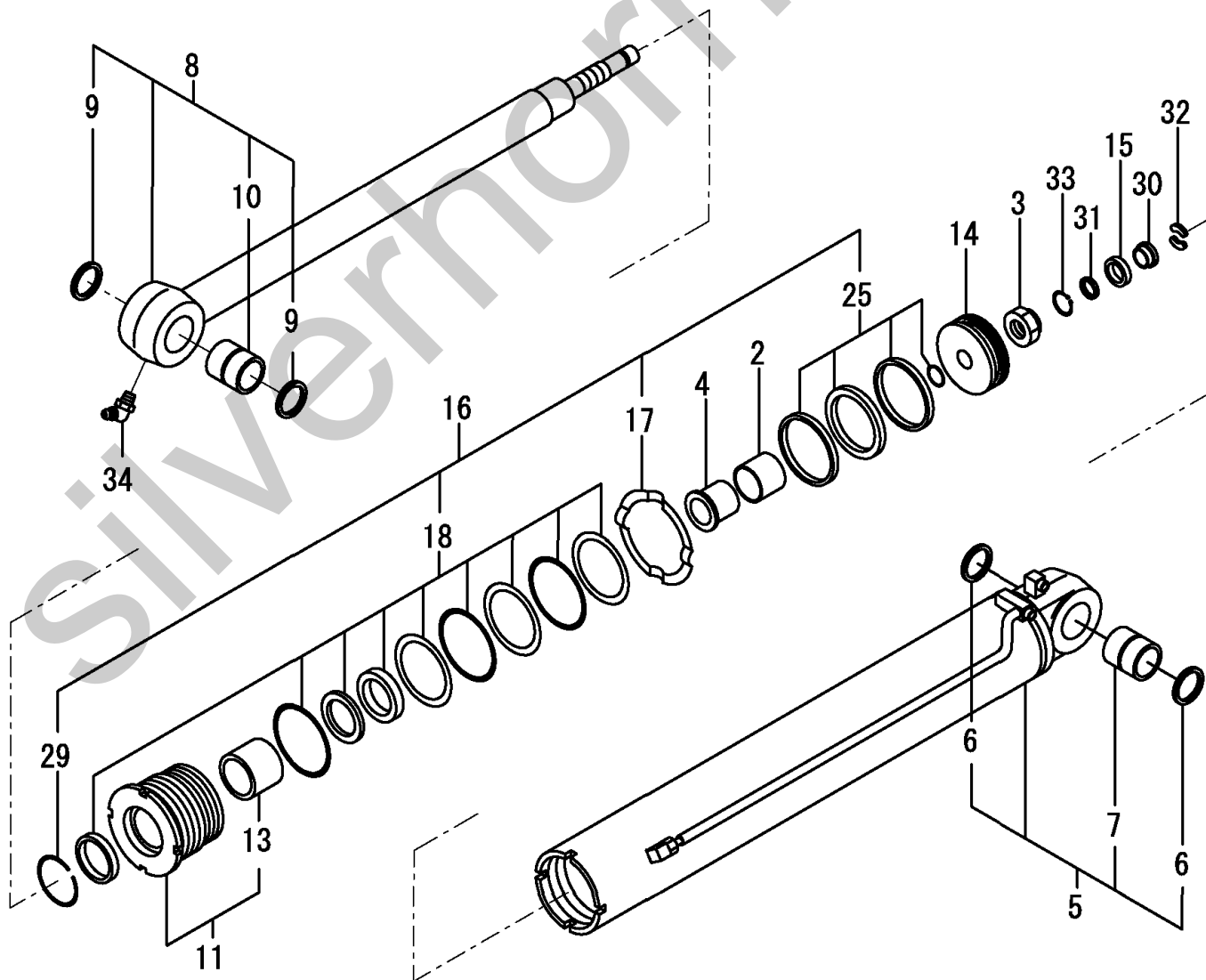
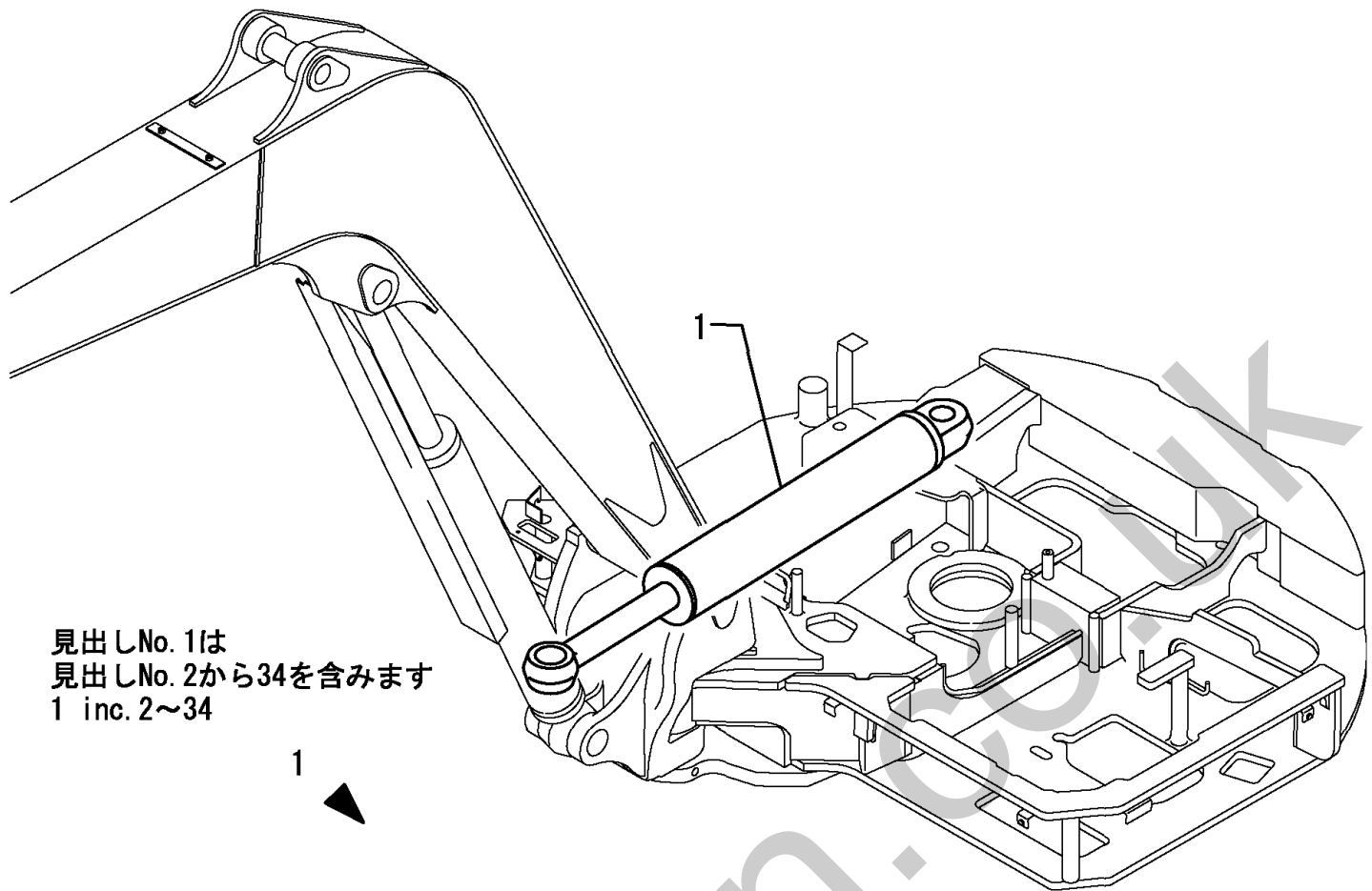


見出しNo. 1は  
見出しNo. 2から30を含みます  
1 inc. 2~30



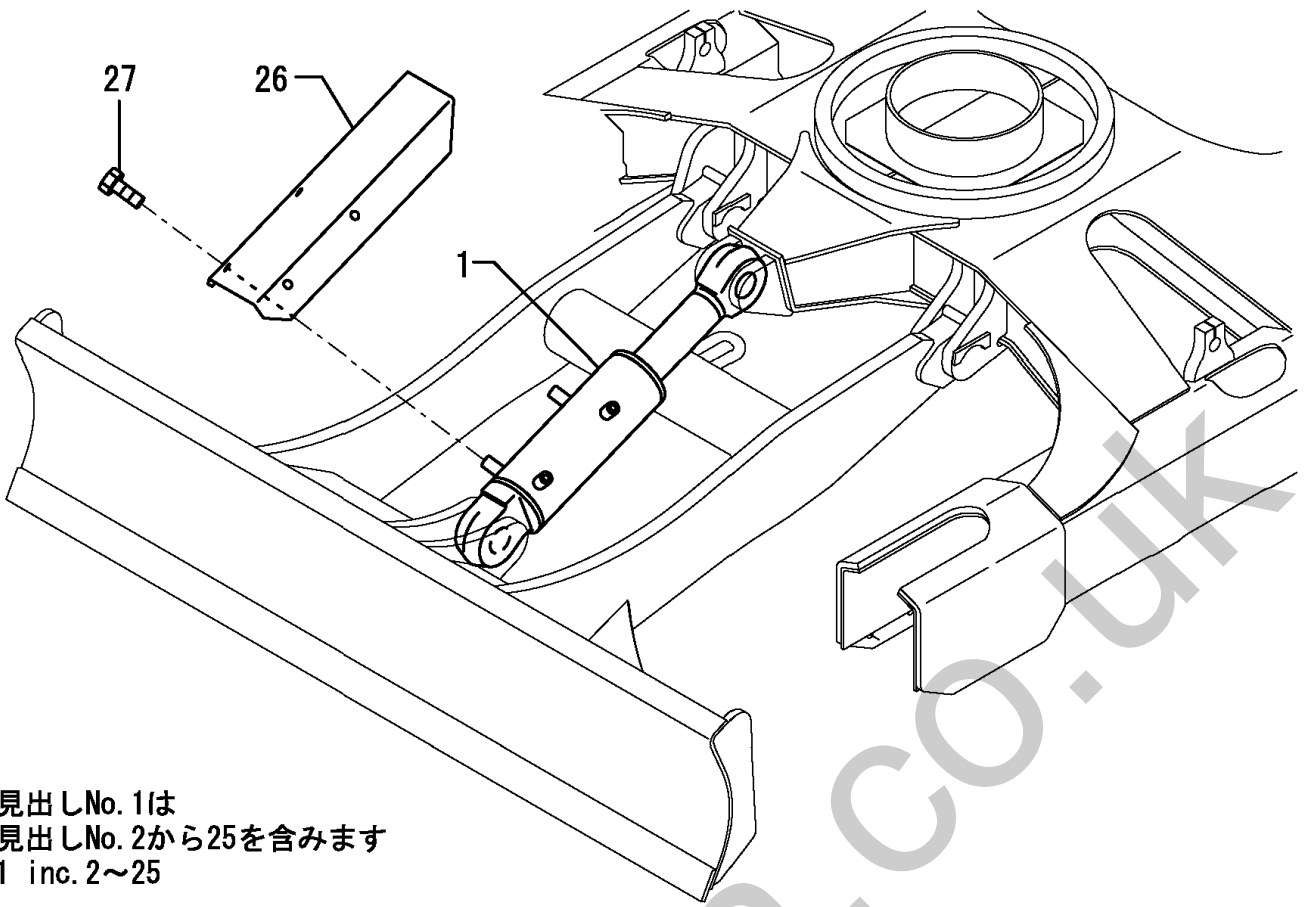
1,1,,172020-11151,, "CYLINDER, SWING (97)",1,1,1,,,,,,,,,,,,,  
2,2,,172020-10730,, "PLUNGER 64A,CUSHION",1,1,1,,,,,,,,,,,,,  
3,2,,172020-10810,, "U-NUT M42 X 3",1,1,1,,,,,,,,,,,,,  
4,2,,172020-10860,, "COLLAR, CUSHION",1,1,1,,,,,,,,,,,,,  
5,2,,172020-11161,, "TUBE, SWING (97)",1,1,1,,,,,,,,,,,,,  
6,3,,172020-10620,, "SEAL 60 X 75 X 5",2,2,2,,,,,,,,,,,,,  
7,3,,172020-11230,, "BUSH 60 63 A",1,1,1,,,,,,,,,,,,,  
8,2,,172020-11250,, "ROD, SWING",1,1,1,,,,,,,,,,,,,  
9,3,,172020-10620,, "SEAL 60 X 75 X 5",2,2,2,,,,,,,,,,,,,  
10,3,,172020-11280,, "BUSH 60 60 B",1,1,1,,,,,,,,,,,,,  
11,2,,172020-11300,, "HEAD CMP 120 60",1,1,1,,,,,,,,,,,,,  
13,3,,172445-72480,, "ROD BUSH 60 35",1,1,1,,,,,,,,,,,,,  
14,2,,172020-11320,, "PISTON 120",1,1,1,,,,,,,,,,,,,  
15,2,,172020-11340,, "RING 44-1.6",1,1,1,,,,,,,,,,,,,  
16,2,,172020-11690,, "KIT, CYL SEAL120X60",1,1,1,,,,,,,,,,,,,  
17,3,,172020-11350,, "ROCK WASHER 120",1,1,1,,,,,,,,,,,,,  
18,3,,172020-11700,, "SET, HEAD SEAL 120X60",1,1,1,,,,,,,,,,,,,  
25,3,,172020-11710,, "SET, PISTON SEAL 120",1,1,1,,,,,,,,,,,,,  
29,3,,172445-72450,, "RING 77",1,1,1,,,,,,,,,,,,,  
30,2,,172423-72520,, "COLLAR",1,1,1,,,,,,,,,,,,,  
31,2,,172423-72530,, "SPACER",1,1,1,,,,,,,,,,,,,  
32,2,,172423-72540,, "STOPPER",2,2,2,,,,,,,,,,,,,  
33,2,,172423-72550,, "CIRCLIP 28",1,1,1,,,,,,,,,,,,,  
34,2,,24761-050000,, "NIPPLE C, GREASE",1,1,1,,,,,,,,,,,,,

Silverhorn.CO.UK

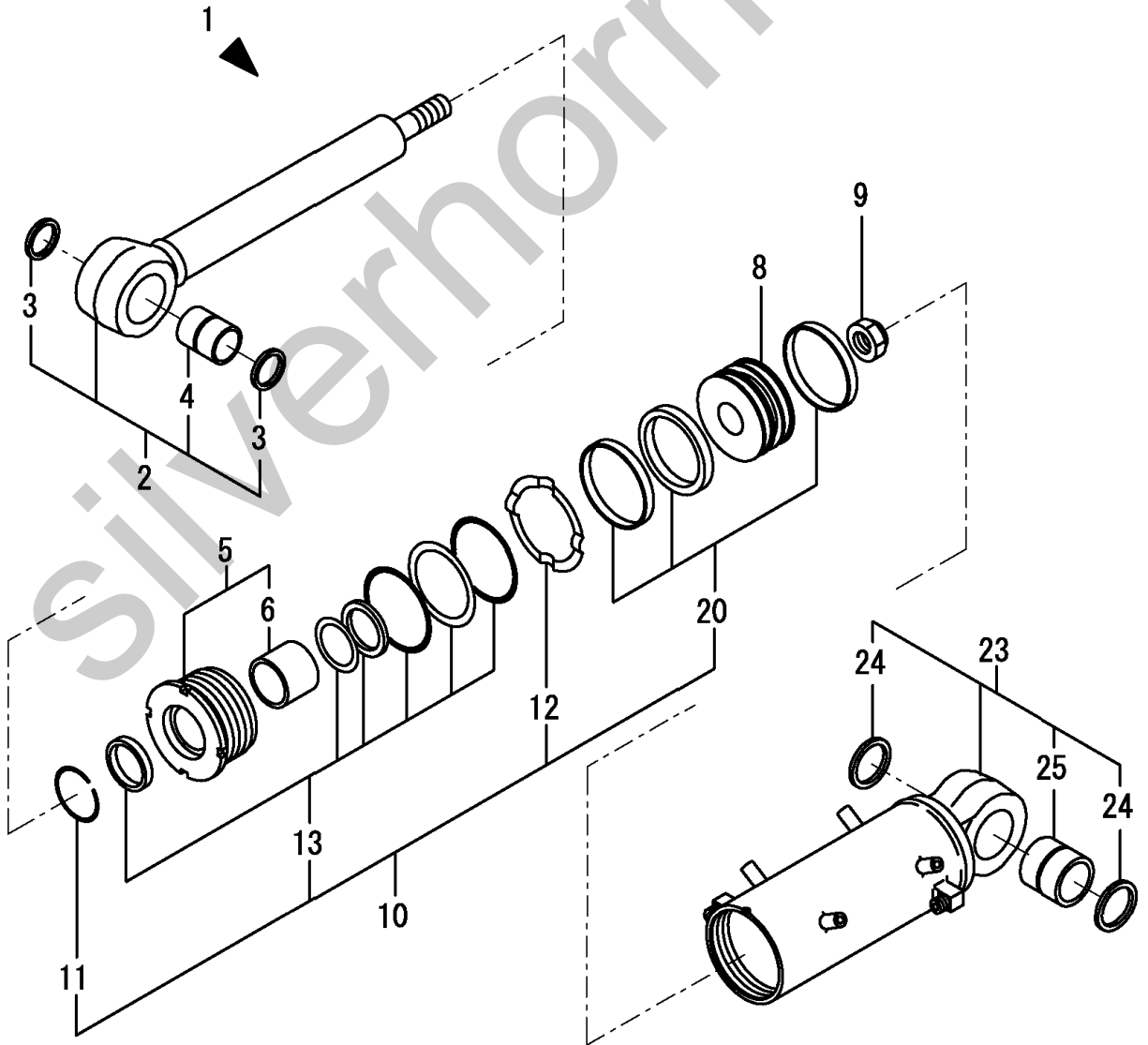


1,1,,172478-72200,, "CYLINDER, BLADE (88)",1,1,1,,,,,,,,,,,,,  
2,2,,172020-11470,, "ROD ASSY, BLADE",1,1,1,,,,,,,,,,,,,  
3,3,,172020-10620,, "SEAL 60 X 75 X 5",2,2,2,,,,,,,,,,,,,  
4,3,,172020-11450,, "BUSH 60 68",1,1,1,,,,,,,,,,,,,  
5,2,,172020-11500,, "HEAD 130 65",1,1,1,,,,,,,,,,,,,  
6,3,,172020-10320,, "BUSH 65 40",1,1,1,,,,,,,,,,,,,  
6-1,3,,24550-065400,, "BUSH  
65X40,DRIVE",1,1,1,,,,,R,,A1686116,M/#20613,A1686116,M/#20613,,,,,,I  
8,2,,172020-11520,, "PISTON 130",1,1,1,,,,,,,,,,,,,  
9,2,,172020-11540,, "U-NUT M48X3",1,1,1,,,,,,,,,,,,,  
10,2,,172020-11720,, "SEAL SET 130X65,CYL.",1,1,1,,,,,,,,,,,,,  
11,3,,172020-10380,, "RING 82,SPRING",1,1,1,,,,,,,,,,,,,  
12,3,,172020-11530,, "WASHER 130,LOCK",1,1,1,,,,,,,,,,,,,  
13,3,,172020-11730,, "SEAL SET 130X65,HEAD",1,1,1,,,,,,,,,,,,,  
20,3,,172020-11740,, "SEAL SET 130,PISTON",1,1,1,,,,,,,,,,,,,  
23,2,,172478-72210,, "TUBE, BLADE(GREEN:88)",1,1,1,,,,,,,,,,,,,  
24,3,,172020-10620,, "SEAL 60 X 75 X 5",2,2,2,,,,,,,,,,,,,  
25,3,,172020-11450,, "BUSH 60 68",1,1,1,,,,,,,,,,,,,  
26,1,,172187-72891,, "COVER, ASSY. BLADE(88)",1,1,1,,,,,,,,,,,,,  
27,1,,26014-100202,, "BOLT M10X 20",4,4,4,,,,,,,,,,,,,

Silverhorn.CO.UK



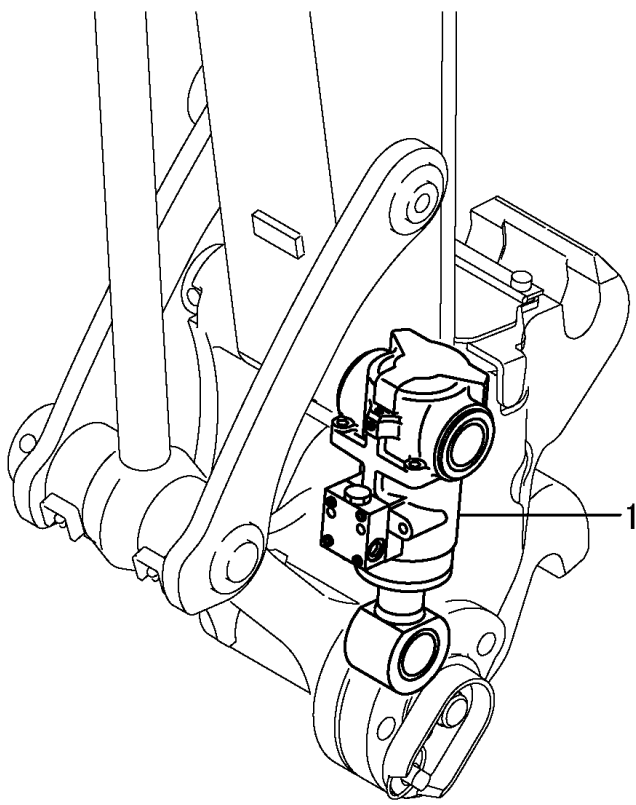
見出しNo. 1は  
見出しNo. 2から25を含みます  
1 inc. 2~25



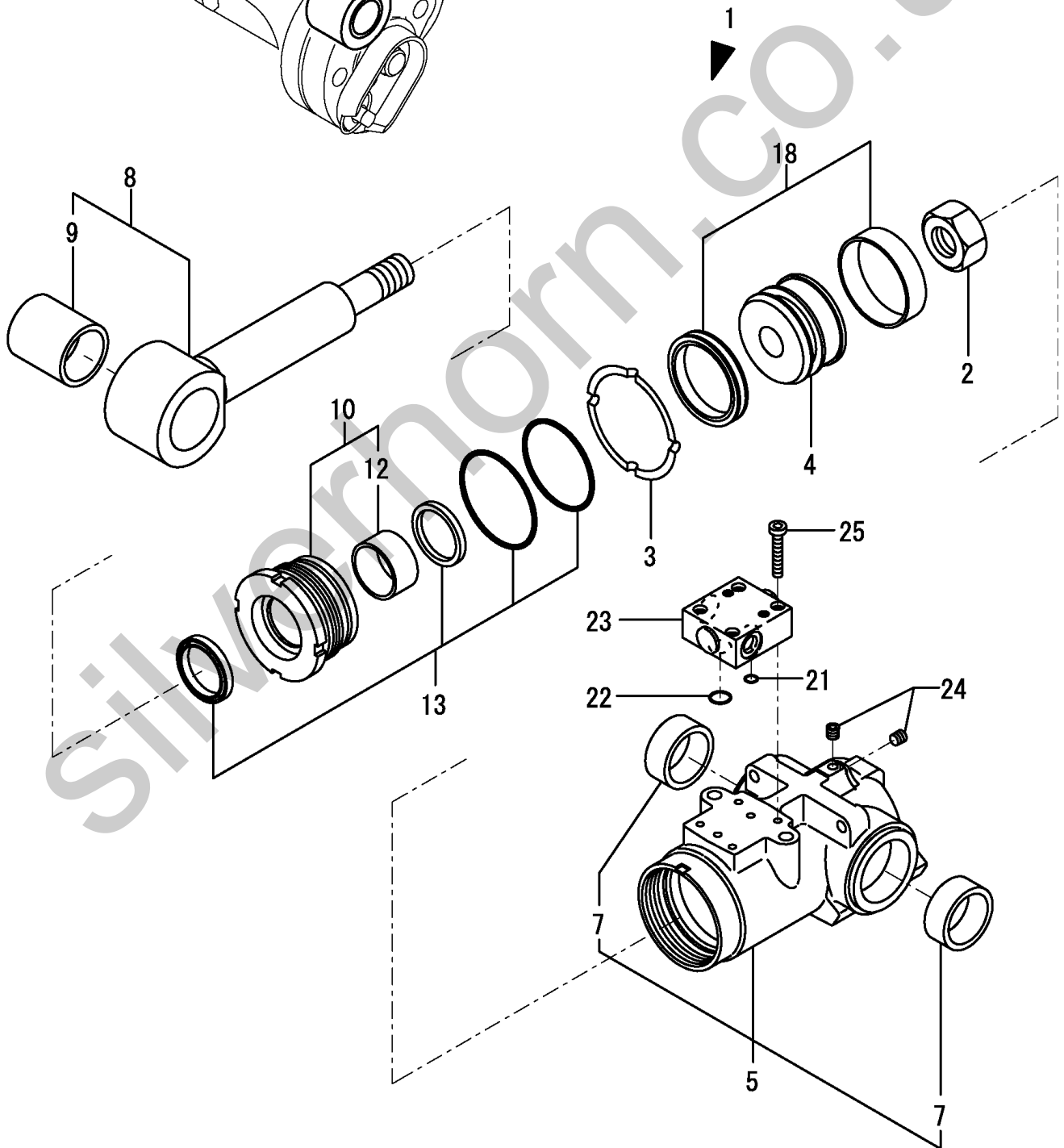
1,1,,172978-72800-1,,,"CYLINDER,HITCH (97)",1,1,,,,,,,,,,,,,,,,,,,,,I  
2,2,,172141-72250,,,"U-NUT M27",1,1,,,,,,,,,,,,,,,,,,,,,I  
3,2,,172142-72260,,,"WASHER 80 B",1,1,,,,,,,,,,,,,,,,,,,,,I  
4,2,,172175-72480,,,"PISTON 80",1,1,,,,,,,,,,,,,,,,,,,,,I  
5,2,,172978-72810,,,"TUBE,HITCH(YELLOW:87",1,1,,,,,,,,,,,,,,,,,,,,,I  
7,3,,172978-72890,,,"BUSH 45-55-22",2,2,,,,,,,,,,,,,,,,,,,,,I  
8,2,,172978-72830,,,"ROD,HITCH",1,1,,,,,,,,,,,,,,,,,,,,,I  
9,3,,172151-71630,,,"BUSH 45 60",1,1,,,,,,,,,,,,,,,,,,,,,I  
10,2,,172978-72860,,,"HEAD 80 45",1,1,,,,,,,,,,,,,,,,,,,,,I  
12,3,,24550-045250,,,"BEARING, 45 X 25",1,1,,,,,,,,,,,,,,,,,,,,,I  
13,2,,172978-72920,,,"HEAD SEAL SET 80X45",1,1,,,,,,,,,,,,,,,,,,,,,I  
18,2,,172142-72951,,,"SEAL SET, PISTON",1,1,,,,,,,,,,,,,,,,,,,,,I  
21,2,,172958-72950,,,"O-RING P8",1,1,,,,,,,,,,,,,,,,,,,,,I  
22,2,,172958-72960,,,"O-RING P14",1,1,,,,,,,,,,,,,,,,,,,,,I  
23,2,,172958-72982,,,"CHECK VALVE(GREEN:97",1,1,,,,,,,,,,,,,,,,,,,,,I  
24,2,,23871-005000,,,"PLUG PT 1/16",2,2,,,,,,,,,,,,,,,,,,,,,I  
25,2,,26450-060352,,,"BOLT M 6X 35",4,4,,,,,,,,,,,,,,,,,,,,,I

Silverhorn.CO.UK





見出しNo. は  
見出しNo. 2~25を含みます  
1 INC. 2~25.

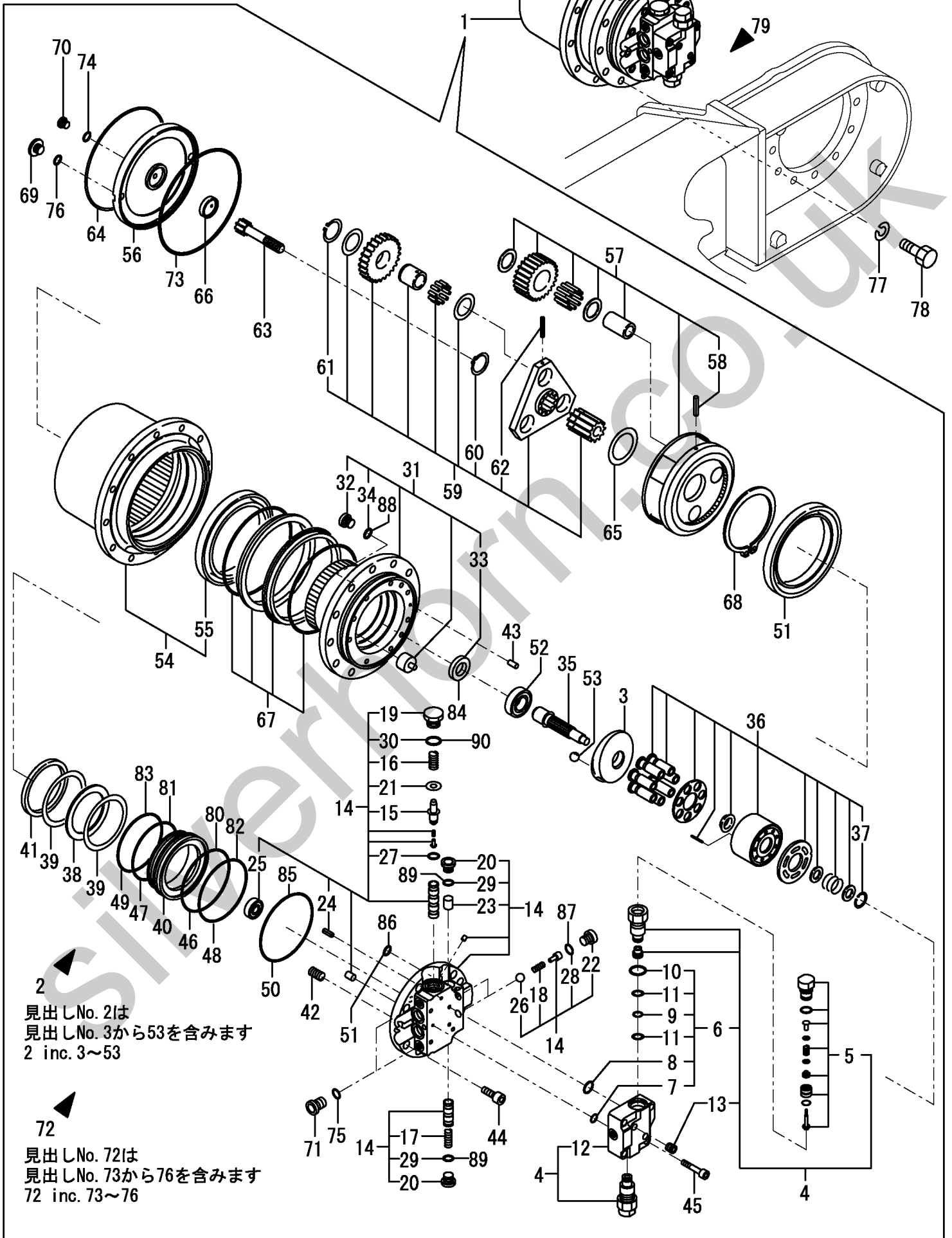


1,1,,172455-73300,, "MOTOR, TRAVEL ASSY",2,2,,,,,,,,,,,,,,,,,,,,,  
1-1,1,,172455-73301,, "MOTOR, TRAVEL  
ASSY",2,2,2,,,N,,72455388,M/#20613,72455388,M/#20613,,,,,,,,,,,,,I  
2,2,,172455-73310,, "MOTOR,TRAVEL",2,2,2,,,,,,,,,,,,,,,,,,,,,I  
3,3,,172455-73320,,PLATE,2,2,2,,,,,,,,,,,,,,,,,,,,,I  
4,3,,172455-73330,, "RELIEF VALVE",2,2,2,,,,,,,,,,,,,,,,,,,,,  
5,4,,172455-73340,, "RELIEF CARTRIDGE",8,8,8,,,,,,,,,,,,,,,,,,,,,  
6,4,,172455-73350,, "SEAL KIT",8,8,8,,,,,,,,,,,,,,,,,,,,,  
7,4,,24315-000120,, "O-RING 1B P-12.0",4,4,4,,,,,,,,,,,,,,,,,,,,,  
8,4,,24315-000070,, "O-RING 1B P-7.0",2,2,2,,,,,,,,,,,,,,,,,,,,,  
9,4,,24315-000150,, "O-RING 1B P-15.0",4,4,4,,,,,,,,,,,,,,,,,,,,,  
10,4,,24315-000280,, "O-RING 1B P-28.0",4,4,4,,,,,,,,,,,,,,,,,,,,,  
11,4,,172455-73360,, "BACK UP RING",8,8,8,,,,,,,,,,,,,,,,,,,,,  
12,4,,172187-73940,,BODY,2,2,2,,,,,,,,,,,,,,,,,,,,,I  
13,4,,172187-73960,,PLUG,4,4,4,,,,,,,,,,,,,,,,,,,,,I  
14,3,,172187-73610,, "BODY-1 KIT",2,2,2,,,,,,,,,,,,,,,,,,,,,I  
15,4,,172187-73620,, "GUIDE SPRING",4,4,4,,,,,,,,,,,,,,,,,,,,,I  
16,4,,172187-73630,, "SPRING V2",4,4,4,,,,,,,,,,,,,,,,,,,,,I  
17,4,,172187-73640,, "SPRING V3",2,2,2,,,,,,,,,,,,,,,,,,,,,I  
18,4,,172187-73650,,SPRING,4,4,4,,,,,,,,,,,,,,,,,,,,,I  
19,4,,172187-73660,,PLUG,4,4,4,,,,,,,,,,,,,,,,,,,,,I  
20,4,,172187-73670,,PLUG,4,4,4,,,,,,,,,,,,,,,,,,,,,I  
21,4,,172187-73680,,LINK,4,4,4,,,,,,,,,,,,,,,,,,,,,I  
22,4,,172187-73690,,PLUG,4,4,4,,,,,,,,,,,,,,,,,,,,,I  
23,4,,172187-73740,,SPACER,2,2,2,,,,,,,,,,,,,,,,,,,,,I  
24,4,,22351-060016,, "SPRING PIN 6X16",2,2,2,,,,,,,,,,,,,,,,,,,,,I  
25,4,,24101-063020,, "BEARING 6302C3",2,2,2,,,,,,,,,,,,,,,,,,,,,I  
26,4,,24190-070001,, "BALL 7/32",4,4,4,,,,,,,,,,,,,,,,,,,,,I  
27,4,,24311-000125,, "O-RING 1A P-12.5",4,4,4,,,,,,,,,,,,,,,,,,,,,  
28,4,,24315-000080,, "O-RING 1B P-8.0",4,4,4,,,,,,,,,,,,,,,,,,,,,  
29,4,,24315-000140,, "O-RING 1B P-14.0",4,4,4,,,,,,,,,,,,,,,,,,,,,  
30,4,,24315-000250,, "O-RING 1B P-25.0",4,4,4,,,,,,,,,,,,,,,,,,,,,  
31,3,,172187-73750,, "BODY-2 KIT",2,2,2,,,,,,,,,,,,,,,,,,,,,I  
32,4,,172187-73690,,PLUG,2,2,2,,,,,,,,,,,,,,,,,,,,,I  
33,4,,172187-73770,,SEAL,2,2,2,,,,,,,,,,,,,,,,,,,,,  
34,4,,24315-000080,, "O-RING 1B P-8.0",2,2,2,,,,,,,,,,,,,,,,,,,,,  
35,3,,172187-73780,,SHAFT,2,2,2,,,,,,,,,,,,,,,,,,,,,I  
36,3,,172187-73790,, "CYLINDER BARREL KIT",2,2,2,,,,,,,,,,,,,,,,,,,,,I  
37,4,,22252-000350,, "CIRCLIP 35",2,2,2,,,,,,,,,,,,,,,,,,,,,I  
38,3,,172187-73840,, "DISC PLATE",2,2,2,,,,,,,,,,,,,,,,,,,,,I  
39,3,,172187-73850,,PLATE,4,4,4,,,,,,,,,,,,,,,,,,,,,I  
40,3,,172187-73860,, "BRAKE PISTON",2,2,2,,,,,,,,,,,,,,,,,,,,,I  
41,3,,172187-73870,, "BRAKE SPACER",2,2,2,,,,,,,,,,,,,,,,,,,,,I  
42,3,,172187-73880,, "SPRING B",16,16,16,,,,,,,,,,,,,,,,,,,,,I  
43,3,,172187-73890,,PIN,2,2,2,,,,,,,,,,,,,,,,,,,,,I  
44,3,,172187-73900,,BOLT,22,22,22,,,,,,,,,,,,,,,,,,,,,I  
45,3,,172187-73930,,BOLT,8,8,8,,,,,,,,,,,,,,,,,,,,,I  
46,3,,172187-73010,,O-RING,2,2,2,,,,,,,,,,,,,,,,,,,,,  
47,3,,172187-73020,,O-RING,2,2,2,,,,,,,,,,,,,,,,,,,,,  
48,3,,172187-73030,,RING,2,2,2,,,,,,,,,,,,,,,,,,,,,  
49,3,,172187-73040,,RING,2,2,2,,,,,,,,,,,,,,,,,,,,,  
50,3,,172187-73910,,O-RING,2,2,2,,,,,,,,,,,,,,,,,,,,,  
51,3,,24315-000070,, "O-RING 1B P-7.0",4,4,4,,,,,,,,,,,,,,,,,,,,,  
52,3,,24101-062064,, "BALL BEARING 6206",2,2,2,,,,,,,,,,,,,,,,,,,,,I  
53,3,,24190-200001,, "BALL 5/8",4,4,4,,,,,,,,,,,,,,,,,,,,,I  
54,2,,172187-73450,, "BODY KIT",2,2,2,,,,,,,,,,,,,,,,,,,,,I  
55,3,,172187-73460,,BEARING,4,4,4,,,,,,,,,,,,,,,,,,,,,I  
56,2,,172187-73470,,COVER,2,2,2,,,,,,,,,,,,,,,,,,,,,I  
57,2,,172187-73480,, "CARRIER-1 KIT",2,2,2,,,,,,,,,,,,,,,,,,,,,I  
58,3,,22351-060032,, "SPRING PIN 6X32",8,8,8,,,,,,,,,,,,,,,,,,,,,I  
59,2,,172187-73490,, "CARRIER-2 KIT",2,2,2,,,,,,,,,,,,,,,,,,,,,I  
60,3,,22242-000380,, "CIRCLIP 38",2,2,2,,,,,,,,,,,,,,,,,,,,,I  
61,3,,22242-000400,, "CIRCLIP 40",6,6,6,,,,,,,,,,,,,,,,,,,,,I

62,3,,22351-050032,, "SPRING PIN 5X32",6,6,6,,,,,,,,,,,,,I  
63,2,,172187-73500,, "S-2 GEAR",2,2,2,,,,,,,,,,,,,I  
64,2,,172187-73510,, RING,2,2,2,,,,,,,,,,,,,I  
65,2,,172187-73520,, "THRUST WASHER",2,2,2,,,,,,,,,,,,,I  
66,2,,172187-73530,, "SLIDE RING",2,2,2,,,,,,,,,,,,,I  
67,2,,172187-73540,, SEAL,4,4,4,,,,,,,,,,,,,  
68,2,,172187-73550,, "SNAP RING",2,2,2,,,,,,,,,,,,,I  
69,2,,172187-73570,, PLUG,4,4,4,,,,,,,,,,,,,I  
70,2,,172187-73580,, PLUG,2,2,2,,,,,,,,,,,,,I  
71,2,,172187-73600,, PLUG,4,4,4,,,,,,,,,,,,,I  
72,2,,172187-73970,, "SEAL KIT",2,2,2,,,,,,,,,,,,,  
73,3,,172187-73560,, O-RING,2,2,2,,,,,,,,,,,,,  
74,3,,24315-000080,, "O-RING 1B P-8.0",2,2,2,,,,,,,,,,,,,  
75,3,,24315-000110,, "O-RING 1B P-11.0",4,4,4,,,,,,,,,,,,,  
76,3,,24315-000140,, "O-RING 1B P-14.0",4,4,4,,,,,,,,,,,,,  
77,1,,22217-160000,, "SPRING WASHER 16",24,24,24,,,,,,,,,,,,,  
78,1,,26116-160452,, "BOLT M16X 45 PLATED",24,24,24,,,,,,,,,,,,,  
79,1,,172187-73980,, "SEAL KIT",2,2,2,,,,,,,,,,,,,  
80,2,,172187-73010,, O-RING,2,2,2,,,,,,,,,,,,,  
81,2,,172187-73020,, O-RING,2,2,2,,,,,,,,,,,,,  
82,2,,172187-73030,, RING,2,2,2,,,,,,,,,,,,,  
83,2,,172187-73040,, RING,2,2,2,,,,,,,,,,,,,  
84,2,,172187-73770,, SEAL,2,2,2,,,,,,,,,,,,,  
85,2,,172187-73910,, O-RING,2,2,2,,,,,,,,,,,,,  
86,2,,24315-000070,, "O-RING 1B P-7.0",4,4,4,,,,,,,,,,,,,  
87,2,,24315-000080,, "O-RING 1B P-8.0",4,4,4,,,,,,,,,,,,,  
88,2,,24315-000080,, "O-RING 1B P-8.0",2,2,2,,,,,,,,,,,,,  
89,2,,24315-000140,, "O-RING 1B P-14.0",4,4,4,,,,,,,,,,,,,  
90,2,,24315-000250,, "O-RING 1B P-25.0",4,4,4,,,,,,,,,,,,,



見出しNo. 79は  
見出しNo. 80から90を含みます  
79 inc. 80~90



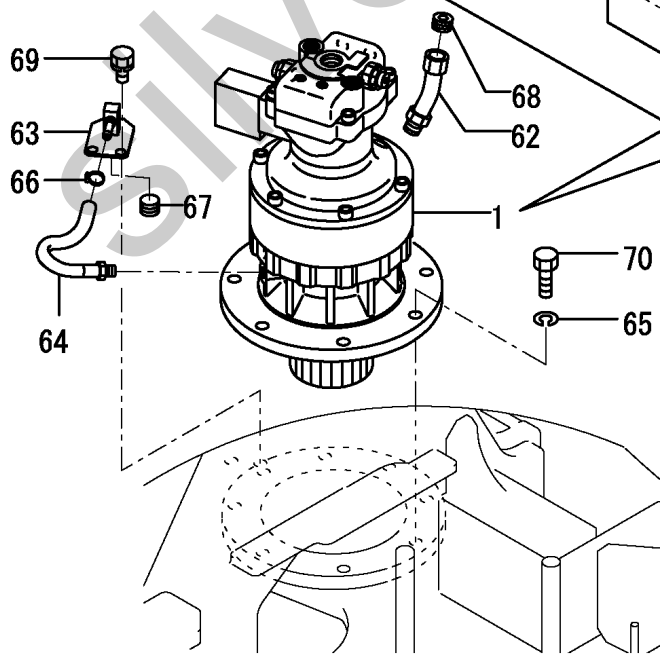
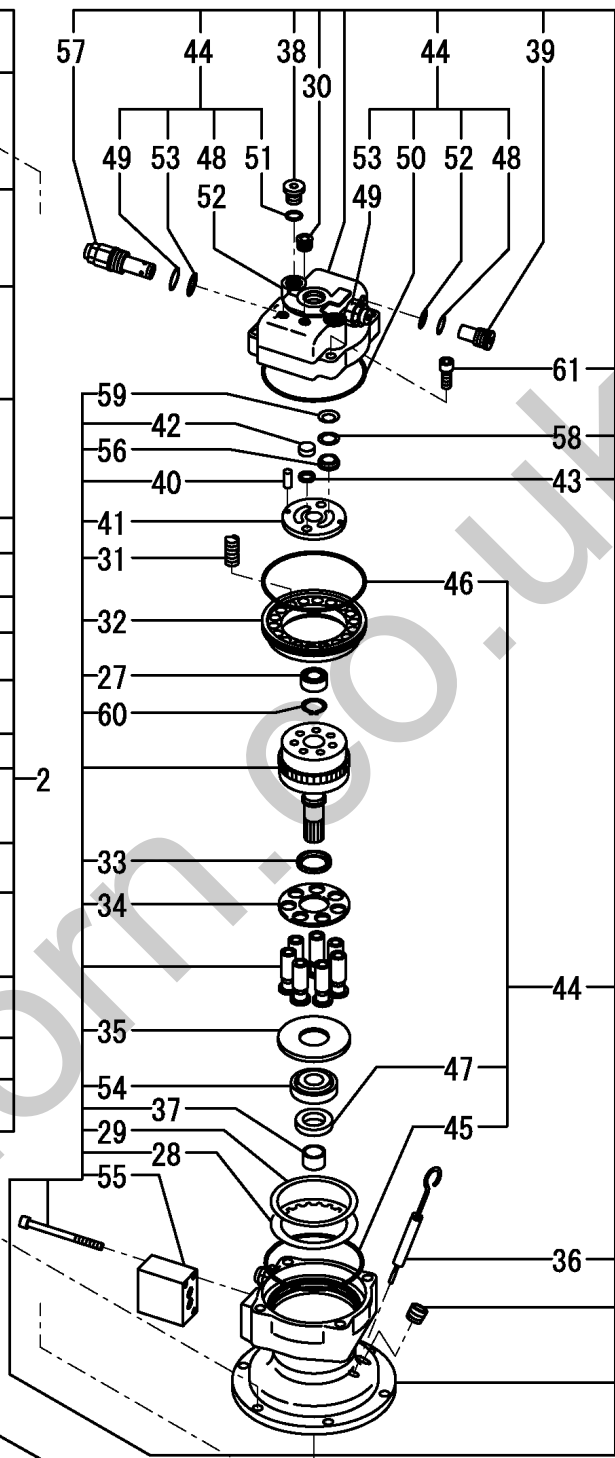
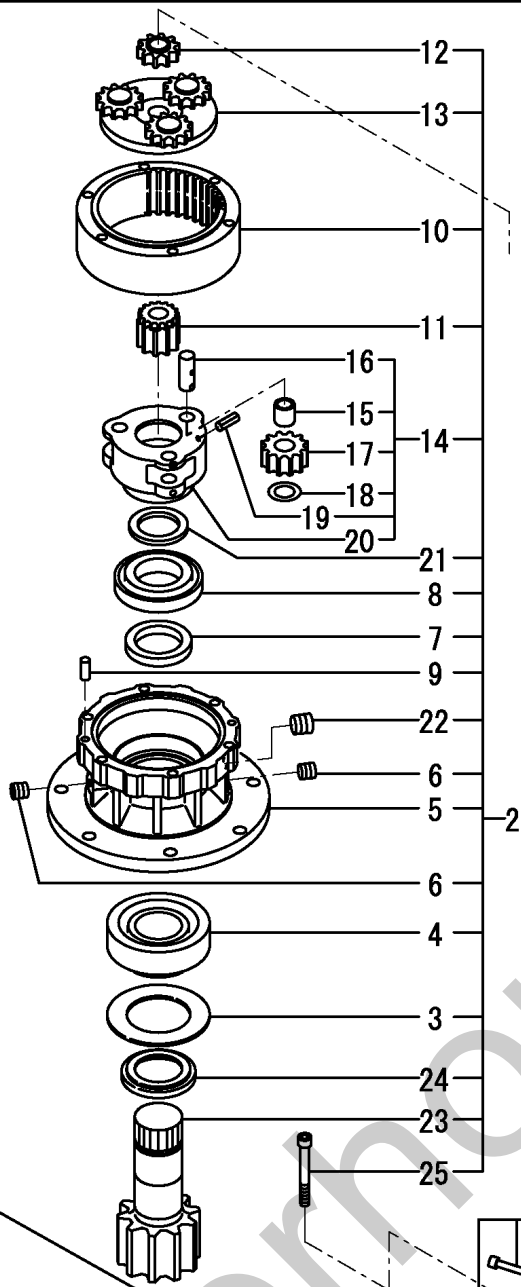
見出しNo. 2は  
見出しNo. 3から53を含みます  
2 inc. 3~53

見出しNo. 72は  
見出しNo. 73から76を含みます  
72 inc. 73~76

1,1,,172187-73311,, "MOTOR ASSY, TURNING",1,1,1,,,,,,,,,,,,,  
2,2,,172187-73370,, "REDUCTION GEAR",1,1,1,,,,,,,,,,,,,  
3,3,,172162-71480,, PLATE,1,1,1,,,,,,,,,,,,,I  
4,3,,172162-71490,, "BEARING,TAPER ROLLER",1,1,1,,,,,,,,,,,,,  
5,3,,172162-71500,, "GEAR CASE",1,1,1,,,,,,,,,,,,,I  
6,3,,172162-71510,, "PLUG PT1/8",2,2,2,,,,,,,,,,,,,I  
7,3,,172162-71520,, "SEAL,OIL",1,1,1,,,,,,,,,,,,,  
8,3,,172162-71530,, "BEARING,TAPER ROLLER",1,1,1,,,,,,,,,,,,,  
9,3,,172162-71540,, PIN,2,2,2,,,,,,,,,,,,,I  
10,3,,172162-71550,, "GEAR,RING",1,1,1,,,,,,,,,,,,,I  
11,3,,172162-71560,, "GEAR 4,SPUR",1,1,1,,,,,,,,,,,,,I  
12,3,,172162-71570,, "GEAR,SUN",1,1,1,,,,,,,,,,,,,I  
13,3,,172162-71580,, "HOLDER 1 COMPL.",1,1,1,,,,,,,,,,,,,I  
14,3,,172162-71590,, "HOLDER 2 COMPL.",1,1,1,,,,,,,,,,,,,I  
15,4,,172162-71600,, "BUSH 2",3,3,3,,,,,,,,,,,,,I  
16,4,,172162-71610,, "SHAFT 2",3,3,3,,,,,,,,,,,,,I  
17,4,,172162-71620,, "SPUR GEAR 5",3,3,3,,,,,,,,,,,,,I  
18,4,,172162-71630,, "THRUST PLATE",3,3,3,,,,,,,,,,,,,I  
19,4,,172162-71640,, "SPRING PIN",3,3,3,,,,,,,,,,,,,I  
20,4,,172162-71650,, "HOLDER 2",1,1,1,,,,,,,,,,,,,I  
21,3,,172162-71660,, COLLAR,2,2,2,,,,,,,,,,,,,I  
22,3,,172162-71670,, "PLUG PT3/8",1,1,1,,,,,,,,,,,,,I  
23,3,,172187-73380,, SHAFT,1,1,1,,,,,,,,,,,,,  
24,3,,172187-73390,, COLLAR,1,1,1,,,,,,,,,,,,,I  
25,3,,26450-120952,, "BOLT M12X95,HEX.SCKT",6,6,6,,,,,,,,,,,,,  
26,2,,172187-73411,, "MOTOR ASSY, HYD.OIL",1,1,1,,,,,,,,,,,,,  
27,3,,172162-71711,, "BEARING, NEEDLE",1,1,1,,,,,,,,,,,,,  
28,3,,172162-71720,, "PLATE, FRICTION",1,1,1,,,,,,,,,,,,,I  
29,3,,172162-71730,, PLATE,1,1,1,,,,,,,,,,,,,I  
30,3,,172162-71780,, "PLUG PT1/4",2,2,2,,,,,,,,,,,,,I  
31,3,,172162-71820,, SPRING,18,18,18,,,,,,,,,,,,,I  
32,3,,172162-71830,, PISTON,1,1,1,,,,,,,,,,,,,I  
33,3,,172162-71850,, SPRING,1,1,1,,,,,,,,,,,,,I  
34,3,,172162-71860,, "PLATE,RETURN",1,1,1,,,,,,,,,,,,,I  
35,3,,172162-71870,, "PLATE,CAM",1,1,1,,,,,,,,,,,,,I  
36,3,,172162-71880,, "GAUGE COMP. LEVEL",1,1,1,,,,,,,,,,,,,  
37,3,,172162-71900,, COLLAR,1,1,1,,,,,,,,,,,,,I  
38,3,,172162-71910,, CAP,1,1,1,,,,,,,,,,,,,I  
39,3,,172162-71920,, "VALVE COMP. BYPASS",2,2,2,,,,,,,,,,,,,I  
40,3,,172162-71960,, "PIN,STRAIGHT",2,2,2,,,,,,,,,,,,,I  
41,3,,172176-73351,, "BALANCE PLATE",1,1,1,,,,,,,,,,,,,I  
42,3,,172176-73360,, PISTON,2,2,2,,,,,,,,,,,,,I  
43,3,,172176-73370,, "TEFLON RING",2,2,2,,,,,,,,,,,,,  
44,3,,172187-73420,, "SEAL KIT",1,1,1,,,,,,,,,,,,,  
45,4,,172162-71740,, O-RING,1,1,1,,,,,,,,,,,,,  
46,4,,172162-71760,, O-RING,1,1,1,,,,,,,,,,,,,  
47,4,,172162-71890,, "OIL SEAL",1,1,1,,,,,,,,,,,,,  
48,4,,172162-71930,, RING,2,2,2,,,,,,,,,,,,,  
49,4,,172162-71950,, "RING, BACK UP",2,2,2,,,,,,,,,,,,,  
50,4,,172164-73860,, O-RING,1,1,1,,,,,,,,,,,,,  
51,4,,24315-000140,, "O-RING 1B P-14.0",1,1,1,,,,,,,,,,,,,  
52,4,,24315-000210,, "O-RING 1B P 21",2,2,2,,,,,,,,,,,,,  
53,4,,24315-000260,, "O-RING 1B P-26.0",2,2,2,,,,,,,,,,,,,  
54,3,,172165-73430,, BEARING,1,1,1,,,,,,,,,,,,,  
55,3,,172187-73430,, TIMER,1,1,1,,,,,,,,,,,,,I  
56,3,,172165-73441,, BUSHING,4,4,4,,,,,,,,,,,,,I  
57,3,,172187-73440,, "RELIEF, 210-60",2,2,2,,,,,,,,,,,,,  
58,3,,172165-73451,, "TEFLON RING",4,4,4,,,,,,,,,,,,,  
59,3,,172165-73461,, WAVE,4,4,4,,,,,,,,,,,,,I  
60,3,,172165-73480,, "SNAP RING",1,1,1,,,,,,,,,,,,,I  
61,3,,26450-120302,, "BOLT M12X30",4,4,4,,,,,,,,,,,,,  
62,1,,172187-73340,, "FUEL PIPE",1,1,1,,,,,,,,,,,,,  
63,1,,172455-76130,, DRAIN,1,1,1,,,,,,,,,,,,,

64,1,,172455-78120,, "HOSE G806AY032",1,1,1,,,,,,,,,,,,,  
65,1,,22217-160000,, "SPRING WASHER 16",8,8,8,,,,,,,,,,,,,  
66,1,,23000-016000,, "CLAMP 16",1,1,,,,,,,,,,,,,  
66-1,1,,23001-016000,, "HOSE CLAMP  
16",1,1,1,,,N,,72446124,M/#20613,72446124,M/#20613,,,,,,,,,I  
67,1,,23871-030000,, "PLUG PT3/8,SCREW",1,1,1,,,,,,,,,,,,,  
68,1,,23871-040000,, "PLUG PT1/2,SCREW",1,1,1,,,,,,,,,,,,,  
69,1,,26013-100162,, "BOLT M10X 16",2,2,2,,,,,,,,,,,,,  
70,1,,26116-160502,, "BOLT M16X 50 PLATED",8,8,8,,,,,,,,,,,,,

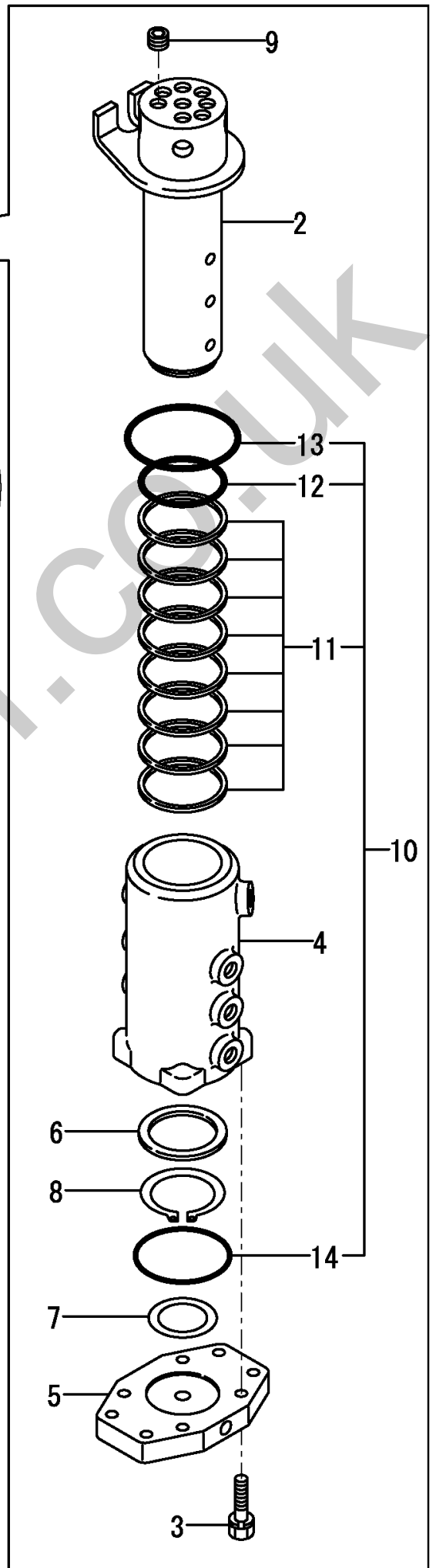
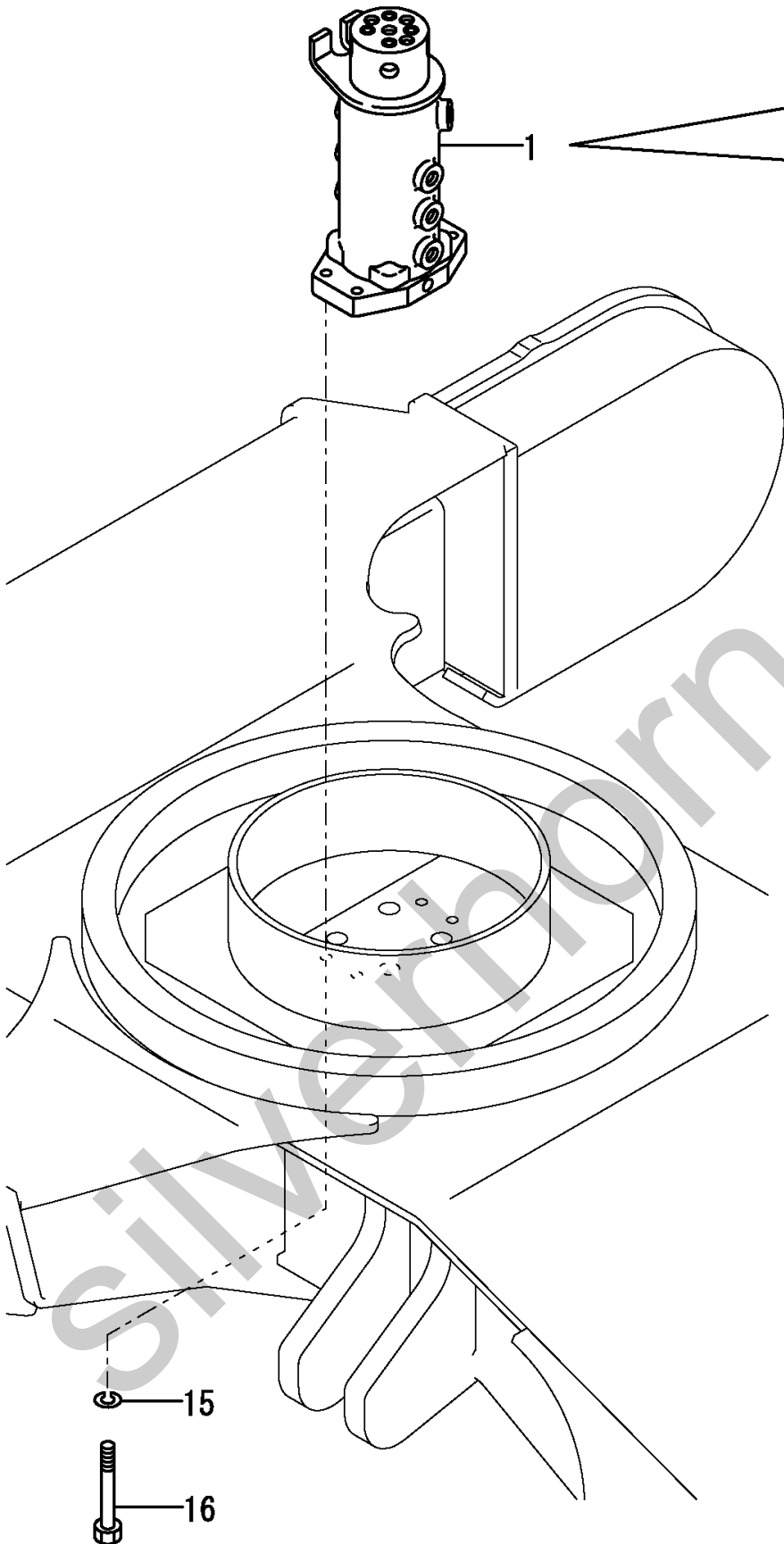
Silverhorn.CO.UK



1,1,,172187-73801,, "JOINT ASSY, SWIVEL",1,1,1,,,,,,,,,,,,,  
2,2,,172147-73810,, SHAFT,1,1,1,,,,,,,,,,,,,  
3,2,,26013-100402,, "BOLT M10X 40",4,4,4,,,,,,,,,,,,,  
4,2,,172147-73830,, "HUB, SWIVEL",1,1,1,,,,,,,,,,,,,  
5,2,,172147-73850,, PLATE,1,1,1,,,,,,,,,,,,,  
6,2,,172122-73860,, "SPACER, SWIVEL",1,1,1,,,,,,,,,,,,,  
7,2,,172122-73870,, "THRUST WASHER",1,1,1,,,,,,,,,,,,,  
8,2,,22242-000700,, "CIRCLIP 70",1,1,1,,,,,,,,,,,,,  
9,2,,23871-030000,, "PLUG PT3/8, SCREW",4,4,4,,,,,,,,,,,,,  
10,2,,172187-73820,, "SEAL KIT, SWIVEL",1,1,1,,,,,,,,,,,,,  
11,3,,172423-73820,, "SEAL, SWIVEL",8,8,8,,,,,,,,,,,,,  
12,3,,24311-000800,, "O-RING 1A P-80.0",1,1,1,,,,,,,,,,,,,  
13,3,,24311-001000,, "O-RING 1A P-100.0",1,1,1,,,,,,,,,,,,,  
14,3,,24321-000950,, "O-RING 1A G-95.0",1,1,1,,,,,,,,,,,,,  
15,1,,22217-120000,, "SPRING WASHER 12",4,4,4,,,,,,,,,,,,,  
16,1,,26116-120902,, "BOLT M12X 90 PLATED",4,4,4,,,,,,,,,,,,,

Silverhorn.CO.UK





1,1,,172478-74100,, "VALVE ASSY,CONTROL",1,1,1, .....  
2,2,,172422-74110,, NUT,8,8,8, .....  
3,2,,172478-74150,, "TIE ROD",4,4,4, .....  
4,2,,172478-74500,, "SECTION ASSY,BUCKET",1,1,1, .....  
5,3,,172478-74160,, "SECTION BUCKET",1,1,1, .....  
6,4,,172151-74060,, "BOLT, SOCKET HEAD",4,4,4, ..... I  
7,4,,172478-74170,, POPPET,1,1,1, ..... I  
8,4,,172478-74180,, "SEAT,SPRING",2,2,2, ..... I  
9,4,,172175-74220,, "SEAT, SPRING",2,2,2, ..... I  
10,4,,172151-74320,, O-RING,2,2,2, .....  
11,4,,172455-74390,, CAP,2,2,2, ..... I  
12,4,,172455-74410,, SPRING,2,2,2, ..... I  
13,4,,172455-74420,, POPPET,1,1,1, ..... I  
14,4,,172455-74440,, SPRING,2,2,2, ..... I  
15,4,,172455-74450,, PLUG,2,2,2, .....  
16,4,,172455-74460,, PACKING,2,2,2, .....  
17,3,,172455-74250,, "ANTI-VOIDE VALVE",1,1,1, .....  
18,4,,172112-06490,, O-RING,1,1,1, ..... I  
19,4,,172116-74150,, O-RING,1,1,1, .....  
20,4,,172455-74770,, CAP,1,1,1, ..... I  
21,4,,172455-74910,, O-RING,1,1,1, ..... I  
22,4,,172455-74920,, "BACK-UP RING",1,1,1, ..... I  
23,4,,172455-74930,, SPRING,1,1,1, ..... I  
24,4,,172455-74960,, SPRING,1,1,1, ..... I  
25,4,,172455-74970,, POPPET,1,1,1, ..... I  
26,4,,172455-74980,, PLUG,1,1,1, ..... I  
27,3,,172478-74400,, "VALVE,RELIEF 280/40",1,1,1, .....  
28,4,,172116-74150,, O-RING,1,1,1, .....  
29,4,,24315-000100,, "O-RING 1B P-10.0",1,1,1, ..... I  
30,2,,172478-74510,, "SECTION ASSY,BOOM",1,1,1, .....  
31,3,,172478-74190,, "SECTION BOOM 1",1,1,1, .....  
32,4,,172151-74060,, "BOLT, SOCKET HEAD",2,2,2, ..... I  
33,4,,172478-74180,, "SEAT,SPRING",2,2,2, ..... I  
34,4,,172478-74200,, "VALVE , ANTI-DRIFT",2,2, .....  
34-1,4,,172488-74200,, "ANTI-DRIFT  
VALVE",1,1,1, , , R,1,72478141,M/#20615,72478141,M/#20615, ..... I  
35,4,,172638-73650,, RING,1,1,1, .....  
36,4,,172116-74150,, O-RING,1,1,1, .....  
38,4,,172455-74590,, POPPET,1,1,1, ..... I  
39,4,,172455-74600,, PLUG,1,1,1, ..... I  
41,4,,172455-74620,, SPOOL,1,1,1, ..... I  
42,4,,172455-74630,, SLEEVE,1,1,1, ..... I  
43,4,,172455-74640,, SPRING,1,1,1, ..... I  
44,4,,172455-74650,, SPRING,1,1,1, ..... I  
45,4,,172455-74660,, PACKING,1,1,1, .....  
46,4,,172455-74670,, PACKING,1,1,1, .....  
47,4,,172455-74680,, "BACK UP RING",1,1,1, .....  
48,4,,172187-74690,, PLUG,1,1,1, ..... I  
49,4,,172455-74690,, PACKING,2,2,2, .....  
50,4,,172455-74720,, "SEAT, SPRING",1,1,1, ..... I  
51,4,,172175-74220,, "SEAT, SPRING",2,2,2, ..... I  
52,4,,172151-74320,, O-RING,2,2,2, .....  
53,4,,172455-74390,, CAP,1,1,1, ..... I  
54,4,,172455-74410,, SPRING,2,2,2, ..... I  
55,4,,172455-74420,, POPPET,2,2,2, ..... I  
56,4,,172455-74440,, SPRING,2,2,2, ..... I  
57,4,,172455-74450,, PLUG,2,2,2, .....  
58,4,,172455-74460,, PACKING,2,2,2, .....  
59,4,,172455-74530,, "BOLT,SOCKET HEAD",5,5,5, ..... I  
60,4,,172187-74540,, PLUG,2,2,2, ..... I  
61,4,,24315-000170,, "O-RING 1B P 17.0",1,1,1, ..... I  
62,4,,172455-74550,, POPPET,1,1,1, ..... I  
63,4,,172455-74560,, SPACER,1,1,1, ..... I

64,4,,172455-74570,,O-RING,1,1,1,,,,,,,,,,,,,  
65,4,,172455-74580,, "RING,BACK-UP",1,1,1,,,,,,,,,,,,,  
66,4,,172187-74630,,SPRING,1,1,1,,,,,,,,,,,,,I  
67,4,,24321-000700,, "O-RING 1A G70.0,NBR",1,1,1,,,,,,,,,,,,,  
68,3,,172478-74400,, "VALVE,RELIEF 280/40",1,1,1,,,,,,,,,,,,,  
69,4,,172116-74150,,O-RING,1,1,1,,,,,,,,,,,,,  
88,4,,24315-000100,, "O-RING 1B P-10.0",1,1,1,,,,,,,,,,,,,I  
89,3,,172478-74420,, "VALVE,RELIEF 300/40",1,1,1,,,,,,,,,,,,,  
90,4,,172116-74150,,O-RING,1,1,1,,,,,,,,,,,,,  
109,4,,24315-000100,, "O-RING 1B P-10.0",1,1,1,,,,,,,,,,,,,I  
110,1,,26013-100162,, "BOLT M10X 16",3,3,3,,,,,,,,,,,,,

Silverhorn.CO.UK

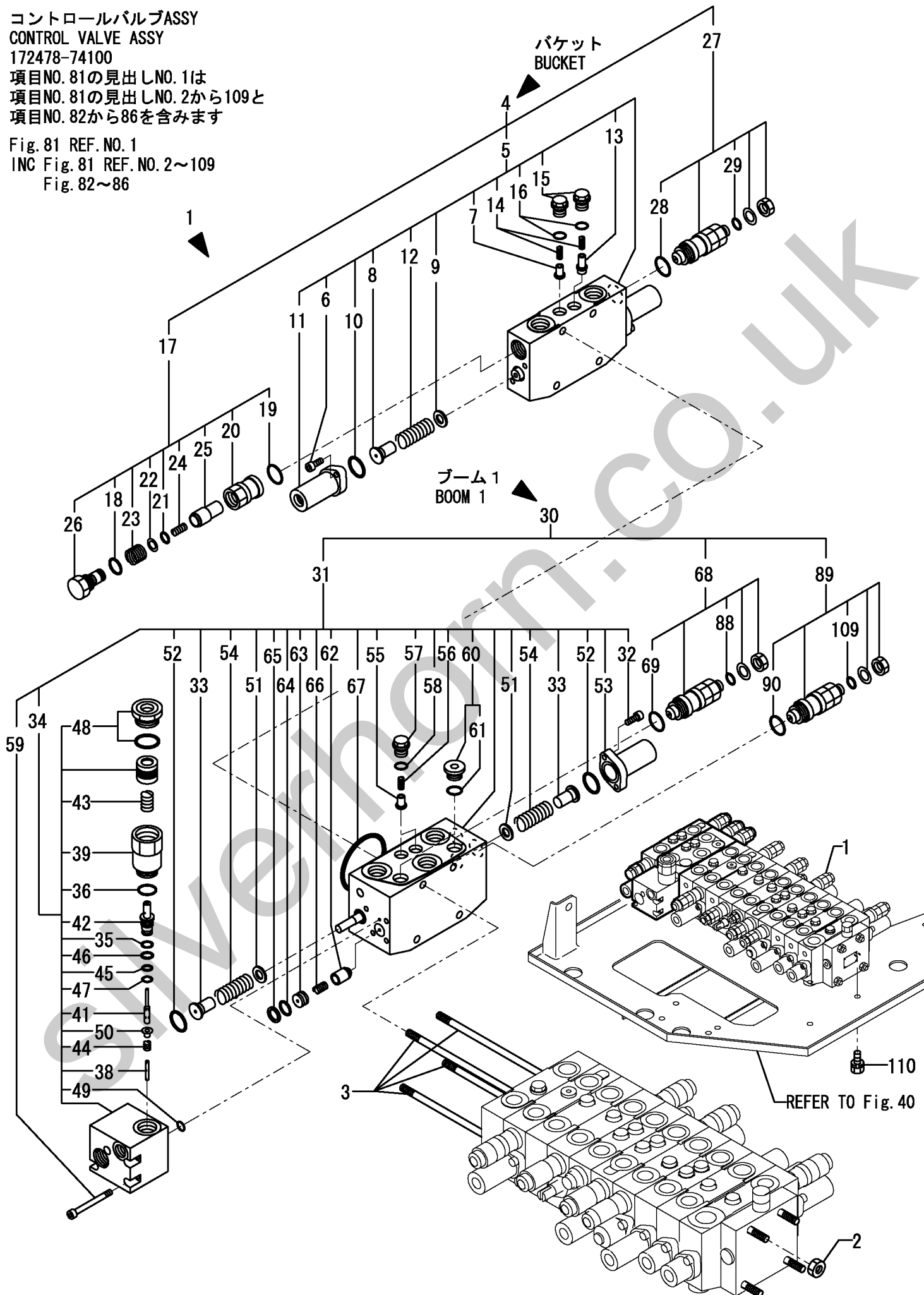
コントロールバルブASSY  
CONTROL VALVE ASSY  
172478-74100

項目NO. 81の見出しNO. 1は  
項目NO. 81の見出しNO. 2から109と  
項目NO. 82から86を含みます

Fig. 81 REF. NO. 1

INC Fig. 81 REF. NO. 2~109

Fig. 82~86



1,2,,172478-74220,, "SECTION ASSY,DRIVE R",1,1,1,,,,,,,,,,,,,  
2,3,,172151-74060,, "BOLT, SOCKET HEAD",2,2,2,,,,,,,,,,,,,I  
3,3,,172113-74170,, SPRING,1,1,1,,,,,,,,,,,,,I  
4,3,,172113-74190,, SPRING,1,1,1,,,,,,,,,,,,,I  
5,3,,172116-74190,, "PLATE, SEAL",2,2,2,,,,,,,,,,,,,I  
6,3,,172823-74240,, SCREW,2,2,2,,,,,,,,,,,,,I  
7,3,,172187-74410,, "POPPET, VALVE",1,1,1,,,,,,,,,,,,,I  
8,3,,172455-74450,, PLUG,1,1,1,,,,,,,,,,,,,  
9,3,,172455-74460,, PACKING,1,1,1,,,,,,,,,,,,,  
10,3,,172455-74730,, CAP,1,1,1,,,,,,,,,,,,,I  
11,3,,172455-74740,, "CAP SCREW",1,1,1,,,,,,,,,,,,,I  
12,3,,24321-000700,, "O-RING 1A G70.0,NBR",1,1,1,,,,,,,,,,,,,  
13,3,,933166-80520,, WIPER,2,2,2,,,,,,,,,,,,,  
14,3,,933171-80510,, "SEAT, SPRING",2,2,2,,,,,,,,,,,,,I  
15,3,,933171-80610,, O-RING,2,2,2,,,,,,,,,,,,,  
16,2,,172478-74440,, PLUG,1,1,1,,,,,,,,,,,,,  
17,3,,24315-000110,, "O-RING 1B P-11.0",1,1,1,,,,,,,,,,,,,  
18,2,,172478-74520,, "SECTION ASSY,INLET",1,1,1,,,,,,,,,,,,,  
19,3,,172187-74160,, "VALVE, RELIEF",2,2,2,,,,,,,,,,,,,  
20,4,,172116-74150,, O-RING,4,4,4,,,,,,,,,,,,,  
21,3,,172478-74230,, "SECTION INLET",1,1,1,,,,,,,,,,,,,  
22,4,,172151-74060,, "BOLT, SOCKET HEAD",2,2,2,,,,,,,,,,,,,I  
23,4,,172478-74180,, "SEAT,SPRING",1,1,1,,,,,,,,,,,,,I  
24,4,,172175-74220,, "SEAT, SPRING",1,1,1,,,,,,,,,,,,,I  
25,4,,172478-74240,, "CAP ASSY",1,1,1,,,,,,,,,,,,,  
25-1,4,,172488-74240,, "CAP  
ASSY",1,1,1,,,,,R,,72478141,M/#20615,72478141,M/#20615,,,,,,I  
28,4,,172151-74320,, O-RING,2,2,2,,,,,,,,,,,,,  
29,4,,172422-74330,, PLUG,1,1,1,,,,,,,,,,,,,I  
30,4,,172455-74470,, SPRING,1,1,1,,,,,,,,,,,,,I  
31,4,,172455-74480,, CAP,1,1,1,,,,,,,,,,,,,I  
32,4,,172455-74520,, PISTON,1,1,1,,,,,,,,,,,,,I  
33,4,,24321-000700,, "O-RING 1A G70.0,NBR",2,2,2,,,,,,,,,,,,,



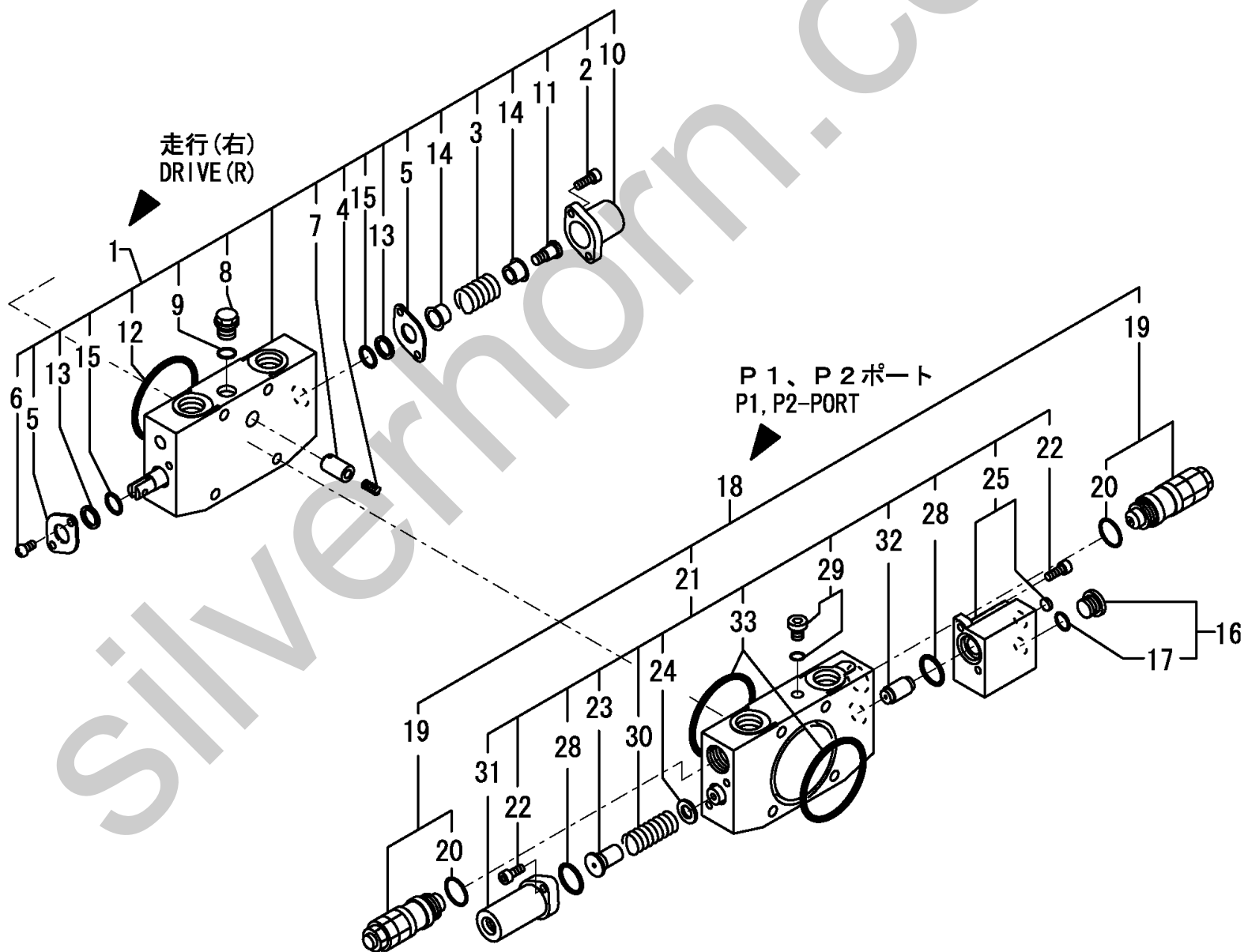
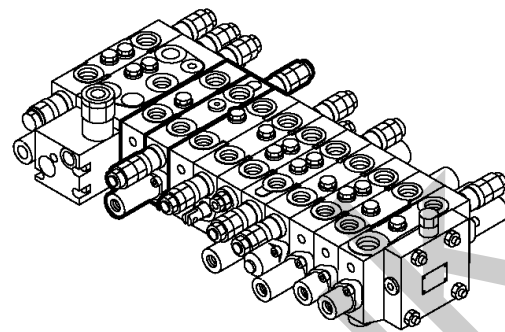
コントロールバルブASSY  
CONTROL VALVE ASSY  
172478-74100

項目NO. 81の見出しNO. 1は  
項目NO. 81の見出しNO. 2から109と  
項目NO. 82から86を含みます

Fig. 81 REF. NO. 1

INC Fig. 81 REF. NO. 2~109

Fig. 82~86



1,2,,172478-74260,, "SECTION ASSY,DRIVE L",1,1,1,,,,,,,,,,,,,  
2,3,,172151-74060,, "BOLT, SOCKET HEAD",2,2,2,,,,,,,,,,,,,I  
3,3,,172113-74170,, SPRING,1,1,1,,,,,,,,,,,,,I  
4,3,,172116-74190,, "PLATE, SEAL",2,2,2,,,,,,,,,,,,,I  
5,3,,172823-74240,, SCREW,2,2,2,,,,,,,,,,,,,I  
6,3,,172455-74450,, PLUG,1,1,1,,,,,,,,,,,,,  
7,3,,172455-74460,, PACKING,1,1,1,,,,,,,,,,,,,  
8,3,,172455-74730,, CAP,1,1,1,,,,,,,,,,,,,I  
9,3,,172455-74740,, "CAP SCREW",1,1,1,,,,,,,,,,,,,I  
10,3,,24321-000700,, "O-RING 1A G70.0,NBR",1,1,1,,,,,,,,,,,,,  
11,3,,933166-80520,, WIPER,2,2,2,,,,,,,,,,,,,  
12,3,,933171-80510,, "SEAT, SPRING",2,2,2,,,,,,,,,,,,,I  
13,3,,933171-80610,, O-RING,2,2,2,,,,,,,,,,,,,  
14,2,,172478-74530,, "SECTION ASSY,SWING",1,1,1,,,,,,,,,,,,,  
15,3,,172478-74270,, "SECTION SWING",1,1,1,,,,,,,,,,,,,  
16,4,,172151-74060,, "BOLT, SOCKET HEAD",2,2,2,,,,,,,,,,,,,I  
17,4,,172113-74170,, SPRING,1,1,1,,,,,,,,,,,,,I  
18,4,,172116-74190,, "PLATE, SEAL",2,2,2,,,,,,,,,,,,,I  
19,4,,172823-74240,, SCREW,2,2,2,,,,,,,,,,,,,I  
20,4,,172455-74420,, POPPET,1,1,1,,,,,,,,,,,,,I  
21,4,,172455-74440,, SPRING,1,1,1,,,,,,,,,,,,,I  
22,4,,172455-74450,, PLUG,1,1,1,,,,,,,,,,,,,  
23,4,,172455-74460,, PACKING,1,1,1,,,,,,,,,,,,,  
24,4,,172455-74730,, CAP,1,1,1,,,,,,,,,,,,,I  
25,4,,172455-74740,, "CAP SCREW",1,1,1,,,,,,,,,,,,,I  
26,4,,24321-000700,, "O-RING 1A G70.0,NBR",1,1,1,,,,,,,,,,,,,  
27,4,,933166-80520,, WIPER,2,2,2,,,,,,,,,,,,,  
28,4,,933171-80510,, "SEAT, SPRING",2,2,2,,,,,,,,,,,,,I  
29,4,,933171-80610,, O-RING,2,2,2,,,,,,,,,,,,,  
30,3,,172478-74400,, "VALVE,RELIEF 280/40",2,2,2,,,,,,,,,,,,,  
31,4,,172116-74150,, O-RING,2,2,2,,,,,,,,,,,,,  
50,4,,24315-000100,, "O-RING 1B P-10.0",2,2,2,,,,,,,,,,,,,I



コントロールバルブASSY

CONTROL VALVE ASSY

172478-74100

項目NO. 81の見出しNO. 1は

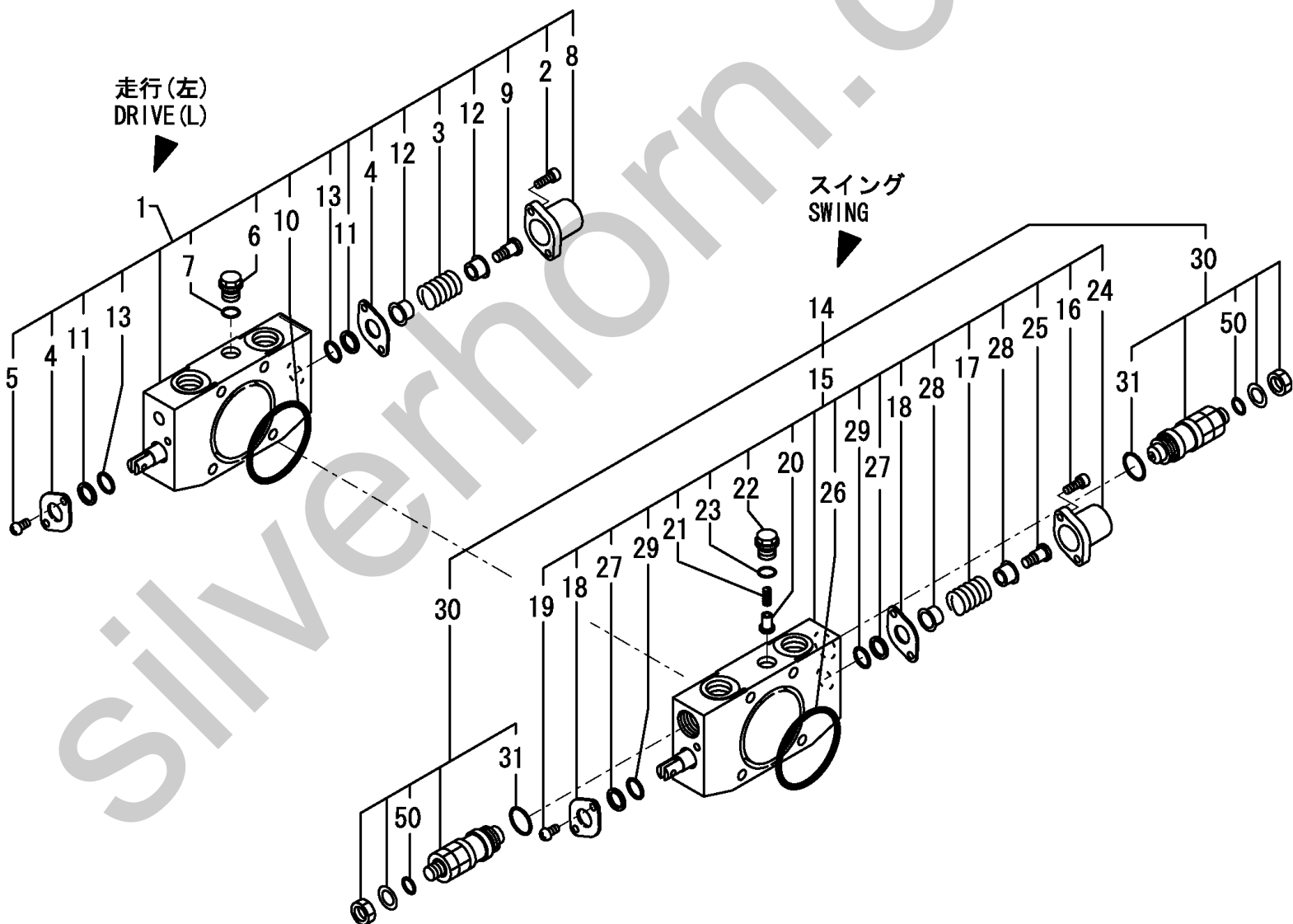
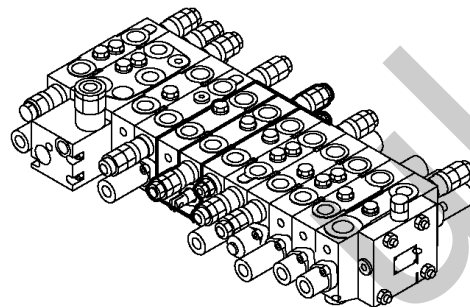
項目NO. 81の見出しNO. 2から109と

項目NO. 82から86を含みます

Fig. 81 REF. NO. 1

INC Fig. 81 REF. NO. 2~109

Fig. 82~86





1,2,,172478-74540,, "SECTION ASST,P.T.O.",1,1,1,,,,,,,,,,,,,  
 2,3,,172478-74280,, "SECTION P.T.O.",1,1,1,,,,,,,,,,,,,  
 3,4,,172151-74060,, "BOLT, SOCKET HEAD",2,2,2,,,,,,,,,,,,,I  
 4,4,,172113-74170,, SPRING,1,1,1,,,,,,,,,,,,,I  
 5,4,,172116-74190,, "PLATE, SEAL",2,2,2,,,,,,,,,,,,,I  
 6,4,,172823-74240,, SCREW,2,2,2,,,,,,,,,,,,,I  
 7,4,,172455-74420,, POPPET,1,1,1,,,,,,,,,,,,,I  
 8,4,,172455-74440,, SPRING,1,1,1,,,,,,,,,,,,,I  
 9,4,,172455-74450,, PLUG,1,1,1,,,,,,,,,,,,,  
 10,4,,172455-74460,, PACKING,1,1,1,,,,,,,,,,,,,  
 11,4,,172455-74730,, CAP,1,1,1,,,,,,,,,,,,,I  
 12,4,,172455-74740,, "CAP SCREW",1,1,1,,,,,,,,,,,,,I  
 13,4,,24321-000700,, "O-RING 1A G70.0,NBR",1,1,1,,,,,,,,,,,,,  
 14,4,,933166-80520,, WIPER,2,2,2,,,,,,,,,,,,,  
 15,4,,933171-80510,, "SEAT, SPRING",2,2,2,,,,,,,,,,,,,I  
 16,4,,933171-80610,, O-RING,2,2,2,,,,,,,,,,,,,  
 17,3,,172455-74320,, "SHUTOFF VALVE",2,2,2,,,,,,,,,,,,,  
 18,4,,172455-74010,, NUT,2,2,2,,,,,,,,,,,,,I  
 19,4,,172455-74020,, PLUG,2,2,2,,,,,,,,,,,,,I  
 20,4,,172455-74030,, O-RING,2,2,2,,,,,,,,,,,,,I  
 21,4,,172455-74040,, POPPET,2,2,2,,,,,,,,,,,,,I  
 22,4,,172116-74150,, O-RING,2,2,2,,,,,,,,,,,,,  
 23,4,,172455-74990,, "SET SCREW",2,2,2,,,,,,,,,,,,,I  
 24,3,,172187-74550,, PLUG,2,2,2,,,,,,,,,,,,,  
 25,4,,24315-000180,, "O-RING 1B P-18.0",2,2,2,,,,,,,,,,,,,  
 26,2,,172478-74550,, "SECTION  
 ASSY,ARM",1,1,1,,,,,729780026,,729780026,,729780026,,,,,I  
 27,3,,172478-74290,, "SECTION ARM",1,1,1,,,,,,,,,,,,,  
 28,4,,172151-74060,, "BOLT, SOCKET HEAD",4,4,4,,,,,,,,,,,,,I  
 29,4,,172478-74180,, "SEAT,SPRING",2,2,2,,,,,,,,,,,,,I  
 30,4,,172175-74220,, "SEAT, SPRING",2,2,2,,,,,,,,,,,,,I  
 31,4,,172151-74320,, O-RING,2,2,2,,,,,,,,,,,,,  
 32,4,,172455-74390,, CAP,2,2,2,,,,,,,,,,,,,I  
 33,4,,172455-74410,, SPRING,2,2,2,,,,,,,,,,,,,I  
 34,4,,172455-74420,, POPPET,2,2,2,,,,,,,,,,,,,I  
 35,4,,172455-74440,, SPRING,2,2,2,,,,,,,,,,,,,I  
 36,4,,172455-74450,, PLUG,2,2,2,,,,,,,,,,,,,  
 37,4,,172455-74460,, PACKING,2,2,2,,,,,,,,,,,,,  
 38,3,,172478-74400,, "VALVE,RELIEF 280/40",2,2,2,,,,,,,,,,,,,  
 39,4,,172116-74150,, O-RING,2,2,2,,,,,,,,,,,,,  
 58,4,,24315-000100,, "O-RING 1B P-10.0",2,2,2,,,,,,,,,,,,,I



コントロールバルブASSY

CONTROL VALVE ASSY

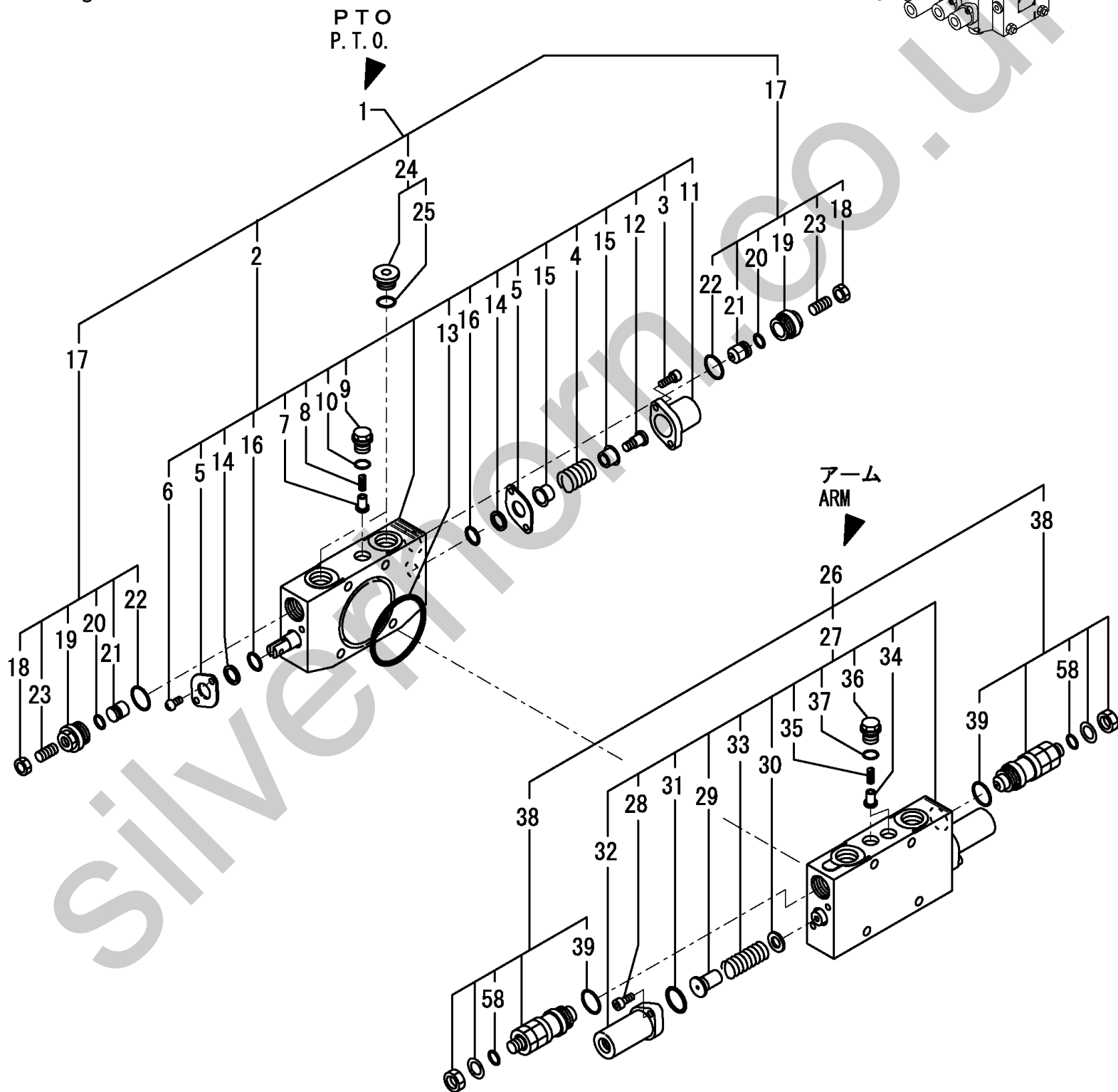
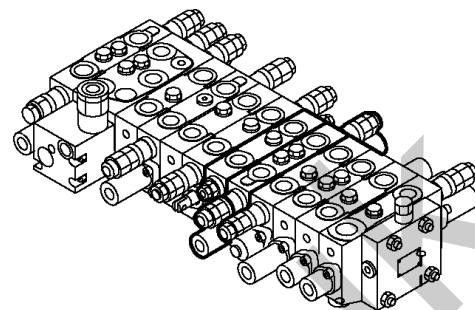
172478-74100

項目NO. 81の見出しNO. 1は  
項目NO. 81の見出しNO. 2から109と  
項目NO. 82から86を含みます

Fig. 81 REF. NO. 1

INC Fig. 81 REF. NO. 2~109

Fig. 82~86



1,2,,172478-74310,, "SECTION  
 TURNING" ,1,1,,,,,729780026,,729780026,,729780026,,,,,I  
 2,3,,172151-74060,, "BOLT, SOCKET HEAD" ,4,4,,,,,I  
 3,3,,172478-74180,, "SEAT, SPRING" ,2,2,,,,,I  
 4,3,,172175-74220,, "SEAT, SPRING" ,2,2,,,,,I  
 5,3,,172151-74320,, O-RING,2,2,,,,,I  
 6,3,,172478-74320,, POPPET,1,1,,,,,I  
 7,3,,172455-74390,, CAP,2,2,,,,,I  
 8,3,,172455-74410,, SPRING,2,2,,,,,I  
 9,3,,172455-74420,, POPPET,1,1,,,,,I  
 10,3,,172455-74440,, SPRING,2,2,,,,,I  
 11,3,,172455-74450,, PLUG,2,2,,,,,I  
 12,3,,172455-74460,, PACKING,2,2,,,,,I  
 13,3,,24321-000700,, "O-RING 1A G70.0,NBR" ,1,1,,,,,I  
 14,2,,172478-74560,, "SECTION ASSY, BLADE" ,1,1,,,,,I  
 15,3,,172478-74300,, "SECTION BLADE" ,1,1,,,,,I  
 16,4,,172151-74060,, "BOLT, SOCKET HEAD" ,2,2,,,,,I  
 17,4,,172113-74170,, SPRING,1,1,,,,,I  
 18,4,,172113-74190,, SPRING,1,1,,,,,I  
 19,4,,172116-74190,, "PLATE, SEAL" ,2,2,,,,,I  
 20,4,,172823-74240,, SCREW,2,2,,,,,I  
 21,4,,172187-74410,, "POPPET, VALVE" ,1,1,,,,,I  
 22,4,,172455-74420,, POPPET,1,1,,,,,I  
 23,4,,172455-74440,, SPRING,1,1,,,,,I  
 24,4,,172455-74450,, PLUG,1,1,,,,,I  
 25,4,,172455-74460,, PACKING,1,1,,,,,I  
 26,4,,172455-74730,, CAP,1,1,,,,,I  
 27,4,,172455-74740,, "CAP SCREW" ,1,1,,,,,I  
 28,4,,24321-000700,, "O-RING 1A G70.0,NBR" ,1,1,,,,,I  
 29,4,,933166-80520,, WIPER,2,2,,,,,I  
 30,4,,933171-80510,, "SEAT, SPRING" ,2,2,,,,,I  
 31,4,,933171-80610,, O-RING,2,2,,,,,I  
 32,3,,172478-74430,, "VALVE, RELIEF 150/57" ,1,1,,,,,I  
 33,4,,172116-74150,, O-RING,1,1,,,,,I  
 52,4,,24315-000100,, "O-RING 1B P-10.0" ,1,1,,,,,I  
 53,2,,172455-74380,, PLUG,1,1,,,,,I  
 54,3,,24315-000180,, "O-RING 1B P-18.0" ,1,1,,,,,I



コントロールバルブASSY

CONTROL VALVE ASSY

172478-74100

項目NO. 81の見出しNO. 1は

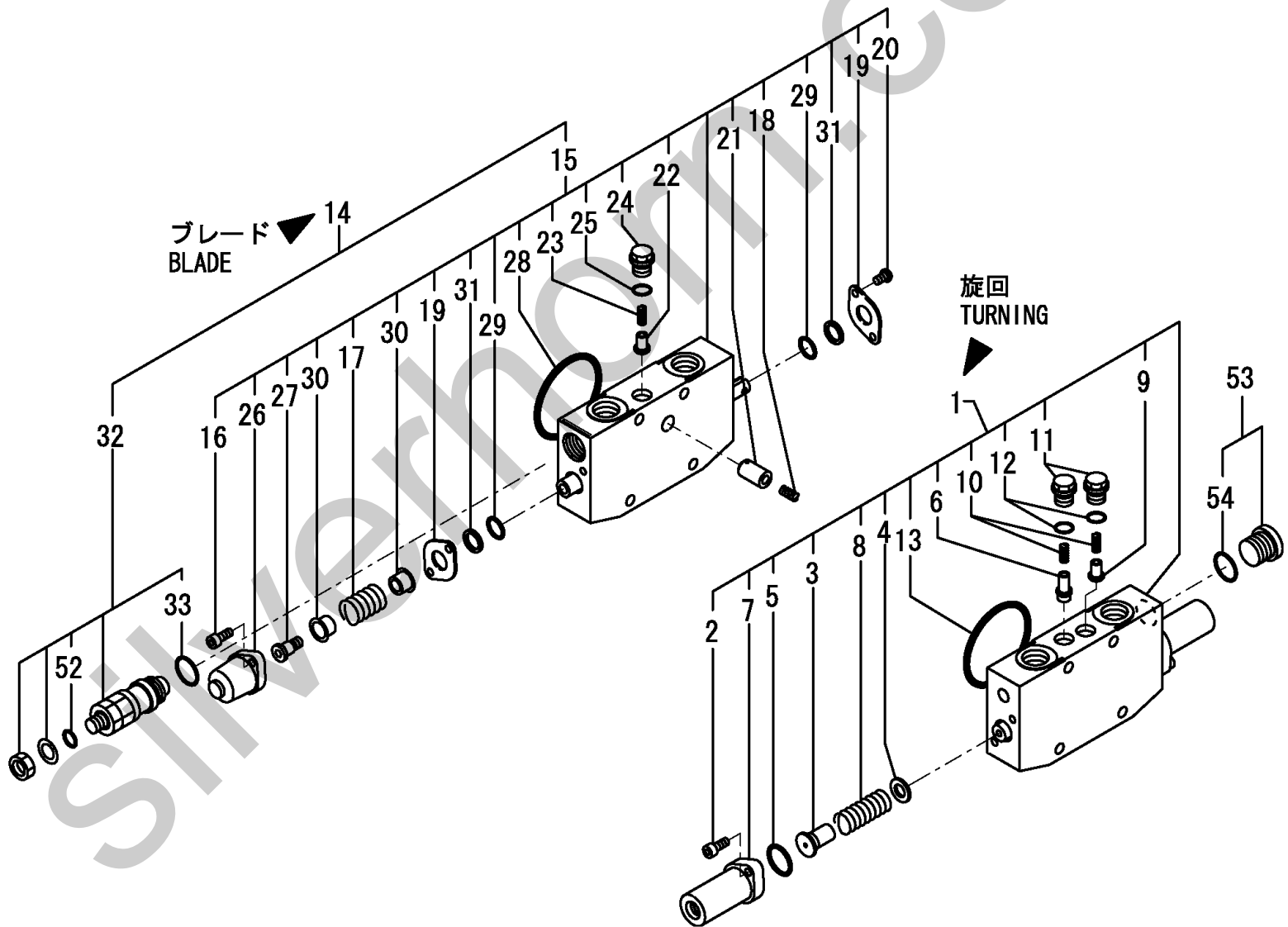
項目NO. 81の見出しNO. 2から109と

項目NO. 82から86を含みます

Fig. 81 REF. NO. 1

INC Fig. 81 REF. NO. 2~109

Fig. 82~86



1,2,,172478-74330,, "SECTION BOOM 2",1,1,,,,,,,,,,,,,,,,,,,,,  
2,3,,172151-74060,, "BOLT, SOCKET HEAD",4,4,,,,,,,,,,,,,,,,,,,,,I  
3,3,,172478-74180,, "SEAT, SPRING",1,1,,,,,,,,,,,,,,,,,,,,,I  
4,3,,172175-74220,, "SEAT, SPRING",1,1,,,,,,,,,,,,,,,,,,,,,I  
5,3,,172445-74280,, "CAP, STEERING WHEEL",1,1,,,,,,,,,,,,,,,,,,,,,I  
6,3,,172151-74320,, O-RING,2,2,,,,,,,,,,,,,,,,,,,,,  
7,3,,172455-74390,, CAP,1,1,,,,,,,,,,,,,,,,,,,,,I  
8,3,,172455-74420,, POPPET,1,1,,,,,,,,,,,,,,,,,,,,,I  
9,3,,172455-74440,, SPRING,1,1,,,,,,,,,,,,,,,,,,,,,I  
10,3,,172455-74450,, PLUG,1,1,,,,,,,,,,,,,,,,,,,,,  
11,3,,172455-74460,, PACKING,1,1,,,,,,,,,,,,,,,,,,,,,  
12,3,,172455-74470,, SPRING,1,1,,,,,,,,,,,,,,,,,,,,,I  
13,3,,172187-74540,, PLUG,2,2,,,,,,,,,,,,,,,,,,,,,  
14,4,,24315-000140,, "O-RING 1B P-14.0",2,2,,,,,,,,,,,,,,,,,,,,,  
15,3,,24321-000700,, "O-RING 1A G70.0,NBR",1,1,,,,,,,,,,,,,,,,,,,,,  
16,2,,172478-74350,, "BODY ASSY",1,1,,,,,,,,,,,,,,,,,,,,,  
17,3,,172478-74360,, BODY,1,1,,,,,,,,,,,,,,,,,,,,,  
18,3,,172478-74370,, "PLUG ASSY",1,1,,,,,,,,,,,,,,,,,,,,,  
19,2,,172478-74440,, PLUG,1,1,,,,,,,,,,,,,,,,,,,,,  
20,3,,24315-000110,, "O-RING 1B P-11.0",1,1,,,,,,,,,,,,,,,,,,,,,  
21,2,,172478-74570,, "SECTION ASSY, CONTROL",1,1,,,,,,,,,,,,,,,,,,,,,  
22,3,,172478-74340,, "SECTION CONTROL",1,1,,,,,,,,,,,,,,,,,,,,,  
23,4,,172455-74050,, CAP,1,1,,,,,,,,,,,,,,,,,,,,,I  
24,4,,172151-74060,, "BOLT, SOCKET HEAD",4,4,,,,,,,,,,,,,,,,,,,,,I  
25,4,,172478-74180,, "SEAT, SPRING",1,1,,,,,,,,,,,,,,,,,,,,,I  
26,4,,172175-74220,, "SEAT, SPRING",1,1,,,,,,,,,,,,,,,,,,,,,I  
27,4,,172151-74320,, O-RING,2,2,,,,,,,,,,,,,,,,,,,,,  
28,4,,172455-74450,, PLUG,1,1,,,,,,,,,,,,,,,,,,,,,  
29,4,,172455-74460,, PACKING,1,1,,,,,,,,,,,,,,,,,,,,,  
30,4,,172455-74470,, SPRING,1,1,,,,,,,,,,,,,,,,,,,,,I  
31,4,,172455-74480,, CAP,1,1,,,,,,,,,,,,,,,,,,,,,I  
32,4,,172455-74510,, FILTER-A,1,1,,,,,,,,,,,,,,,,,,,,,I  
33,4,,24321-000700,, "O-RING 1A G70.0,NBR",2,2,,,,,,,,,,,,,,,,,,,,,  
34,3,,172478-74380,, "VALVE, RELIEF 210/57",1,1,,,,,,,,,,,,,,,,,,,,,  
35,4,,172116-74150,, O-RING,1,1,,,,,,,,,,,,,,,,,,,,,  
36,4,,24315-000100,, "O-RING 1B P-10.0",1,1,,,,,,,,,,,,,,,,,,,,,I



コントロールバルブASSY

CONTROL VALVE ASSY

172478-74100

項目NO. 81の見出しNO. 1は

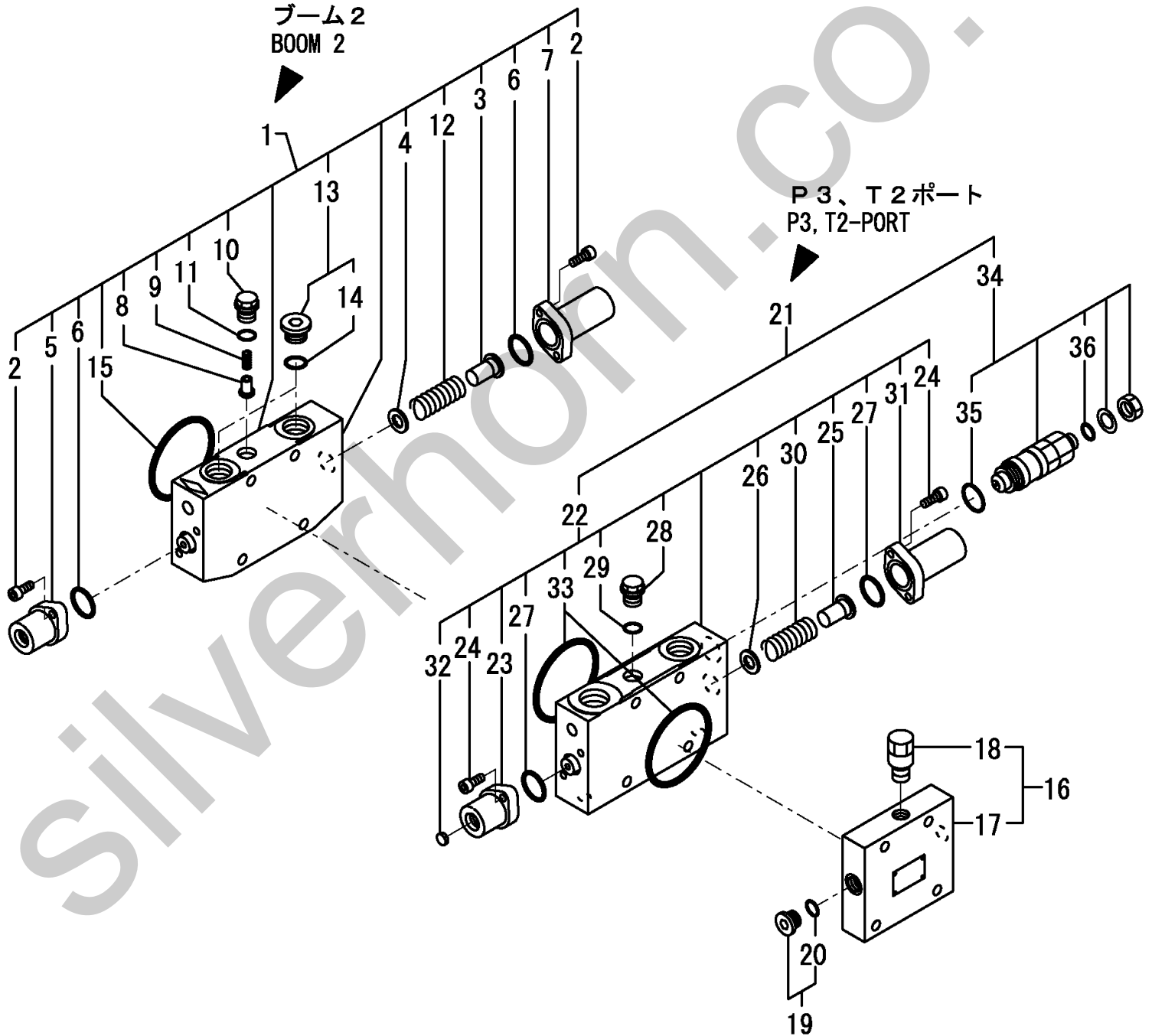
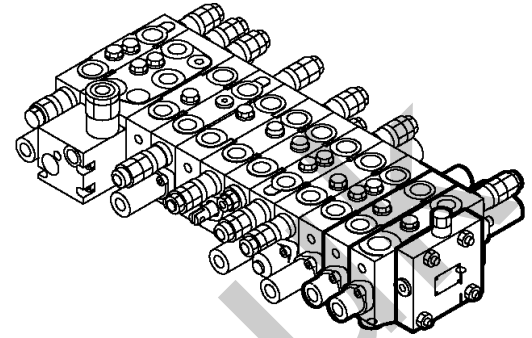
項目NO. 81の見出しNO. 2から109と

項目NO. 82から86を含みます

Fig. 81 REF. NO. 1

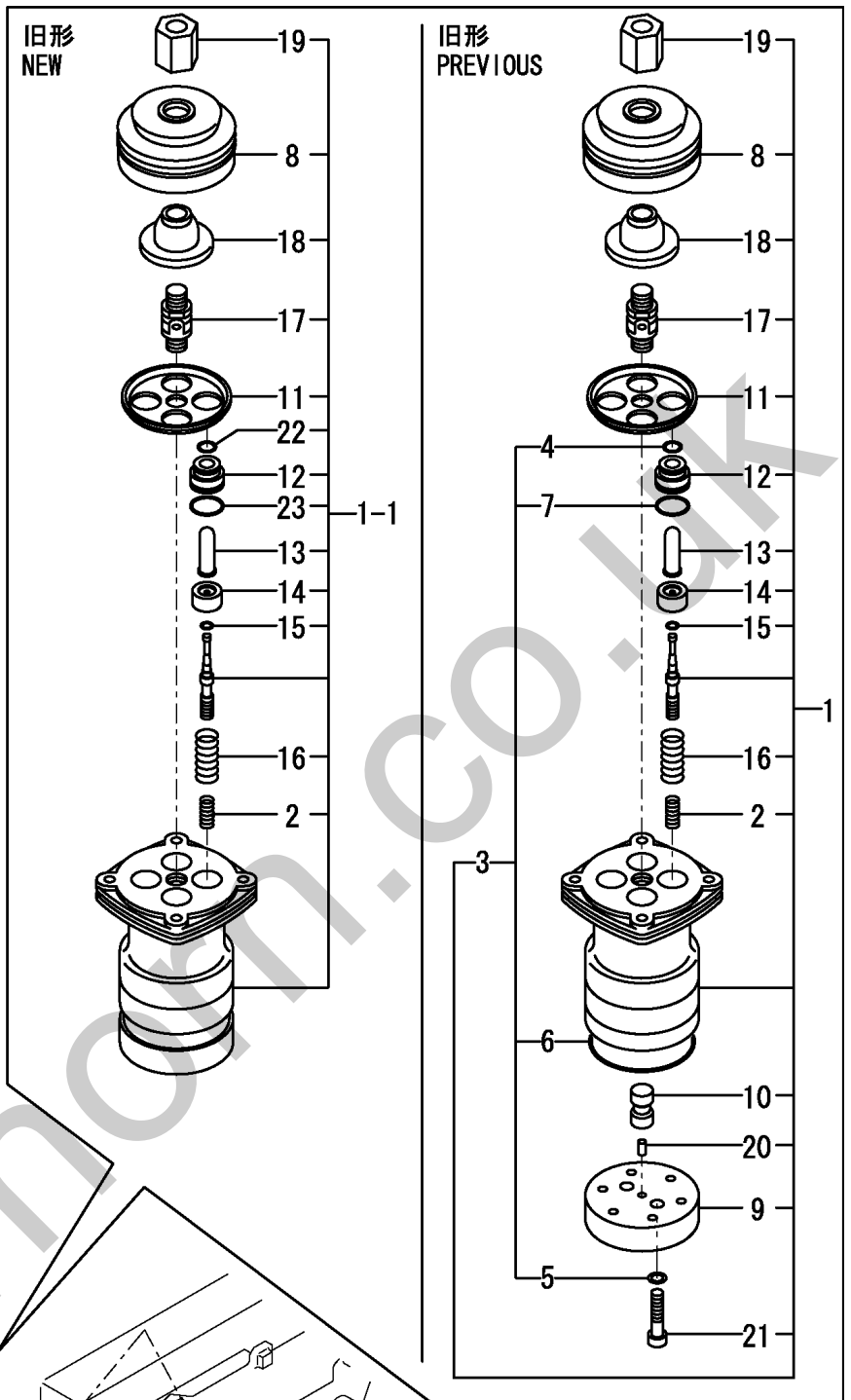
INC Fig. 81 REF. NO. 2~109

Fig. 82~86

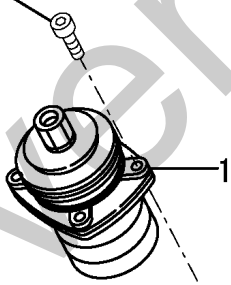


1,1,,172455-74700,, "VALVE ASSY, REM-CON.",2,2,,,,,,,,,,,,,  
1-1,1,,172455-74701,, "VALVE ASSY,  
REMO.CON",1,1,1,,,R,,72455395,M/#20613,72455395,M/#20613,,,,,,,,,I  
2,2,,172455-74240,,SPRING,4,4,4,,,,,,,,,,,,,I  
3,2,,172448-74710,, "SEAL KIT SUB  
ASSY",1,1,,,,,Z,,72455395,M/#20613,72455395,M/#20613,,,,,,,,,I  
4,3,,172448-74790,,SEAL,4,4,,,,,Z,,72455395,M/#20613,72455395,M/#20613,,,,,,,,,I  
5,3,,172447-74820,, "SEAL  
WASHER",2,2,,,,,Z,,72455395,M/#20613,72455395,M/#20613,,,,,,,,,I  
6,3,,172448-  
74830,,ORING,6,6,,,,,Z,,72455395,M/#20613,72455395,M/#20613,,,,,,,,,I  
7,3,,24315-000200,, "O-RING 1B P-  
20.0",4,4,,,,,Z,,72455395,M/#20613,72455395,M/#20613,,,,,,,,,I  
8,2,,172455-74710,,BELLOWS,2,2,2,,,,,,,,,,,,,  
9,2,,172448-74740,, "PLATE,  
PORT",1,1,,,,,Z,,72455395,M/#20613,72455395,M/#20613,,,,,,,,,I  
10,2,,172448-  
74750,,BUSH,1,1,,,,,Z,,72455395,M/#20613,72455395,M/#20613,,,,,,,,,I  
11,2,,172448-74760,,PLATE,1,1,1,,,,,,,,,,,,,I  
12,2,,172448-74770,,PLUG,4,4,4,,,,,,,,,,,,,I  
13,2,,172448-74780,, "ROD Q,PUSH",4,4,4,,,,,,,,,,,,,I  
14,2,,172448-74910,, "SEAT, SPRING",4,4,4,,,,,,,,,,,,,I  
15,2,,172448-74920,,WASHER,4,4,4,,,,,,,,,,,,,I  
16,2,,172448-74930,,SPRING,4,4,4,,,,,,,,,,,,,I  
17,2,,172448-74950,, "JOINT ASSY",1,1,1,,,,,,,,,,,,,I  
18,2,,172448-74960,, "PLATE, CIRCLE",1,1,1,,,,,,,,,,,,,I  
19,2,,172448-74970,, "NUT, ADJUST",1,1,1,,,,,,,,,,,,,I  
20,2,,22351-050010,, "SPRING PIN  
5X10",1,1,,,,,Z,,72455395,M/#20613,72455395,M/#20613,,,,,,,,,I  
21,2,,26450-080352,, "BOLT M 8X  
35",2,2,,,,,Z,,72455395,M/#20613,72455395,M/#20613,,,,,,,,,I  
22,2,,172448-  
74790,,SEAL,8,8,8,,,W,,72448166,M/#20613,72448166,M/#20613,,,,,,,,,I  
23,2,,24315-000200,, "O-RING 1B P-  
20.0",8,8,8,,,W,,72448166,M/#20613,72448166,M/#20613,,,,,,,,,I

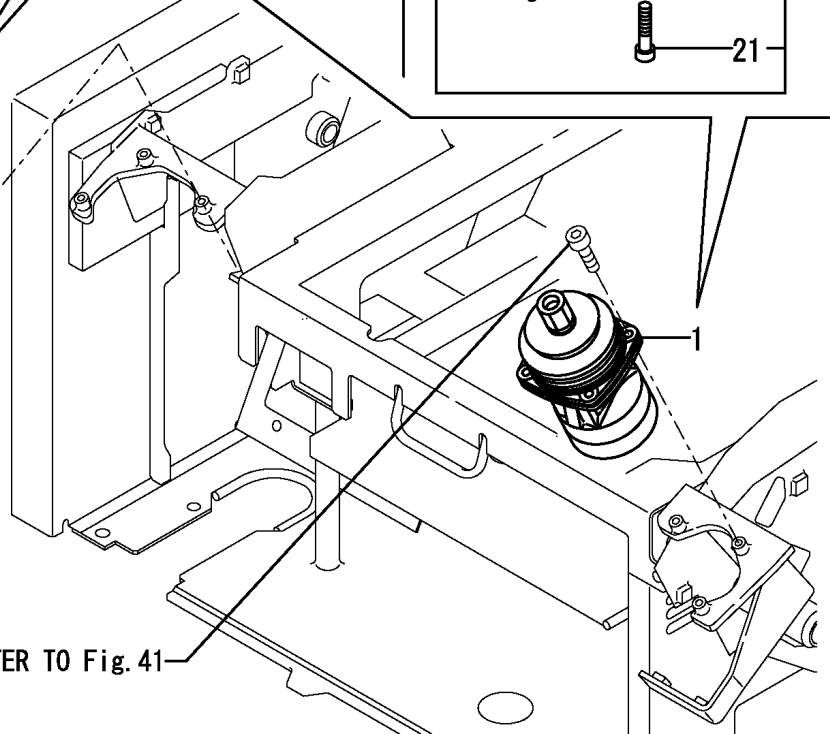




REFER TO Fig. 41

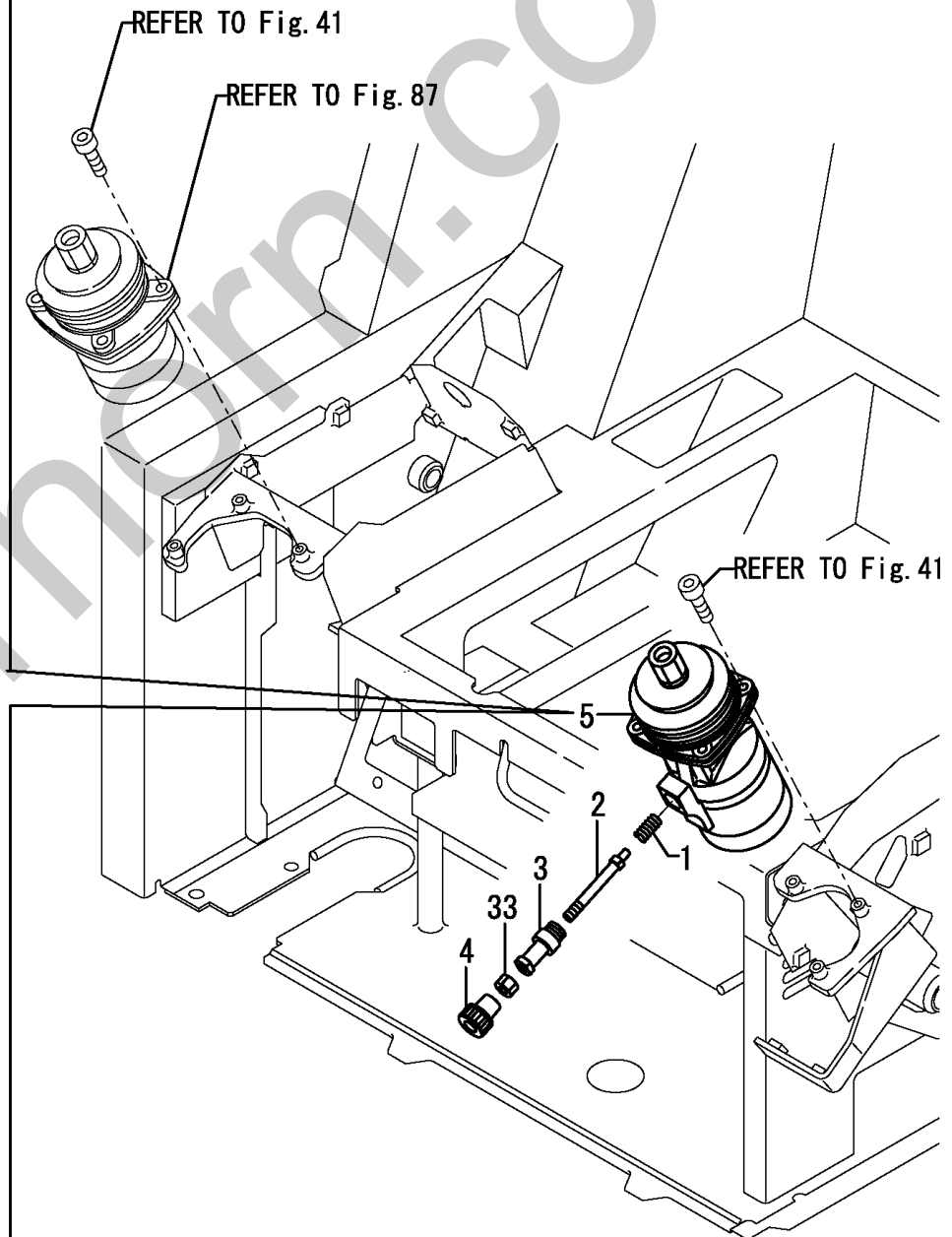
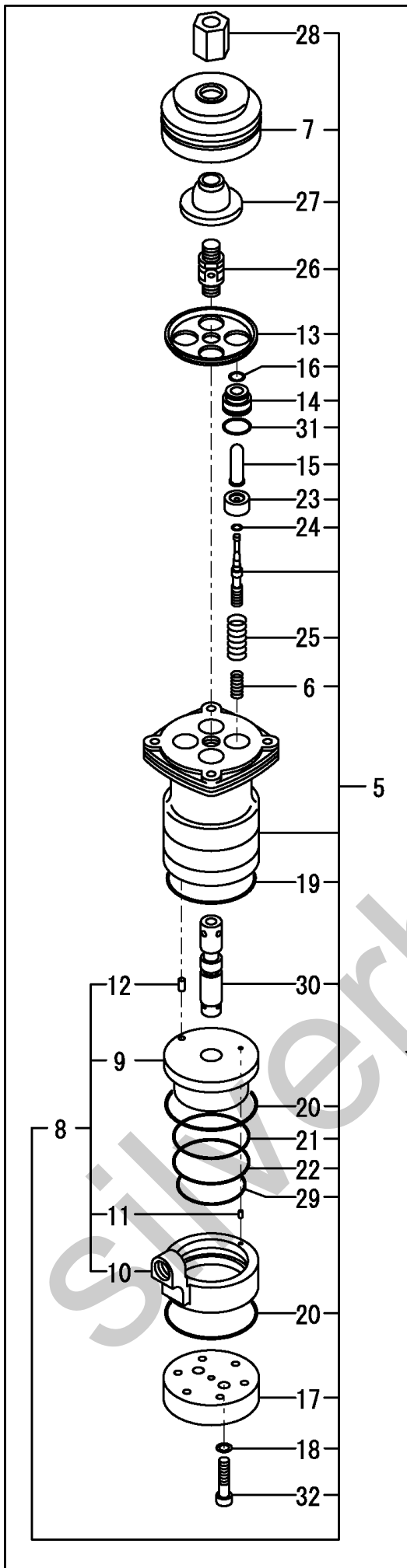


REFER TO Fig. 41









172478-08520

2ウェイマルチバルブキットは、項目135を参照下さい  
 2-WAY MULTI VALVE KIT is shown in Fig. 135

1,1,,172151-74601,,VALVE,1,1,,,,,,,,,,,,,,,,,,,,,  
2,2,,182900-16530,,,"COVER,LOWER",1,1,,,,,,,,,,,,,,,,,,,,,  
3,2,,182900-22300,,,"SPRING",1,1,,,,,,,,,,,,,,,,,,,,,  
4,2,,172151-74740,,,"PLATE, MARK",1,1,,,,,,,,,,,,,,,,,,,,,  
5,2,,182900-77190,,,"BOLT",8,8,,,,,,,,,,,,,,,,,,,,,  
6,2,,182900-77200,,,"BOLT",8,8,,,,,,,,,,,,,,,,,,,,,  
7,2,,182900-77210,,,"DUST SEAL",1,1,,,,,,,,,,,,,,,,,,,,,  
8,2,,182900-77220,,,"COVER",1,1,,,,,,,,,,,,,,,,,,,,,  
9,2,,182900-77230,,,"WING BOLT",1,1,,,,,,,,,,,,,,,,,,,,,  
10,2,,182900-77240,,,"BOLT",2,2,,,,,,,,,,,,,,,,,,,,,  
11,2,,182900-77250,,,"LEVER",1,1,,,,,,,,,,,,,,,,,,,,,  
12,2,,24190-100001,,,"BALL 5/16, STEEL",1,1,,,,,,,,,,,,,,,,,,,,,  
13,2,,24311-000280,,,"O-RING 1A P-28.0",1,1,,,,,,,,,,,,,,,,,,,,,  
14,2,,24321-000600,,,"O-RING 1A G-60.0",2,2,,,,,,,,,,,,,,,,,,,,,  
15,2,,953KM0-00220,,,"WASHER",2,2,,,,,,,,,,,,,,,,,,,,,  
16,2,,953KM0-00220,,,"WASHER",1,1,,,,,,,,,,,,,,,,,,,,,  
17,2,,953KM0-10894,,,"PLUG PT1/8",1,1,,,,,,,,,,,,,,,,,,,,,  
18,1,,26013-100202,,,"BOLT W/WASHER M10X20",3,3,,,,,,,,,,,,,,,,,,,,,  
19,2,,172444-03290,,,"MAGNET",1,1,,,,,,,,,,,,,,,,,,,,,  
20,2,,172151-03551,,,"LABEL",1,1,,,,,,,,,,,,,,,,,,,,,

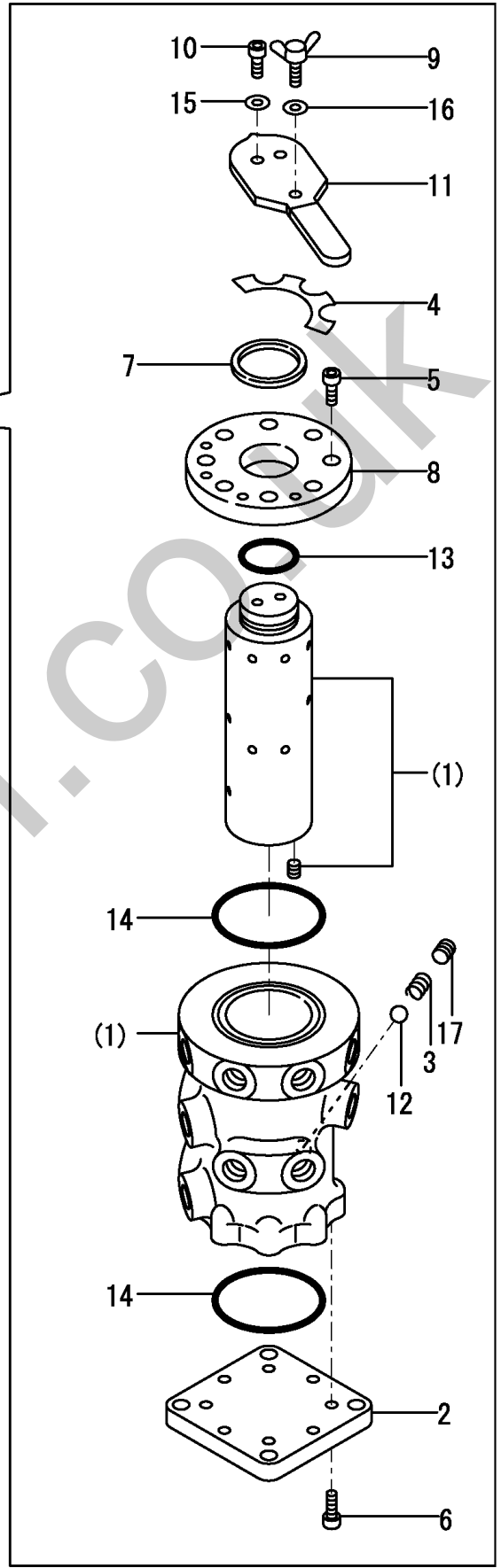
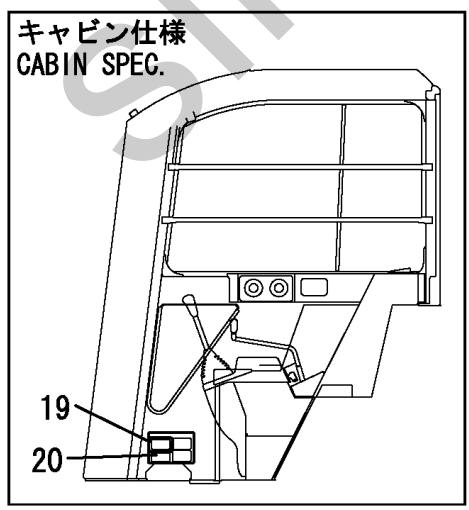
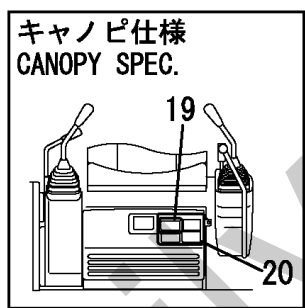
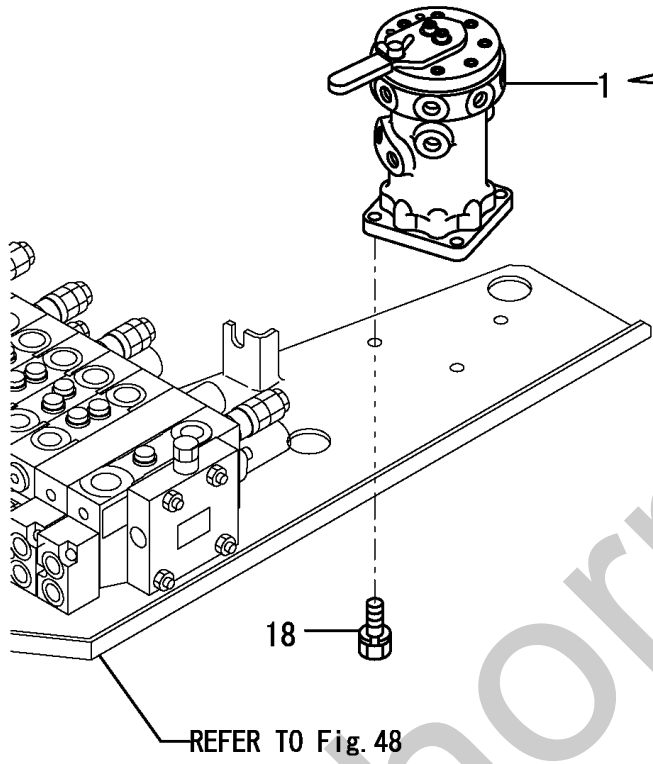
Silverhorn.CO.UK

172478-08510

4ウェイマルチバルブキットは、項目134を参照下さい  
4-WAY MULTI VALVE KIT is shown in Fig. 134

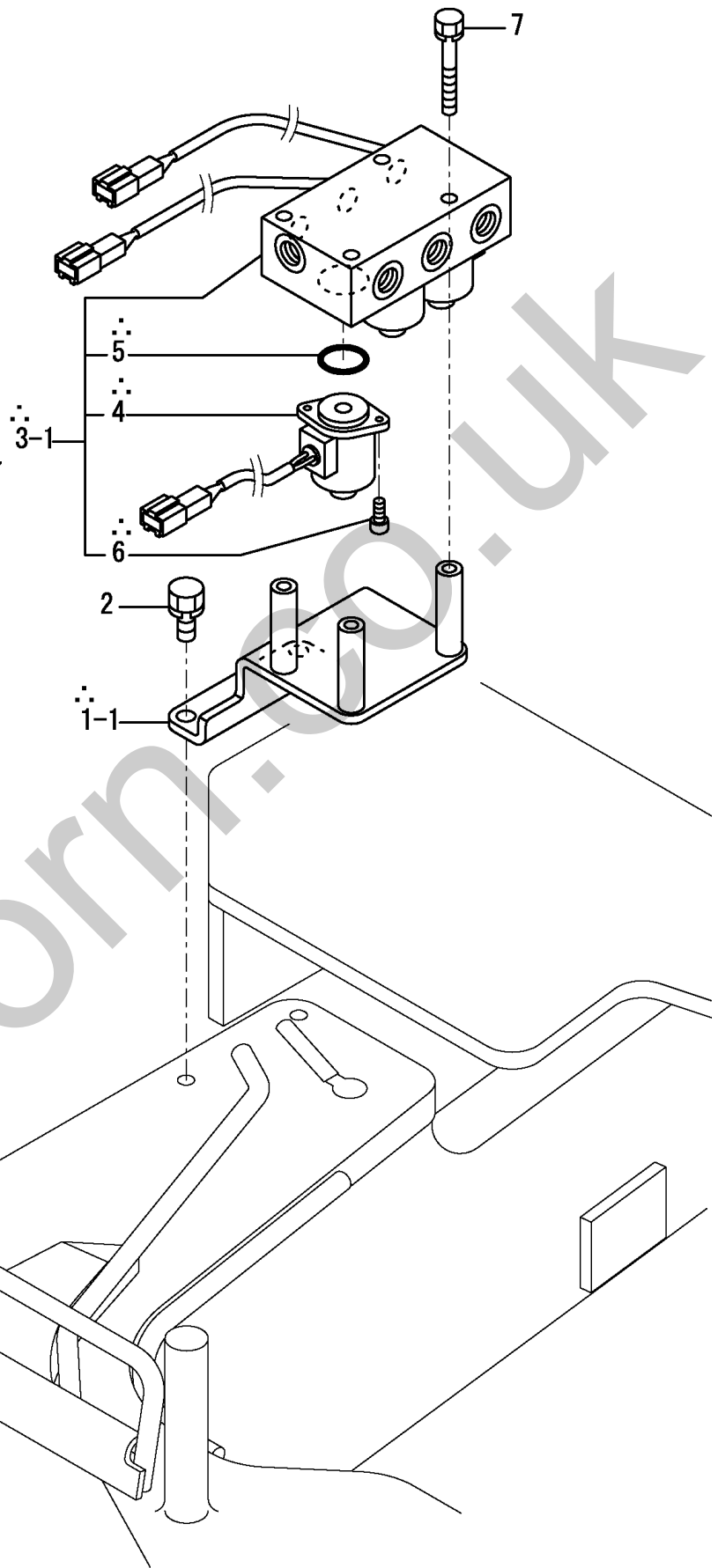
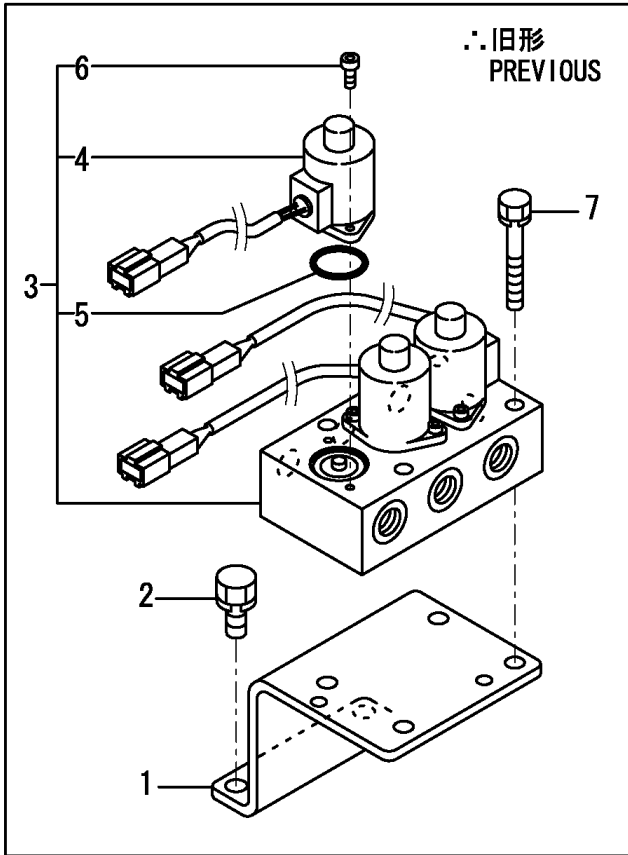
172478-08520

4ウェイマルチバルブキット（クレーン仕様）は、  
項目134を参照下さい  
4-WAY MULTI VALVE KIT (CRANE SPEC.)  
is shown in Fig. 134



1,1,,172478-71300,, "BRACKET,VALVE",1,1,,,,,,,,,,,,,  
1-1,1,,172478-71301,, "BRACKET ASSY,  
VALVE",1,1,,,,,S,,24880027,\*2003.07,248880027,\*2003.07,,,,,,,,,I  
2,1,,26013-100202,, "BOLT W/WASHER M10X20",2,2,,,,,,,,,,,,,  
3,1,,172187-77110,, "VALVE,SOLENOID",1,1,,,,,,,,,,,,,  
3-1,1,,172187-77111,, "VALVE,  
SOLENOID",1,1,,,,,N,,24880027,\*2003.07,24880027,\*2003.07,,,,,,,,,I  
4,2,,172649-74040,,SOLENOID,3,3,,,,,,,,,,,,,  
5,2,,24311-000220,, "O-RING 1A P-22.0",3,3,,,,,,,,,,,,,  
6,2,,26450-040102,, "BOLT 4\* 10",6,6,,,,,,,,,,,,,  
7,1,,26013-080602,, "BOLT M8X60",4,4,,,,,,,,,,,,,  
7-1,1,,26013-080602,, "BOLT  
M8X60",3,3,,,,,K,,24880027,\*2003.07,24880027,\*2003.07,,,,,,,,,I

Silverhorn.CO.UK



172478-08550

クレーンキット(キャビン)は、項目136を参照下さい。  
 CRANE KIT(CABIN) is shown in Fig.136.

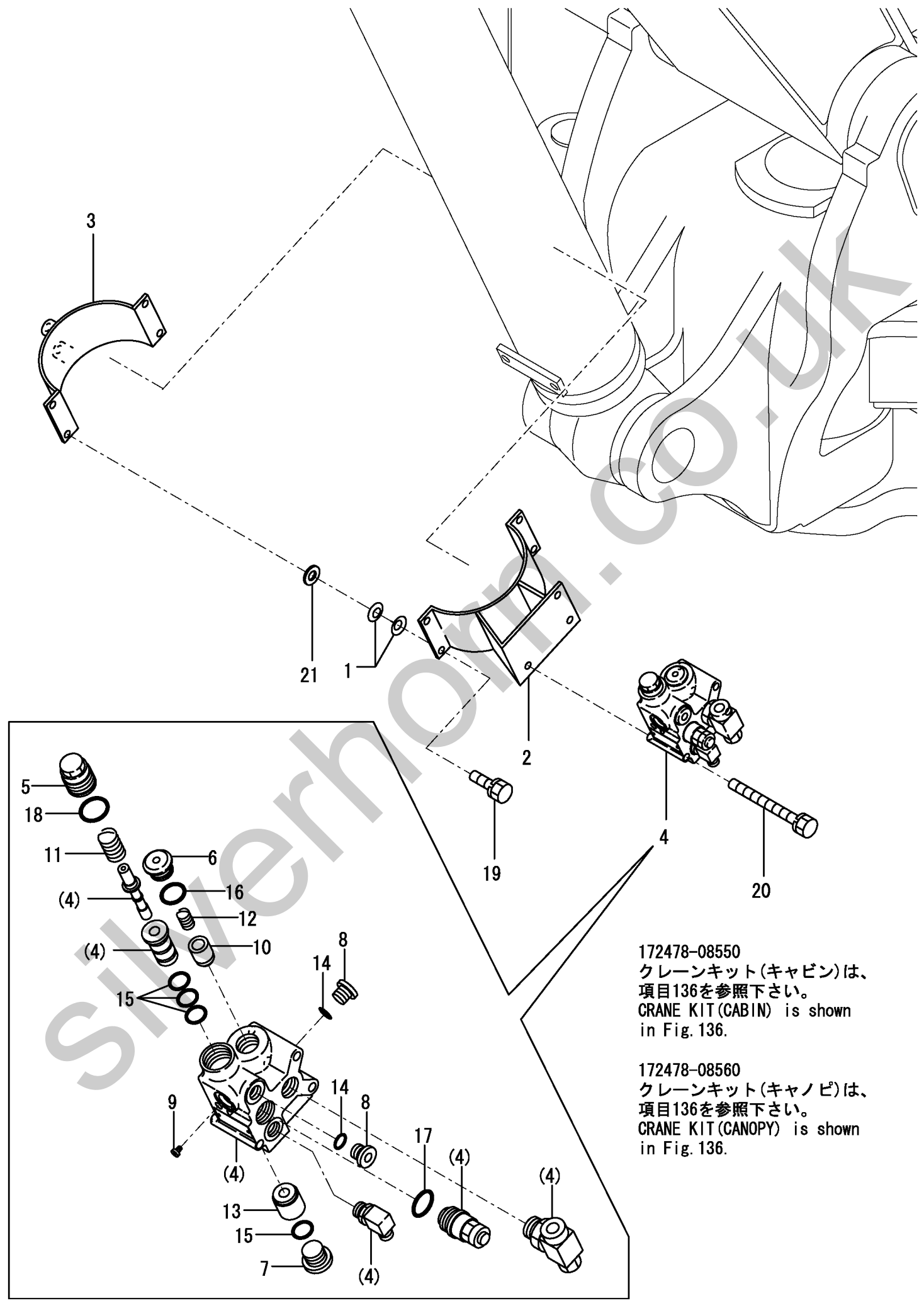
172478-08560

クレーンキット(キャノピ)は、項目136を参照下さい。  
 CRANE KIT(CANOPY) is shown in Fig.136.

∴印が今回変更(追記)した個所です。  
 ∴MARKED PART HAS BEEN CHANGED(ADDED).

1,1,,172068-28490,, "SPRING 8",8,8,,,,,,,,,,,,,,,,,,,,,  
2,1,,172187-77001,, "BAND A,BOOM (97)",1,1,,,,,,,,,,,,,,,,,,,,,  
3,1,,172187-77030,, "BAND B(BOOM(GREEN:97)",1,1,,,,,,,,,,,,,,,,,,,,,  
4,1,,172187-77100,, "VALVE,HOLD(BOOM)",1,1,,,,,,,,,,,,,,,,,,,,,  
5,2,,172455-77110,, PLUG,1,1,,,,,,,,,,,,,,,,,,,,,I  
6,2,,172455-77120,, PLUG,1,1,,,,,,,,,,,,,,,,,,,,,I  
7,2,,172455-77130,, PLUG,1,1,,,,,,,,,,,,,,,,,,,,,I  
8,2,,172455-77140,, PLUG,2,2,,,,,,,,,,,,,,,,,,,,,I  
9,2,,172455-77150,, PLUG,1,1,,,,,,,,,,,,,,,,,,,,,I  
10,2,,172455-77160,, POPPET,1,1,,,,,,,,,,,,,,,,,,,,,I  
11,2,,172455-77170,, SPRING,1,1,,,,,,,,,,,,,,,,,,,,,I  
12,2,,172455-77180,, SPRING,1,1,,,,,,,,,,,,,,,,,,,,,I  
13,2,,172455-77190,, PISTON,1,1,,,,,,,,,,,,,,,,,,,,,I  
14,2,,24315-000110,, "O-RING 1B P-11.0",2,2,,,,,,,,,,,,,,,,,,,,,I  
15,2,,24315-000160,, "O-RING 1B P-16.0",4,4,,,,,,,,,,,,,,,,,,,,,I  
16,2,,24315-000200,, "O-RING 1B P-20.0",1,1,,,,,,,,,,,,,,,,,,,,,I  
17,2,,24315-000220,, "O-RING 1B P-22.0",1,1,,,,,,,,,,,,,,,,,,,,,I  
18,2,,24315-350220,, "O-RING 1B P 22A",1,1,,,,,,,,,,,,,,,,,,,,,I  
19,1,,26013-080252,, "BOLT M 8X 25",4,4,,,,,,,,,,,,,,,,,,,,,  
20,1,,26013-080752,, "BOLT 8X 75",3,3,,,,,,,,,,,,,,,,,,,,,  
21,1,,22137-080000,, "WASHER 8, POLISHED",4,4,,,,,,,,,,,,,,,,,,,,,

Silverhorn.CO.UK



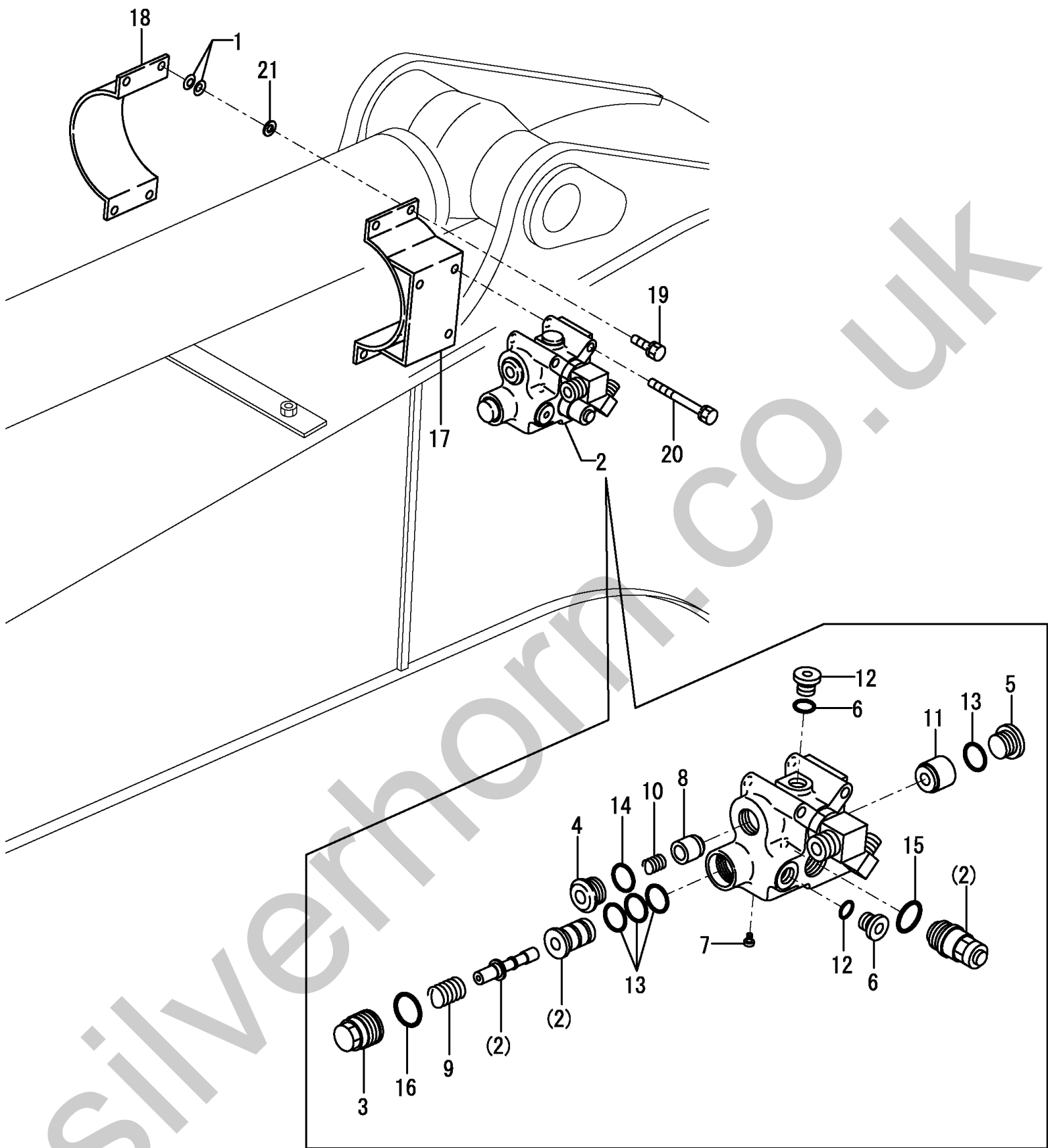
172478-08550  
 クレーンキット(キャビン)は、  
 項目136を参照下さい。  
 CRANE KIT(CABIN) is shown  
 in Fig. 136.

172478-08560  
 クレーンキット(キャノピー)は、  
 項目136を参照下さい。  
 CRANE KIT(CANOPY) is shown  
 in Fig. 136.



1,1,,172068-28490,, "SPRING 8",8,8,,,,,,,,,,,,,,,,,,,,,  
2,1,,172187-77090,, "VALVE,HOLD(ARM)",1,1,,,,,,,,,,,,,,,,,,,,,  
3,2,,172455-77110,, PLUG,1,1,,,,,,,,,,,,,,,,,,,,,I  
4,2,,172455-77120,, PLUG,1,1,,,,,,,,,,,,,,,,,,,,,I  
5,2,,172455-77130,, PLUG,1,1,,,,,,,,,,,,,,,,,,,,,I  
6,2,,172455-77140,, PLUG,2,2,,,,,,,,,,,,,,,,,,,,,I  
7,2,,172455-77150,, PLUG,1,1,,,,,,,,,,,,,,,,,,,,,I  
8,2,,172455-77160,, POPPET,1,1,,,,,,,,,,,,,,,,,,,,,I  
9,2,,172455-77170,, SPRING,1,1,,,,,,,,,,,,,,,,,,,,,I  
10,2,,172455-77180,, SPRING,1,1,,,,,,,,,,,,,,,,,,,,,I  
11,2,,172455-77190,, PISTON,1,1,,,,,,,,,,,,,,,,,,,,,I  
12,2,,24315-000110,, "O-RING 1B P-11.0",2,2,,,,,,,,,,,,,,,,,,,,,I  
13,2,,24315-000160,, "O-RING 1B P-16.0",4,4,,,,,,,,,,,,,,,,,,,,,I  
14,2,,24315-000200,, "O-RING 1B P-20.0",1,1,,,,,,,,,,,,,,,,,,,,,I  
15,2,,24315-000220,, "O-RING 1B P-22.0",1,1,,,,,,,,,,,,,,,,,,,,,I  
16,2,,24315-350220,, "O-RING 1B P 22A",1,1,,,,,,,,,,,,,,,,,,,,,I  
17,1,,172187-77200,, "BAND,A(ARM(GREEN:97)",1,1,,,,,,,,,,,,,,,,,,,,,  
18,1,,172187-77230,, "BAND,B(ARM(GREEN:97)",1,1,,,,,,,,,,,,,,,,,,,,,  
19,1,,26013-080252,, "BOLT M 8X 25",4,4,,,,,,,,,,,,,,,,,,,,,  
20,1,,26013-080752,, "BOLT 8X 75",3,3,,,,,,,,,,,,,,,,,,,,,  
21,1,,22137-080000,, "WASHER 8, POLISHED",4,4,,,,,,,,,,,,,,,,,,,,,

Silverhorn.CO.UK



172478-08550

クレーンキット(キャビン)は、項目136を参照下さい。  
CRANE KIT(CABIN) is shown in Fig.136.

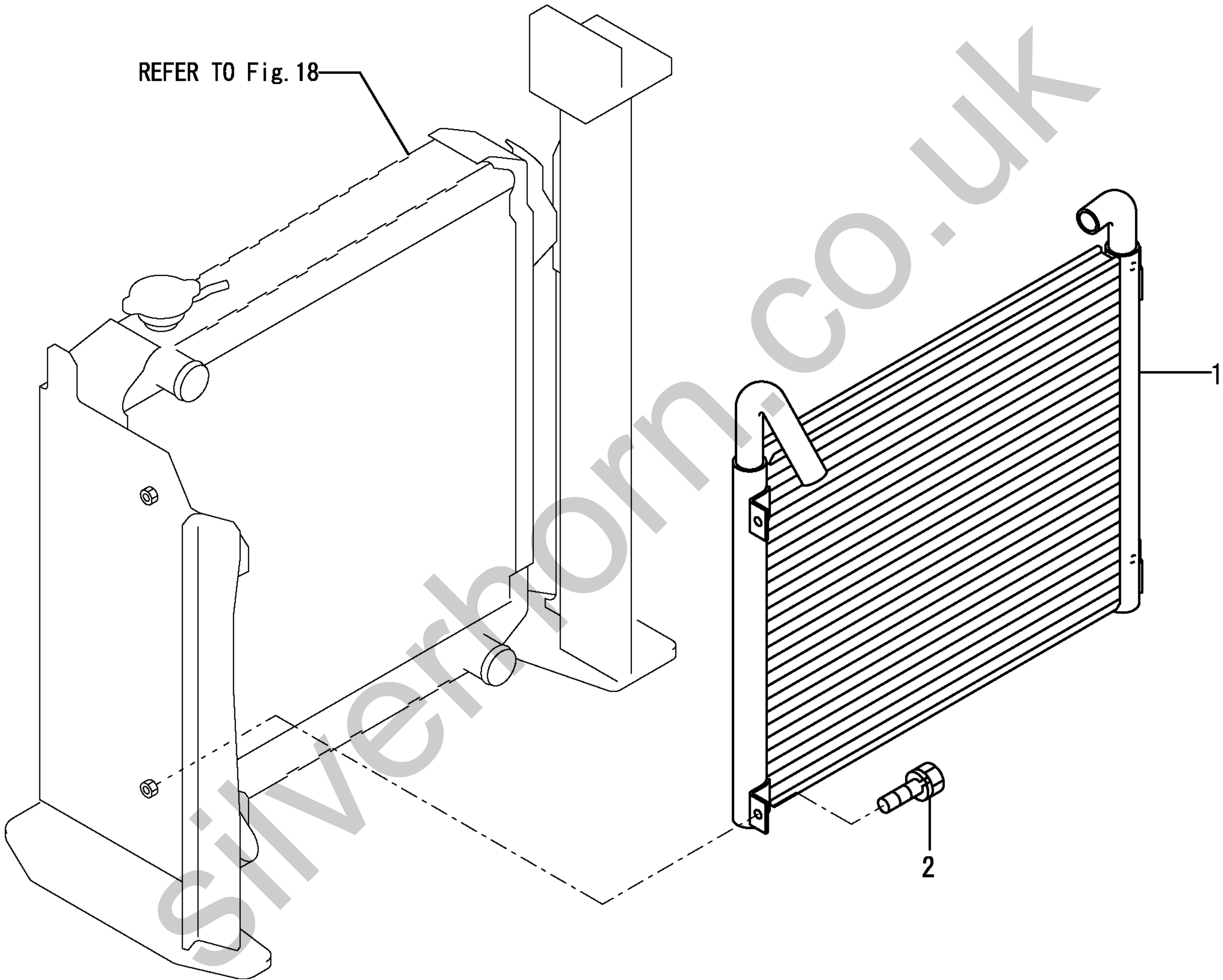
172478-08560

クレーンキット(キャノピ)は、項目136を参照下さい。  
CRANE KIT(CANOPY) is shown in Fig.136.

1,1,,172187-74800,, "OIL COOLER",1,1,1,,,,,,,,,,,,,,,,,,,,,  
2,1,,26013-080162,, "BOLT W/WASHER M8X16",4,4,4,,,,,,,,,,,,,,,,,,,,,

Silverhorn.CO.UK

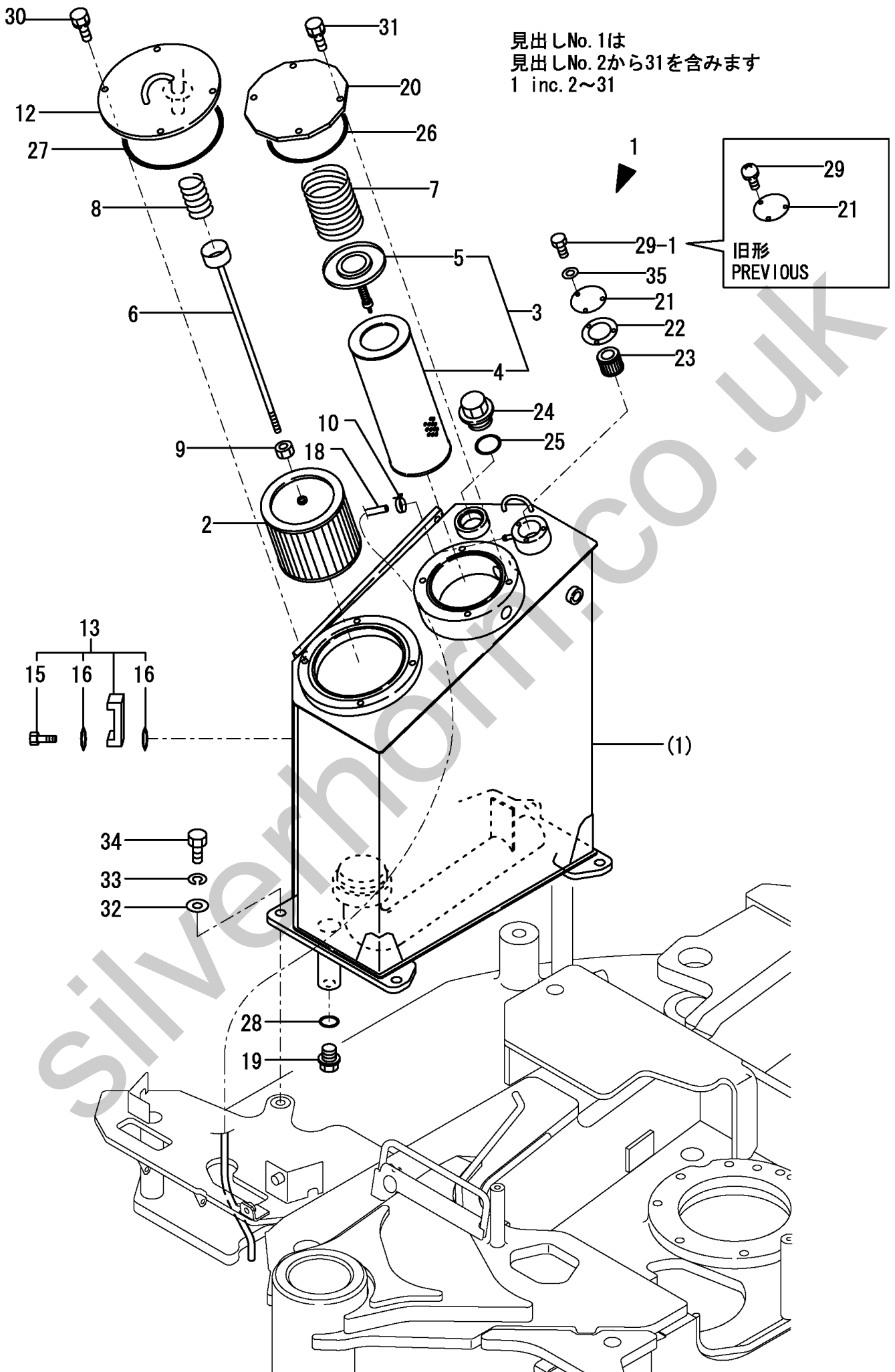
REFER TO Fig. 18



1,1,,772455-75100,, "RESERVOIR ASSY",1,1,,,,,,,,,,,,,  
 1-1,1,,772455-75101,, "RESERVOIR  
 ASSY",1,1,1,,,,,R,,72457042,M/#20613,72457042,M/#20613,,,,,,,,,I  
 2,2,,172162-73700,, "STRAINER,SUCTION",1,1,1,,,,,,,,,,,,,  
 3,2,,172187-73700,, "FILTER ASSY, RETURN",1,1,1,,,,,,,,,,,,,  
 4,3,,172187-73730,, ELEMENT,1,1,1,,,,,,,,,,,,,  
 5,3,,172112-74971,, "VALVE, BY-PASS",1,1,1,,,,,,,,,,,,,  
 6,2,,172141-73710,, "ROD, STRAINER",1,1,1,,,,,,,,,,,,,  
 7,2,,172112-75770,, "SPRING, STRAINER",1,1,1,,,,,,,,,,,,,  
 8,2,,172112-75780,, "SPRING, STRAINER",1,1,1,,,,,,,,,,,,,  
 9,2,,26716-100002,, "NUT 10",1,1,1,,,,,,,,,,,,,  
 10,2,,124766-59050,, "CLAMP 12",1,1,1,,,,,,,,,,,,,  
 12,2,,172455-75240,, COVER,1,1,1,,,,,,,,,,,,,  
 13,2,,172455-75270,, "GAUGE ASSY, OIL",1,1,1,,,,,,,,,,,,,  
 15,3,,172455-75290,, "BOLT M10",2,2,2,,,,,,,,,,,,,  
 16,3,,172455-75300,, O-RING,4,4,4,,,,,,,,,,,,,  
 18,2,,172455-75320,, HOSE,1,1,1,,,,,,,,,,,,,  
 19,2,,172455-75330,, "DRAIN PLIG 24",1,1,1,,,,,,,,,,,,,  
 20,2,,172187-75340-1,, "COVER A, HYD.OIL",1,1,1,,,,,,,,,,,,,  
 21,2,,172165-75450-2,, PLATE,1,1,1,,,,,,,,,,,,,  
 22,2,,172165-75460,, GASKET,1,1,1,,,,,,,,,,,,,  
 23,2,,172165-75481,, ELEMENT,1,1,1,,,,,,,,,,,,,  
 24,2,,172116-75850-5,, "PLUG,OIL FEED (96)",1,1,1,,,,,,,,,,,,,  
 25,2,,24311-000380,, "O-RING 1A P-38.0",1,1,1,,,,,,,,,,,,,  
 26,2,,24321-001350,, "O-RING 1A G-135.0",1,1,1,,,,,,,,,,,,,  
 27,2,,24321-001700,, "O-RING 1A G-170.0",1,1,1,,,,,,,,,,,,,  
 28,2,,24341-000300,, "O-RING 1A S-30.0",1,1,1,,,,,,,,,,,,,  
 29,2,,26022-050102,, "SCREW M 5X 10",3,3,3,,,,,,,,,,,,,  
 29-1,2,,26116-050102,, "BOLT M 5X 10  
 PLATED",3,3,3,,,,,R,,72460302,M/#20613,72460302,M/#20613,,,,,,,,,I  
 30,2,,26013-100202,, "BOLT W/WASHER M10X20",4,4,4,,,,,,,,,,,,,  
 31,2,,26013-100202,, "BOLT W/WASHER M10X20",4,4,4,,,,,,,,,,,,,  
 32,1,,22137-160000,, "WASHER 16,POLISHED",4,4,4,,,,,,,,,,,,,  
 33,1,,22217-160000,, "SPRING WASHER 16",4,4,4,,,,,,,,,,,,,  
 34,1,,26116-160402,, "BOLT M16X 40 PLATED",4,4,4,,,,,,,,,,,,,  
 35,1,,22217-050000,, "SPRING WASHER  
 5",3,3,3,,,,,W,,72460302,M/#20613,72460302,M/#20613,,,,,,,,,I

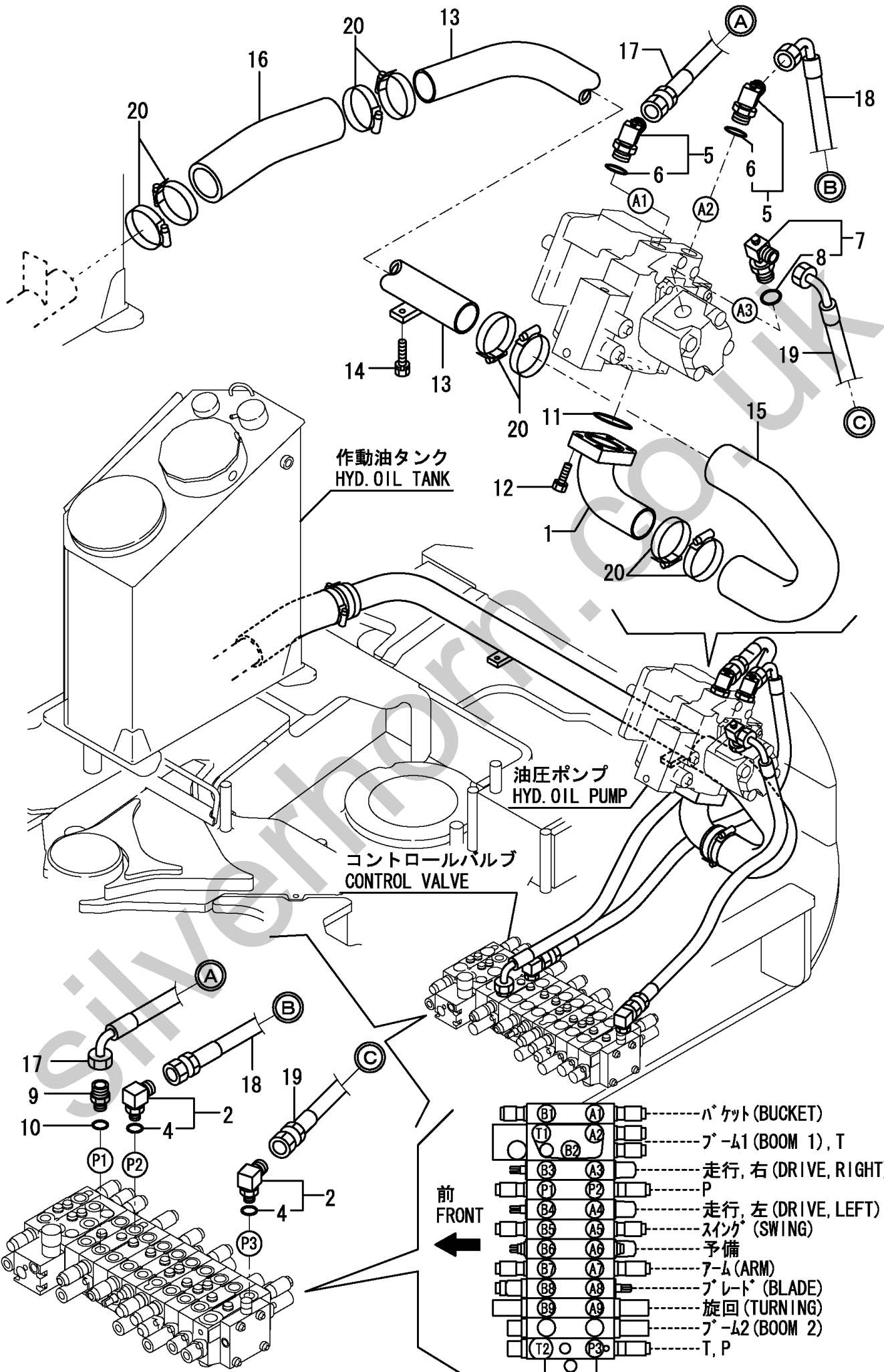


見出しNo. 1は  
見出しNo. 2から31を含みます  
1 inc. 2~31



1,1,,172455-76100,,FLANGE,1,1,1,,,,,,,,,,,,,  
2,1,,172151-76160,,ELBOW,2,2,2,,,,,,,,,,,,,  
4,2,,24315-000180,,,"O-RING 1B P-18.0",2,2,2,,,,,,,,,,,,,  
5,1,,172187-76190,,ELBOW,2,2,2,,,,,,,,,,,,,  
6,2,,24315-000240,,,"O-RING 1B P-24.0",2,2,2,,,,,,,,,,,,,  
7,1,,172455-76190,,ELBOW,1,1,1,,,,,,,,,,,,,  
8,2,,24315-000240,,,"O-RING 1B P-24.0",1,1,1,,,,,,,,,,,,,  
9,1,,172455-76200,,,"CONNECTOR 1/2-3/4",1,1,1,,,,,,,,,,,,,  
10,1,,24315-000180,,,"O-RING 1B P-18.0",1,1,1,,,,,,,,,,,,,  
11,1,,24325-000650,,,"O-RING 1B G-65.0",1,1,1,,,,,,,,,,,,,  
12,1,,26013-120402,,,"BOLT M12X 40",4,4,4,,,,,,,,,,,,,  
13,1,,172455-76400,,,"TUBE, SUC.",1,1,1,,,,,,,,,,,,,  
14,1,,26013-100402,,,"BOLT M10X 40",2,2,2,,,,,,,,,,,,,  
15,1,,172455-78100,,,"HOSE 59A",1,1,1,,,,,,,,,,,,,  
16,1,,172455-78110,,,"HOSE 59B",1,1,1,,,,,,,,,,,,,  
17,1,,172455-78130,,,"HOSE G110BC138",1,1,1,,,,,,,,,,,,,  
18,1,,172455-78140,,,"HOSE G110BE113",1,1,1,,,,,,,,,,,,,  
19,1,,172455-78150,,,"HOSE G110BC084",1,1,1,,,,,,,,,,,,,  
20,1,,23001-090000,,,"HOSE CLAMP 90",8,8,8,,,,,,,,,,,,,

Silverhorn.CO.UK

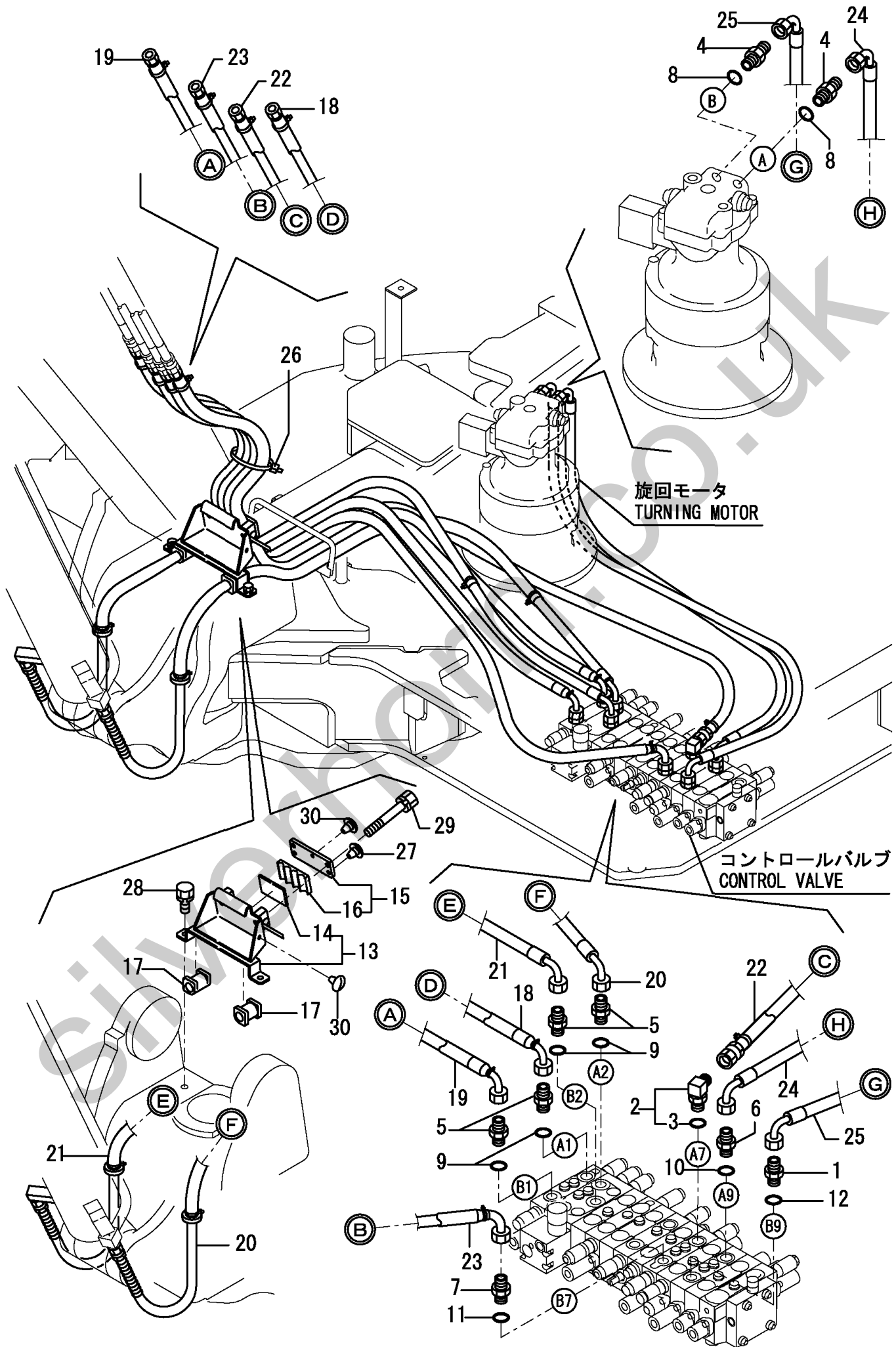


□	(B)	□	(A1)	□	バケット (BUCKET)
○	(T1)	○	(A2)	□	ブーム1 (BOOM 1), T
□	(B2)	□	(A3)	□	走行, 右 (DRIVE, RIGHT)
□	(P1)	□	(A4)	□	P
□	(B3)	□	(A5)	□	走行, 左 (DRIVE, LEFT)
□	(B4)	□	(A6)	□	スイング (SWING)
□	(B5)	□	(A7)	□	予備
□	(B6)	□	(A8)	□	アーム (ARM)
□	(B7)	□	(A9)	□	ブレード (BLADE)
□	(B8)	□	(A9)	□	旋回 (TURNING)
□	(B9)	□	(A9)	□	ブーム2 (BOOM 2)
○	(T2)	○	(P3)	□	T, P



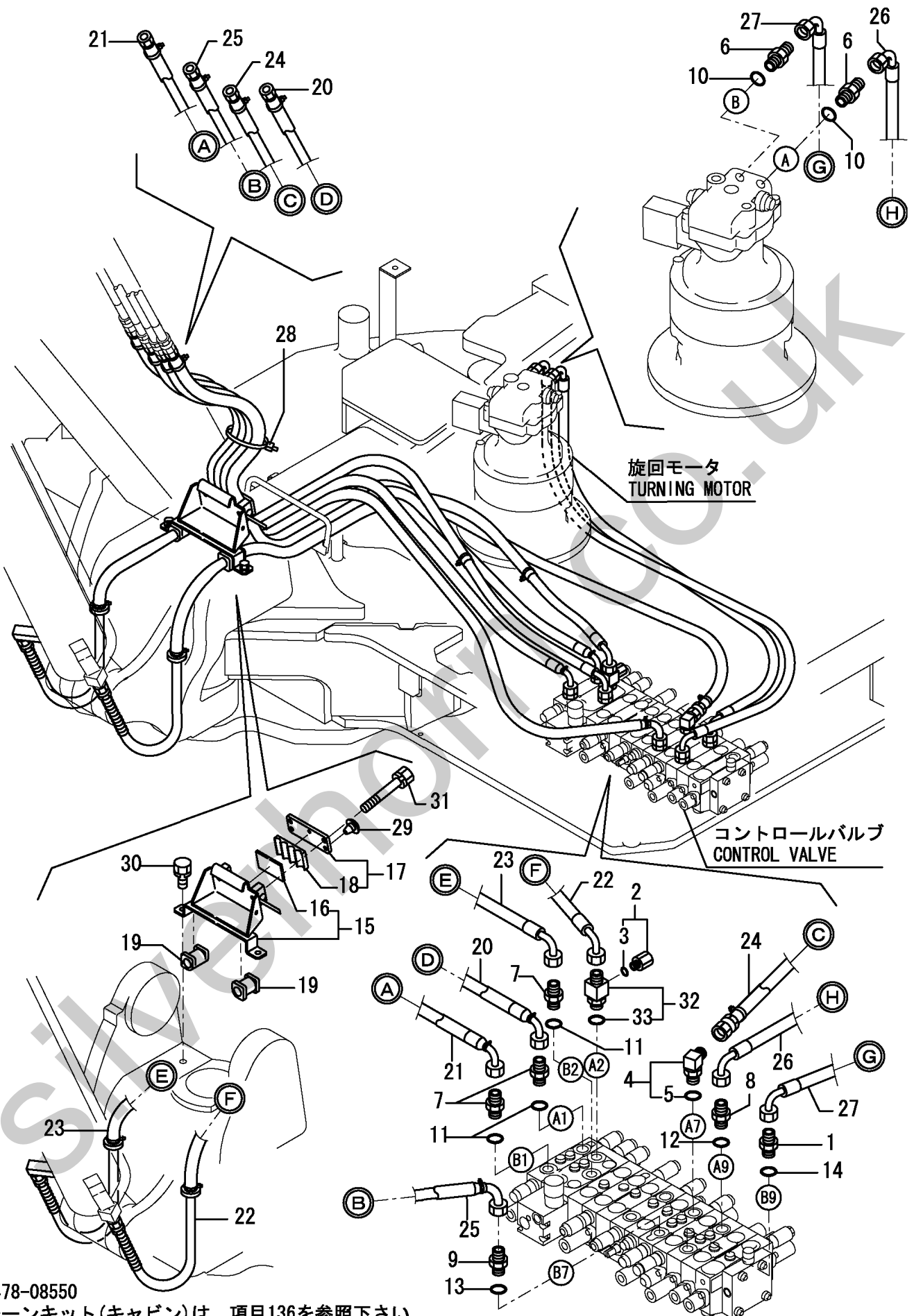
1,1,,172147-76271,,CONNECTOR,1,1,1,,,,,,,,,,,,,  
2,1,,172141-76900,, "CONNECTOR 1/2L",1,1,1,,,,,,,,,,,,,  
3,2,,24315-000180,, "O-RING 1B P-18.0",1,1,1,,,,,,,,,,,,,  
4,1,,172112-77361,,CONNECTOR,2,2,2,,,,,,,,,,,,,  
5,1,,172112-77361,,CONNECTOR,4,4,4,,,,,,,,,,,,,  
6,1,,172112-77361,,CONNECTOR,1,1,1,,,,,,,,,,,,,  
7,1,,172112-77361,,CONNECTOR,1,1,1,,,,,,,,,,,,,  
8,1,,24315-000180,, "O-RING 1B P-18.0",2,2,2,,,,,,,,,,,,,  
9,1,,24315-000180,, "O-RING 1B P-18.0",4,4,4,,,,,,,,,,,,,  
10,1,,24315-000180,, "O-RING 1B P-18.0",1,1,1,,,,,,,,,,,,,  
11,1,,24315-000180,, "O-RING 1B P-18.0",1,1,1,,,,,,,,,,,,,  
12,1,,24315-000180,, "O-RING 1B P-18.0",1,1,1,,,,,,,,,,,,,  
13,1,,172478-76590,, "CLAMP,HOSE(GREEN:97)",1,1,1,,,,,,,,,,,,,  
14,2,,172187-76650,, "RUBBER, SUPPORT",1,1,1,,,,,,,,,,,,,  
15,1,,172478-76640,, "PLATE ASSY(GREEN:97)",1,1,1,,,,,,,,,,,,,  
16,2,,172187-76700,,RUBBER,1,1,1,,,,,,,,,,,,,  
17,1,,172187-78100,, "RUBBER A",2,2,2,,,,,,,,,,,,,  
18,1,,172478-78200,, "HOSE H208BC209K",1,1,1,,,,,,,,,,,,,  
19,1,,172478-78210,, "HOSE H208BC219K",1,1,1,,,,,,,,,,,,,  
20,1,,172478-78220,, "HOSE H208BC220W",1,1,1,,,,,,,,,,,,,  
21,1,,172478-78230,, "HOSE H208BC234W",1,1,1,,,,,,,,,,,,,  
22,1,,172478-78240,, "HOSE H208BB260K",1,1,1,,,,,,,,,,,,,  
23,1,,172478-78250,, "HOSE H208BC254K",1,1,1,,,,,,,,,,,,,  
24,1,,172455-78310,, "HOSE H108CC150",1,1,1,,,,,,,,,,,,,  
25,1,,172455-78320,, "HOSE H108CC166",1,1,1,,,,,,,,,,,,,  
26,1,,172122-79930,, "CLAMP B",1,1,1,,,,,,,,,,,,,  
27,1,,172183-81160,, "TREE CLIP",2,2,2,,,,,,,,,,,,,  
28,1,,26013-100202,, "BOLT W/WASHER M10X20",2,2,2,,,,,,,,,,,,,  
29,1,,26013-100602,, "BOLT M10X 60",2,2,2,,,,,,,,,,,,,  
30,1,,172444-17660,,CLIP,2,2,2,,,,,,,,,,,,,





1,1,,172147-76271,,CONNECTOR,1,1,,,,,,,,,,,,,,,,,,,,,  
2,1,,172187-76310,, "CONNECTOR,SENSOR",1,1,,,,,,,,,,,,,,,,,,,,,  
3,2,,24315-000110,, "O-RING 1B P-11.0",1,1,,,,,,,,,,,,,,,,,,,,,  
4,1,,172141-76900,, "CONNECTOR 1/2L",1,1,,,,,,,,,,,,,,,,,,,,,  
5,2,,24315-000180,, "O-RING 1B P-18.0",1,1,,,,,,,,,,,,,,,,,,,,,  
6,1,,172112-77361,,CONNECTOR,2,2,,,,,,,,,,,,,,,,,,,,,  
7,1,,172112-77361,,CONNECTOR,3,3,,,,,,,,,,,,,,,,,,,,,  
8,1,,172112-77361,,CONNECTOR,1,1,,,,,,,,,,,,,,,,,,,,,  
9,1,,172112-77361,,CONNECTOR,1,1,,,,,,,,,,,,,,,,,,,,,  
10,1,,24315-000180,, "O-RING 1B P-18.0",2,2,,,,,,,,,,,,,,,,,,,,,  
11,1,,24315-000180,, "O-RING 1B P-18.0",3,3,,,,,,,,,,,,,,,,,,,,,  
12,1,,24315-000180,, "O-RING 1B P-18.0",1,1,,,,,,,,,,,,,,,,,,,,,  
13,1,,24315-000180,, "O-RING 1B P-18.0",1,1,,,,,,,,,,,,,,,,,,,,,  
14,1,,24315-000180,, "O-RING 1B P-18.0",1,1,,,,,,,,,,,,,,,,,,,,,  
15,1,,172478-76590,, "CLAMP,HOSE(GREEN:97)",1,1,,,,,,,,,,,,,,,,,,,,,  
16,2,,172187-76650,, "RUBBER, SUPPORT",1,1,,,,,,,,,,,,,,,,,,,,,  
17,1,,172478-76640,, "PLATE ASSY(GREEN:97)",1,1,,,,,,,,,,,,,,,,,,,,,  
18,2,,172187-76700,,RUBBER,1,1,,,,,,,,,,,,,,,,,,,,,  
19,1,,172187-78100,, "RUBBER A",2,2,,,,,,,,,,,,,,,,,,,,,  
20,1,,172478-78200,, "HOSE H208BC209K",1,1,,,,,,,,,,,,,,,,,,,,,  
21,1,,172478-78210,, "HOSE H208BC219K",1,1,,,,,,,,,,,,,,,,,,,,,  
22,1,,172478-78220,, "HOSE H208BC220W",1,1,,,,,,,,,,,,,,,,,,,,,  
23,1,,172478-78230,, "HOSE H208BC234W",1,1,,,,,,,,,,,,,,,,,,,,,  
24,1,,172478-78240,, "HOSE H208BB260K",1,1,,,,,,,,,,,,,,,,,,,,,  
25,1,,172478-78250,, "HOSE H208BC254K",1,1,,,,,,,,,,,,,,,,,,,,,  
26,1,,172455-78310,, "HOSE H108CC150",1,1,,,,,,,,,,,,,,,,,,,,,  
27,1,,172455-78320,, "HOSE H108CC166",1,1,,,,,,,,,,,,,,,,,,,,,  
28,1,,172122-79930,, "CLAMP B",1,1,,,,,,,,,,,,,,,,,,,,,  
29,1,,172183-81160,, "TREE CLIP",2,2,,,,,,,,,,,,,,,,,,,,,  
30,1,,26013-100202,, "BOLT W/WASHER M10X20",2,2,,,,,,,,,,,,,,,,,,,,,  
31,1,,26013-100602,, "BOLT M10X 60",2,2,,,,,,,,,,,,,,,,,,,,,  
32,1,,172187-76300,, "ADJUSTABLE TEE",1,1,,,,,,,,,,,,,,,,,,,,,  
33,2,,24315-000180,, "O-RING 1B P-18.0",1,1,,,,,,,,,,,,,,,,,,,,,



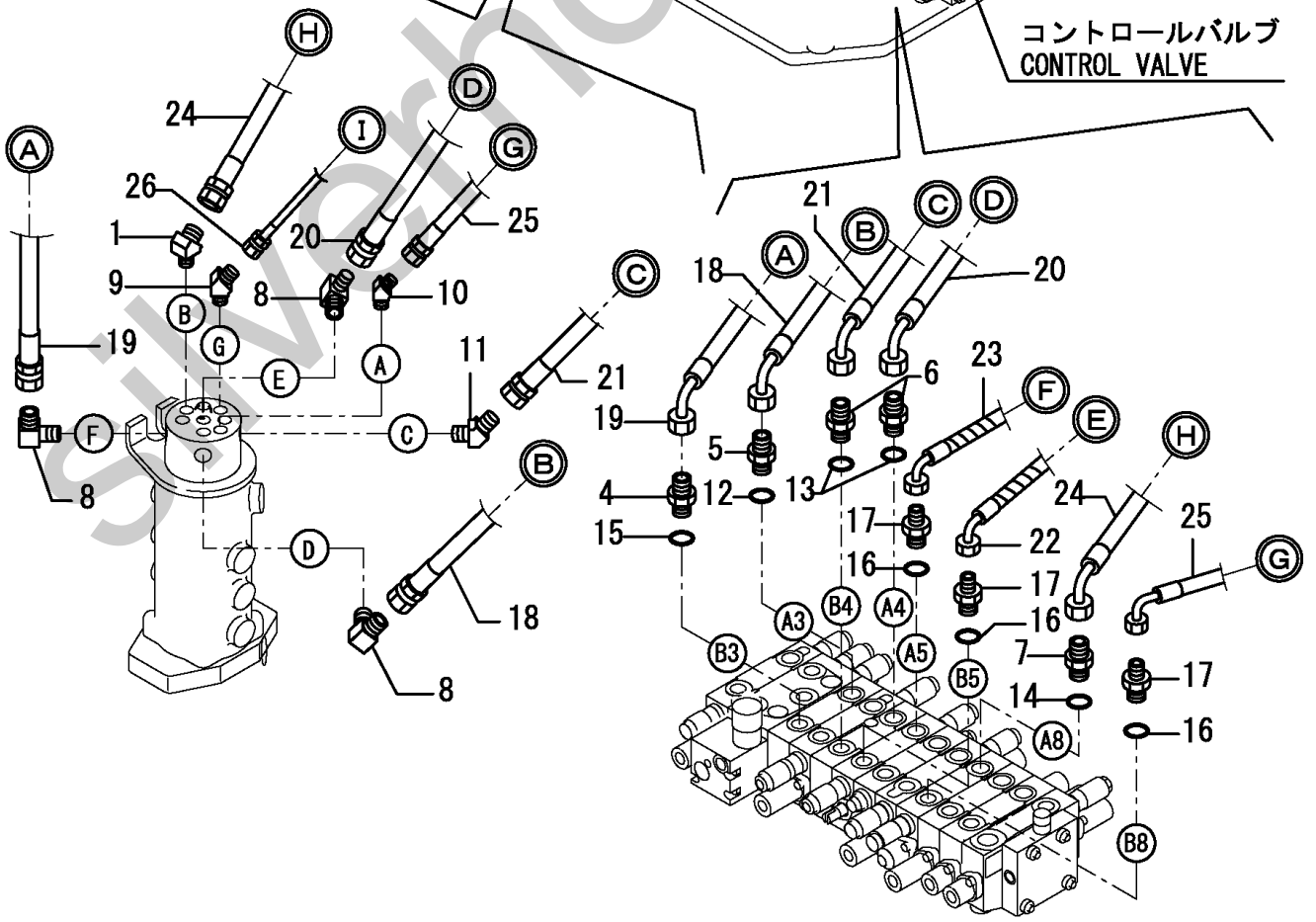
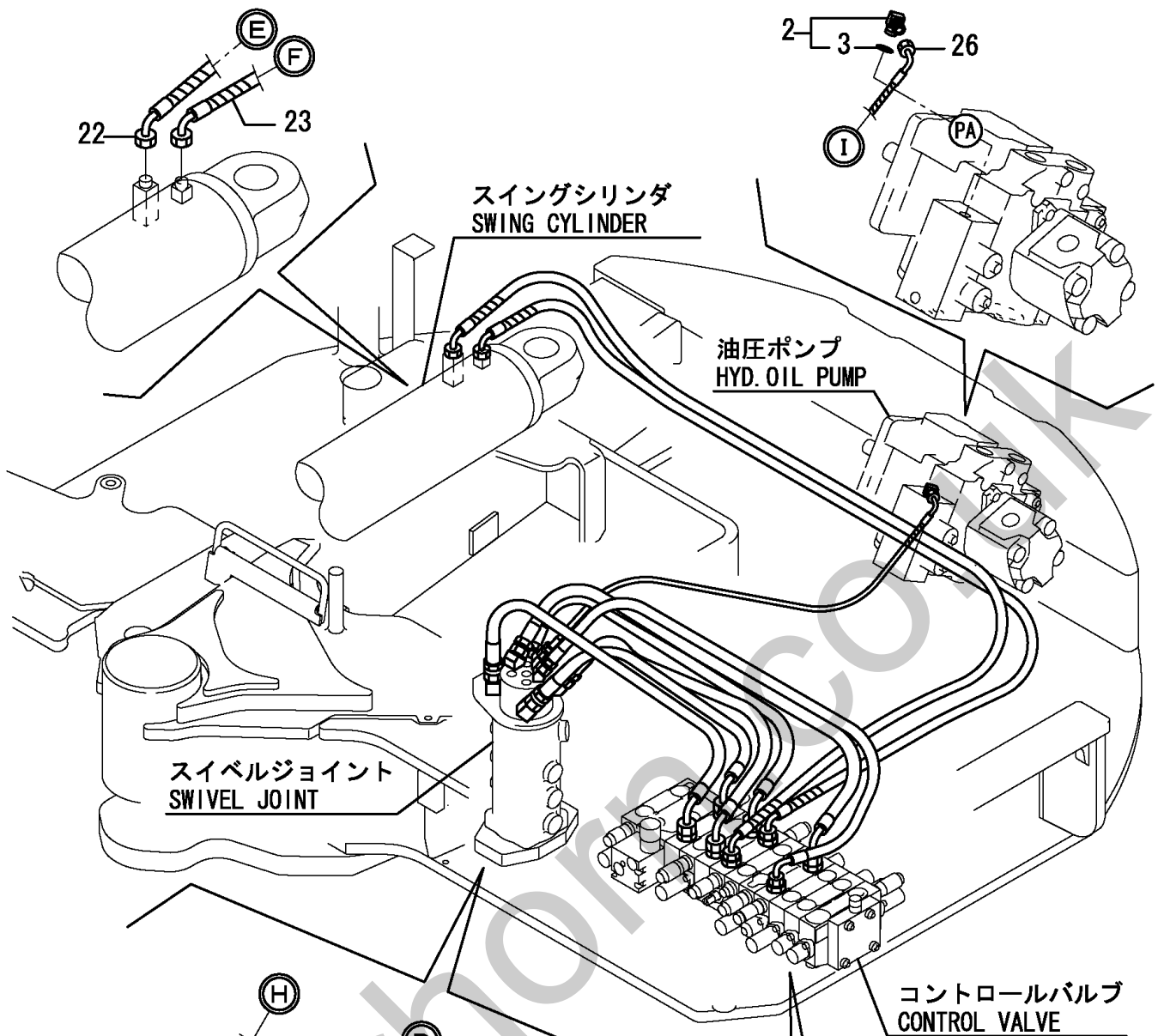


172478-08550  
 クレーンキット(キャビン)は、項目136を参照下さい。  
 CRANE KIT(CABIN) is shown in Fig.136.

172478-08560  
 クレーンキット(キャノピ)は、項目136を参照下さい。  
 CRANE KIT(CANOPY) is shown in Fig.136.

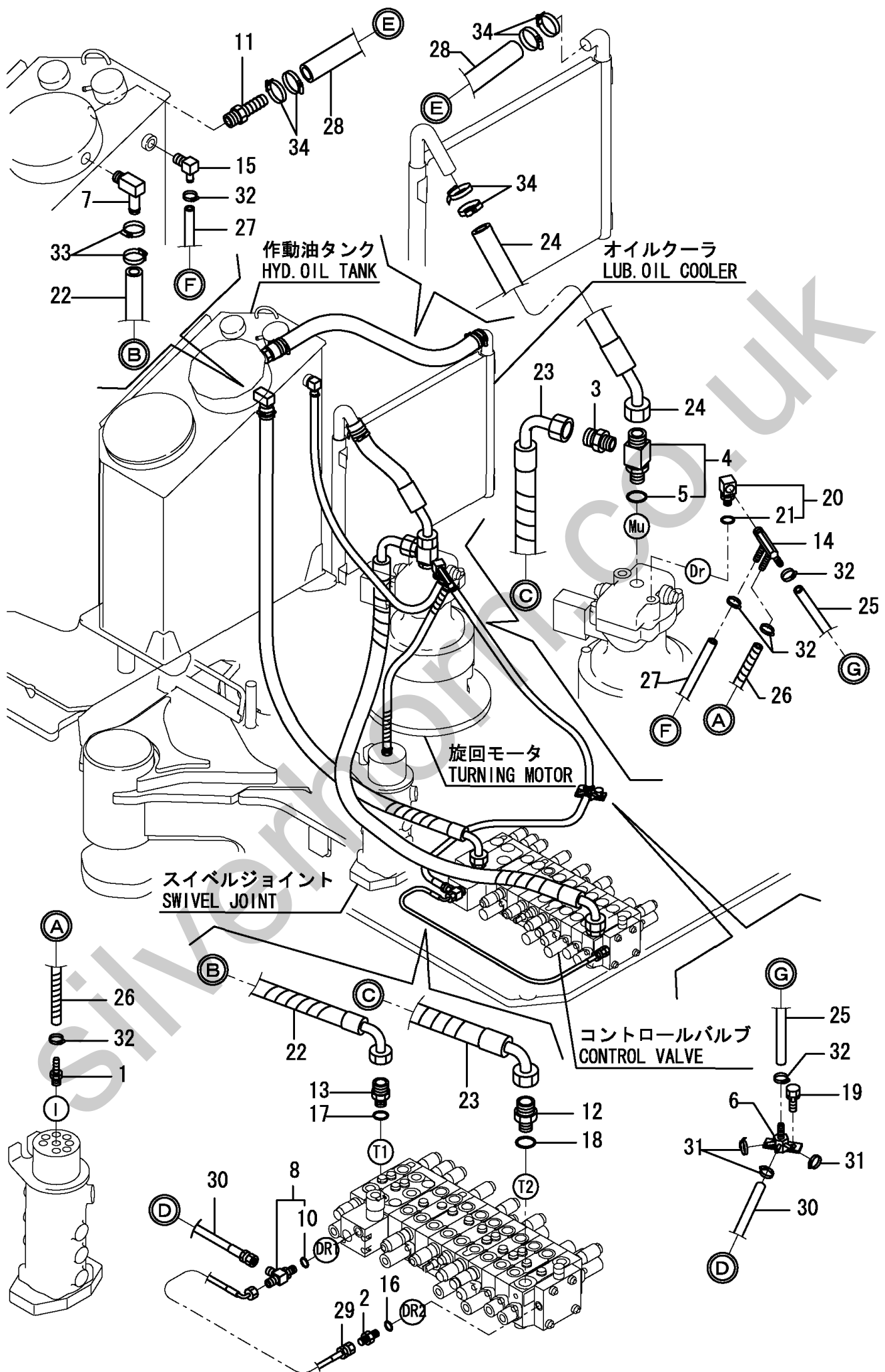
1,1,,172312-76020,,ELBOW,1,1,1,,,,,,,,,,,,,  
2,1,,172141-76180,,CONNECTOR,1,1,1,,,,,,,,,,,,,  
3,2,,24315-000110,,,"O-RING 1B P-11.0",1,1,1,,,,,,,,,,,,,  
4,1,,172147-76271,,CONNECTOR,1,1,1,,,,,,,,,,,,,  
5,1,,172112-77361,,CONNECTOR,1,1,1,,,,,,,,,,,,,  
6,1,,172112-77361,,CONNECTOR,2,2,2,,,,,,,,,,,,,  
7,1,,172112-77361,,CONNECTOR,1,1,1,,,,,,,,,,,,,  
8,1,,23393-040000,,,"JOINT 90RGI 1/2",3,3,3,,,,,,,,,,,,,  
9,1,,23394-020000,,,"JOINT 45RGI1/4",1,1,1,,,,,,,,,,,,,  
10,1,,23394-030000,,,"JOINT 45RGI 3/8",1,1,1,,,,,,,,,,,,,  
11,1,,23394-040000,,,"JOINT 45RGI1/2",1,1,1,,,,,,,,,,,,,  
12,1,,24315-000180,,,"O-RING 1B P-18.0",1,1,1,,,,,,,,,,,,,  
13,1,,24315-000180,,,"O-RING 1B P-18.0",2,2,2,,,,,,,,,,,,,  
14,1,,24315-000180,,,"O-RING 1B P-18.0",1,1,1,,,,,,,,,,,,,  
15,1,,24315-000180,,,"O-RING 1B P-18.0",1,1,1,,,,,,,,,,,,,  
16,1,,24315-000180,,,"O-RING 1B P-18.0",3,3,3,,,,,,,,,,,,,  
17,1,,933160-01370,,,"CONNECTOR PF1/2-3/8",3,3,3,,,,,,,,,,,,,  
18,1,,172455-78210,,,"HOSE H208BC068S",1,1,1,,,,,,,,,,,,,  
19,1,,172455-78220,,,"HOSE H208BC095S",1,1,1,,,,,,,,,,,,,  
20,1,,172455-78230,,,"HOSE H108BC089",1,1,1,,,,,,,,,,,,,  
21,1,,172455-78240,,,"HOSE H208BC083S",1,1,1,,,,,,,,,,,,,  
22,1,,172478-78260,,,"HOSE H206CC242S",1,1,1,,,,,,,,,,,,,  
23,1,,172478-78270,,,"HOSE H206CC225S",1,1,1,,,,,,,,,,,,,  
24,1,,172455-78290,,,"HOSE H208BC110",1,1,1,,,,,,,,,,,,,  
25,1,,172455-78300,,,"HOSE H106BC111",1,1,1,,,,,,,,,,,,,  
26,1,,172478-78670,,,"HOSE F403BC110S",1,1,1,,,,,,,,,,,,,

Silverhorn.CO.UK



1,1,,172137-76110,, "NIPPLE 3/8",1,1,1,,,,,,,,,,,,,  
2,1,,172123-76121,, "JOINT PF1/4",1,1,1,,,,,,,,,,,,,  
3,1,,172187-76131,, "CONNECTER(PF3/4-PT3/4)",1,1,1,,,,,,,,,,,,,  
4,1,,172187-76141,, "CONNECTOR(PF1-PF3/4)",1,1,1,,,,,,,,,,,,,  
5,2,,24315-000240,, "O-RING 1B P-24.0",1,1,1,,,,,,,,,,,,,  
6,1,,172187-76160,, "JOINT",1,1,1,,,,,,,,,,,,,  
7,1,,172455-76160,, "ELBOW 90 3/4",1,1,1,,,,,,,,,,,,,  
8,1,,172162-76180,, "JOINT 3-1/4 COMPL.",1,1,1,,,,,,,,,,,,,  
10,2,,24315-000110,, "O-RING 1B P-11.0",1,1,1,,,,,,,,,,,,,  
11,1,,172187-76180,, "NIPPLE, HOSE",1,1,1,,,,,,,,,,,,,  
12,1,,172151-76200,, "JOINT PF3/4- 1",1,1,1,,,,,,,,,,,,,  
13,1,,172187-76200,, "ADAPTER",1,1,1,,,,,,,,,,,,,  
14,1,,172455-76240,, "JOINT 3/8",1,1,1,,,,,,,,,,,,,  
15,1,,172168-76370,, "ELBOW",1,1,1,,,,,,,,,,,,,  
16,1,,24315-000110,, "O-RING 1B P-11.0",1,1,1,,,,,,,,,,,,,  
17,1,,24315-000180,, "O-RING 1B P-18.0",1,1,1,,,,,,,,,,,,,  
18,1,,24315-000240,, "O-RING 1B P-24.0",1,1,1,,,,,,,,,,,,,  
19,1,,26013-100202,, "BOLT W/WASHER M10X20",2,2,2,,,,,,,,,,,,,  
20,1,,933111-50001,, "CONNECTOR",1,1,1,,,,,,,,,,,,,  
21,2,,24315-000140,, "O-RING 1B P-14.0",1,1,1,,,,,,,,,,,,,  
22,1,,172455-78160,, "HOSE G712CY177S",1,1,1,,,,,,,,,,,,,  
23,1,,172455-78330,, "HOSE G616CC170S",1,1,1,,,,,,,,,,,,,  
24,1,,172455-78340,, "HOSE G616EY044",1,1,1,,,,,,,,,,,,,  
25,1,,172455-78350,, "HOSE G806YY075",1,1,1,,,,,,,,,,,,,  
26,1,,172455-78360,, "HOSE G806YY045S",1,1,1,,,,,,,,,,,,,  
27,1,,172455-78370,, "HOSE G806YY120",1,1,1,,,,,,,,,,,,,  
28,1,,172455-78380,, "HOSE G616YY068",1,1,1,,,,,,,,,,,,,  
29,1,,172478-78630,, "HOSE F403BC089",1,1,1,,,,,,,,,,,,,  
30,1,,172455-78730,, "HOSE G804BY071",1,1,1,,,,,,,,,,,,,  
31,1,,23000-013000,, "CLAMP 13",3,3,3,,,,,,,,,,,,,  
32,1,,23001-016000,, "HOSE CLAMP 16",6,6,6,,,,,,,,,,,,,  
33,1,,23001-035000,, "HOSE CLAMP 35",2,2,2,,,,,,,,,,,,,  
34,1,,23001-041000,, "CLIP 41,HOSE",6,6,6,,,,,,,,,,,,,

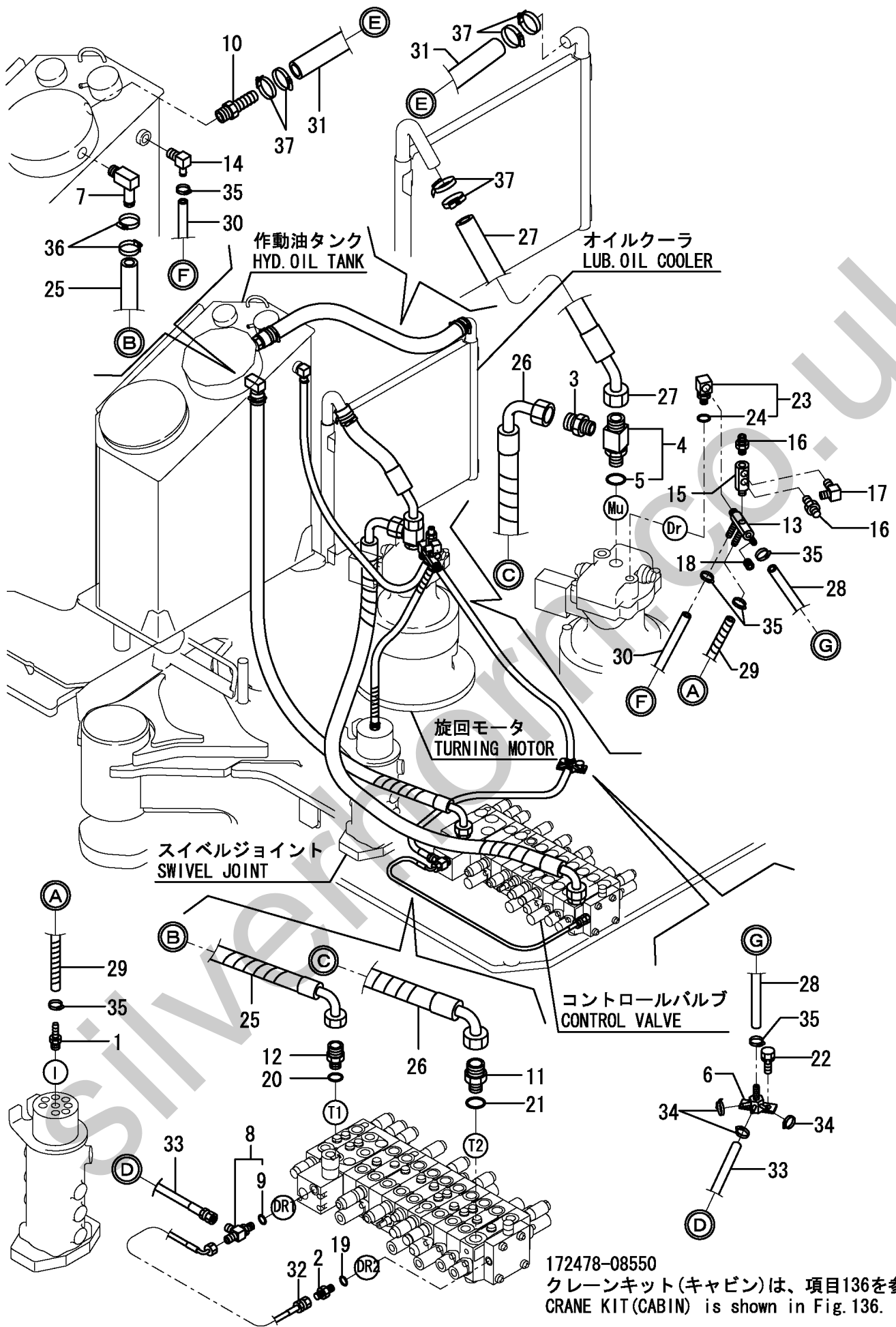






1,1,,172137-76110,, "NIPPLE 3/8",1,1,,,,,,,,,,,,,,,,,,,,,  
 2,1,,172123-76121,, "JOINT PF1/4",1,1,,,,,,,,,,,,,,,,,,,,,  
 3,1,,172187-76131,, "CONNECTER(PF3/4-PT3/4)",1,1,,,,,,,,,,,,,,,,,,,,,  
 4,1,,172187-76141,, "CONNECTOR(PF1-PF3/4)",1,1,,,,,,,,,,,,,,,,,,,,,  
 5,2,,24315-000240,, "O-RING 1B P-24.0",1,1,,,,,,,,,,,,,,,,,,,,,  
 6,1,,172187-76160,, "JOINT",1,1,,,,,,,,,,,,,,,,,,,,,  
 7,1,,172455-76160,, "ELBOW 90 3/4",1,1,,,,,,,,,,,,,,,,,,,,,  
 8,1,,172162-76180,, "JOINT 3-1/4 COMPL.",1,1,,,,,,,,,,,,,,,,,,,,,  
 9,2,,24315-000110,, "O-RING 1B P-11.0",1,1,,,,,,,,,,,,,,,,,,,,,  
 10,1,,172187-76180,, "NIPPLE, HOSE",1,1,,,,,,,,,,,,,,,,,,,,,  
 11,1,,172151-76200,, "JOINT PF3/4- 1",1,1,,,,,,,,,,,,,,,,,,,,,  
 12,1,,172187-76200,, "ADAPTER",1,1,,,,,,,,,,,,,,,,,,,,,  
 13,1,,172187-76350,, "CONNECTOR,CRANE",1,1,,,,,,,,,,,,,,,,,,,,,  
 14,1,,172168-76370,, "ELBOW",1,1,,,,,,,,,,,,,,,,,,,,,  
 15,1,,172151-76580,, "CONNECTOR",1,1,,,,,,,,,,,,,,,,,,,,,  
 16,1,,23391-020000,, "JOINT RGI1/4",2,2,,,,,,,,,,,,,,,,,,,,,  
 17,1,,23393-020000,, "JOINT 90RGI1/4",1,1,,,,,,,,,,,,,,,,,,,,,  
 18,1,,23871-020000,, "PLUG PT1/4,SCREW",1,1,,,,,,,,,,,,,,,,,,,,,  
 19,1,,24315-000110,, "O-RING 1B P-11.0",1,1,,,,,,,,,,,,,,,,,,,,,  
 20,1,,24315-000180,, "O-RING 1B P-18.0",1,1,,,,,,,,,,,,,,,,,,,,,  
 21,1,,24315-000240,, "O-RING 1B P-24.0",1,1,,,,,,,,,,,,,,,,,,,,,  
 22,1,,26013-100202,, "BOLT W/WASHER M10X20",2,2,,,,,,,,,,,,,,,,,,,,,  
 23,1,,933111-50001,, "CONNECTOR",1,1,,,,,,,,,,,,,,,,,,,,,  
 24,2,,24315-000140,, "O-RING 1B P-14.0",1,1,,,,,,,,,,,,,,,,,,,,,  
 25,1,,172455-78160,, "HOSE G712CY177S",1,1,,,,,,,,,,,,,,,,,,,,,  
 26,1,,172455-78330,, "HOSE G616CC170S",1,1,,,,,,,,,,,,,,,,,,,,,  
 27,1,,172455-78340,, "HOSE G616EY044",1,1,,,,,,,,,,,,,,,,,,,,,  
 28,1,,172455-78350,, "HOSE G806YY075",1,1,,,,,,,,,,,,,,,,,,,,,  
 29,1,,172455-78360,, "HOSE G806YY045S",1,1,,,,,,,,,,,,,,,,,,,,,  
 30,1,,172455-78370,, "HOSE G806YY120",1,1,,,,,,,,,,,,,,,,,,,,,  
 31,1,,172455-78380,, "HOSE G616YY068",1,1,,,,,,,,,,,,,,,,,,,,,  
 32,1,,172478-78630,, "HOSE F403BC089",1,1,,,,,,,,,,,,,,,,,,,,,  
 33,1,,172455-78730,, "HOSE G804BY071",1,1,,,,,,,,,,,,,,,,,,,,,  
 34,1,,23000-013000,, "CLAMP 13",3,3,,,,,,,,,,,,,,,,,,,,,  
 35,1,,23001-016000,, "HOSE CLAMP 16",6,6,,,,,,,,,,,,,,,,,,,,,  
 36,1,,23001-035000,, "HOSE CLAMP 35",2,2,,,,,,,,,,,,,,,,,,,,,  
 37,1,,23001-041000,, "CLIP 41,HOSE",6,6,,,,,,,,,,,,,,,,,,,,,





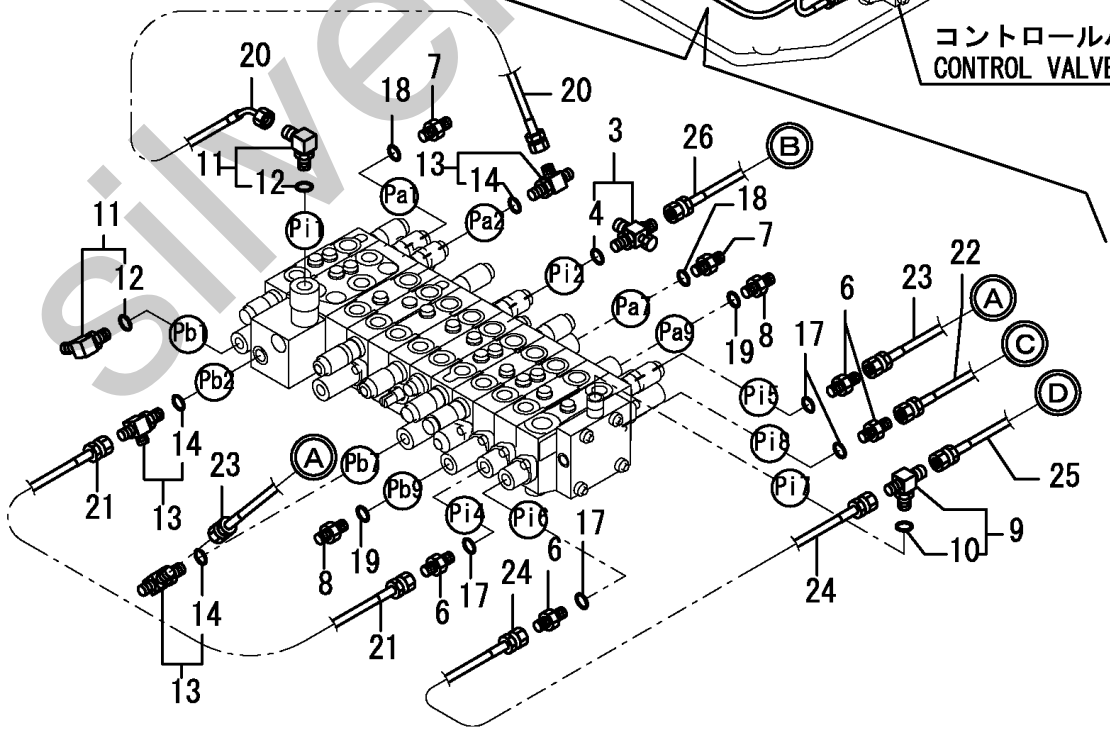
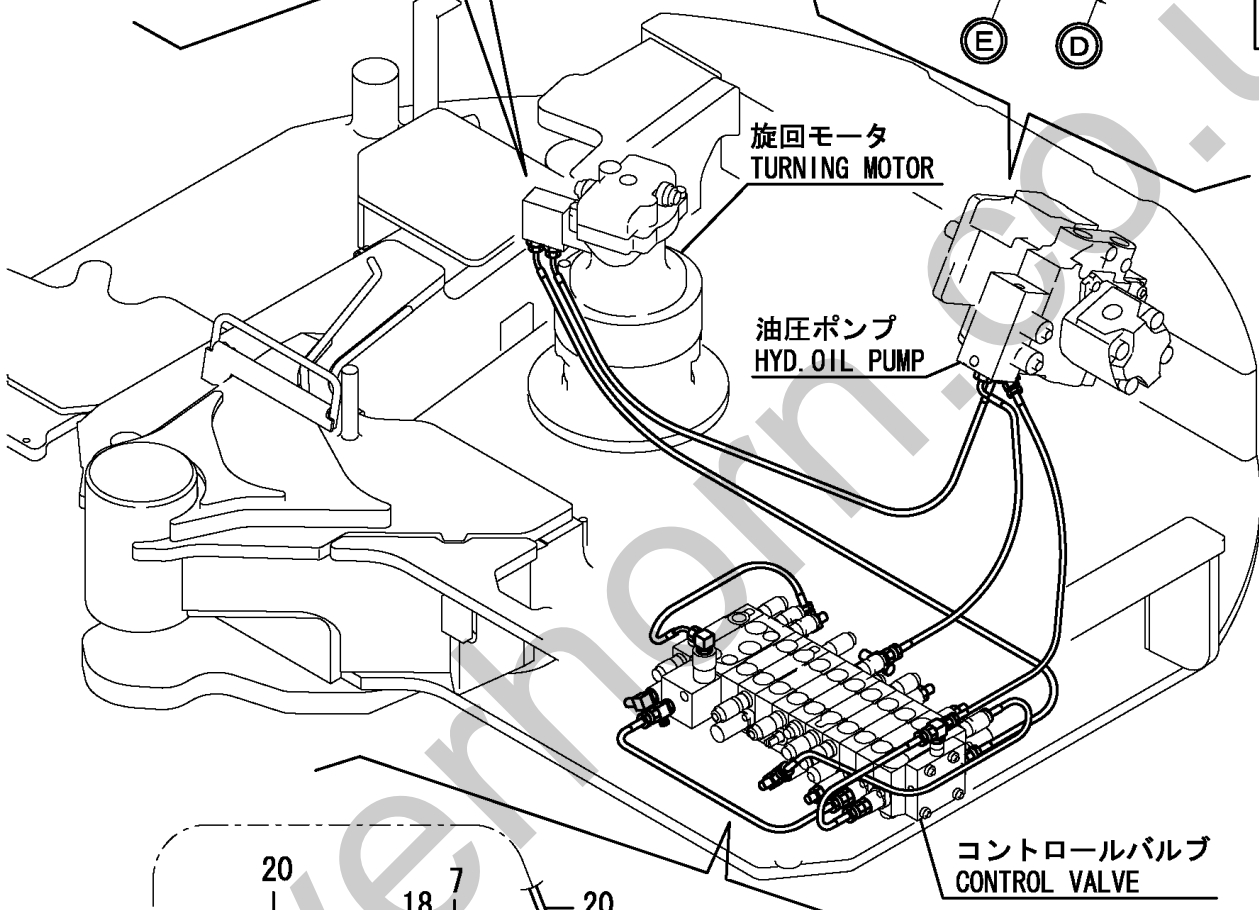
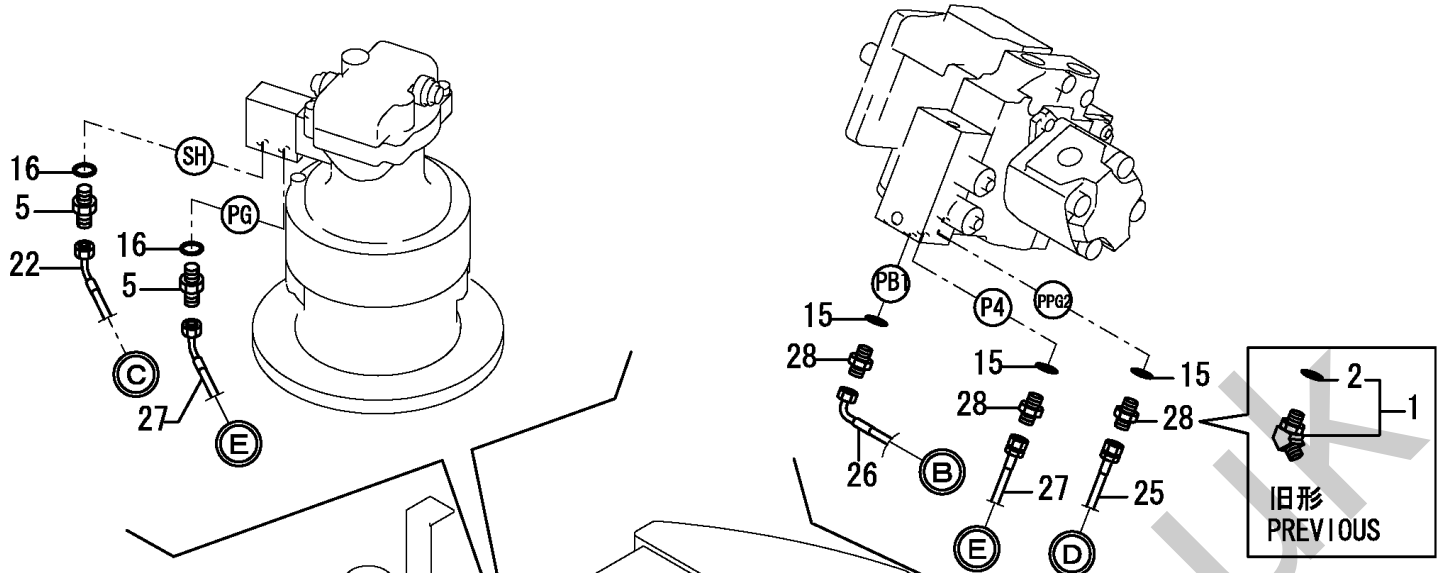
172478-08550

クレーンキット(キャビン)は、項目136を参照下さい。  
CRANE KIT(CABIN) is shown in Fig. 136.

172478-08560

クレーンキット(キャノピ)は、項目136を参照下さい。  
CRANE KIT(CANOPY) is shown in Fig. 136.

1,1,,172173-  
76100,,CONNECTOR,1,1,,,,,Z,,72478089,M/#20501,72478089,M/#20501,,,,,,,,,I  
2,2,,24315-000110,, "O-RING 1B P-  
11.0",1,1,,,,,Z,,72478089,M/#20501,72478089,M/#20501,,,,,,,,,I  
3,1,,172457-76100,, "ADJUSTABLE TEE",1,1,1,,,,,,,,,  
4,2,,24315-000110,, "O-RING 1B P-11.0",1,1,1,,,,,,,,,  
5,1,,172123-76121,, "JOINT PF1/4",2,2,2,,,,,,,,,  
6,1,,172123-76121,, "JOINT PF1/4",4,4,4,,,,,,,,,  
7,1,,172123-76121,, "JOINT PF1/4",2,2,2,,,,,,,,,  
8,1,,172123-76121,, "JOINT PF1/4",2,2,2,,,,,,,,,  
9,1,,172187-76170,, THEETH,1,1,1,,,,,,,,,  
10,2,,24315-000110,, "O-RING 1B P-11.0",1,1,1,,,,,,,,,  
11,1,,172141-76180,,CONNECTOR,2,2,2,,,,,,,,,  
12,2,,24315-000110,, "O-RING 1B P-11.0",2,2,2,,,,,,,,,  
13,1,,172162-76180,, "JOINT 3-1/4 COMPL.",3,3,3,,,,,,,,,  
14,2,,24315-000110,, "O-RING 1B P-11.0",3,3,3,,,,,,,,,  
15,1,,24315-000110,, "O-RING 1B P-11.0",2,2,,,,,,,,,  
15-1,1,,24315-000110,, "O-RING 1B P-  
11.0",3,3,3,,,,,K,,72478089,M/#20501,72478089,M/#20501,,,,,,,,,I  
16,1,,24315-000110,, "O-RING 1B P-11.0",2,2,2,,,,,,,,,  
17,1,,24315-000110,, "O-RING 1B P-11.0",4,4,4,,,,,,,,,  
18,1,,24315-000110,, "O-RING 1B P-11.0",2,2,2,,,,,,,,,  
19,1,,24315-000110,, "O-RING 1B P-11.0",2,2,2,,,,,,,,,  
20,1,,172455-78600,, "HOSE F403BE046",1,1,1,,,,,,,,,  
21,1,,172455-78610,, "HOSE F403BB054",1,1,1,,,,,,,,,  
22,1,,172478-78610,, "HOSE F403BC143",1,1,1,,,,,,,,,  
23,1,,172455-78620,, "HOSE F403BB073",1,1,1,,,,,,,,,  
24,1,,172478-78620,, "HOSE F403BB038",1,1,1,,,,,,,,,  
25,1,,172478-78650,, "HOSE F403BB100",1,1,1,,,,,,,,,  
26,1,,172478-78660,, "HOSE F403BC-61",1,1,1,,,,,,,,,  
27,1,,172455-78740,, "HOSE F403BC113S",1,1,1,,,,,,,,,  
28,1,,172123-76121,, "JOINT PF1/4",2,2,,,,,,,,,  
28-1,1,,172123-76121,, "JOINT  
PF1/4",3,3,3,,,,,K,,72478089,M/#20501,72478089,M/#20501,,,,,,,,,I

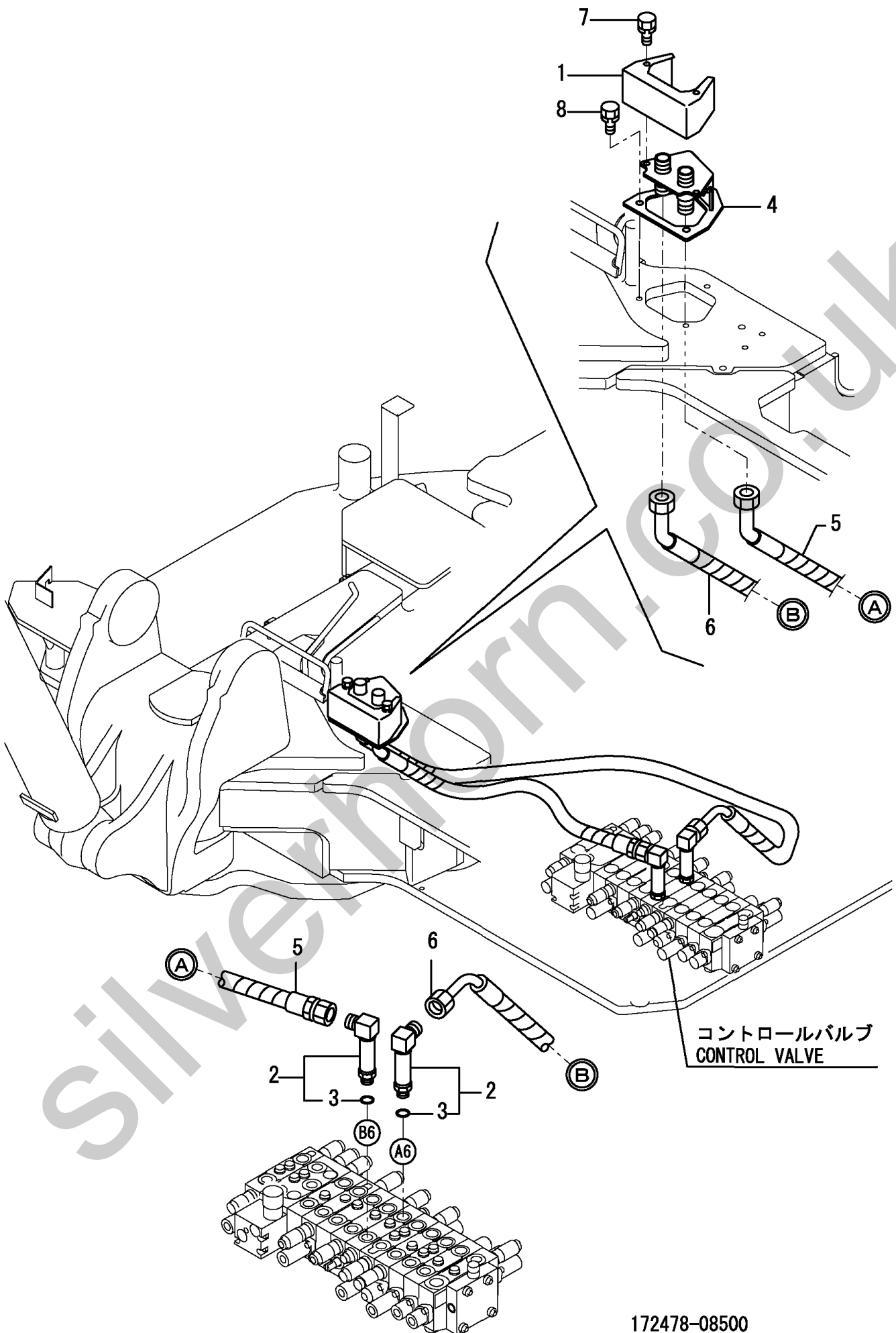


1,1,,172173-  
76100,,CONNECTOR,1,1,,,,,Z,,72478089,M/#20501,72478089,M/#20501,,,,,,I  
2,2,,24315-000110,, "O-RING 1B P-  
11.0",1,1,,,,,Z,,72478089,M/#20501,72478089,M/#20501,,,,,,I  
3,1,,172457-76100,, "ADJUSTABLE TEE",1,1,,,,,  
4,2,,24315-000110,, "O-RING 1B P-11.0",1,1,,,,,  
5,1,,172123-76121,, "JOINT PF1/4",1,1,,,,,  
5-1,1,,172123-76121,, "JOINT  
PF1/4",3,3,,,,,K,,72478089,M/#20501,72478089,M/#20501,,,,,,I  
6,1,,172123-76121,, "JOINT PF1/4",2,2,,,,,  
7,1,,172123-76121,, "JOINT PF1/4",3,3,,,,,  
8,1,,172123-76121,, "JOINT PF1/4",2,2,,,,,  
9,1,,172123-76121,, "JOINT PF1/4",2,2,,,,,  
10,1,,172187-76170,, THEETH,1,1,,,,,  
11,2,,24315-000110,, "O-RING 1B P-11.0",1,1,,,,,  
12,1,,172141-76180,, CONNECTOR,1,1,,,,,  
13,2,,24315-000110,, "O-RING 1B P-11.0",1,1,,,,,  
14,1,,172162-76180,, "JOINT 3-1/4 COMPL.",3,3,,,,,  
15,2,,24315-000110,, "O-RING 1B P-11.0",3,3,,,,,  
16,1,,172162-76180,, "JOINT 3-1/4 COMPL.",1,1,,,,,  
17,2,,24315-000110,, "O-RING 1B P-11.0",1,1,,,,,  
18,1,,172162-76180,, "JOINT 3-1/4 COMPL.",1,1,,,,,  
19,2,,24315-000110,, "O-RING 1B P-11.0",1,1,,,,,  
20,1,,24315-000110,, "O-RING 1B P-11.0",1,1,,,,,  
20-1,1,,24315-000110,, "O-RING 1B P-  
11.0",3,3,,,,,K,,72478089,M/#20501,72478089,M/#20501,,,,,,I  
21,1,,24315-000110,, "O-RING 1B P-11.0",2,2,,,,,  
22,1,,24315-000110,, "O-RING 1B P-11.0",3,3,,,,,  
23,1,,24315-000110,, "O-RING 1B P-11.0",2,2,,,,,  
24,1,,24315-000110,, "O-RING 1B P-11.0",2,2,,,,,  
25,1,,172455-78600,, "HOSE F403BE046",1,1,,,,,  
26,1,,172455-78610,, "HOSE F403BB054",1,1,,,,,  
27,1,,172478-78610,, "HOSE F403BC143",1,1,,,,,  
28,1,,172455-78620,, "HOSE F403BB073",1,1,,,,,  
29,1,,172478-78620,, "HOSE F403BB038",1,1,,,,,  
30,1,,172478-78650,, "HOSE F403BB100",1,1,,,,,  
31,1,,172478-78660,, "HOSE F403BC-61",1,1,,,,,  
32,1,,172455-78740,, "HOSE F403BC113S",1,1,,,,,  
33,1,,172141-  
76180,,CONNECTOR,1,1,,,,,Z,,72478089,M/#20501,72478089,M/#20501,,,,,,I  
34,2,,24315-000110,, "O-RING 1B P-  
11.0",1,1,,,,,Z,,72478089,M/#20501,72478089,M/#20501,,,,,,I



1,1,,172187-61541,, "COVER,3RD (GREEN:97)",1,1,,,,,,,,,,,,,,,,,  
2,1,,172455-76580,, "ELBOW G1/2-3/4",2,2,,,,,,,,,,,,,,,,,  
3,2,,24315-000180,, "O-RING 1B P-18.0",2,2,,,,,,,,,,,,,,,,,  
4,1,,172187-76821,, "CONNECTOR (GREEN:97)",1,1,,,,,,,,,,,,,,,,,  
5,1,,172478-78700,, "HOSE H112BE120S",1,1,,,,,,,,,,,,,,,,,  
6,1,,172478-78710,, "HOSE H112EE127S",1,1,,,,,,,,,,,,,,,,,  
7,1,,26013-080162,, "BOLT W/WASHER M8X16",2,2,,,,,,,,,,,,,,,,,  
8,1,,26013-100202,, "BOLT W/WASHER M10X20",3,3,,,,,,,,,,,,,,,,,

Silverhorn.CO.UK



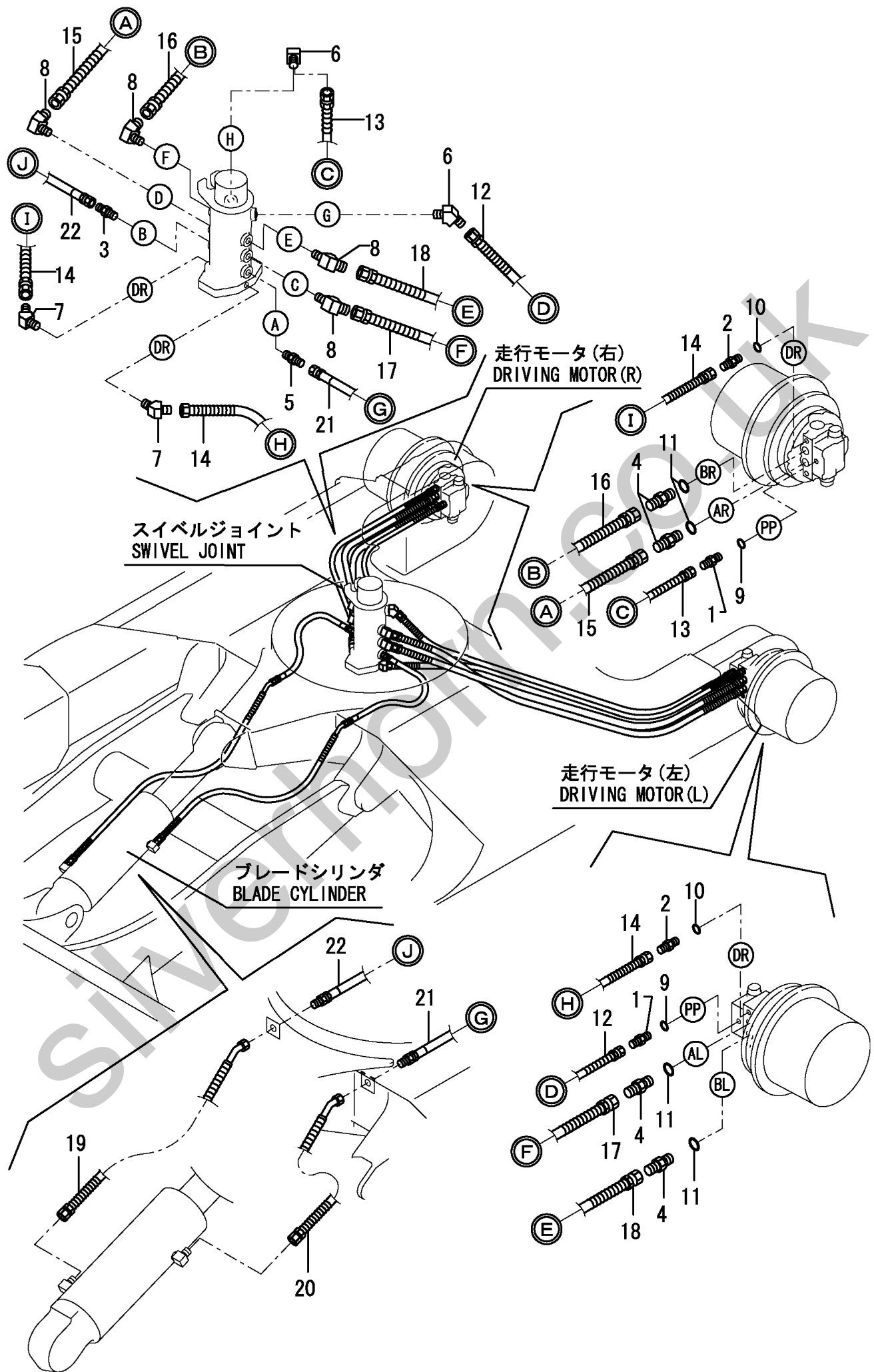
172478-08500

P.T.O.キットは、項目133を参照下さい  
P.T.O. KIT is shown in Fig.133.



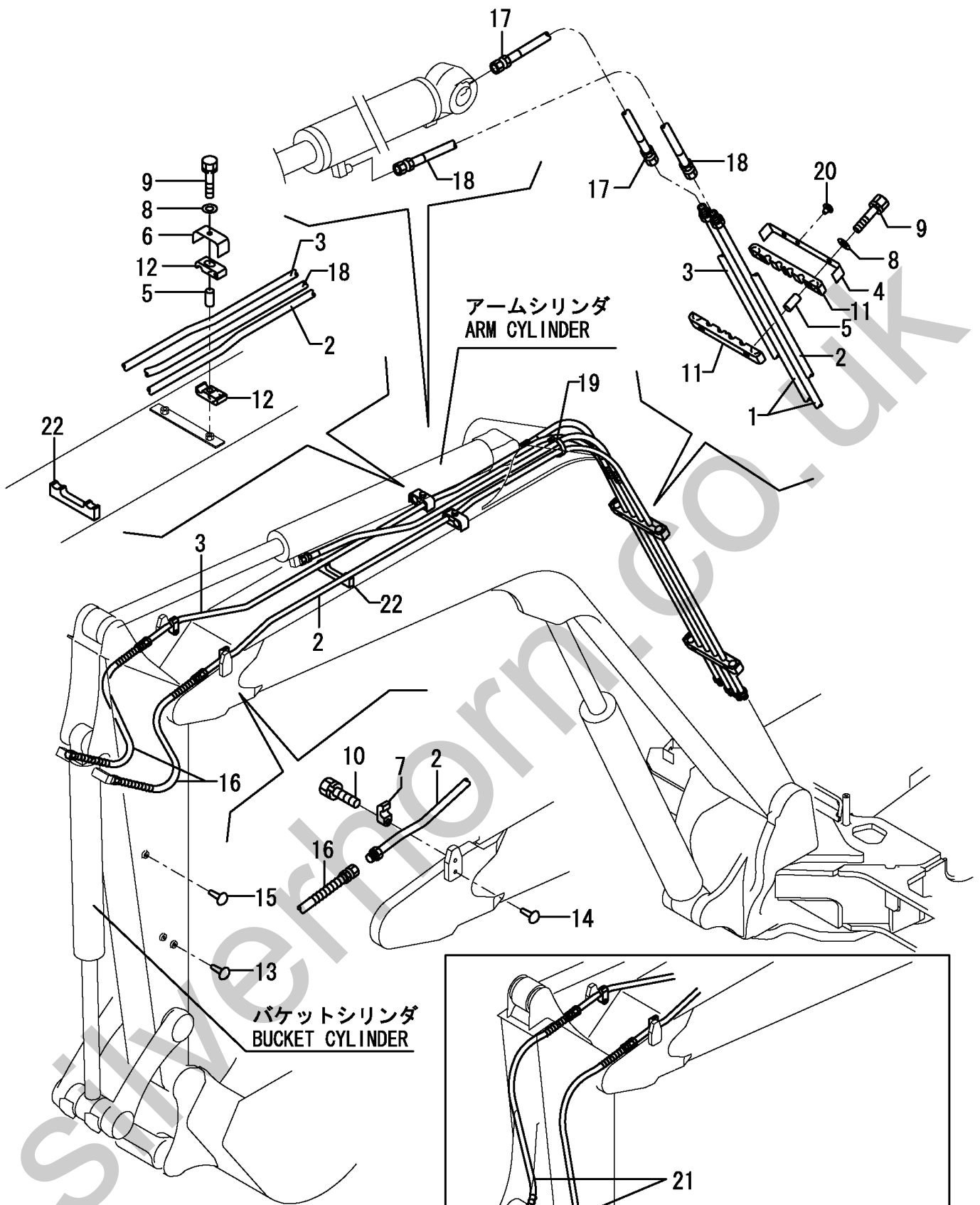
1,1,,172123-76121,, "JOINT PF1/4",2,2,2,,,,,,,,,,,,,  
2,1,,172157-76220,, "CONNECTOR 1/4-3/8",2,2,2,,,,,,,,,,,,,  
3,1,,172141-76940,, "ADAPTOR 1/2-3/8",1,1,1,,,,,,,,,,,,,  
4,1,,172112-77361,, "CONNECTOR",4,4,4,,,,,,,,,,,,,  
5,1,,23391-030000,, "JOINT RGI 3/8",1,1,1,,,,,,,,,,,,,  
6,1,,23394-020000,, "JOINT 45RGI1/4",2,2,2,,,,,,,,,,,,,  
7,1,,23394-030000,, "JOINT 45RGI 3/8",2,2,2,,,,,,,,,,,,,  
8,1,,23394-040000,, "JOINT 45RGI1/2",4,4,4,,,,,,,,,,,,,  
9,1,,24315-000110,, "O-RING 1B P-11.0",2,2,2,,,,,,,,,,,,,  
10,1,,24315-000110,, "O-RING 1B P-11.0",2,2,2,,,,,,,,,,,,,  
11,1,,24315-000180,, "O-RING 1B P-18.0",4,4,4,,,,,,,,,,,,,  
12,1,,172187-78200,, "HOSE G604BB155W",1,1,1,,,,,,,,,,,,,  
13,1,,172187-78200,, "HOSE G604BB155W",1,1,1,,,,,,,,,,,,,  
14,1,,172187-78210,, "HOSE G706BB145W",2,2,2,,,,,,,,,,,,,  
15,1,,172187-78230,, "HOSE H108BB151W",1,1,1,,,,,,,,,,,,,  
16,1,,172187-78230,, "HOSE H108BB151W",1,1,1,,,,,,,,,,,,,  
17,1,,172187-78230,, "HOSE H108BB151W",1,1,1,,,,,,,,,,,,,  
18,1,,172187-78230,, "HOSE H108BB151W",1,1,1,,,,,,,,,,,,,  
19,1,,172478-78320,, "HOSE F208BE112W",1,1,1,,,,,,,,,,,,,  
20,1,,172187-78440,, "HOSE H106BE082W",1,1,1,,,,,,,,,,,,,  
21,1,,172455-78520,, "HOSE P106BX055",1,1,1,,,,,,,,,,,,,  
22,1,,172455-78530,, "HOSE P108BX055",1,1,1,,,,,,,,,,,,,

Silverhorn.CO.UK

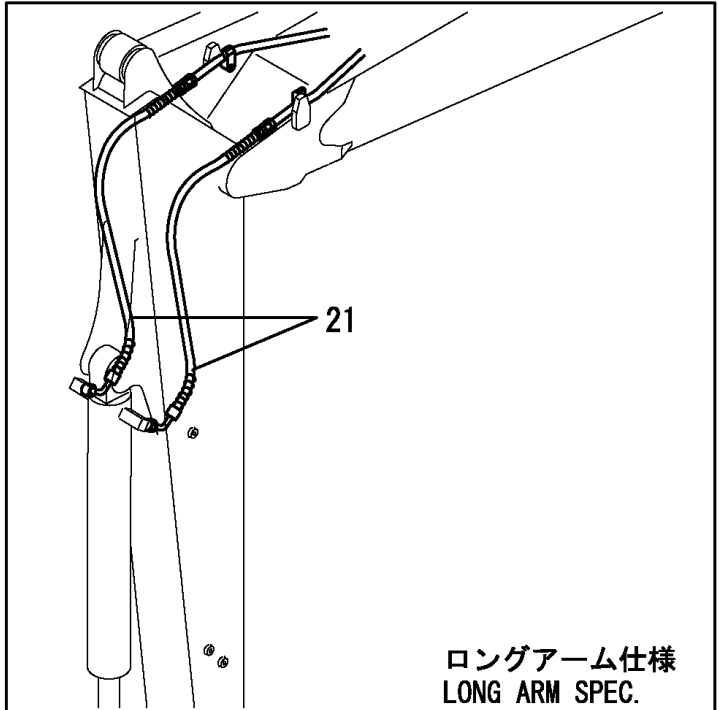


1,1,,172187-76400,, "TUBE,ARM (GREEN:97)",2,2,2,,,,,,,,,,,,,  
 2,1,,172187-76420,, "TUBE A,BUCKET (97)",1,1,1,,,,,,,,,,,,,  
 3,1,,172187-76440,, "TUBE B,BUCKET (97)",1,1,1,,,,,,,,,,,,,  
 4,1,,172478-76510,, "CLAMP 250X38(GREEN97",2,2,2,,,,,,,,,,,,,  
 5,1,,172187-76520,, "COLLAR, CLAMP",6,6,6,,,,,,,,,,,,,  
 6,1,,172187-76530,, "CLAMP B,TUBE(GREEN97",2,2,2,,,,,,,,,,,,,  
 7,1,,172142-76950-4,, "CLAMP 1/2 (GREEN:97)",2,2,2,,,,,,,,,,,,,  
 8,1,,22137-100000,, "WASHER 10,POLISHED",6,6,6,,,,,,,,,,,,,  
 9,1,,26013-100502,, "BOLT M10X 50",6,6,6,,,,,,,,,,,,,  
 10,1,,26013-120402,, "BOLT M12X 40",2,2,2,,,,,,,,,,,,,  
 11,1,,172187-76510,, "RUBBER A",4,4,4,,,,,,,,,,,,,  
 12,1,,172187-76540,, "RUBBER B",4,4,4,,,,,,,,,,,,,  
 13,1,,172183-81160,, "TREE CLIP",4,4,4,,,,,,,,,,,,,  
 14,1,,172183-81170,, "TREE CLIP",2,2,2,,,,,,,,,,,,,  
 15,1,,172183-81170,, "TREE CLIP",2,2,2,,,,,,,,,,,,,  
 16,1,,172187-78240,, "HOSE H108BB065W",2,2,2,,,,,,,,,,,,,  
 17,1,,172187-78410,, "HOSE H108BB063",1,1,1,,,,,,,,,,,,,  
 18,1,,172187-78420,, "HOSE H108BB185",1,1,1,,,,,,,,,,,,,  
 19,1,,172187-78580,, "BAND W 397",2,2,2,,,,,,,,,,,,,  
 20,1,,172444-17660,, "CLIP",2,2,2,,,,,,,,,,,,,  
 21,1,,172187-78760,, "HOSE H108BE105W",2,,,,,,,,,1,,,,,,,,,,,,,  
 22,1,,172478-76500,, "ANTIVIBRATION  
 RUBBER",1,1,1,,,,,W,,72478092,M/#20501,72478092,M/#20501,,,,,,,,,I





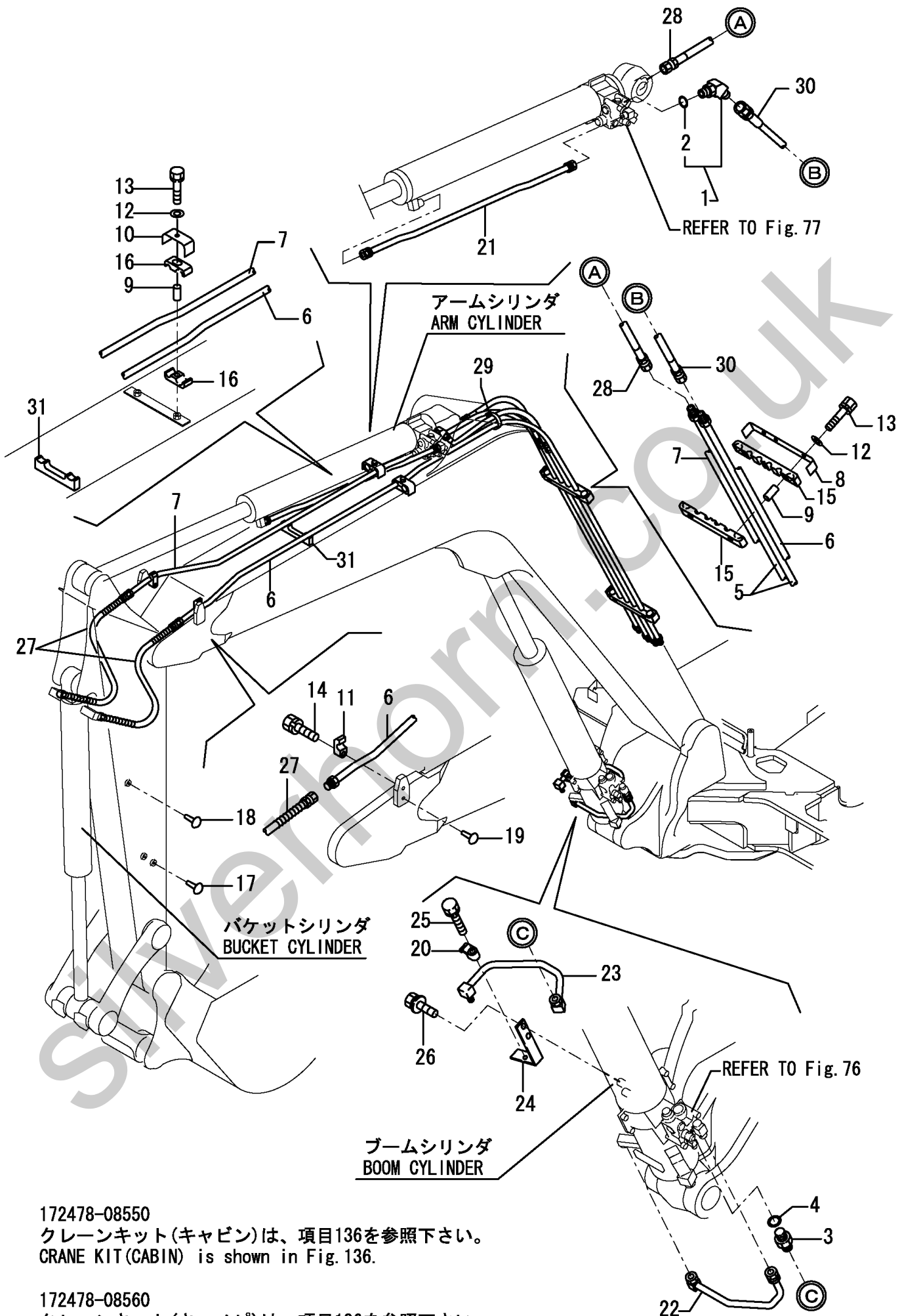
172187-08700  
 ロングアームキットは、項目137を参照下さい  
 LONG ARM KIT is shown in Fig. 137



ロングアーム仕様  
 LONG ARM SPEC.

1,1,,1D4180-22850,, "ELBOW PF1/2,45°",1,1,,,,,,,,,,,,,,,,,,,,,  
 2,2,,24315-000180,, "O-RING 1B P-18.0",1,1,,,,,,,,,,,,,,,,,,,,,  
 3,1,,172112-77360,, "CONNECTOR PF1/2PF1/2",1,1,,,,,,,,,,,,,,,,,,,,,  
 4,1,,24315-000180,, "O-RING 1B P-18.0",1,1,,,,,,,,,,,,,,,,,,,,,  
 5,1,,172187-76400,, "TUBE,ARM (GREEN:97)",2,2,,,,,,,,,,,,,,,,,,,,,  
 6,1,,172187-76420,, "TUBE A,BUCKET (97)",1,1,,,,,,,,,,,,,,,,,,,,,  
 7,1,,172187-76440,, "TUBE B,BUCKET (97)",1,1,,,,,,,,,,,,,,,,,,,,,  
 8,1,,172478-76510,, "CLAMP 250X38(GREEN97)",2,2,,,,,,,,,,,,,,,,,,,,,  
 9,1,,172187-76520,, "COLLAR, CLAMP",6,6,,,,,,,,,,,,,,,,,,,,,  
 10,1,,172187-76530,, "CLAMP B,TUBE(GREEN97)",2,2,,,,,,,,,,,,,,,,,,,,,  
 11,1,,172142-76950-4,, "CLAMP 1/2 (GREEN:97)",2,2,,,,,,,,,,,,,,,,,,,,,  
 12,1,,22137-100000,, "WASHER 10,POLISHED",6,6,,,,,,,,,,,,,,,,,,,,,  
 13,1,,26013-100502,, "BOLT M10X 50",6,6,,,,,,,,,,,,,,,,,,,,,  
 14,1,,26013-120402,, "BOLT M12X 40",2,2,,,,,,,,,,,,,,,,,,,,,  
 15,1,,172187-76510,, "RUBBER A",4,4,,,,,,,,,,,,,,,,,,,,,  
 16,1,,172187-76540,, "RUBBER B",4,4,,,,,,,,,,,,,,,,,,,,,  
 17,1,,172183-81160,, "TREE CLIP",4,4,,,,,,,,,,,,,,,,,,,,,  
 18,1,,172183-81170,, "TREE CLIP",2,2,,,,,,,,,,,,,,,,,,,,,  
 19,1,,172183-81170,, "TREE CLIP",2,2,,,,,,,,,,,,,,,,,,,,,  
 20,1,,172142-76950-4,, "CLAMP 1/2 (GREEN:97)",1,1,,,,,,,,,,,,,,,,,,,,,  
 21,1,,172478-77320,, "TUBE,ARM (GREEN:97)",1,1,,,,,,,,,,,,,,,,,,,,,  
 22,1,,172187-77490,, "TUBE,A(BOOM(GREEN:97)",1,1,,,,,,,,,,,,,,,,,,,,,  
 23,1,,172187-77590,, "TUBE,B(BOOM(GREEN:97)",1,1,,,,,,,,,,,,,,,,,,,,,  
 24,1,,172187-77720,, "SUPPORT,TUBE (97)",1,1,,,,,,,,,,,,,,,,,,,,,  
 25,1,,26013-100502,, "BOLT M10X 50",1,1,,,,,,,,,,,,,,,,,,,,,  
 26,1,,26014-100202,, "BOLT M10X 20",2,2,,,,,,,,,,,,,,,,,,,,,  
 27,1,,172187-78240,, "HOSE H108BB065W",2,2,,,,,,,,,,,,,,,,,,,,,  
 28,1,,172187-78410,, "HOSE H108BB063",1,1,,,,,,,,,,,,,,,,,,,,,  
 29,1,,172187-78580,, "BAND W 397",1,1,,,,,,,,,,,,,,,,,,,,,  
 30,1,,172187-79700,, "HOSE H108BB096R",1,1,,,,,,,,,,,,,,,,,,,,,  
 31,1,,172478-76500,, "ANTIVIBRATION  
 RUBBER",1,1,,,,,W,,72478092,M/#20501,72478092,M/#20501,,,,,,I



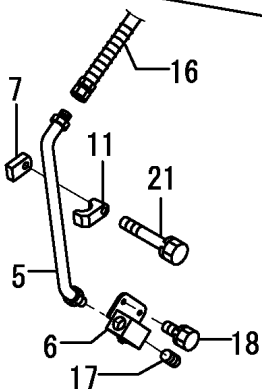
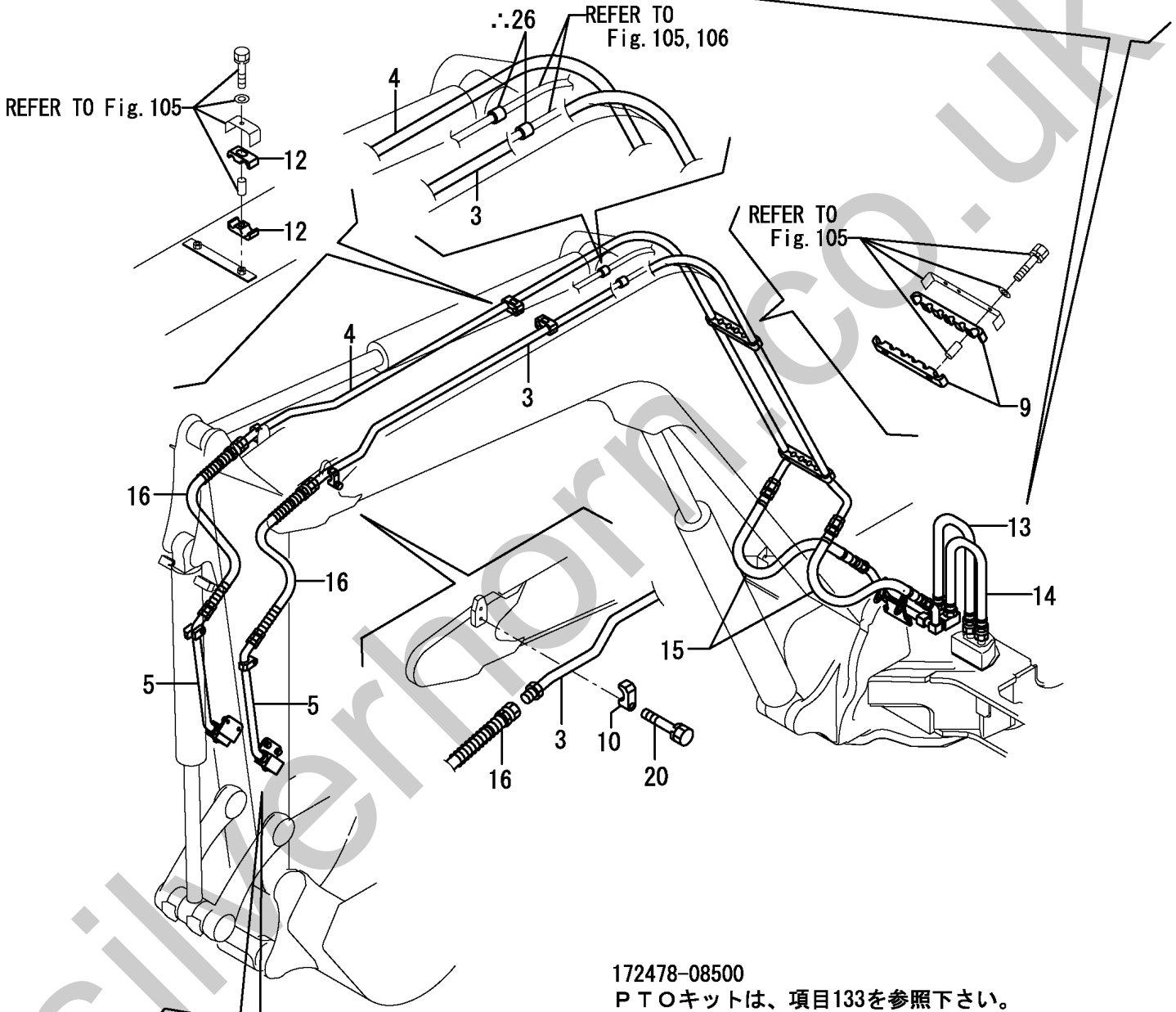
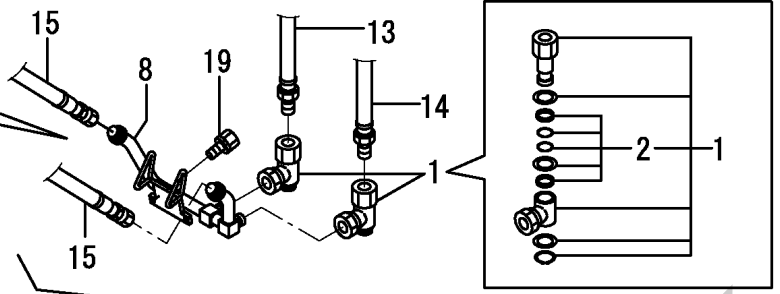
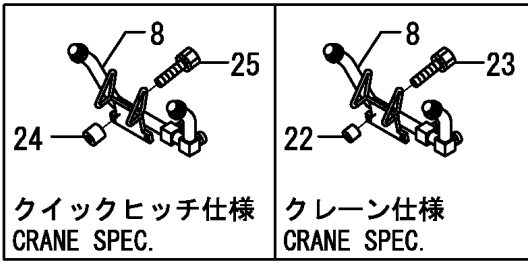


172478-08550  
 クレーンキット(キャビン)は、項目136を参照下さい。  
 CRANE KIT(CABIN) is shown in Fig. 136.

172478-08560  
 クレーンキット(キャノピ)は、項目136を参照下さい。  
 CRANE KIT(CANOPY) is shown in Fig. 136.

1,1,,172142-76280,, "JOINT 3/4, SWIVEL",2,2,2,,,,,,,,,,,,,  
2,2,,172142-77050,, "SEAL SET",2,2,2,,,,,,,,,,,,,  
3,1,,172187-76460,, "TUBE A,3RD(GREEN:97)",1,1,1,,,,,,,,,,,,,  
4,1,,172187-76480,, "TUBE B,3RD(GREEN:97)",1,1,1,,,,,,,,,,,,,  
5,1,,172187-76570,, "TUBE C,3RD(GREEN:97)",2,2,2,,,,,,,,,,,,,  
6,1,,172176-76580,, "STOP VALVE(GREEN:97)",2,2,2,,,,,,,,,,,,,  
7,1,,172187-76690,, "PLATE,T16 (GREEN:97)",2,2,2,,,,,,,,,,,,,  
8,1,,172478-76700,, "TUBE,3RD (GREEN:97)",1,1,1,,,,,,,,,,,,,  
9,1,,172187-76930,, "RUBBER A",4,4,4,,,,,,,,,,,,,  
10,1,,172142-76940-4,, "CLAMP 3/4 (GREEN:97)",2,2,2,,,,,,,,,,,,,  
11,1,,172142-76940-4,, "CLAMP 3/4 (GREEN:97)",2,2,2,,,,,,,,,,,,,  
12,1,,172187-76940,, "RUBBER B",4,4,4,,,,,,,,,,,,,  
13,1,,172187-79220,, "HOSE G112AB090",1,1,1,,,,,,,,,,,,,  
14,1,,172187-79230,, "HOSE G112AB084",1,1,1,,,,,,,,,,,,,  
15,1,,172187-79240,, "HOSE G112CE092",2,2,2,,,,,,,,,,,,,  
16,1,,172187-79250,, "HOSE G112BB085W",2,2,2,,,,,,,,,,,,,  
17,1,,23871-060000,, "PLUG PT3/4,SCREW",2,2,2,,,,,,,,,,,,,  
18,1,,26013-100252,, "BOLT W/WASHER M10X25",4,4,4,,,,,,,,,,,,,  
19,1,,26013-100252,, "BOLT W/WASHER M10X25",2,2,2,,,,,1,,,,,,,,,,,,,  
20,1,,26013-120552,, "BOLT M12X55",2,2,2,,,,,,,,,,,,,  
21,1,,26013-120702,, "BOLT 12X70 W/SP.WSHR",2,2,2,,,,,,,,,,,,,  
22,1,,172478-76670,, "COLLAR 10X25X22.5",2,2,,,,,2,,,,,,,,,,,,,  
23,1,,26013-100502,, "BOLT M10X 50",2,2,,,,,2,,,,,,,,,,,,,  
24,1,,172478-76670,, "COLLAR 10X25X22.5",2,2,,,,,3,,,,,,,,,,,,,  
25,1,,26013-100502,, "BOLT M10X 50",2,2,,,,,3,,,,,,,,,,,,,  
26,1,,172478-76730,, "GUARD,  
HOSE",2,2,,,,,W,,724780196,M/#25619,,,724780196,M/#25619,,,,,,,,,I





172478-08500  
 P.T.O.キットは、項目133を参照下さい。  
 P.T.O. KIT is shown in Fig. 133.

172478-08550  
 クレーンキット(キャビン)は、項目136を参照下さい。  
 CRANE KIT(CABIN) is shown in Fig. 136.

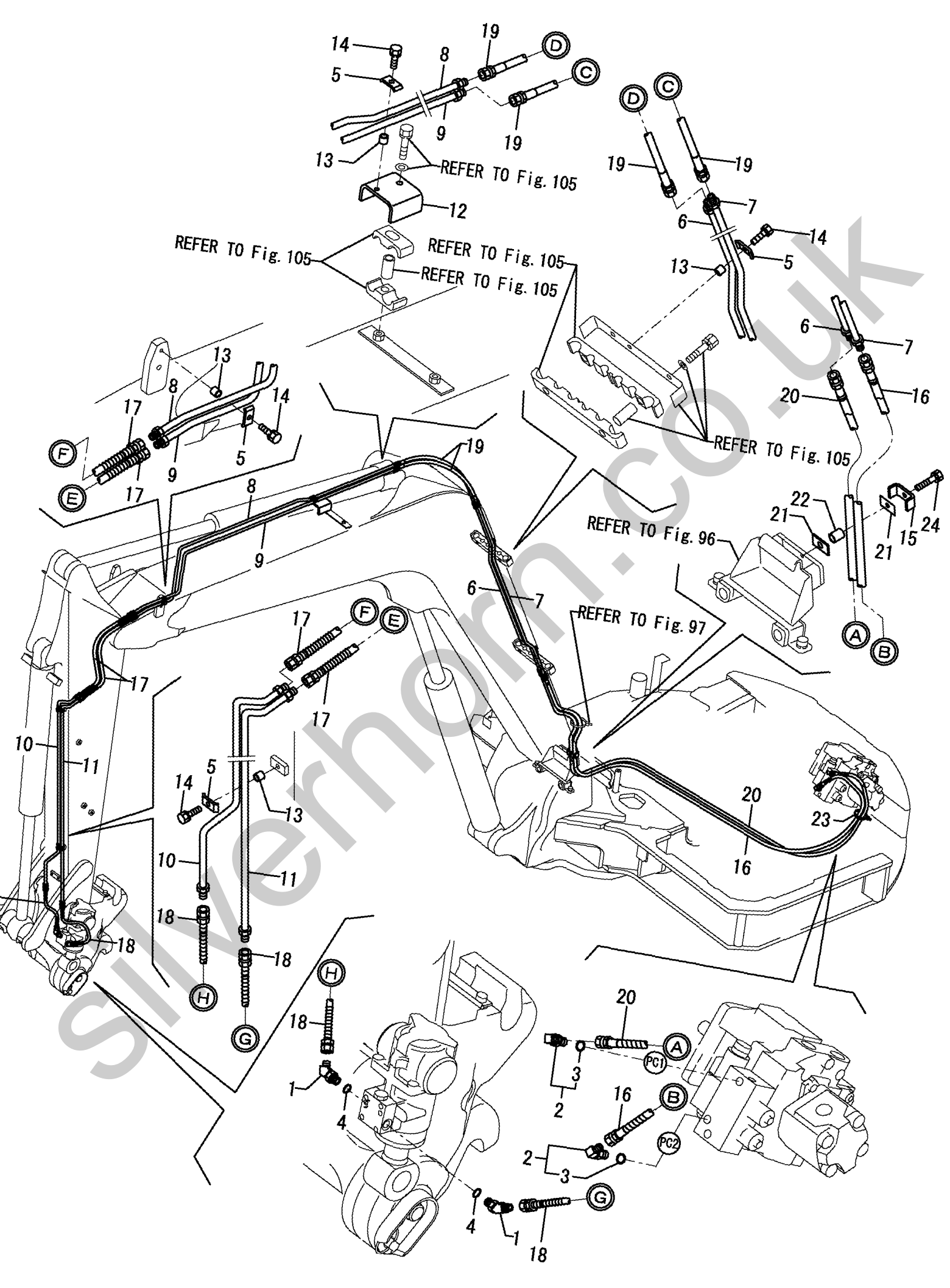
172478-08560  
 クレーンキット(キャノピ)は、項目136を参照下さい。  
 CRANE KIT(CANOPY) is shown in Fig. 136.

∴印が今回変更(追記)した個所です。  
 ∴MARKED PART HAS BEEN CHANGED(ADDED).



1,1,,172978-76100,, "ELBOW PF1/4-PF1/4",2,,2,,,,,,,,,,,,,,,,,,,,,I  
2,1,,172141-76180,,CONNECTOR,2,,2,,,,,,,,,,,,,,,,,,,,,I  
3,2,,24315-000110,, "O-RING 1B P-11.0",2,,2,,,,,,,,,,,,,,,,,,,,,I  
4,1,,24315-000110,, "O-RING 1B P-11.0",2,,2,,,,,,,,,,,,,,,,,,,,,I  
5,1,,172110-76170,, "PLATE (YELLOW:36)",6,,6,,,,,,,,,,,,,,,,,,,,,I  
6,1,,172978-76400,, "TUBE A (YELLOW:87)",1,,1,,,,,,,,,,,,,,,,,,,,,I  
7,1,,172978-76420,, "TUBE B (YELLOW:87)",1,,1,,,,,,,,,,,,,,,,,,,,,I  
8,1,,172978-76440,, "TUBE C (YELLOW:87)",1,,1,,,,,,,,,,,,,,,,,,,,,I  
9,1,,172978-76460,, "TUBE D (YELLOW:87)",1,,1,,,,,,,,,,,,,,,,,,,,,I  
10,1,,172978-76480,, "TUBE ARM A(YELLOW87)",1,,1,,,,,,,,,,,,,,,,,,,,,I  
11,1,,172978-76500,, "TUBE ARM B(YELLOW87)",1,,1,,,,,,,,,,,,,,,,,,,,,I  
12,1,,172978-76520,, "CLAMP (YELLOW:87)",1,,1,,,,,,,,,,,,,,,,,,,,,I  
13,1,,172137-76580,, "COLLER 9X11",6,,6,,,,,,,,,,,,,,,,,,,,,I  
14,1,,26014-080252,, "BOLT M 8X 25",6,,6,,,,,,,,,,,,,,,,,,,,,I  
15,1,,172478-76520,, "CLAMP 45X25(GREEN:97)",1,,1,,,,,,,,,,,,,,,,,,,,,I  
16,1,,172978-78100,, "HOSE P205BB305K",1,,1,,,,,,,,,,,,,,,,,,,,,I  
17,1,,172978-78111,, "HOSE H205BB063W",2,,2,,,,,,,,,,,,,,,,,,,,,I  
18,1,,172958-78120,, "HOSE G604BB048W",2,,2,,,,,,,,,,,,,,,,,,,,,I  
19,1,,172978-78120,, "HOSE P205BB050",2,,2,,,,,,,,,,,,,,,,,,,,,I  
20,1,,172978-78130,, "HOSE P205BB305K",1,,1,,,,,,,,,,,,,,,,,,,,,I  
21,1,,172156-78490,, "PLATE, RUBBER (B",2,,2,,,,,,,,,,,,,,,,,,,,,I  
22,1,,172156-78540,, "COLLAR 9X 18",1,,1,,,,,,,,,,,,,,,,,,,,,I  
23,1,,172122-79930,, "CLAMP B",1,,1,,,,,,,,,,,,,,,,,,,,,I  
24,1,,26014-080352,, "BOLT M 8X 35",1,,1,,,,,,,,,,,,,,,,,,,,,I

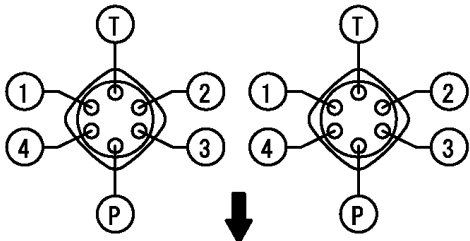




1,1,,172173-76100,,CONNECTOR,1,1,,,,,,,,,,,,,  
1-1,1,,172173-76101,,,"CONNECTOR PF1/4-  
45",1,1,1,,,R,,72444394,M/#20613,72444394,M/#20613,,,,,,,,,I  
2,2,,24315-000110,,,"O-RING 1B P-11.0",1,1,1,,,,,,,,,,,,,  
3,1,,172123-76121,,,"JOINT PF1/4",2,2,2,,,,,,,,,,,,,  
4,1,,172455-76220,,,"CONNECTOR PF1/4",2,2,2,,,,,,,,,,,,,  
5,1,,24315-000110,,,"O-RING 1B P-11.0",4,4,4,,,,,,,,,,,,,  
6,1,,172478-78550,,,"HOSE F403BC106S",1,1,1,,,,,,,,,,,,,  
7,1,,172455-78770,,,"HOSE F403BE113S",1,1,1,,,,,,,,,,,,,  
8,1,,172455-78820,,,"HOSE G804BY105S",1,1,1,,,,,,,,,,,,,  
9,1,,172455-78880,,,"HOSE G804BY077",1,1,1,,,,,,,,,,,,,

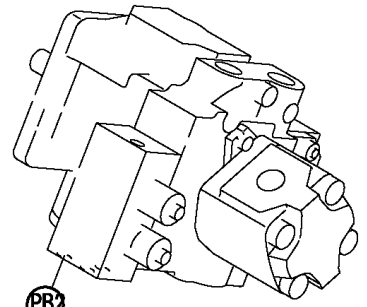
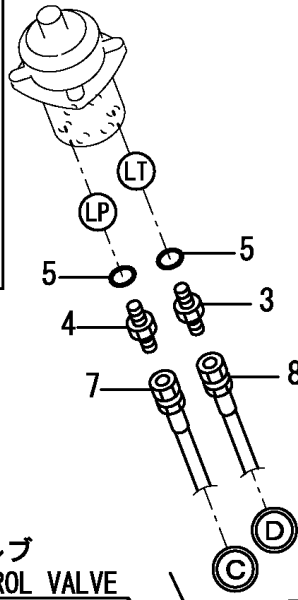
Silverhorn.CO.UK

上から見る  
VIEWED FROM UPPER

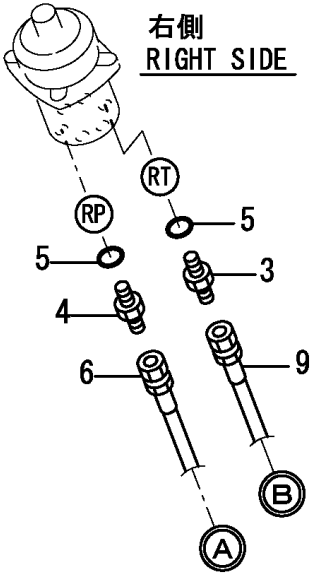


右 前 左  
RIGHT SIDE FRONT LEFT SIDE

左側  
LEFT SIDE

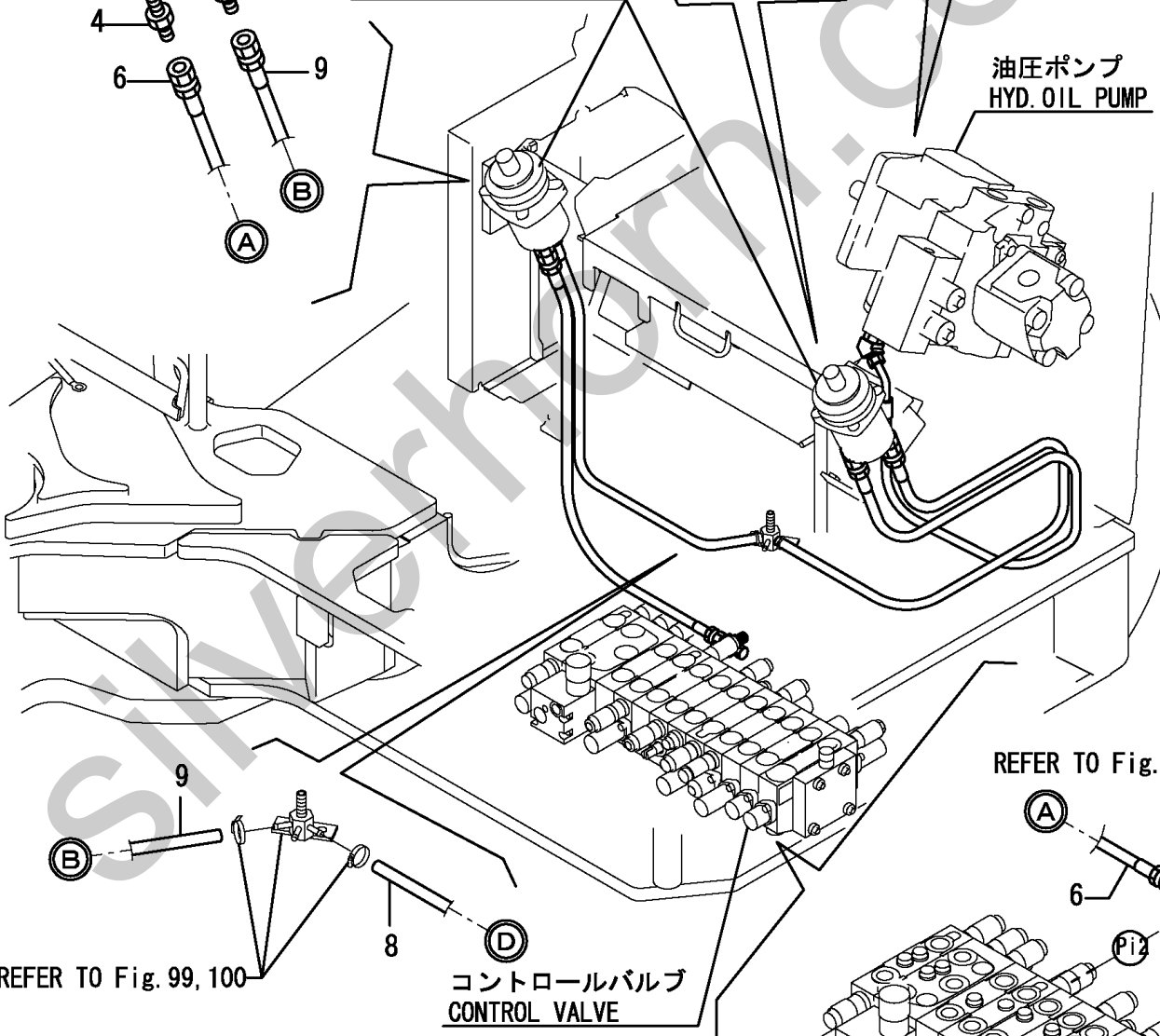


右側  
RIGHT SIDE



リモコンバルブ  
REMOTE CONTROL VALVE

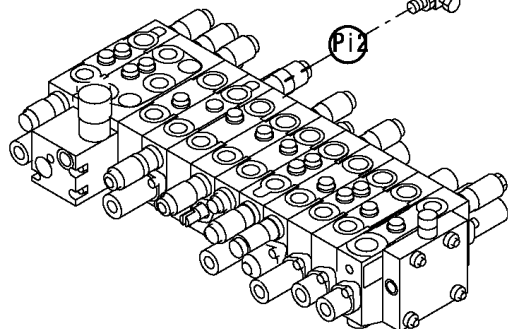
油圧ポンプ  
HYD. OIL PUMP



REFER TO Fig. 101, 102

REFER TO Fig. 99, 100

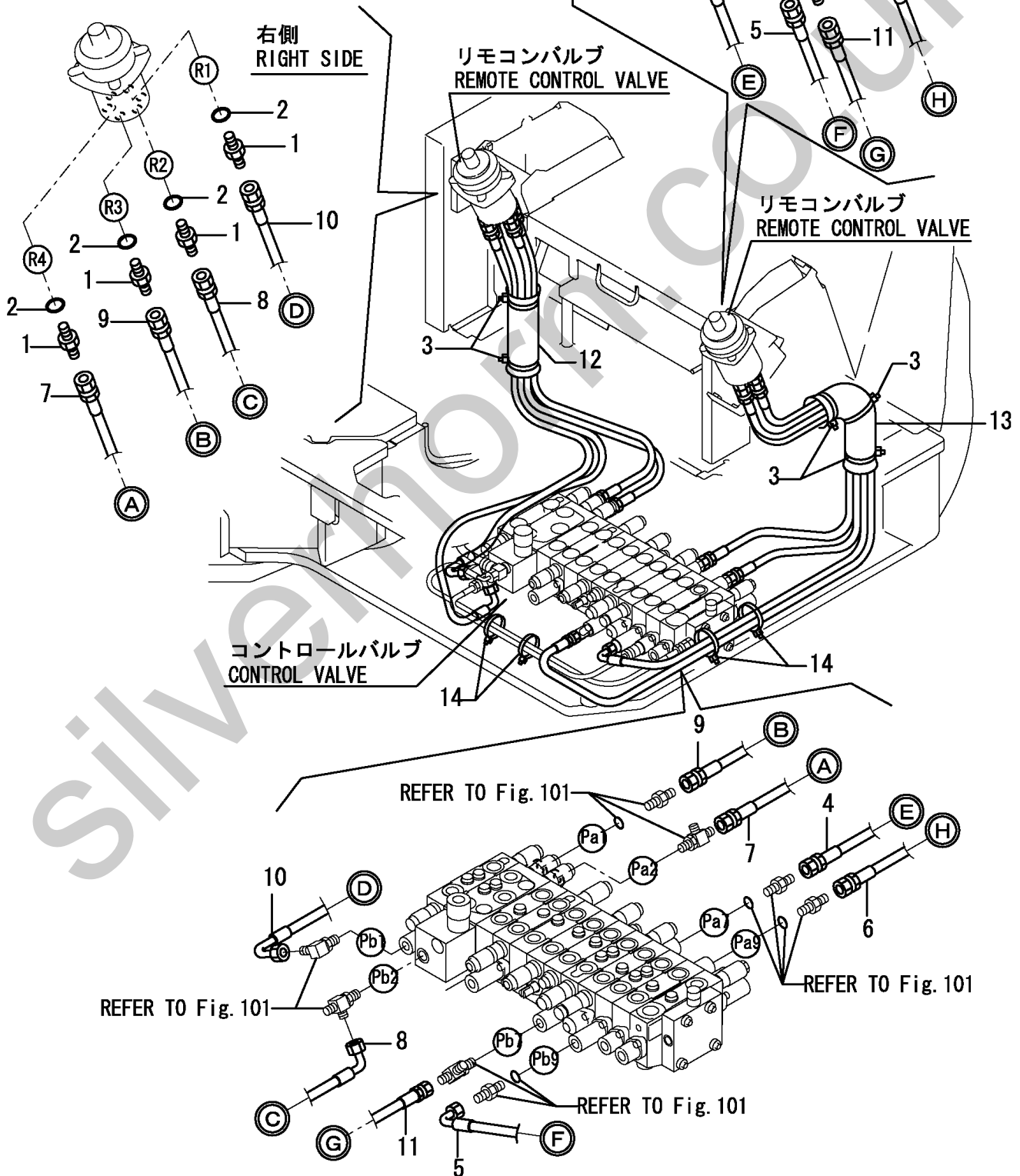
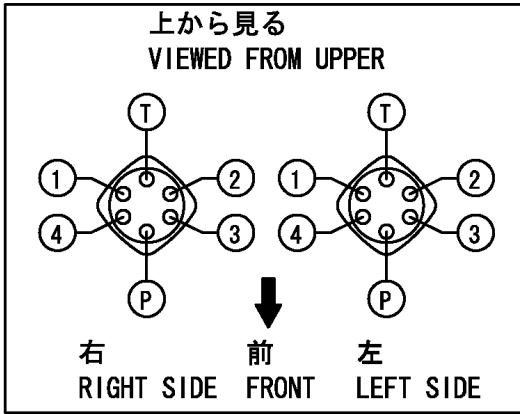
コントロールバルブ  
CONTROL VALVE



1,1,,172123-76121,, "JOINT PF1/4",8,8,8,,,,,,,,,,,,,  
2,1,,24315-000110,, "O-RING 1B P-11.0",8,8,8,,,,,,,,,,,,,  
3,1,,172126-11510,, "BAND 300",4,4,,,,,,,,,,,,,  
3-1,1,,172126-11510,, "BAND  
300",5,5,5,,,,,K,,72478089,M/#20591,72478089,M/#20591,,,,,,,,,I  
4,1,,172455-78400,, "HOSE F403BB111",1,1,1,,,,,,,,,,,,,  
5,1,,172455-78420,, "HOSE F403BC141",1,1,1,,,,,,,,,,,,,  
6,1,,172455-78430,, "HOSE F403BB109",1,1,1,,,,,,,,,,,,,  
7,1,,172455-78440,, "HOSE F403BB115S",1,1,1,,,,,,,,,,,,,  
8,1,,172455-78450,, "HOSE F403BC167S",1,1,1,,,,,,,,,,,,,  
9,1,,172455-78460,, "HOSE F403BB119S",1,1,1,,,,,,,,,,,,,  
10,1,,172455-78470,, "HOSE F403BC140S",1,1,1,,,,,,,,,,,,,  
11,1,,172426-78870,, "HOSE F403BB160",1,1,1,,,,,,,,,,,,,  
12,1,,172445-78990,, "SPONGE,HOSE",1,1,1,,,,,,,,,,,,,  
13,1,,172165-79810,, SPONGE,1,1,,,,,,,,,,,,,  
13-1,1,,172157-78620,, "COVER,  
HOSE",1,1,1,,,,,N,,72478076,M/#20557,72478076,M/#20557,,,,,,,,,I  
14,1,,172122-79930,, "CLAMP B",4,4,4,,,,,,,,,,,,,

Silverhorn.CO.UK

仕様 SPEC.	クレーンなし W/O CRANE			クレーン付 W/ CRANE	
	ダイレクト DIRECT	2ウェイ 2-WAY	4ウェイ 4-WAY	ダイレクト DIRECT	4ウェイ 4-WAY
項目No. Fig. No.	110	110	112	111	112



1,1,,172123-76121,, "JOINT PF1/4",8,8,,,,,,,,,,,,,,,,,  
2,1,,172123-76121,, "JOINT PF1/4",3,3,,,,,,,,,,,,,,,,,  
3,1,,172141-76180,,CONNECTOR,4,4,,,,,,,,,,,,,,,,,  
4,2,,24315-000110,, "O-RING 1B P-11.0",4,4,,,,,,,,,,,,,,,,,  
5,1,,24315-000110,, "O-RING 1B P-11.0",8,8,,,,,,,,,,,,,,,,,  
6,1,,24315-000110,, "O-RING 1B P-11.0",3,3,,,,,,,,,,,,,,,,,  
7,1,,172126-11510,, "BAND 300",4,4,,,,,,,,,,,,,,,,,  
7-1,1,,172126-11510,, "BAND  
300",5,5,,,,,K,,72478089,M/#20591,72478089,M/#20591,,,,,  
8,1,,172455-78420,, "HOSE F403BC141",1,1,,,,,,,,,,,,,,,,,  
9,1,,172455-78430,, "HOSE F403BB109",1,1,,,,,,,,,,,,,,,,,  
10,1,,172455-78440,, "HOSE F403BB115S",1,1,,,,,,,,,,,,,,,,,  
11,1,,172455-78460,, "HOSE F403BB119S",1,1,,,,,,,,,,,,,,,,,  
12,1,,172426-78870,, "HOSE F403BB160",1,1,,,,,,,,,,,,,,,,,  
13,1,,172445-78990,, "SPONGE,HOSE",1,1,,,,,,,,,,,,,,,,,  
14,1,,172478-79600,, "HOSE F403BB225",1,1,,,,,,,,,,,,,,,,,  
15,1,,172478-79610,, "HOSE F403BB113",1,1,,,,,,,,,,,,,,,,,  
16,1,,172478-79620,, "HOSE F403BB108",1,1,,,,,,,,,,,,,,,,,  
17,1,,172478-79630,, "HOSE F403BC100",1,1,,,,,,,,,,,,,,,,,  
18,1,,172478-79640,, "HOSE F403BC123",1,1,,,,,,,,,,,,,,,,,  
19,1,,172478-79650,, "HOSE F403BB144",1,1,,,,,,,,,,,,,,,,,  
20,1,,172478-79660,, "HOSE G604BB045",1,1,,,,,,,,,,,,,,,,,I  
20-1,1,,172478-79661,, "HOSE  
G604BB060",1,1,,,,,N,,24880027,\*2003.07,24880027,\*2003.07,,,,,,I  
21,1,,172165-79810,,SPONGE,1,1,,,,,,,,,,,,,,,,,  
21-1,1,,172157-78620,, "COVER,  
HOSE",1,1,,,,,N,,72478076,M/#20557,72478076,M/#20557,,,,,  
22,1,,172122-79930,, "CLAMP B",3,3,,,,,,,,,,,,,,,,,  
23,1,,172122-79930,, "CLAMP B",1,1,,,,,,,,,,,,,,,,,



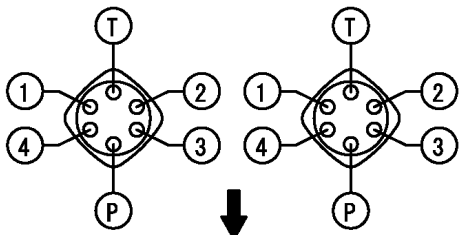




1,1,,172123-76121,, "JOINT PF1/4",8,8,,,,,,,,,,,,,,,,,  
2,1,,24315-000110,, "O-RING 1B P-11.0",8,8,,,,,,,,,,,,,,,,,  
3,1,,172141-76180,,CONNECTOR,8,8,,,,,,,,,,,,,,,,,  
4,2,,24315-000110,, "O-RING 1B P-11.0",8,8,,,,,,,,,,,,,,,,,  
5,1,,172126-11510,, "BAND 300",4,4,,,,,,,,,,,,,,,,,  
5-1,1,,172126-11510,, "BAND  
300",5,5,,,,,K,,72478089,M/#20591,72478089,M/#20591,,,,,,I  
6,1,,172455-78780,, "HOSE F403BB105",1,1,,,,,,,,,,,,,,,,,  
7,1,,172455-78792,,HOSE,1,1,,,,,,,,,,,,,,,,,  
8,1,,172455-78800,, "HOSE F403BB114",1,1,,,,,,,,,,,,,,,,,  
9,1,,172455-78810,, "HOSE F403BB086",1,1,,,,,,,,,,,,,,,,,  
10,1,,172455-78840,, "HOSE F403BB139",1,1,,,,,,,,,,,,,,,,,  
11,1,,172455-78850,, "HOSE F403BB136",1,1,,,,,,,,,,,,,,,,,  
12,1,,172455-78860,, "HOSE F403BB134",1,1,,,,,,,,,,,,,,,,,  
13,1,,172455-78870,, "HOSE F403BB113",1,1,,,,,,,,,,,,,,,,,  
14,1,,172445-78990,, "SPONGE,HOSE",1,1,,,,,,,,,,,,,,,,,  
15,1,,172165-79810,,SPONGE,1,1,,,,,,,,,,,,,,,,,  
15-1,1,,172157-78620,, "COVER,  
HOSE",1,1,,,,,N,,72478076,M/#20557,72478076,M/#20557,,,,,,I

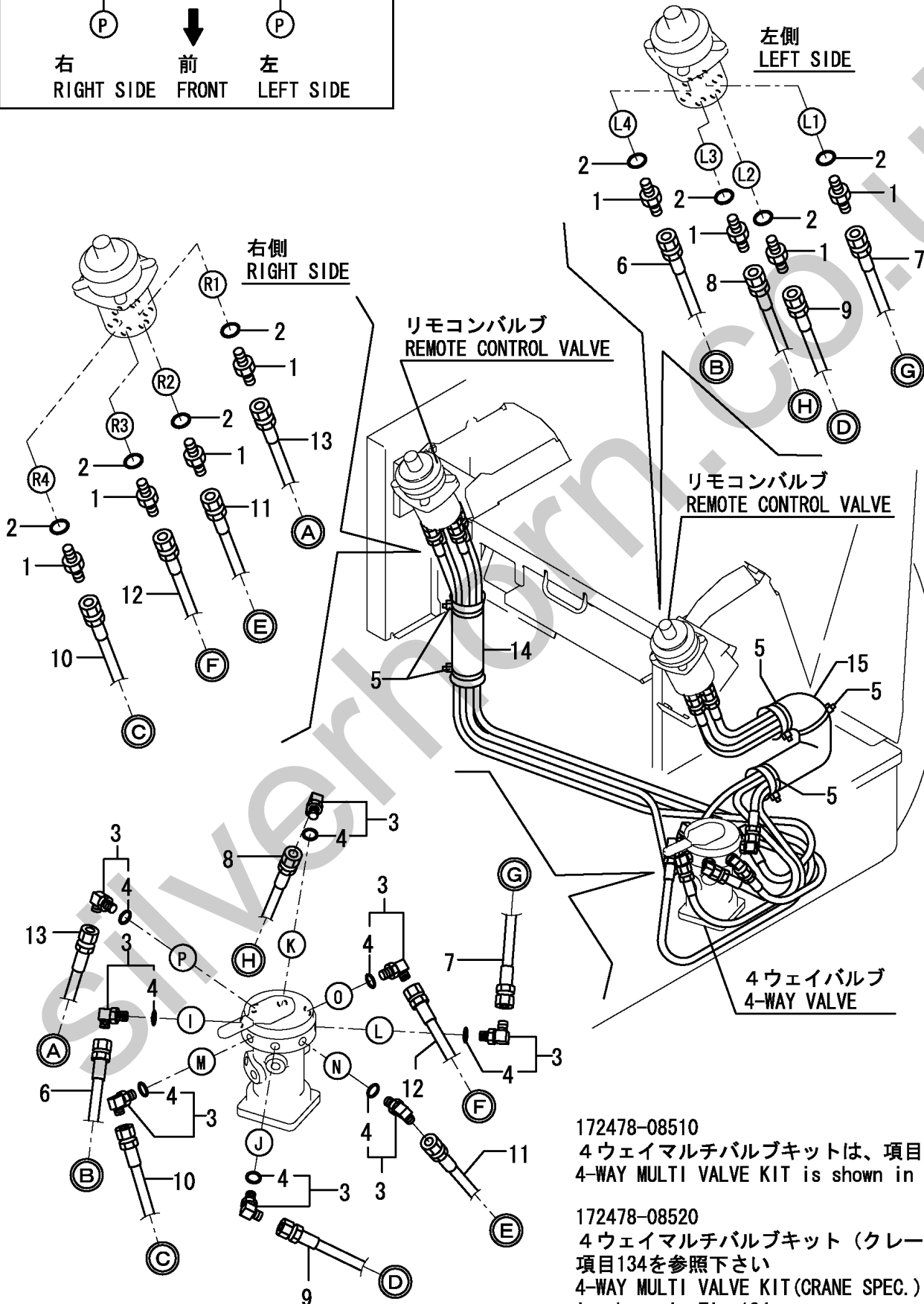
Silverhorn.CO.UK

上から見る  
VIEWED FROM UPPER



右 RIGHT SIDE 前 FRONT 左 LEFT SIDE

仕様 SPEC.	クレーンなし W/O CRANE			クレーン付 W/ CRANE	
	ダイレクト DIRECT	2ウェイ 2-WAY	4ウェイ 4-WAY	ダイレクト DIRECT	4ウェイ 4-WAY
項目No. Fig. No.	110	110	112	111	112



172478-08510

4ウェイマルチバルブキットは、項目134を参照下さい  
4-WAY MULTI VALVE KIT is shown in Fig.134

172478-08520

4ウェイマルチバルブキット (クレーン仕様) は、  
項目134を参照下さい  
4-WAY MULTI VALVE KIT (CRANE SPEC.)  
is shown in Fig.134

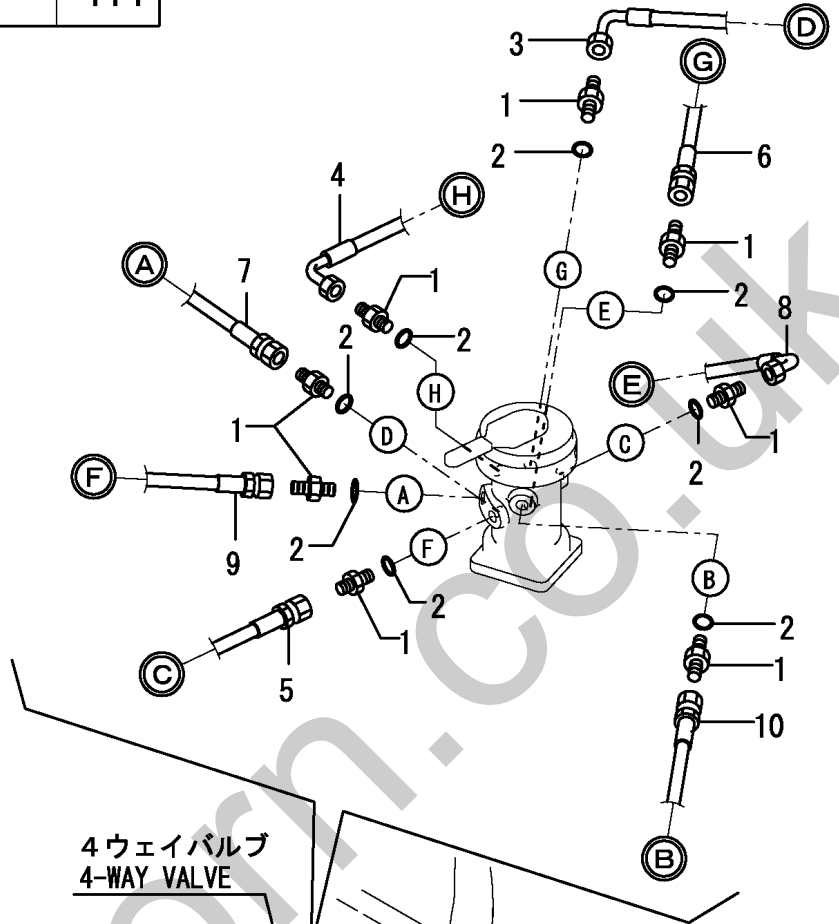
1,1,,172123-76121,, "JOINT PF1/4",8,8,,,,,,,,,,,,,,,,,,,,,  
2,1,,24315-000110,, "O-RING 1B P-11.0",8,8,,,,,,,,,,,,,,,,,,,,,  
3,1,,172455-78630,, "HOSE F403CC097",1,1,,,,,,,,,,,,,,,,,,,,,  
4,1,,172455-78640,, "HOSE F403BB060",1,1,,,,,,,,,,,,,,,,,,,,,  
5,1,,172478-78640,, "HOSE F403BB093",1,1,,,,,,,,,,,,,,,,,,,,,  
6,1,,172455-78660,, "HOSE F403BB047",1,1,,,,,,,,,,,,,,,,,,,,,  
7,1,,172455-78670,, "HOSE F403BC081",1,1,,,,,,,,,,,,,,,,,,,,,  
8,1,,172455-78680,, "HOSE F403BC058",1,1,,,,,,,,,,,,,,,,,,,,,  
9,1,,172455-78690,, "HOSE F403BB039",1,1,,,,,,,,,,,,,,,,,,,,,  
10,1,,172455-78700,, "HOSE F403BC106",1,1,,,,,,,,,,,,,,,,,,,,,  
11,1,,172122-79930,, "CLAMP B",4,4,,,,,,,,,,,,,,,,,,,,,

Silverhorn.CO.UK

仕様 SPEC.	クレーンなし W/O CRANE			クレーン付 W/ CRANE	
	ダイレクト DIRECT	2ウェイ 2-WAY	4ウェイ 4-WAY	ダイレクト DIRECT	4ウェイ 4-WAY
項目No. Fig. No.	—	—	113	—	114

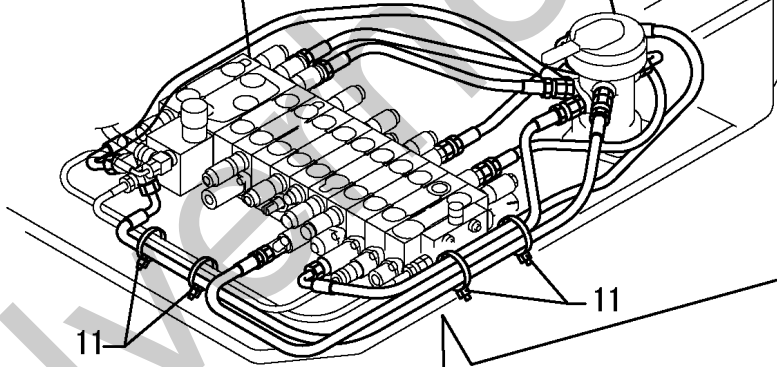
172478-08510

4ウェイマルチバルブキットは、  
項目134を参照下さい  
4-WAY MULTI VALVE KIT  
is shown in Fig. 134

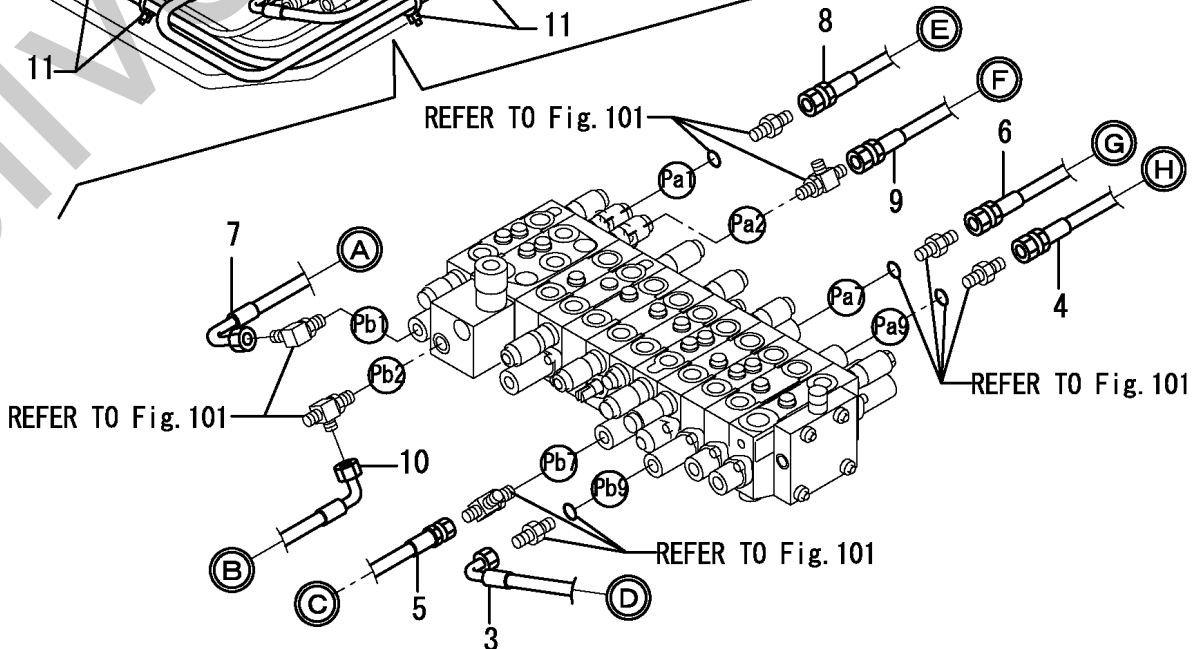


コントロールバルブ  
CONTROL VALVE

4ウェイバルブ  
4-WAY VALVE



REFER TO Fig. 101



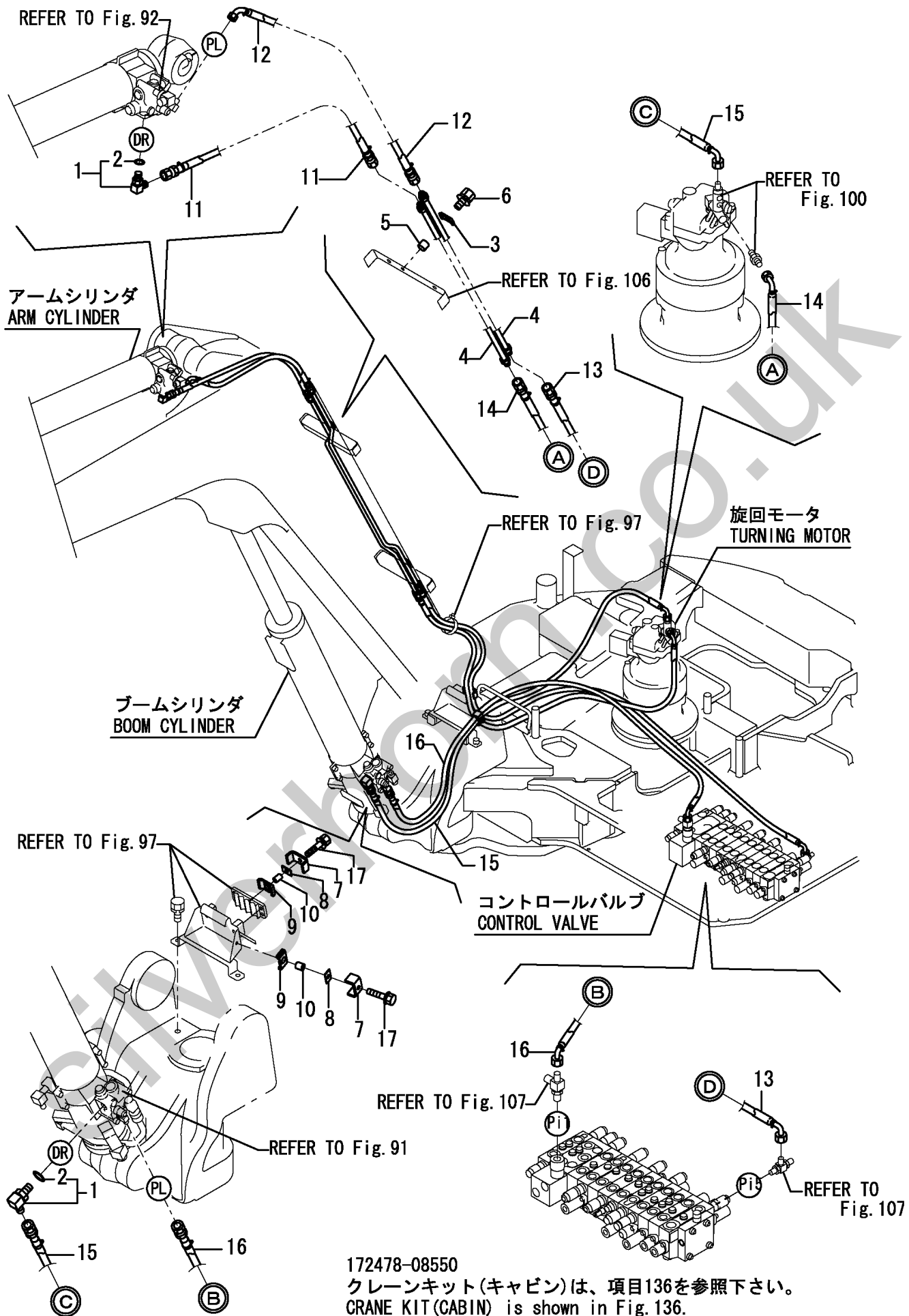
1,1,,172123-76121,, "JOINT PF1/4",8,8,,,,,,,,,,,,,,,,,  
2,1,,24315-000110,, "O-RING 1B P-11.0",8,8,,,,,,,,,,,,,,,,,  
3,1,,172455-78630,, "HOSE F403CC097",1,1,,,,,,,,,,,,,,,,,  
4,1,,172455-78640,, "HOSE F403BB060",1,1,,,,,,,,,,,,,,,,,  
5,1,,172478-78640,, "HOSE F403BB093",1,1,,,,,,,,,,,,,,,,,  
6,1,,172455-78680,, "HOSE F403BC058",1,1,,,,,,,,,,,,,,,,,  
7,1,,172455-78690,, "HOSE F403BB039",1,1,,,,,,,,,,,,,,,,,  
8,1,,172478-79630,, "HOSE F403BC100",1,1,,,,,,,,,,,,,,,,,  
9,1,,172478-79640,, "HOSE F403BC123",1,1,,,,,,,,,,,,,,,,,  
10,1,,172478-79650,, "HOSE F403BB144",1,1,,,,,,,,,,,,,,,,,  
11,1,,172478-79660,, "HOSE G604BB045",1,1,,,,,,,,,,,,,,,,,I  
11-1,1,,172478-79661,, "HOSE  
G604BB060",1,1,,,,,N,,24880027,\*2003.07,24880027,\*2003.07,,,,,,,,,I  
12,1,,172478-79670,, "HOSE F403BB165",1,1,,,,,,,,,,,,,,,,,  
13,1,,172478-79680,, "HOSE F403BB165",1,1,,,,,,,,,,,,,,,,,  
14,1,,172478-79690,, "HOSE F403BB150",1,1,,,,,,,,,,,,,,,,,  
15,1,,172122-79930,, "CLAMP B",4,4,,,,,,,,,,,,,,,,,  
16,1,,172122-79930,, "CLAMP B",1,1,,,,,,,,,,,,,,,,,  
17,1,,172123-76121,, "JOINT PF1/4",3,3,,,,,,,,,,,,,,,,,  
18,1,,172141-76180,, CONNECTOR,4,4,,,,,,,,,,,,,,,,,  
19,2,,24315-000110,, "O-RING 1B P-11.0",4,4,,,,,,,,,,,,,,,,,  
20,1,,24315-000110,, "O-RING 1B P-11.0",3,3,,,,,,,,,,,,,,,,,





1,1,,172141-76180,,CONNECTOR,2,2,,,,,,,,,,,,,,,,,,,,,  
2,2,,24315-000110,,,"O-RING 1B P-11.0",2,2,,,,,,,,,,,,,,,,,,,,,  
3,1,,172110-76170-4,,,"PLATE (GREEN:97)",2,2,,,,,,,,,,,,,,,,,,,,,  
4,1,,172478-76450,,,"TUBE ASSY",2,2,,,,,,,,,,,,,,,,,,,,,  
5,1,,172137-76580,,,"COLLER 9X11",2,2,,,,,,,,,,,,,,,,,,,,,  
6,1,,26014-080252,,,"BOLT M 8X 25",2,2,,,,,,,,,,,,,,,,,,,,,  
7,1,,172478-76520,,,"CLAMP 45X25(GREEN:97)",2,2,,,,,,,,,,,,,,,,,,,,,  
8,1,,172156-78490,,,"PLATE, RUBBER (B",2,2,,,,,,,,,,,,,,,,,,,,,  
9,1,,172156-78520,,,"SUPPORT, HOSE (B",2,2,,,,,,,,,,,,,,,,,,,,,  
10,1,,172156-78540,,,"COLLAR 9X 18",2,2,,,,,,,,,,,,,,,,,,,,,  
11,1,,172478-78910,,,"HOSE H204BB111K",1,1,,,,,,,,,,,,,,,,,,,,,  
12,1,,172478-78920,,,"HOSE H204BC107K",1,1,,,,,,,,,,,,,,,,,,,,,  
13,1,,172478-78930,,,"HOSE H204BC252K",1,1,,,,,,,,,,,,,,,,,,,,,  
14,1,,172478-78940,,,"HOSE H204BC202K",1,1,,,,,,,,,,,,,,,,,,,,,  
15,1,,172478-78950,,,"HOSE H204BC202K",1,1,,,,,,,,,,,,,,,,,,,,,  
16,1,,172478-78960,,,"HOSE H204BC240K",1,1,,,,,,,,,,,,,,,,,,,,,  
17,1,,26013-080352,,,"BOLT M 8X 35",2,2,,,,,,,,,,,,,,,,,,,,,

Silverhorn.CO.UK



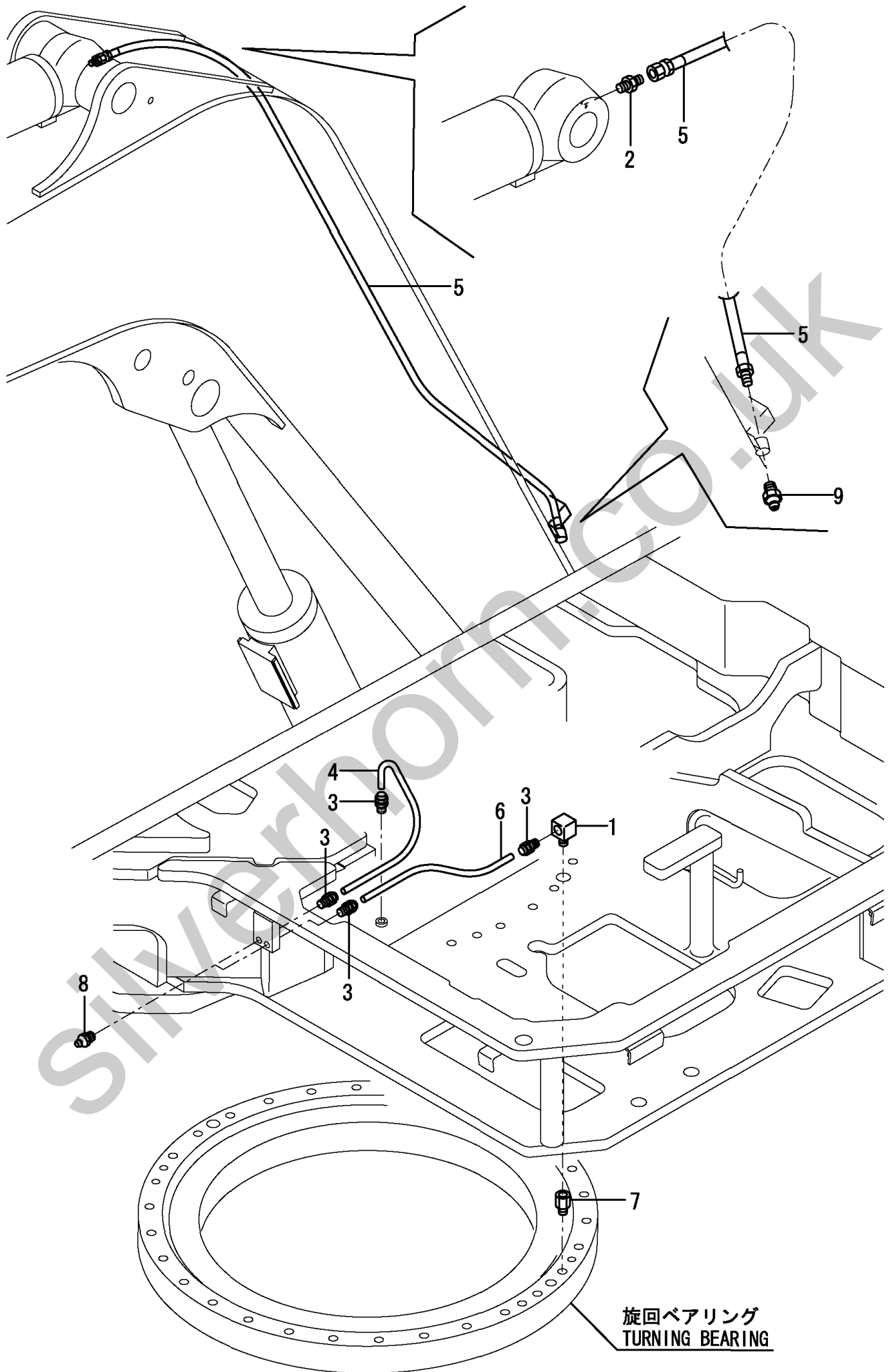
172478-08550  
 クレーンキット(キャビン)は、項目136を参照下さい。  
 CRANE KIT(CABIN) is shown in Fig.136.

172478-08560  
 クレーンキット(キャノピ)は、項目136を参照下さい。  
 CRANE KIT(CANOPY) is shown in Fig.136.



1,1,,172112-77480,, "ELBOW 1/8, STREET",1,1,1,,,,,,,,,,,,,  
2,1,,172112-77580,, "JOINT 1/8",1,1,1,,,,,,,,,,,,,  
3,1,,172141-77800,, "JOINT, GREASE",4,4,4,,,,,,,,,,,,,  
4,1,,172164-77800,, "HOSE P602YY050",1,1,1,,,,,,,,,,,,,  
5,1,,172187-77800,, "HOSE P202AB185",1,1,1,,,,,,,,,,,,,  
6,1,,172164-77810,, "HOSE P602YY070",1,1,1,,,,,,,,,,,,,  
7,1,,172312-77820,, "FITTING, GREASE",1,1,1,,,,,,,,,,,,,  
8,1,,24761-020000,, "NIPPLE PT1/8,GREASE",2,2,2,,,,,,,,,,,,,  
9,1,,24761-020000,, "NIPPLE PT1/8,GREASE",1,1,1,,,,,,,,,,,,,

Silverhorn.CO.UK

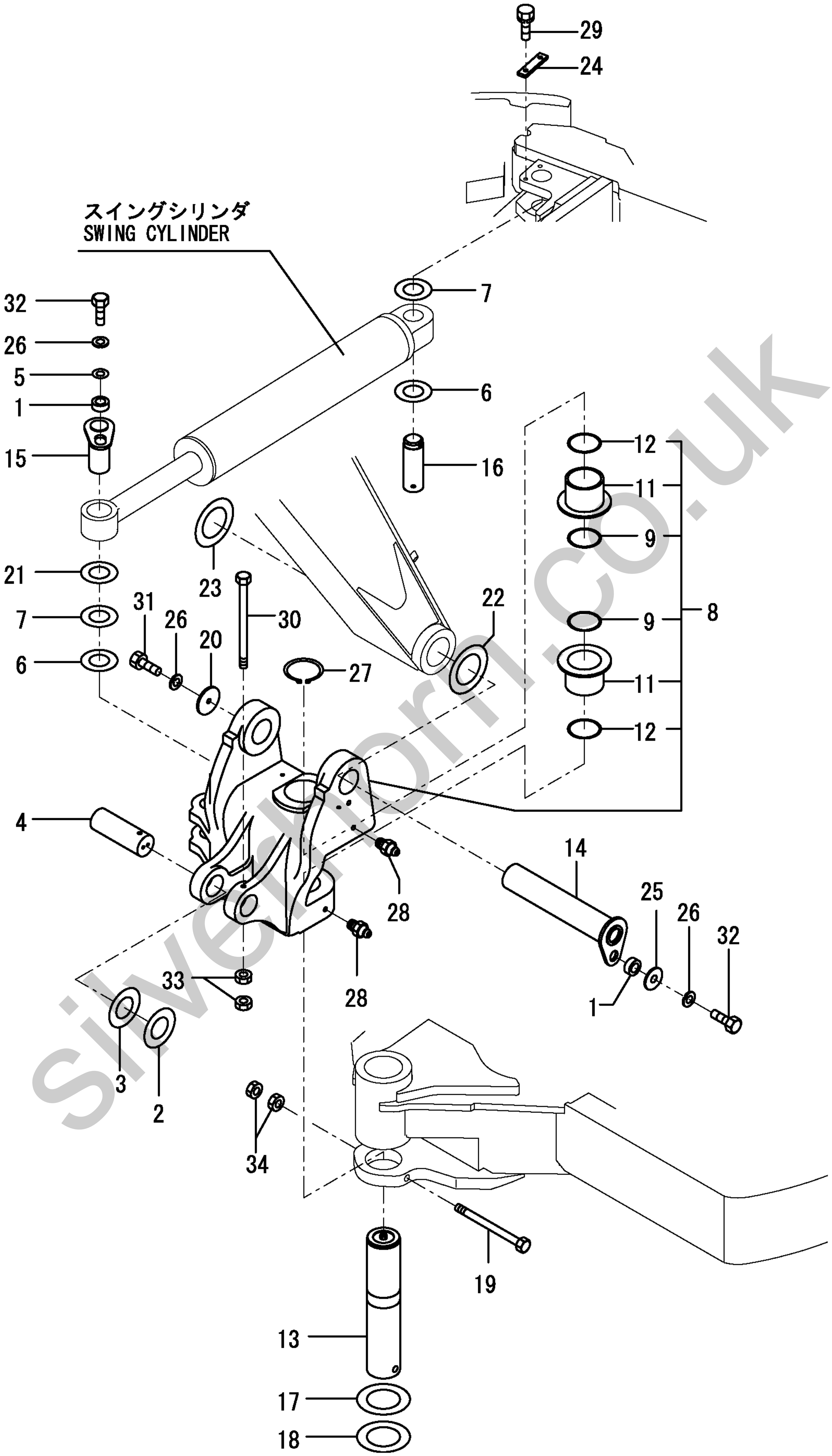


回転ベアリング  
TURNING BEARING

1,1,,172155-45790,,SPACER,2,2,2,,,,,,,,,,,,,,,,,,,,,  
2,1,,172176-81700,,SHIM,1,1,1,,,,,,,,,,,,,,,,,,,,,  
3,1,,172176-81710,,SHIM,1,1,1,,,,,,,,,,,,,,,,,,,,,  
4,1,,172187-81800,,,"PIN 70X200",1,1,1,,,,,,,,,,,,,,,,,,,,,  
5,1,,172187-81970,,WASHER,1,1,1,,,,,,,,,,,,,,,,,,,,,  
6,1,,172147-82230,,SHIM,4,4,4,,,,,,,,,,,,,,,,,,,,,  
7,1,,172147-82250,,SHIM,4,4,4,,,,,,,,,,,,,,,,,,,,,  
8,1,,172187-82300,,,"BRACKET,BOOM(GREEN97)",1,1,1,,,,,,,,,,,,,,,,,,,,,  
9,2,,172162-81680,,,"SEAL 100X120X7,DUST",2,2,2,,,,,,,,,,,,,,,,,,,,,  
11,2,,172187-82320,,,"BUSH 100X90",2,2,2,,,,,,,,,,,,,,,,,,,,,  
12,2,,24321-001000,,,"O-RING 1A G-100.0",2,2,2,,,,,,,,,,,,,,,,,,,,,  
13,1,,172187-82330,,,"PIN 100X487",1,1,1,,,,,,,,,,,,,,,,,,,,,  
14,1,,172187-82340,,,"PIN 80X435",1,1,1,,,,,,,,,,,,,,,,,,,,,  
15,1,,172187-82370,,,"PIN 60X144",1,1,1,,,,,,,,,,,,,,,,,,,,,  
16,1,,172187-82390,,,"PIN 60X155",1,1,1,,,,,,,,,,,,,,,,,,,,,  
17,1,,172187-82400,,,"SHIM 100X160X0.5",1,1,1,,,,,,,,,,,,,,,,,,,,,  
18,1,,172187-82410,,,"SHIM 100X160X0.8",1,1,1,,,,,,,,,,,,,,,,,,,,,  
19,1,,172187-82420,,,"BOLT 18X230",1,1,1,,,,,,,,,,,,,,,,,,,,,  
20,1,,172187-82430,,,"WASHER 15X90X6",1,1,1,,,,,,,,,,,,,,,,,,,,,  
21,1,,172187-82450,,,"SHIM 61X110X3.2",1,1,1,,,,,,,,,,,,,,,,,,,,,  
22,1,,172162-83600,,,"SHIM 80X155X0.5",1,1,1,,,,,,,,,,,,,,,,,,,,,  
23,1,,172162-83610,,,"SHIM 80X155X1.2",1,1,1,,,,,,,,,,,,,,,,,,,,,  
24,1,,172162-94280,,,"PLATE,LOCK(GREEN:88)",1,1,1,,,,,,,,,,,,,,,,,,,,,  
25,1,,22157-140000,,,"WASHER 14",1,1,1,,,,,,,,,,,,,,,,,,,,,  
26,1,,22217-140000,,,"SPRING WASHER 14",3,3,3,,,,,,,,,,,,,,,,,,,,,  
27,1,,22242-001000,,,"CIRCLIP 100",1,1,1,,,,,,,,,,,,,,,,,,,,,  
28,1,,24761-020000,,,"NIPPLE PT1/8,GREASE",2,2,2,,,,,,,,,,,,,,,,,,,,,  
29,1,,26013-120302,,,"BOLT W/WASHER M12X30",2,2,2,,,,,,,,,,,,,,,,,,,,,  
30,1,,26116-121402,,,"BOLT M12X140 PLATED",1,1,1,,,,,,,,,,,,,,,,,,,,,  
31,1,,26116-140252,,,"BOLT M14X 25 PLATED",1,1,1,,,,,,,,,,,,,,,,,,,,,  
32,1,,26116-140352,,,"BOLT M14X 35 PLATED",2,2,2,,,,,,,,,,,,,,,,,,,,,  
33,1,,26716-120002,,,"NUT 12",2,2,2,,,,,,,,,,,,,,,,,,,,,  
34,1,,26716-180002,,,"NUT M18",2,2,2,,,,,,,,,,,,,,,,,,,,,



スイングシリンダ  
SWING CYLINDER

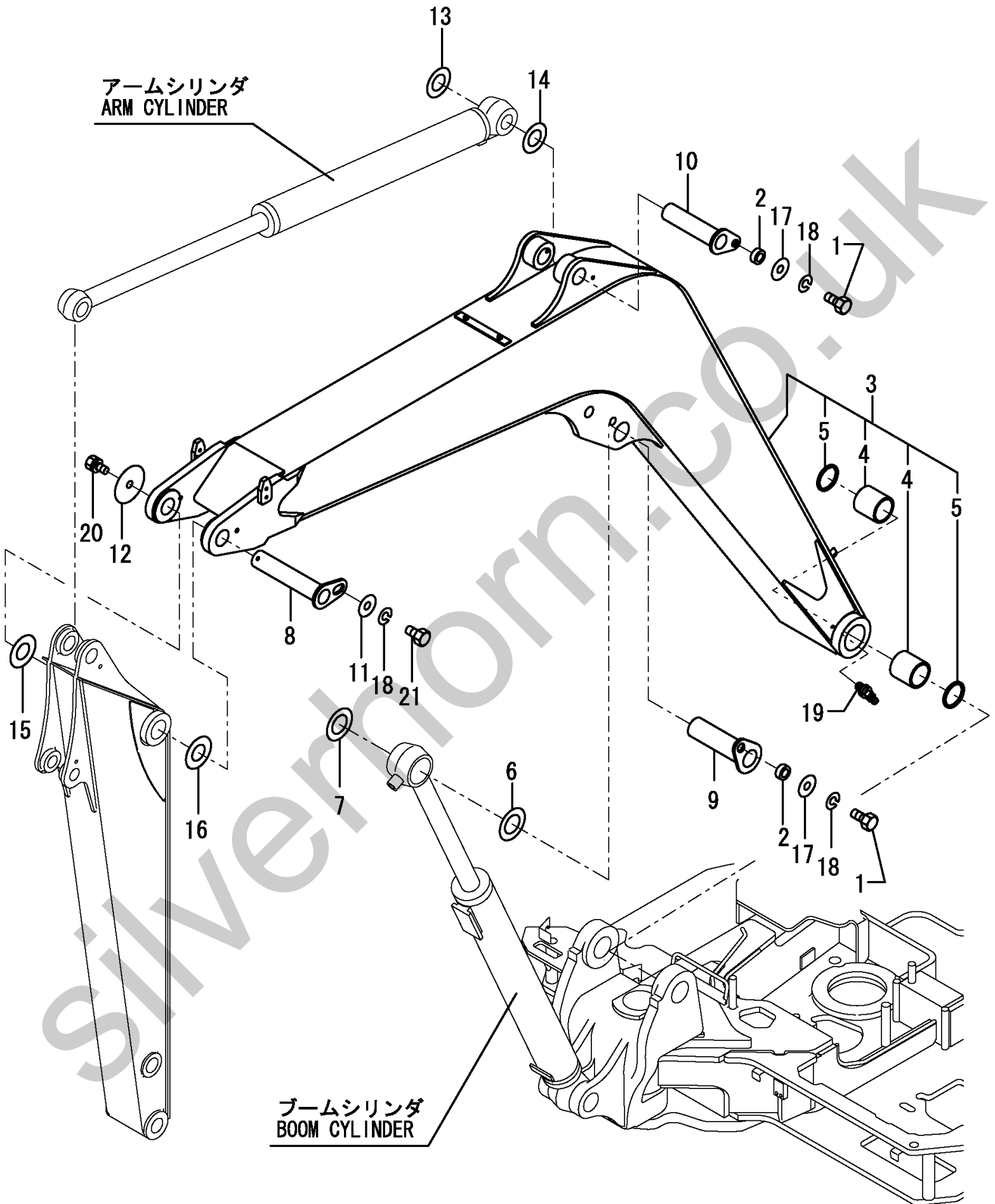


1,1,,26116-140352,, "BOLT M14X 35 PLATED",2,2,2,,,,,,,,,,,,,,,,,,,,,  
2,1,,172155-45790,, SPACER,2,2,2,,,,,,,,,,,,,,,,,,,,,  
3,1,,172187-81100,, "BOOM ASSY (GREEN:97)",1,1,1,,,,,,,,,,,,,,,,,,,,,  
4,2,,172162-81370,, "BUSH 80X95",2,2,2,,,,,,,,,,,,,,,,,,,,,  
5,2,,172162-81430,, "SEAL 80X95X5,DUST",2,2,2,,,,,,,,,,,,,,,,,,,,,  
6,1,,172176-81700,, SHIM,1,1,1,,,,,,,,,,,,,,,,,,,,,  
7,1,,172176-81710,, SHIM,1,1,1,,,,,,,,,,,,,,,,,,,,,  
8,1,,172187-81750,, "PIN 60X307",1,1,1,,,,,,,,,,,,,,,,,,,,,  
9,1,,172187-81810,, "PIN 70X252",1,1,1,,,,,,,,,,,,,,,,,,,,,  
10,1,,172187-81840,, "PIN 60X243",1,1,1,,,,,,,,,,,,,,,,,,,,,  
11,1,,172187-81970,, WASHER,1,1,1,,,,,,,,,,,,,,,,,,,,,  
12,1,,172147-82140,, WASHER,1,1,1,,,,,,,,,,,,,,,,,,,,,  
13,1,,172147-82230,, SHIM,1,1,1,,,,,,,,,,,,,,,,,,,,,  
14,1,,172147-82250,, SHIM,1,1,1,,,,,,,,,,,,,,,,,,,,,  
15,1,,172162-83560,, "SHIM 60X120X0.5",1,1,1,,,,,,,,,,,,,,,,,,,,,  
16,1,,172162-83570,, "SHIM 60X120X1.2",1,1,1,,,,,,,,,,,,,,,,,,,,,  
17,1,,22157-140000,, "WASHER 14",2,2,2,,,,,,,,,,,,,,,,,,,,,  
18,1,,22217-140000,, "SPRING WASHER 14",3,3,3,,,,,,,,,,,,,,,,,,,,,  
19,1,,24761-040000,, "NIPPLE B,GREASE",1,1,1,,,,,,,,,,,,,,,,,,,,,  
20,1,,26013-120252,, "BOLT M12X 25",1,1,1,,,,,,,,,,,,,,,,,,,,,  
21,1,,26116-140252,, "BOLT M14X 25 PLATED",1,1,1,,,,,,,,,,,,,,,,,,,,,

Silverhorn.CO.UK

アームシリンダ  
ARM CYLINDER

ブームシリンダ  
BOOM CYLINDER

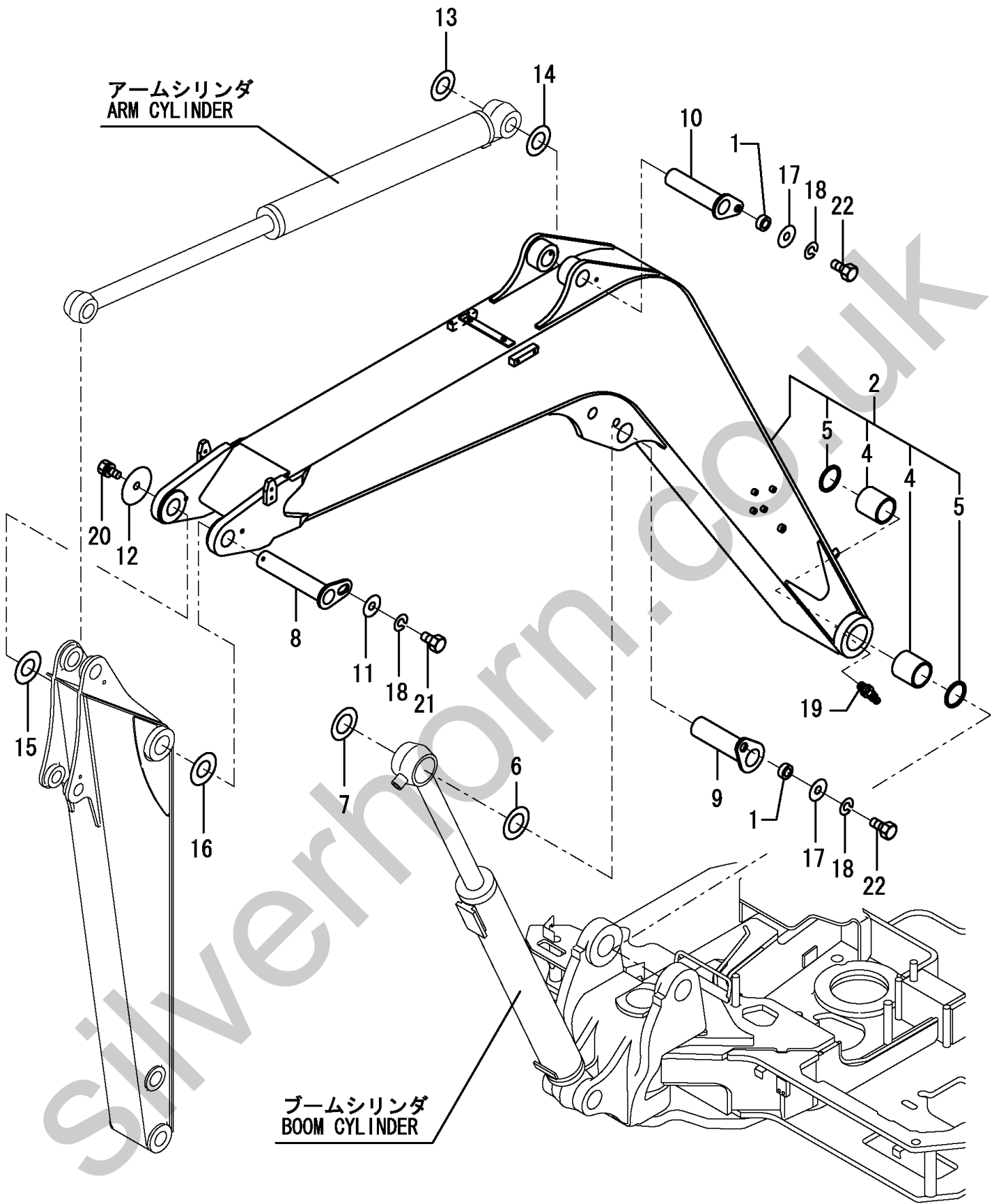


1,1,,172155-45790,,SPACER,2,2,,,,,,,,,,,,,,,,,,,,,  
2,1,,172187-81050,,,"BOOM,CRANE(GREEN:97)",1,1,,,,,,,,,,,,,,,,,,,,,  
4,3,,172162-81370,,,"BUSH 80X95",2,2,,,,,,,,,,,,,,,,,,,,,  
5,3,,172162-81430,,,"SEAL 80X95X5,DUST",2,2,,,,,,,,,,,,,,,,,,,,,  
6,1,,172176-81700,,SHIM,1,1,,,,,,,,,,,,,,,,,,,,,  
7,1,,172176-81710,,SHIM,1,1,,,,,,,,,,,,,,,,,,,,,  
8,1,,172187-81750,,,"PIN 60X307",1,1,,,,,,,,,,,,,,,,,,,,,  
9,1,,172187-81810,,,"PIN 70X252",1,1,,,,,,,,,,,,,,,,,,,,,  
10,1,,172187-81840,,,"PIN 60X243",1,1,,,,,,,,,,,,,,,,,,,,,  
11,1,,172187-81970,,WASHER,1,1,,,,,,,,,,,,,,,,,,,,,  
12,1,,172147-82140,,WASHER,1,1,,,,,,,,,,,,,,,,,,,,,  
13,1,,172147-82230,,SHIM,1,1,,,,,,,,,,,,,,,,,,,,,  
14,1,,172147-82250,,SHIM,1,1,,,,,,,,,,,,,,,,,,,,,  
15,1,,172162-83560,,,"SHIM 60X120X0.5",1,1,,,,,,,,,,,,,,,,,,,,,  
16,1,,172162-83570,,,"SHIM 60X120X1.2",1,1,,,,,,,,,,,,,,,,,,,,,  
17,1,,22157-140000,,,"WASHER 14",2,2,,,,,,,,,,,,,,,,,,,,,  
18,1,,22217-140000,,,"SPRING WASHER 14",3,3,,,,,,,,,,,,,,,,,,,,,  
19,1,,24761-040000,,,"NIPPLE B,GREASE",1,1,,,,,,,,,,,,,,,,,,,,,  
20,1,,26013-120252,,,"BOLT M12X 25",1,1,,,,,,,,,,,,,,,,,,,,,  
21,1,,26116-140252,,,"BOLT M14X 25 PLATED",1,1,,,,,,,,,,,,,,,,,,,,,  
22,1,,26116-140352,,,"BOLT M14X 35 PLATED",2,2,,,,,,,,,,,,,,,,,,,,,

Silverhorn.CO.UK

アームシリンダ  
ARM CYLINDER

ブームシリンダ  
BOOM CYLINDER



172478-08550

クレーンキット(キャビン)は、項目136を参照下さい。  
CRANE KIT(CABIN) is shown in Fig.136.

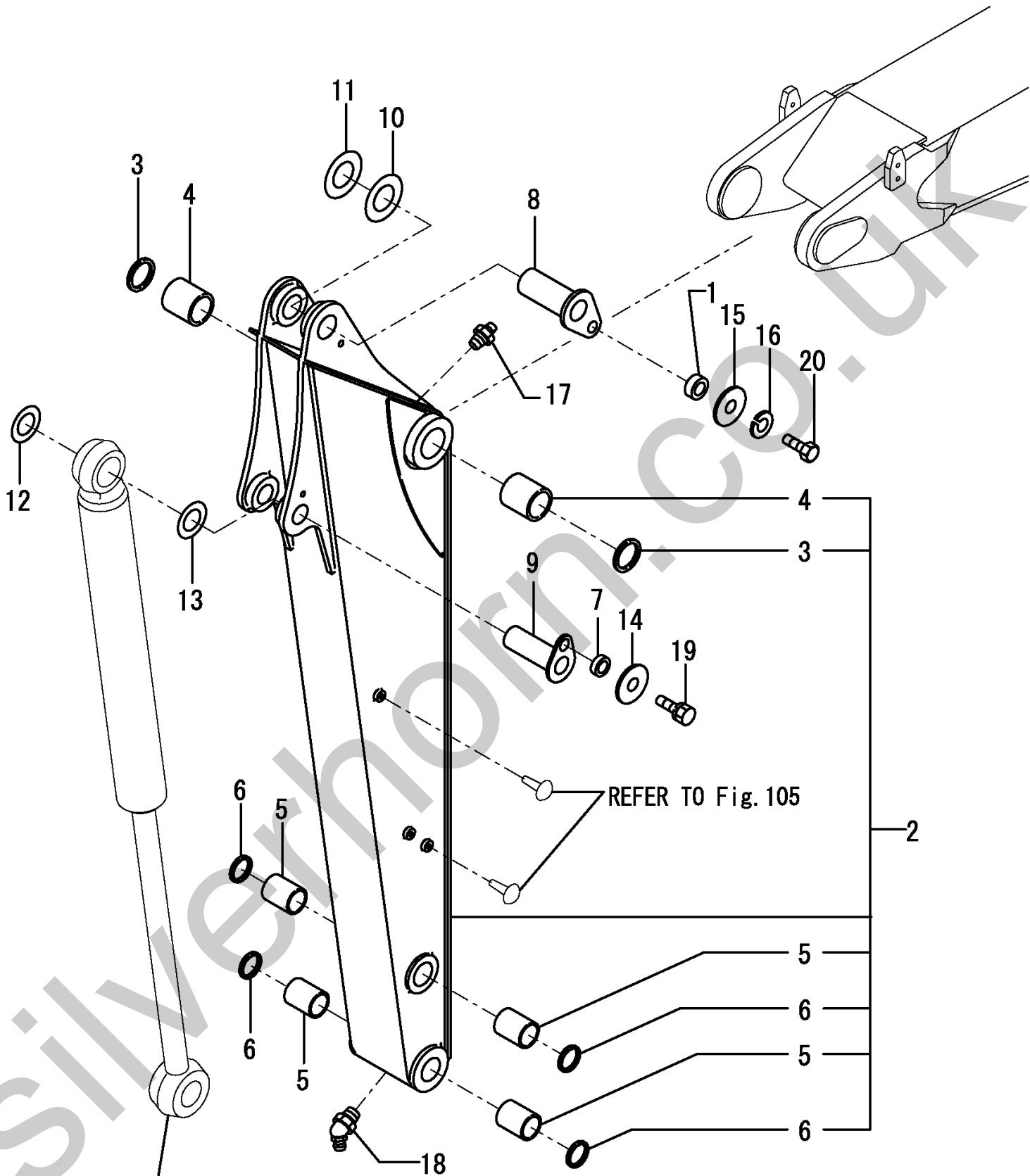
172478-08560

クレーンキット(キャノピ)は、項目136を参照下さい。  
CRANE KIT(CANOPY) is shown in Fig.136.



1,1,,172155-45790,,SPACER,1,1,1,,,,,,,,,,,,,  
2,1,,172187-81503,,,"ARM ASSY (1650)",1,1,1,,,,,,,,,,,,,  
3,2,,172162-81050,,,"SEAL 60X75X6,DUST",2,2,2,,,,,,,,,,,,,  
4,2,,172147-81400,,BUSH,2,2,2,,,,,,,,,,,,,  
5,2,,172187-81710,,,"BUSH 50X75",4,4,4,,,,,,,,,,,,,  
6,2,,172162-82340,,,"SEAL 50X60X6,DUST",4,4,4,,,,,,,,,,,,,  
7,1,,172164-81670,,SPACER,1,1,1,,,,,,,,,,,,,  
8,1,,172187-81861,,,"PIN 60X155",1,1,1,,,,,,,,,,,,,  
9,1,,172187-81880,,,"PIN 50X144",1,1,1,,,,,,,,,,,,,  
10,1,,172147-82230,,SHIM,1,1,1,,,,,,,,,,,,,  
11,1,,172147-82250,,SHIM,1,1,1,,,,,,,,,,,,,  
12,1,,172165-82520,,,"SHIM 50X85X0.5",1,1,1,,,,,,,,,,,,,  
13,1,,172165-82530,,,"SHIM 50X85X1.2",1,1,1,,,,,,,,,,,,,  
14,1,,22157-120000,,,"WASHER 12",1,1,1,,,,,,,,,,,,,  
15,1,,22157-140000,,,"WASHER 14",1,1,1,,,,,,,,,,,,,  
16,1,,22217-140000,,,"SPRING WASHER 14",1,1,1,,,,,,,,,,,,,  
17,1,,24761-020000,,,"NIPPLE PT1/8,GREASE",1,1,1,,,,,,,,,,,,,  
18,1,,24761-040000,,,"NIPPLE B,GREASE",1,1,1,,,,,,,,,,,,,  
19,1,,26013-120302,,,"BOLT W/WASHER M12X30",1,1,1,,,,,,,,,,,,,  
20,1,,26116-140352,,,"BOLT M14X 35 PLATED",1,1,1,,,,,,,,,,,,,

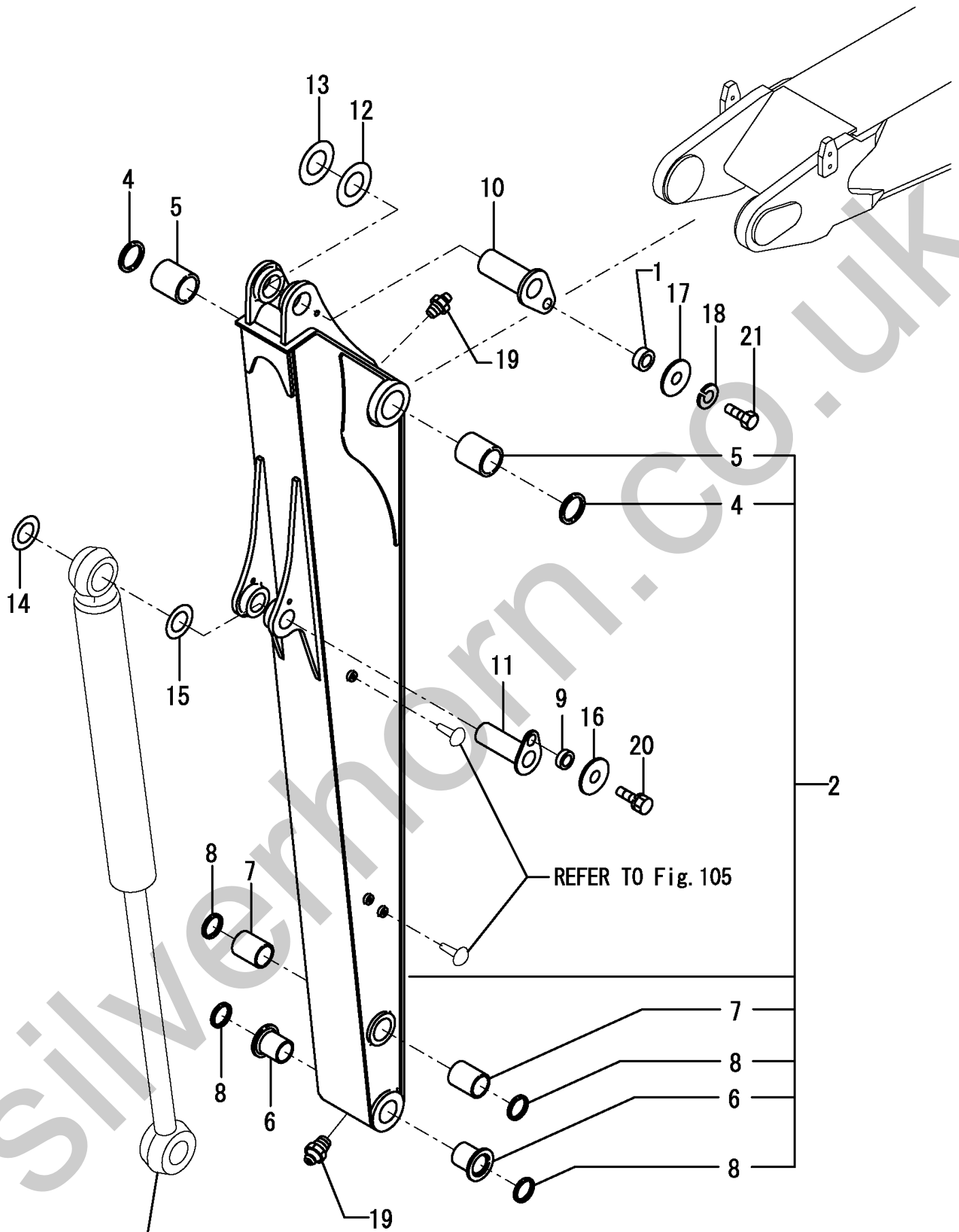
Silverhorn.CO.UK



バケットシリンダ  
 BUCKET CYLINDER

1,1,,172155-45790,,SPACER,1,,,,,,,,,,,,,,,,,,,,,  
2,1,,172187-81010,,,"ARM 2150 (GREEN:97)",1,,,,,,,,,,,,,,,,,,,,,  
4,2,,172162-81050,,,"SEAL 60X75X6,DUST",2,,,,,,,,,,,,,,,,,,,,,  
5,2,,172147-81400,,BUSH,2,,,,,,,,,,,,,,,,,,,,,  
6,2,,172187-81700,,,"BUSH 50-60",2,,,,,,,,,,,,,,,,,,,,,  
7,2,,172187-81710,,,"BUSH 50X75",2,,,,,,,,,,,,,,,,,,,,,  
8,2,,172162-82340,,,"SEAL 50X60X6,DUST",4,,,,,,,,,,,,,,,,,,,,,  
9,1,,172164-81670,,SPACER,1,,,,,,,,,,,,,,,,,,,,,  
10,1,,172187-81861,,,"PIN 60X155",1,,,,,,,,,,,,,,,,,,,,,  
11,1,,172187-81880,,,"PIN 50X144",1,,,,,,,,,,,,,,,,,,,,,  
12,1,,172147-82230,,SHIM,1,,,,,,,,,,,,,,,,,,,,,  
13,1,,172147-82250,,SHIM,1,,,,,,,,,,,,,,,,,,,,,  
14,1,,172165-82520,,,"SHIM 50X85X0.5",1,,,,,,,,,,,,,,,,,,,,,  
15,1,,172165-82530,,,"SHIM 50X85X1.2",1,,,,,,,,,,,,,,,,,,,,,  
16,1,,22157-120000,,,"WASHER 12",1,,,,,,,,,,,,,,,,,,,,,  
17,1,,22157-140000,,,"WASHER 14",1,,,,,,,,,,,,,,,,,,,,,  
18,1,,22217-140000,,,"SPRING WASHER 14",1,,,,,,,,,,,,,,,,,,,,,  
19,1,,24761-020000,,,"NIPPLE PT1/8,GREASE",2,,,,,,,,,,,,,,,,,,,,,  
20,1,,26013-120302,,,"BOLT W/WASHER M12X30",1,,,,,,,,,,,,,,,,,,,,,  
21,1,,26116-140352,,,"BOLT M14X 35 PLATED",1,,,,,,,,,,,,,,,,,,,,,

Silverhorn.CO.UK

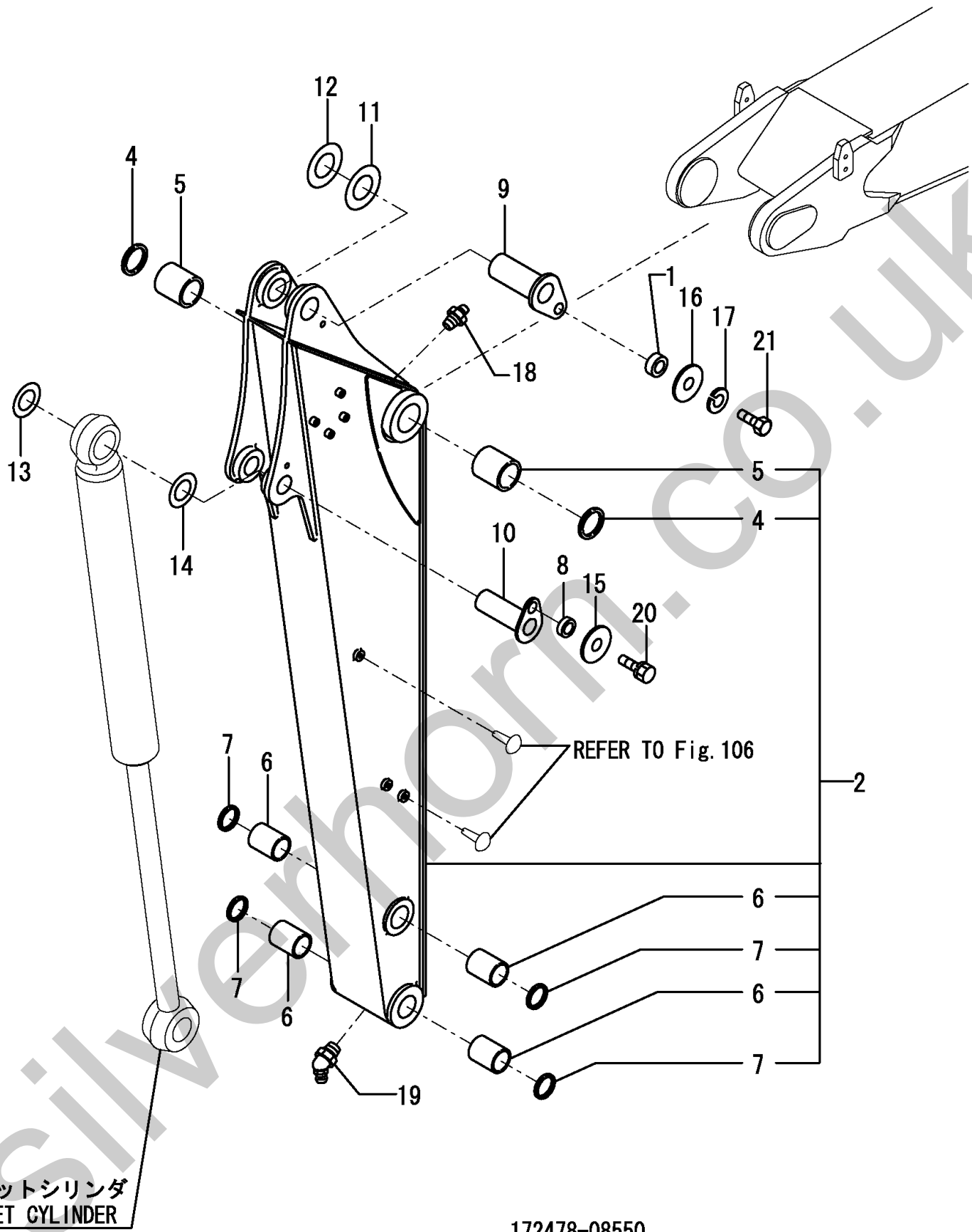


バケットシリンダ  
BUCKET CYLINDER

172187-08700  
 ロングアームキットは、項目137を参照下さい  
 LONG ARM KIT is shown in Fig. 137

1,1,,172155-45790,,SPACER,1,1,,,,,,,,,,,,,,,,,,,,,  
2,1,,172187-81071,, "ARM,1650(CRANE)",1,1,,,,,,,,,,,,,,,,,,,,,  
4,3,,172162-81050,, "SEAL 60X75X6,DUST",2,2,,,,,,,,,,,,,,,,,,,,,  
5,3,,172147-81400,,BUSH,2,2,,,,,,,,,,,,,,,,,,,,,  
6,3,,172187-81710,, "BUSH 50X75",4,4,,,,,,,,,,,,,,,,,,,,,  
7,3,,172162-82340,, "SEAL 50X60X6,DUST",4,4,,,,,,,,,,,,,,,,,,,,,  
8,1,,172164-81670,,SPACER,1,1,,,,,,,,,,,,,,,,,,,,,  
9,1,,172187-81861,, "PIN 60X155",1,1,,,,,,,,,,,,,,,,,,,,,  
10,1,,172187-81880,, "PIN 50X144",1,1,,,,,,,,,,,,,,,,,,,,,  
11,1,,172147-82230,,SHIM,1,1,,,,,,,,,,,,,,,,,,,,,  
12,1,,172147-82250,,SHIM,1,1,,,,,,,,,,,,,,,,,,,,,  
13,1,,172165-82520,, "SHIM 50X85X0.5",1,1,,,,,,,,,,,,,,,,,,,,,  
14,1,,172165-82530,, "SHIM 50X85X1.2",1,1,,,,,,,,,,,,,,,,,,,,,  
15,1,,22157-120000,, "WASHER 12",1,1,,,,,,,,,,,,,,,,,,,,,  
16,1,,22157-140000,, "WASHER 14",1,1,,,,,,,,,,,,,,,,,,,,,  
17,1,,22217-140000,, "SPRING WASHER 14",1,1,,,,,,,,,,,,,,,,,,,,,  
18,1,,24761-020000,, "NIPPLE PT1/8,GREASE",1,1,,,,,,,,,,,,,,,,,,,,,  
19,1,,24761-040000,, "NIPPLE B,GREASE",1,1,,,,,,,,,,,,,,,,,,,,,  
20,1,,26013-120302,, "BOLT W/WASHER M12X30",1,1,,,,,,,,,,,,,,,,,,,,,  
21,1,,26116-140352,, "BOLT M14X 35 PLATED",1,1,,,,,,,,,,,,,,,,,,,,,

Silverhorn.CO.UK



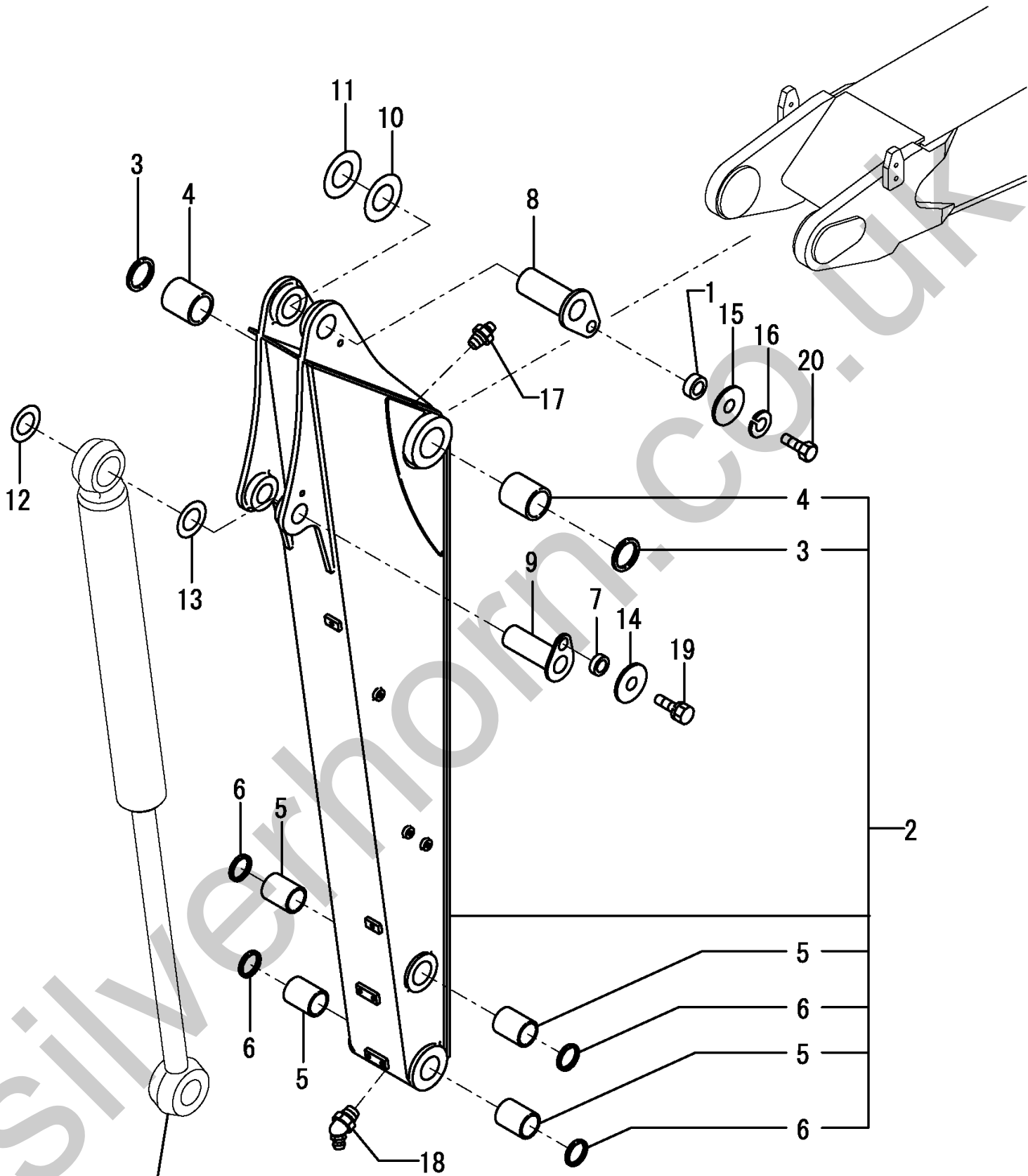
バケットシリンダ  
BUCKET CYLINDER

172478-08550  
クレーンキット(キャビン)は、項目136を参照下さい。  
CRANE KIT(CABIN) is shown in Fig. 136.

172478-08560  
クレーンキット(キャノピ)は、項目136を参照下さい。  
CRANE KIT(CANOPY) is shown in Fig. 136.

1,1,,172155-45790,,SPACER,1,,1,,,,,,,,,,,,,,,,,,,,,I  
2,1,,172978-81500-1,,,"ARM 1650 Q(GREEN:97)",1,1,,,,,,,,,,,,,,,,,,,,,I  
3,2,,172162-81050,,,"SEAL 60X75X6,DUST",2,,2,,,,,,,,,,,,,,,,,,,,,I  
4,2,,172147-81400,,BUSH,2,,2,,,,,,,,,,,,,,,,,,,,,I  
5,2,,172187-81710,,,"BUSH 50X75",4,,4,,,,,,,,,,,,,,,,,,,,,I  
6,2,,172162-82340,,,"SEAL 50X60X6,DUST",4,,4,,,,,,,,,,,,,,,,,,,,,I  
7,1,,172164-81670,,SPACER,1,,1,,,,,,,,,,,,,,,,,,,,,I  
8,1,,172187-81861,,,"PIN 60X155",1,,1,,,,,,,,,,,,,,,,,,,,,I  
9,1,,172187-81880,,,"PIN 50X144",1,,1,,,,,,,,,,,,,,,,,,,,,I  
10,1,,172147-82230,,SHIM,1,,1,,,,,,,,,,,,,,,,,,,,,I  
11,1,,172147-82250,,SHIM,1,,1,,,,,,,,,,,,,,,,,,,,,I  
12,1,,172165-82520,,,"SHIM 50X85X0.5",1,,1,,,,,,,,,,,,,,,,,,,,,I  
13,1,,172165-82530,,,"SHIM 50X85X1.2",1,,1,,,,,,,,,,,,,,,,,,,,,I  
14,1,,22157-120000,,,"WASHER 12",1,,1,,,,,,,,,,,,,,,,,,,,,I  
15,1,,22157-140000,,,"WASHER 14",1,,1,,,,,,,,,,,,,,,,,,,,,I  
16,1,,22217-140000,,,"SPRING WASHER 14",1,,1,,,,,,,,,,,,,,,,,,,,,I  
17,1,,24761-020000,,,"NIPPLE PT1/8,GREASE",1,,1,,,,,,,,,,,,,,,,,,,,,I  
18,1,,24761-040000,,,"NIPPLE B,GREASE",1,,1,,,,,,,,,,,,,,,,,,,,,I  
19,1,,26013-120302,,,"BOLT W/WASHER M12X30",1,,1,,,,,,,,,,,,,,,,,,,,,I  
20,1,,26116-140352,,,"BOLT M14X 35 PLATED",1,,1,,,,,,,,,,,,,,,,,,,,,I

Silverhorn.CO.UK



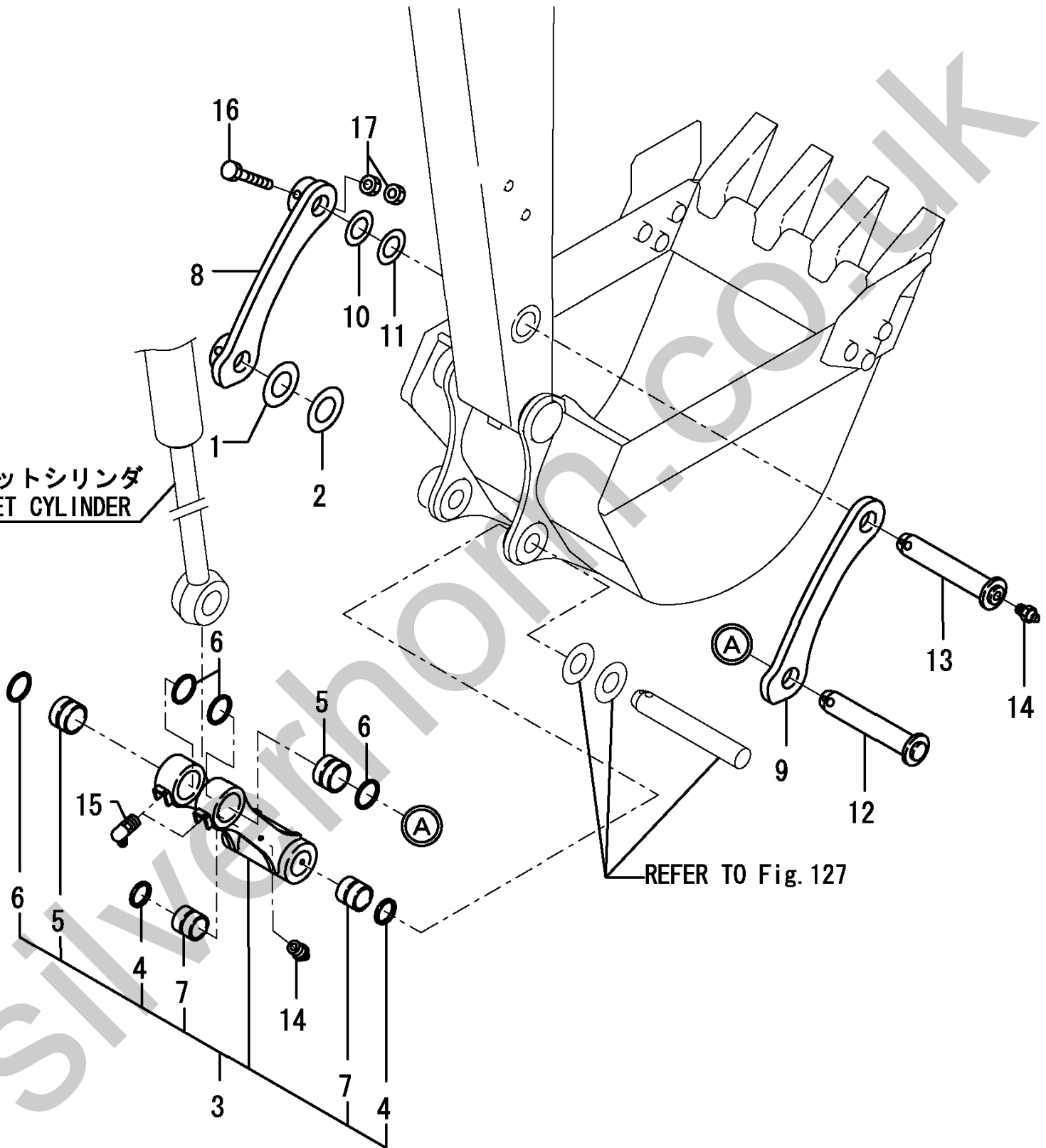
**BUCKET CYLINDER**



1,1,,172147-82230,,SHIM,1,1,1,,,,,,,,,,,,,  
2,1,,172147-82250,,SHIM,1,1,1,,,,,,,,,,,,,  
3,1,,172455-82300,, "BUCKET LINK (97)",1,1,,,,,,,,,,,,,  
3-1,1,,172455-82301,, "BUCKET LINK  
(97)",1,1,1,,,R,,72455370,M/#20613,72455370,M/#20613,,,,,,,,,I  
4,2,,172162-82340,, "SEAL 50X60X6,DUST",2,2,2,,,,,,,,,,,,,  
5,2,,172455-82360,, "BUSH 60X47",2,2,2,,,,,,,,,,,,,  
6,2,,172455-82410,, "DUST SEAL 60X70X4",4,4,4,,,,,,,,,,,,,  
7,2,,172187-83040,, "BUSHING 50X60X54.5",2,2,2,,,,,,,,,,,,,  
8,1,,172455-82380,, "ARM, BUCKET R",1,1,1,,,,,,,,,,,,,  
9,1,,172455-82391,, "ARM, BUCKET L",1,1,1,,,,,,,,,,,,,  
10,1,,172165-82520,, "SHIM 50X85X0.5",1,1,1,,,,,,,,,,,,,  
11,1,,172165-82530,, "SHIM 50X85X1.2",1,1,1,,,,,,,,,,,,,  
12,1,,172455-83350,, "PIN 60X248",1,1,1,,,,,,,,,,,,,  
13,1,,172455-83360,, "PIN 50X248",1,1,1,,,,,,,,,,,,,  
14,1,,24761-020000,, "NIPPLE PT1/8,GREASE",3,3,3,,,,,,,,,,,,,  
15,1,,24761-050000,, "NIPPLE C,GREASE",2,2,2,,,,,,,,,,,,,  
16,1,,26116-161202,, "BOLT M16X120 PLATED",2,2,2,,,,,,,,,,,,,  
17,1,,26716-160002,, "NUT M16",4,4,4,,,,,,,,,,,,,

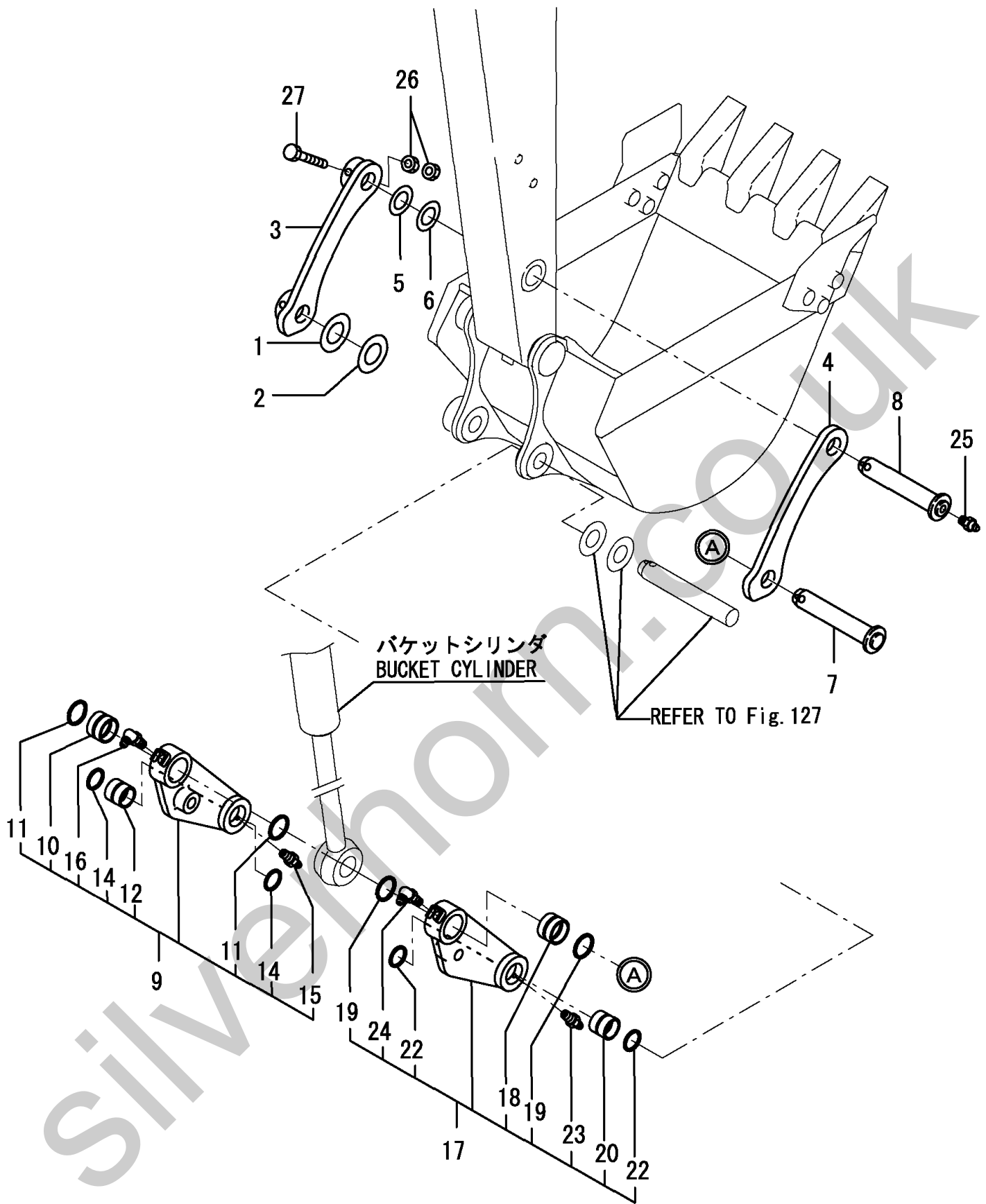
Silverhorn.CO.UK

バケットシリンダ  
BUCKET CYLINDER



1,1,,172147-82230,,SHIM,1,1,,,,,,,,,,,,,  
 2,1,,172147-82250,,SHIM,1,1,,,,,,,,,,,,,  
 3,1,,172455-82380,,,"ARM, BUCKET R",1,1,,,,,,,,,,,,,  
 4,1,,172455-82391,,,"ARM, BUCKET L",1,1,,,,,,,,,,,,,  
 5,1,,172165-82520,,,"SHIM 50X85X0.5",1,1,,,,,,,,,,,,,  
 6,1,,172165-82530,,,"SHIM 50X85X1.2",1,1,,,,,,,,,,,,,  
 7,1,,172455-83350,,,"PIN 60X248",1,1,,,,,,,,,,,,,  
 8,1,,172455-83360,,,"PIN 50X248",1,1,,,,,,,,,,,,,  
 9,1,,172455-84301,,,"LINK R ASSY, BUCKET",1,1,,,,,,,,,,,,,  
 9-1,1,,172455-84302,,,"LINK R, BUCKET  
 (97)",1,1,,,,,R,,72488008,M/#20628,72488008,M/#20628,,,,,,I  
 10,2,,172455-82360,,,"BUSH 60X47",1,1,,,,,,,,,,,,,  
 11,2,,172455-82410,,,"DUST SEAL 60X70X4",2,2,,,,,,,,,,,,,  
 12,2,,172187-83040,,,"BUSHING 50X60X54.5",1,1,,,,,,,,,,,,,  
 14,2,,172511-91320,,,"SEAL 50X60X4, DUST",2,2,,,,,,,,,,,,,  
 15,2,,24761-020000,,,"NIPPLE PT1/8,GREASE",1,1,,,,,,,,,,,,,  
 16,2,,24761-050000,,,"NIPPLE C,GREASE",1,1,,,,,,,,,,,,,  
 17,1,,172455-84351,,,"LINK L ASSY, BUCKET",1,1,,,,,,,,,,,,,  
 17-1,1,,172455-84352,,,"LINK L, BUCKET  
 (97)",1,1,,,,,R,,72488008,M/#20628,72488008,M/#20628,,,,,,I  
 18,2,,172455-82360,,,"BUSH 60X47",1,1,,,,,,,,,,,,,  
 19,2,,172455-82410,,,"DUST SEAL 60X70X4",2,2,,,,,,,,,,,,,  
 20,2,,172187-83040,,,"BUSHING 50X60X54.5",1,1,,,,,,,,,,,,,  
 22,2,,172511-91320,,,"SEAL 50X60X4, DUST",2,2,,,,,,,,,,,,,  
 23,2,,24761-020000,,,"NIPPLE PT1/8,GREASE",1,1,,,,,,,,,,,,,  
 24,2,,24761-050000,,,"NIPPLE C,GREASE",1,1,,,,,,,,,,,,,  
 25,1,,24761-020000,,,"NIPPLE PT1/8,GREASE",1,1,,,,,,,,,,,,,  
 26,1,,26716-160002,,,"NUT M16",4,4,,,,,,,,,,,,,  
 27,1,,26116-161202,,,"BOLT M16X120 PLATED",2,2,,,,,,,,,,,,





172478-08550

クレーンキット(キャビン)は、項目136を参照下さい。  
 CRANE KIT(CABIN) is shown in Fig.136.

172478-08560

クレーンキット(キャノピ)は、項目136を参照下さい。  
 CRANE KIT(CANOPY) is shown in Fig.136.

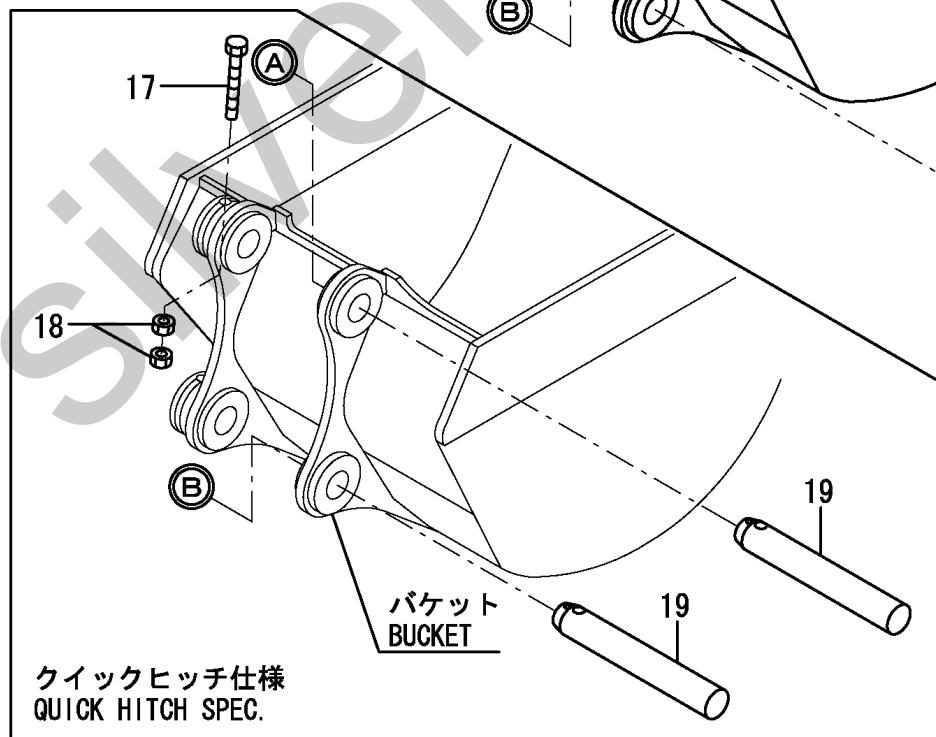
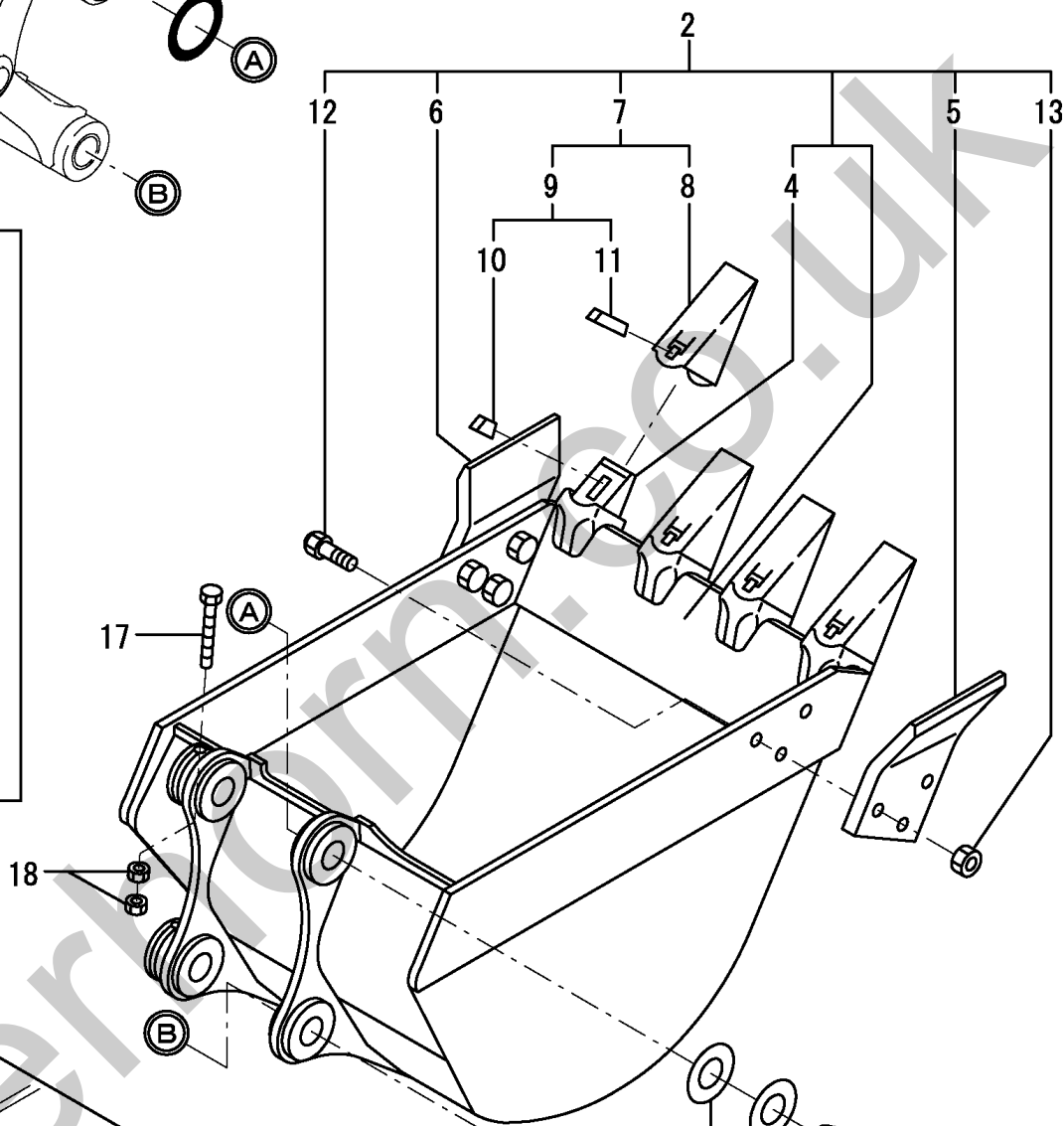
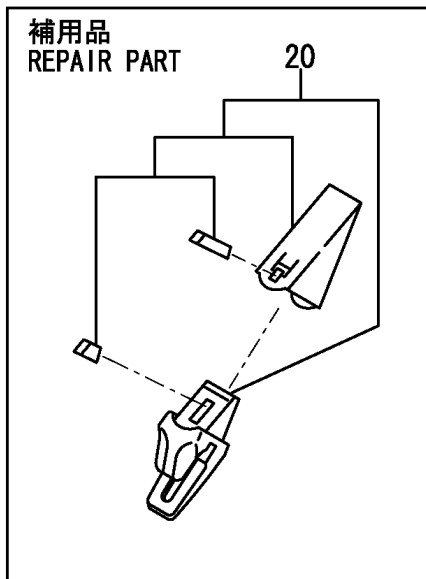
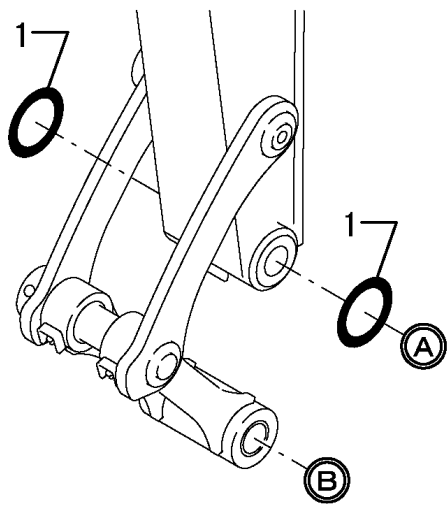
1,1,,172958-17120,, "COLLER 9X4",2,,2,,,,,,,,,,,,,,,,,,,,,I  
 2,1,,172124-46200,, "O-RING 27X5.7",1,,1,,,,,,,,,,,,,,,,,,,,,I  
 3,1,,172455-61720,, "BOLT M 10X20",2,,2,,,,,,,,,,,,,,,,,,,,,I  
 4,1,,172162-82360,, "O-RING 86X8",2,,2,,,,,,,,,,,,,,,,,,,,,I  
 5,1,,172978-83101-1,, "BRACKET-A (GREEN:97)",1,,1,,,,,,,,,,,,,,,,,,,,,I  
 6,1,,172978-83111-1,, "BRACKET-B (GREEN:97)",1,,1,,,,,,,,,,,,,,,,,,,,,I  
 7,1,,172978-83120,, "PIN 45X65",2,,2,,,,,,,,,,,,,,,,,,,,,I  
 8,1,,172978-83130,, "PIN 45X161",1,,1,,,,,,,,,,,,,,,,,,,,,I  
 9,1,,172978-83140,, BOLT,2,,2,,,,,,,,,,,,,,,,,,,,,I  
 10,1,,172978-83140,, BOLT,1,,1,,,,,,,,,,,,,,,,,,,,,I  
 11,1,,172978-83150,, "PIN 50X345",1,,1,,,,,,,,,,,,,,,,,,,,,I  
 12,1,,172978-83160,, "PIN 50X361",1,,1,,,,,,,,,,,,,,,,,,,,,I  
 13,1,,172978-83170-1,, "PLATE,LOCK(GREEN:97)",1,,1,,,,,,,,,,,,,,,,,,,,,I  
 14,1,,172978-83190,, "PIN,LOCK",1,,1,,,,,,,,,,,,,,,,,,,,,I  
 17,1,,172960-83210,, "COLLAR 35.5X55X1.2",1,,1,,,,,,,,,,,,,,,,,,,,,I  
 18,1,,172978-83221-1,, "COVER,HITCH CYL.(97)",1,,1,,,,,,,,,,,,,,,,,,,,,I  
 19,1,,172978-83270-1,, "GUARD (GREEB:97)",1,,1,,,,,,,,,,,,,,,,,,,,,I  
 20,1,,172978-83290,, "PLATE,RUBBER",1,,1,,,,,,,,,,,,,,,,,,,,,I  
 21,1,,172978-83300-1,, "PLATE (GREEN:97)",1,,1,,,,,,,,,,,,,,,,,,,,,I  
 22,1,,172978-83320-1,, "COVER,ARM (GREEN:97)",1,,1,,,,,,,,,,,,,,,,,,,,,I  
 23,1,,22133-100000,, "WASHER 10",1,,1,,,,,,,,,,,,,,,,,,,,,I  
 24,1,,22137-080000,, "WASHER 8, POLISHED",2,,2,,,,,,,,,,,,,,,,,,,,,I  
 25,1,,22137-100000,, "WASHER 10,POLISHED",4,,4,,,,,,,,,,,,,,,,,,,,,I  
 26,1,,22242-000350,, "CIRCLIP 35",1,,1,,,,,,,,,,,,,,,,,,,,,I  
 27,1,,22252-000450,, "CIRCLIP 45",2,,2,,,,,,,,,,,,,,,,,,,,,I  
 28,1,,22252-000450,, "CIRCLIP 45",2,,2,,,,,,,,,,,,,,,,,,,,,I  
 29,1,,24311-000700,, "O-RING 1A P-70.0",2,,2,,,,,,,,,,,,,,,,,,,,,I  
 30,1,,24761-020000,, "NIPPLE PT1/8,GREASE",2,,2,,,,,,,,,,,,,,,,,,,,,I  
 31,1,,24761-020000,, "NIPPLE PT1/8,GREASE",1,,1,,,,,,,,,,,,,,,,,,,,,I  
 32,1,,26013-080162,, "BOLT W/WASHER M8X16",4,,4,,,,,,,,,,,,,,,,,,,,,I  
 33,1,,26013-100252,, "BOLT W/WASHER M10X25",2,,2,,,,,,,,,,,,,,,,,,,,,I  
 34,1,,26013-100552,, "BOLT M10X 55",2,,2,,,,,,,,,,,,,,,,,,,,,I  
 35,1,,26116-080202,, "BOLT M 8X 20 PLATED",2,,2,,,,,,,,,,,,,,,,,,,,,I  
 36,1,,26116-161002,, "BOLT M16X100 PLATED",1,,1,,,,,,,,,,,,,,,,,,,,,I  
 37,1,,26116-161002,, "BOLT M16X100 PLATED",1,,1,,,,,,,,,,,,,,,,,,,,,I  
 38,1,,26716-160002,, "NUT M16",2,,2,,,,,,,,,,,,,,,,,,,,,I  
 39,1,,26716-160002,, "NUT M16",2,,2,,,,,,,,,,,,,,,,,,,,,I  
 40,1,,26756-100002,, "LOCK NUT M10 PLATED",1,,1,,,,,,,,,,,,,,,,,,,,,I





1,1,,172162-82360,, "O-RING 86X8",2,2,2,,,,,,,,,,,,,,,,,,,,,  
2,1,,172455-82490,, "BUCKET ASSY, 750",1,1,1,,,,,,,,,,,,,,,,,,,,,  
4,3,,172455-82671,, "ADAPTER",4,4,4,,,,,,,,,,,,,,,,,,,,,  
5,2,,172455-82650,, "CUTTER L, SIDE",1,1,1,,,,,,,,,,,,,,,,,,,,,  
6,2,,172455-82660,, "CUTTER R, SIDE",1,1,1,,,,,,,,,,,,,,,,,,,,,  
7,2,,172455-82760,, "POINT ASSY, 25S (97)",4,4,4,,,,,,,,,,,,,,,,,,,,,I  
8,3,,172455-82681,, "POINT 25S (97)",4,4,4,,,,,,,,,,,,,,,,,,,,,  
9,3,,172455-82770,, "PIN SET, RUBBER",4,4,4,,,,,,,,,,,,,,,,,,,,,I  
10,4,,172455-82691,, "PIN, RUBBER",4,4,4,,,,,,,,,,,,,,,,,,,,,  
11,4,,172455-82701,, "PIN, LOCKING",4,4,4,,,,,,,,,,,,,,,,,,,,,  
12,2,,172455-82710,, "BOLT M22X62",6,6,6,,,,,,,,,,,,,,,,,,,,,  
13,2,,172455-82720,, "NUT",6,6,6,,,,,,,,,,,,,,,,,,,,,  
14,1,,172455-83340,, "PIN 50X301",2,2,2,,,,,,,,,,,,,,,,,,,,,  
15,1,,172162-83540,, "SHIM 50X110X0.5",2,2,2,,,,,,,,,,,,,,,,,,,,,  
16,1,,172162-83550,, "SHIM 50X110X1.2",2,2,2,,,,,,,,,,,,,,,,,,,,,  
17,1,,26116-161302,, "BOLT M16X130 PLATED",2,2,2,,,,,,,,,,,,,,,,,,,,,  
18,1,,26716-160002,, "NUT M16",4,4,4,,,,,,,,,,,,,,,,,,,,,  
19,1,,172978-81400,, "PIN 50X301",2,2,2,,,,,,,,,,,,,,,,,,,,,I  
20,1,,172455-82750,, "TOOTH ASSY(GREEN:97)",1,1,1,,,,,,,,,,,,,,,,,,,,,I

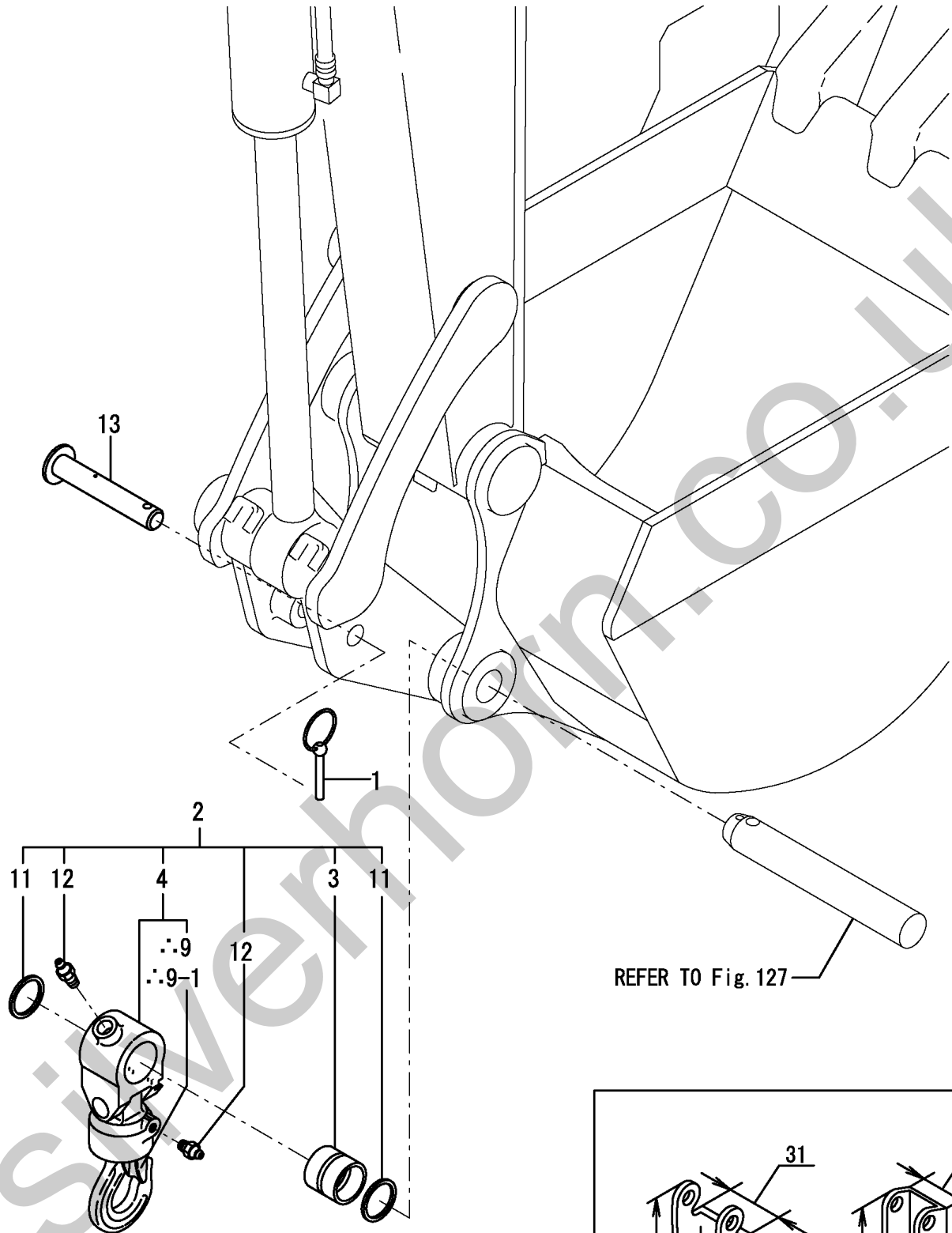
Silverhorn.CO.UK





1,1,,794130-71410,, "PIN ASSY,BALL SOCKET",1,1,,,,,,,,,,,,,  
2,1,,172455-84100,, "HOOK ASSY(YELLOW:87)",1,1,,,,,,,,,,,,,  
3,2,,172187-83040,, "BUSHING 50X60X54.5",1,1,,,,,,,,,,,,,  
4,2,,172455-84110,, "HOOK ASSY,CRANE (87)",1,1,,,,,1,,,,,,,,,  
9,4,,172455-84160,, "RATCH ASSY, CRANE",1,1,,,,,,,,,,,,,I  
9-1,4,,172455-84161,, "RATCH ASSY,  
CRANE",1,1,,,,,S,,724880030,XXX,724880030,XXX,,,,,,,,,I  
11,2,,172511-91320,, "SEAL 50X60X4, DUST",2,2,,,,,,,,,,,,,  
12,2,,24761-020000,, "NIPPLE PT1/8,GREASE",2,2,,,,,,,,,,,,,  
13,1,,172455-84370,, "PIN, HOOK",1,1,,,,,,,,,,,,,

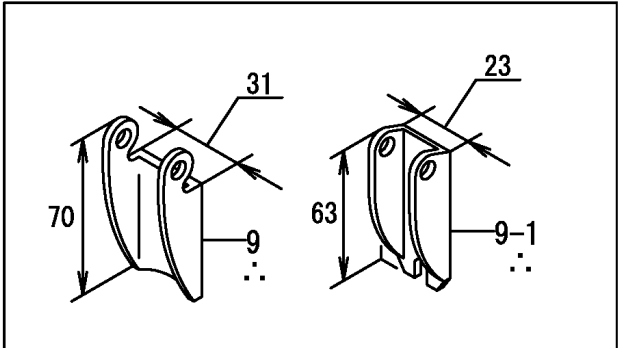
Silverhorn.CO.UK



REFER TO Fig. 127

172478-08550  
 クレーンキット(キャビン)は、項目136を参照下さい。  
 CRANE KIT(CABIN) is shown in Fig. 136.

172478-08560  
 クレーンキット(キャノピ)は、項目136を参照下さい。  
 CRANE KIT(CANOPY) is shown in Fig. 136.

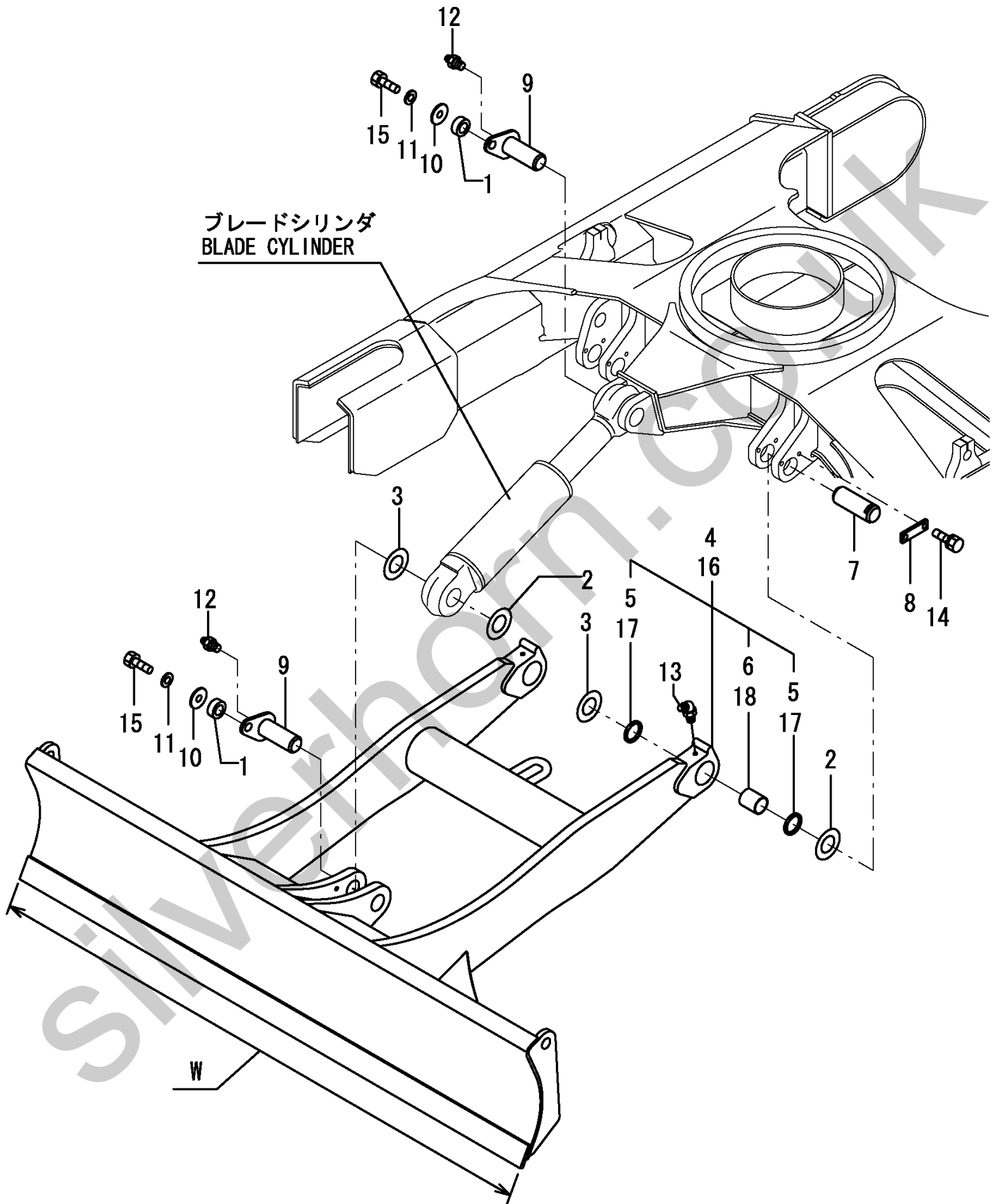


∴印が今回変更(追記)した個所です。  
 ∴.MARKED PART HAS BEEN CHANGED (ADDED).

1,1,,172155-45790,,SPACER,2,2,2,,,,,,,,,,,,,  
2,1,,172147-82230,,SHIM,4,4,4,,,,,,,,,,,,,  
3,1,,172147-82250,,SHIM,4,4,4,,,,,,,,,,,,,  
4,1,,172478-94100,, "BLADE CMP (GREEN:88)",1,1,1,,,,,1,,,,,,,,,,,,,  
5,2,,172162-81050,, "SEAL 60X75X6,DUST",4,4,4,,,,,,,,,,,,,  
6,2,,172162-81060,, "BUSH 60X55",2,2,2,,,,,,,,,,,,,  
7,1,,172162-94270,,PIN,2,2,2,,,,,,,,,,,,,  
8,1,,172162-94280,, "PLATE,LOCK(GREEN:88)",2,2,2,,,,,,,,,,,,,  
9,1,,172187-94300,, "PIN 60X147",2,2,2,,,,,,,,,,,,,  
10,1,,22157-140000,, "WASHER 14",2,2,2,,,,,,,,,,,,,  
11,1,,22217-140000,, "SPRING WASHER 14",2,2,2,,,,,,,,,,,,,  
12,1,,24761-020000,, "NIPPLE PT1/8,GREASE",2,2,2,,,,,,,,,,,,,  
13,1,,24761-040000,, "NIPPLE B,GREASE",2,2,2,,,,,,,,,,,,,  
14,1,,26013-120302,, "BOLT W/WASHER M12X30",4,4,4,,,,,,,,,,,,,  
15,1,,26116-140352,, "BOLT M14X 35 PLATED",2,2,2,,,,,,,,,,,,,  
16,1,,172187-94101,, "BLADE ASSY",1,1,,,,,2,,,,,,,,,,,,,  
17,2,,172162-81050,, "SEAL 60X75X6,DUST",4,4,,,,,,,,,,,,,  
18,2,,172162-81060,, "BUSH 60X55",2,2,,,,,,,,,,,,,

Silverhorn.CO.UK

ブレードシリンダ  
BLADE CYLINDER



1,1,,172478-08100,, "AIR CONDITIONER KIT",1,,,,,,,,,,,,,,,,,,,,,I

Silverhorn.CO.UK

Fig. 23 電装品(ワイリング :エアコン仕様)  
ELECTRIC PART (WIRING :  
A/C SPEC.)

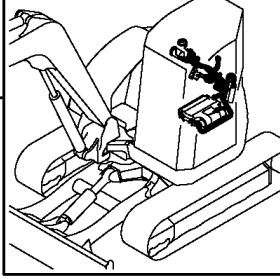


Fig. 31 インジケータボックス  
INDICATOR BOX

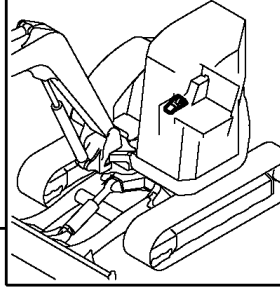


Fig. 33 ヒータ(エアコン仕様)  
HEATER (AIR CONDITIONER  
SPEC.)

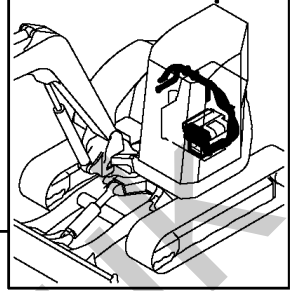


Fig. 34 エアコン(エンジン関連)  
AIR CONDITIONER  
(ENGINE RELATED)

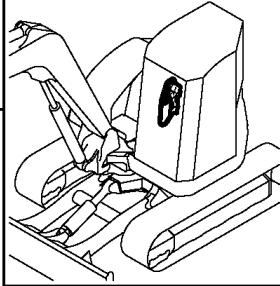


Fig. 35 エアコン(コンデンサ関連)  
AIR CONDITIONER  
(CONDENSER RELATED)

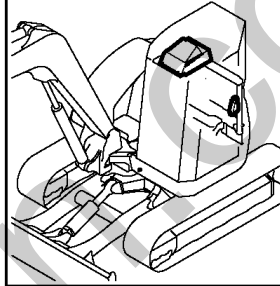


Fig. 36 エアコン(キャビン関連)  
AIR CONDITIONER  
(CABIN RELATED)

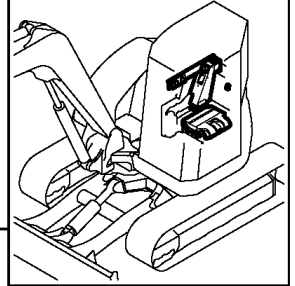


Fig. 37 エアコン(配管)  
AIR CONDITIONER (PIPING)

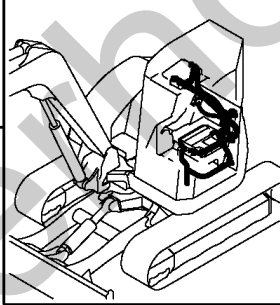


Fig. 51 カバー(シート廻り:1)  
COVER (AROUND THE CONTROL:  
1)

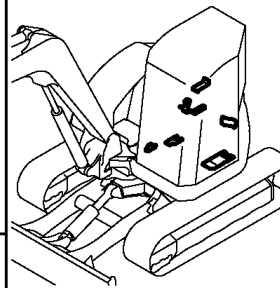


Fig. 52 カバー(シート廻り:1)  
COVER (AROUND THE CONTROL:  
2)

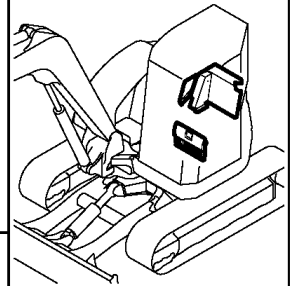


Fig. 55 シート&シートマウント  
(エアコン仕様)  
SEAT & SEAT MOUNT  
(A/C SPEC.)

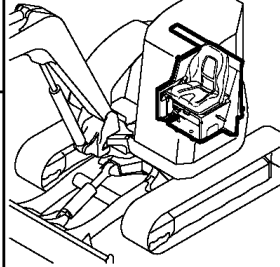
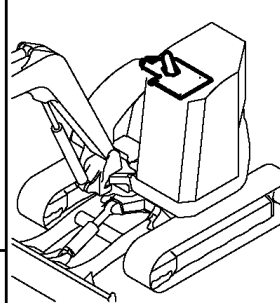


Fig. 57 ボンネット(上カバー)  
BONNET (UPPER COVER)



1

エアコンキット  
AIR CONDITIONER KIT  
(172478-08100)

1,1,,172455-08160,, "HEATER KIT",,1,,,,,,,,,,,,,,,,,,,,,I

Silverhorn.CO.UK

Fig. 31 インジケータボックス  
INDICATOR BOX

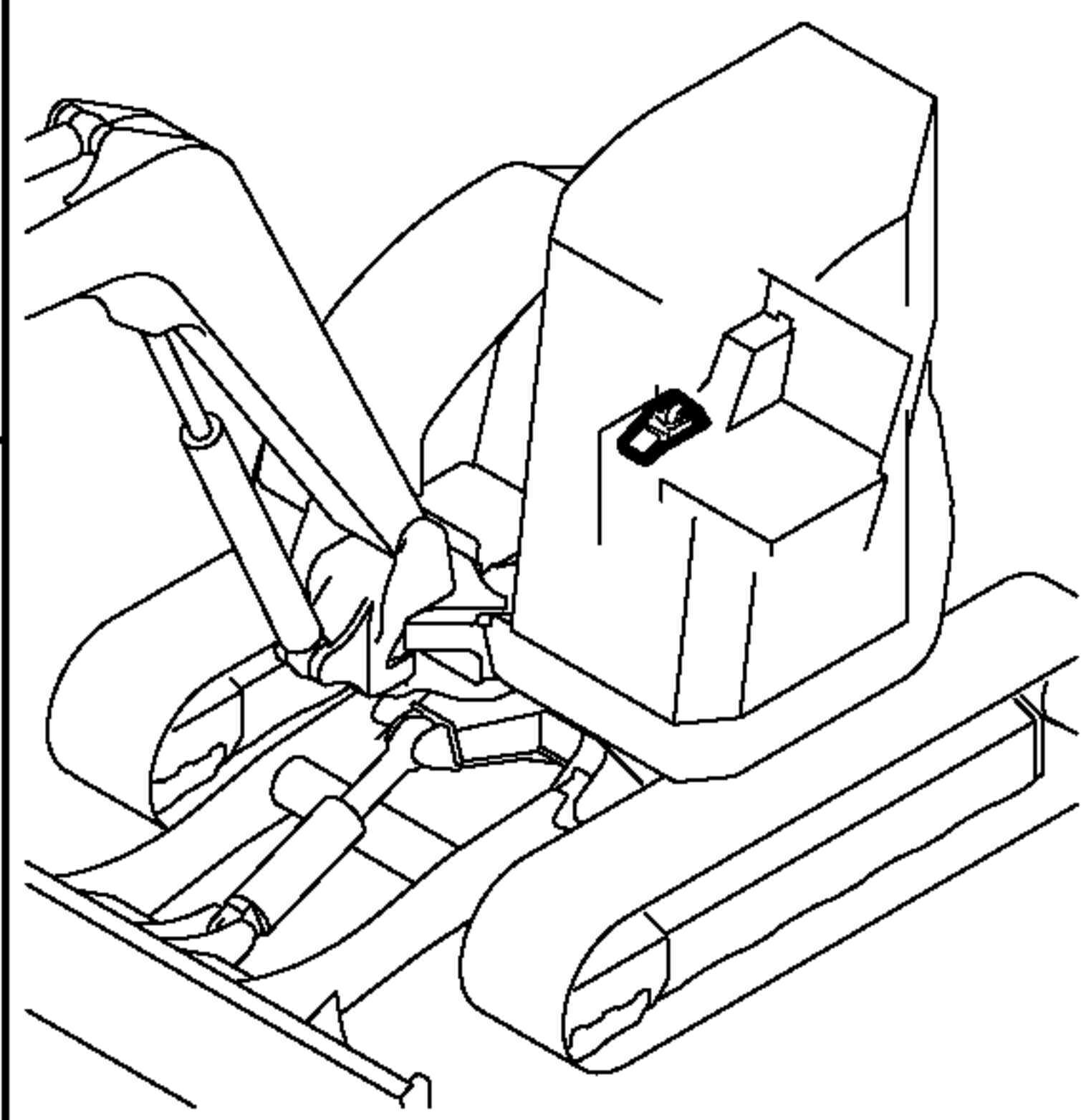
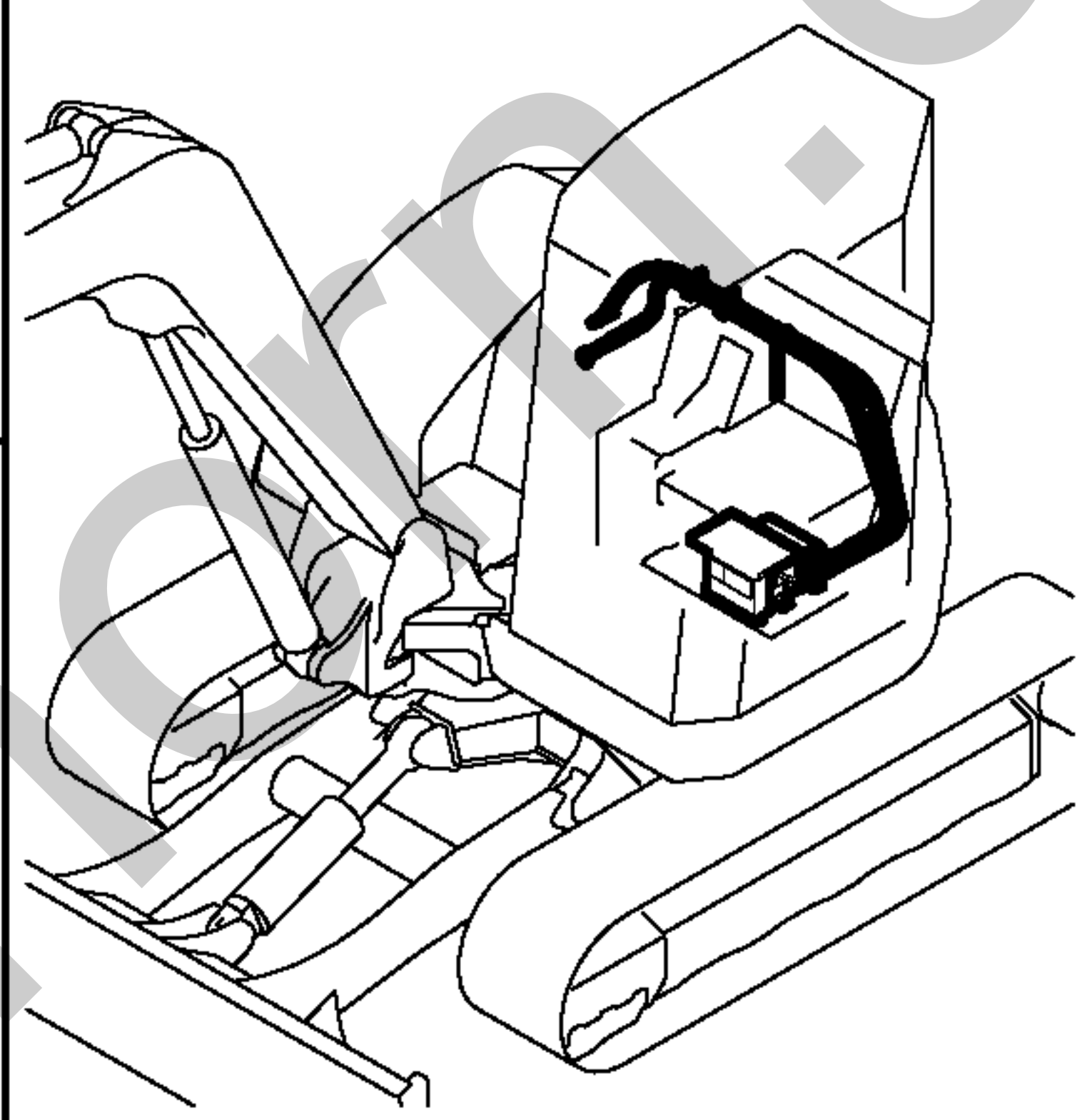
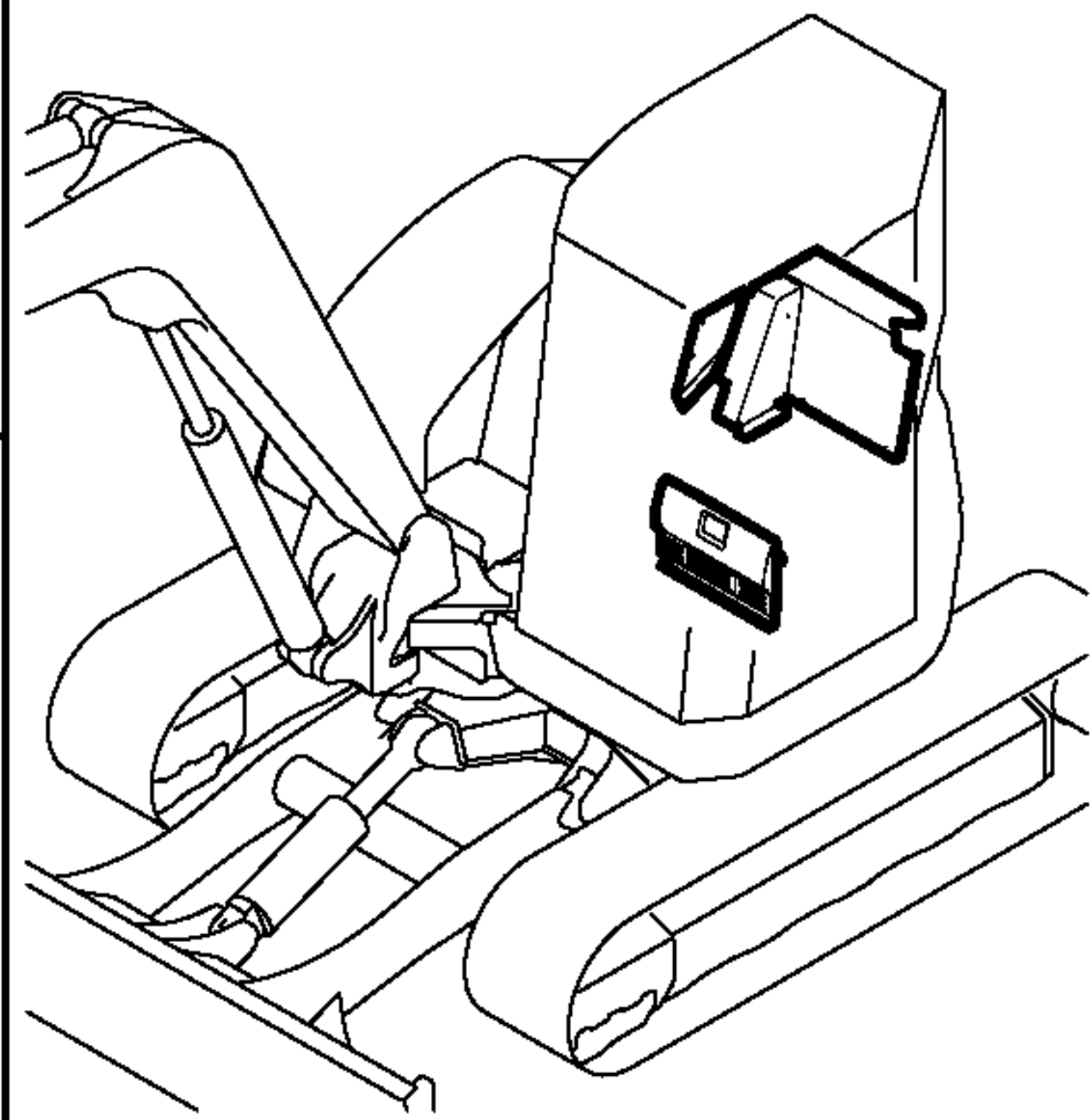


Fig. 32 ヒータ  
HEATER



1  
ヒータキット  
HEATER KIT  
(172455-08160)

Fig. 52 カバー(操縦廻り;2)  
COVER  
(AROUND THE CONTROL;2)

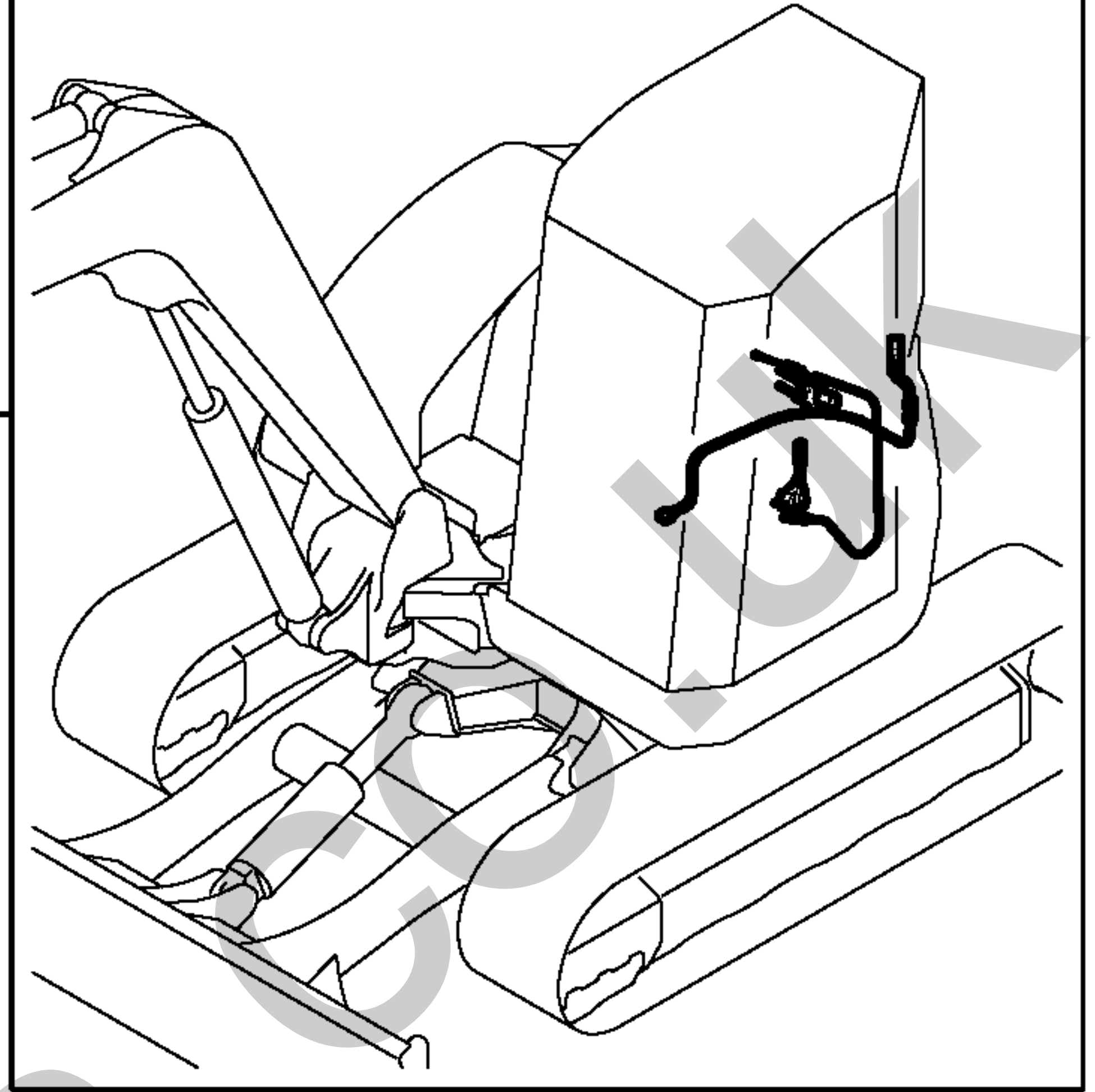




1,1,,172478-08200,, "DECELERATION KIT",1,1,,,,,,,,,,,,,,,,,,,,,I

Silverhorn.CO.UK

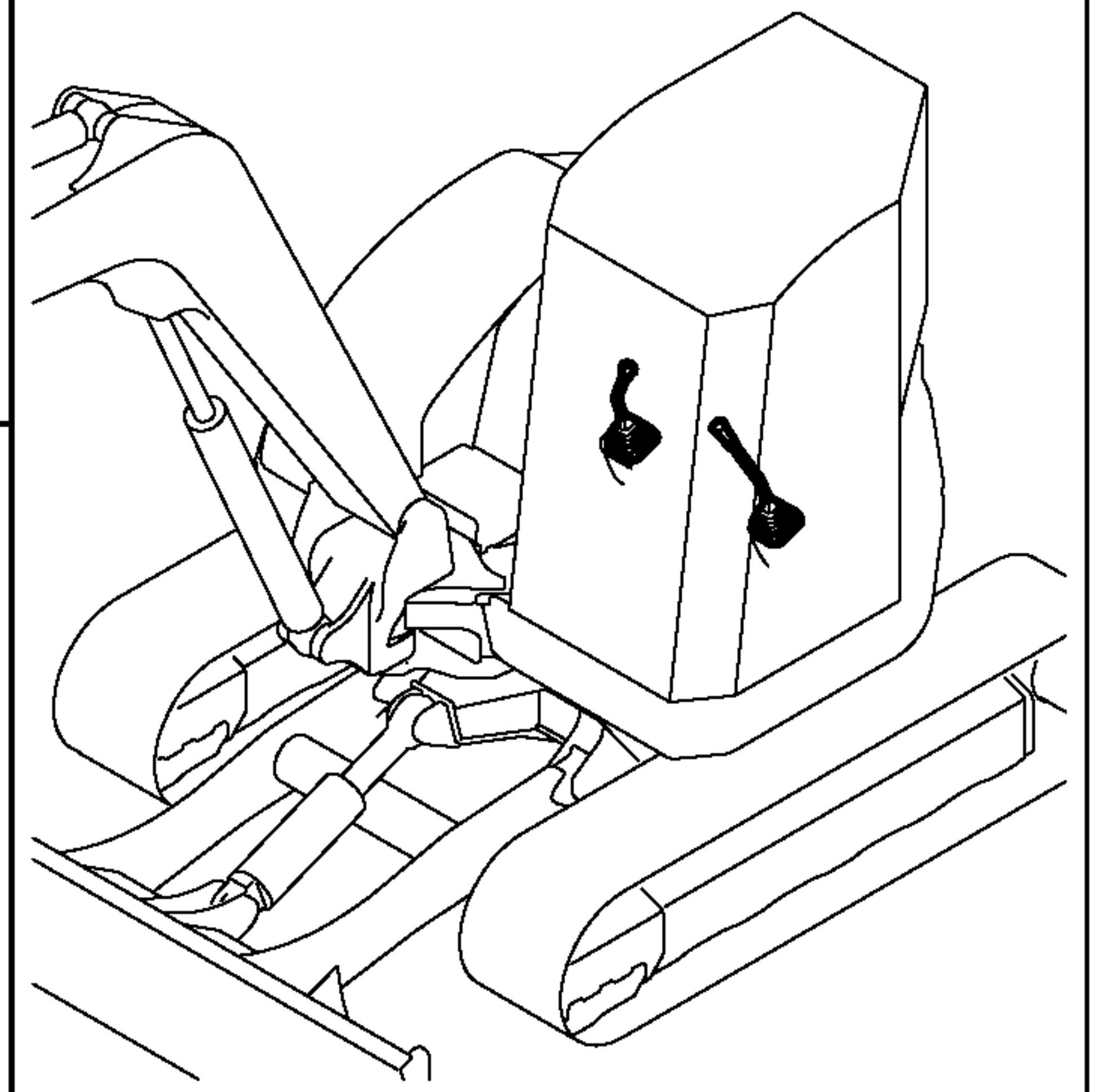
Fig. 15 アクセル(ワンタッチデセル仕様)  
ACCELERATOR  
(ONE TOUCH DECEL SPEC.)



1  
デセルキット  
DECEL KIT  
(172478-08200)

標準仕様のエンジンコントロールに  
ワンタッチデセル機能を追加する為の  
リンクとワイヤーの改装部品です。  
LINK & WIRE PARTS IN ORDER  
TO ADD ONE-TOUCH DECEL SYSTEM  
TO STANDARD SPEC. OF ENGINE  
CONTROL.

Fig. 42 操縦装置(作業バー)  
CONTROL EQUIPMENT  
(OPERATION LEVER)



1,1,,172478-08500,, "P.T.O. KIT",1,1,,,,,,,,,,,,,,,,,,,,,I

Silverhorn.CO.UK

Fig. 47 操縦装置 (PTO)  
CONTROL EQUIPMENT  
(P. T. O.)

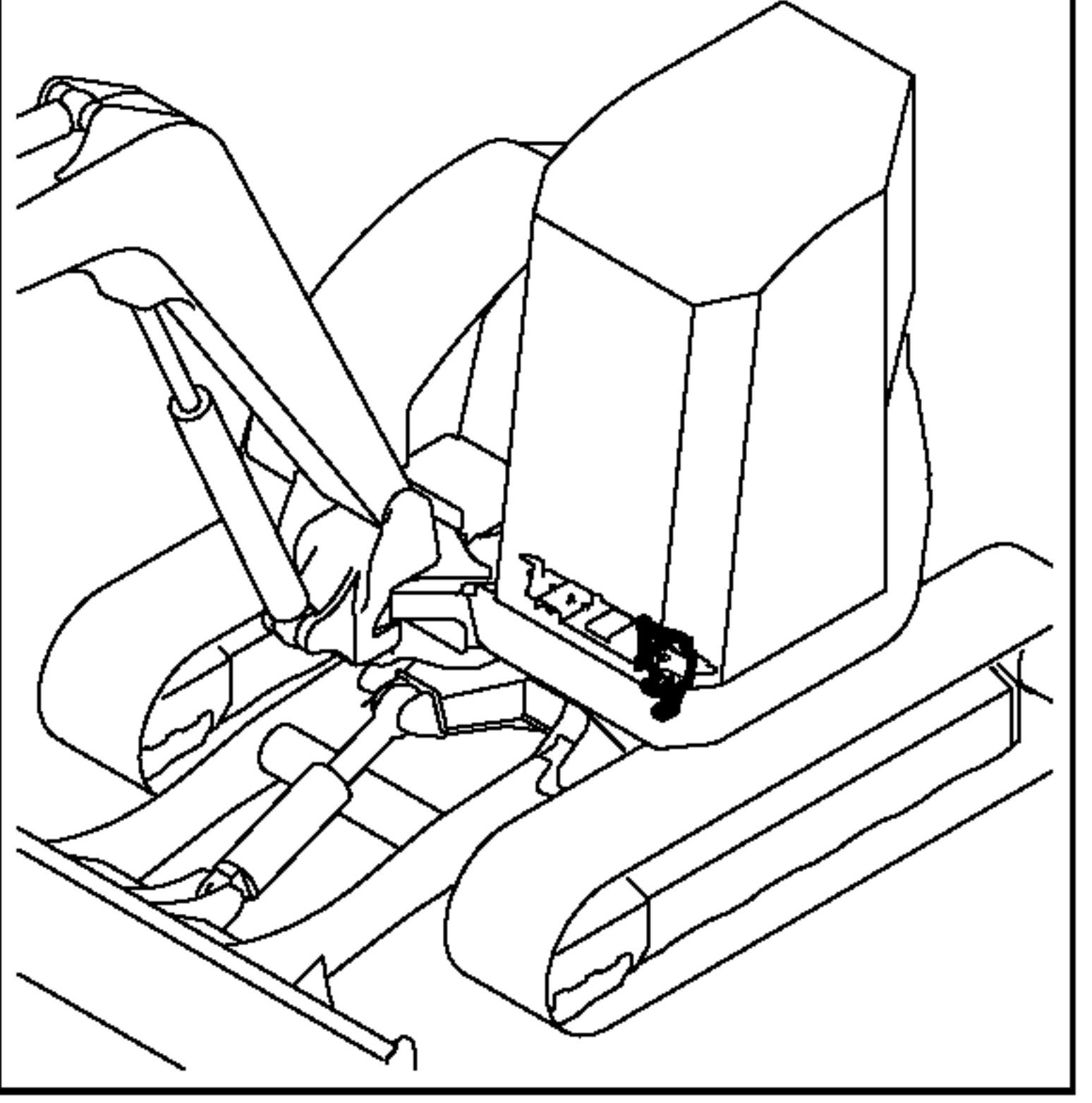


Fig. 103 油圧配管 (PTO; フレームエンド\*)  
HYD. OIL PIPING  
(P. T. O. ; FRAME END)

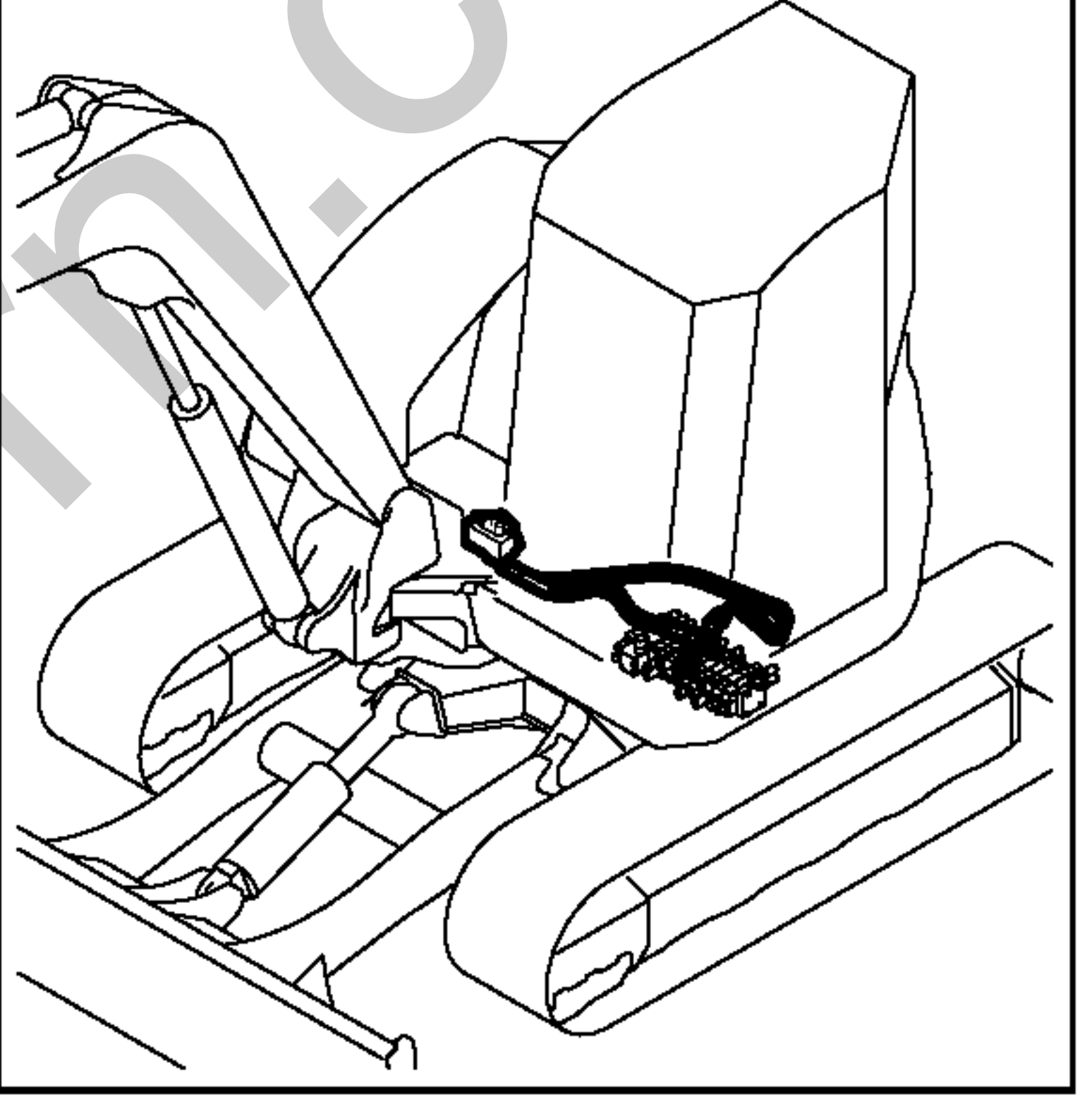
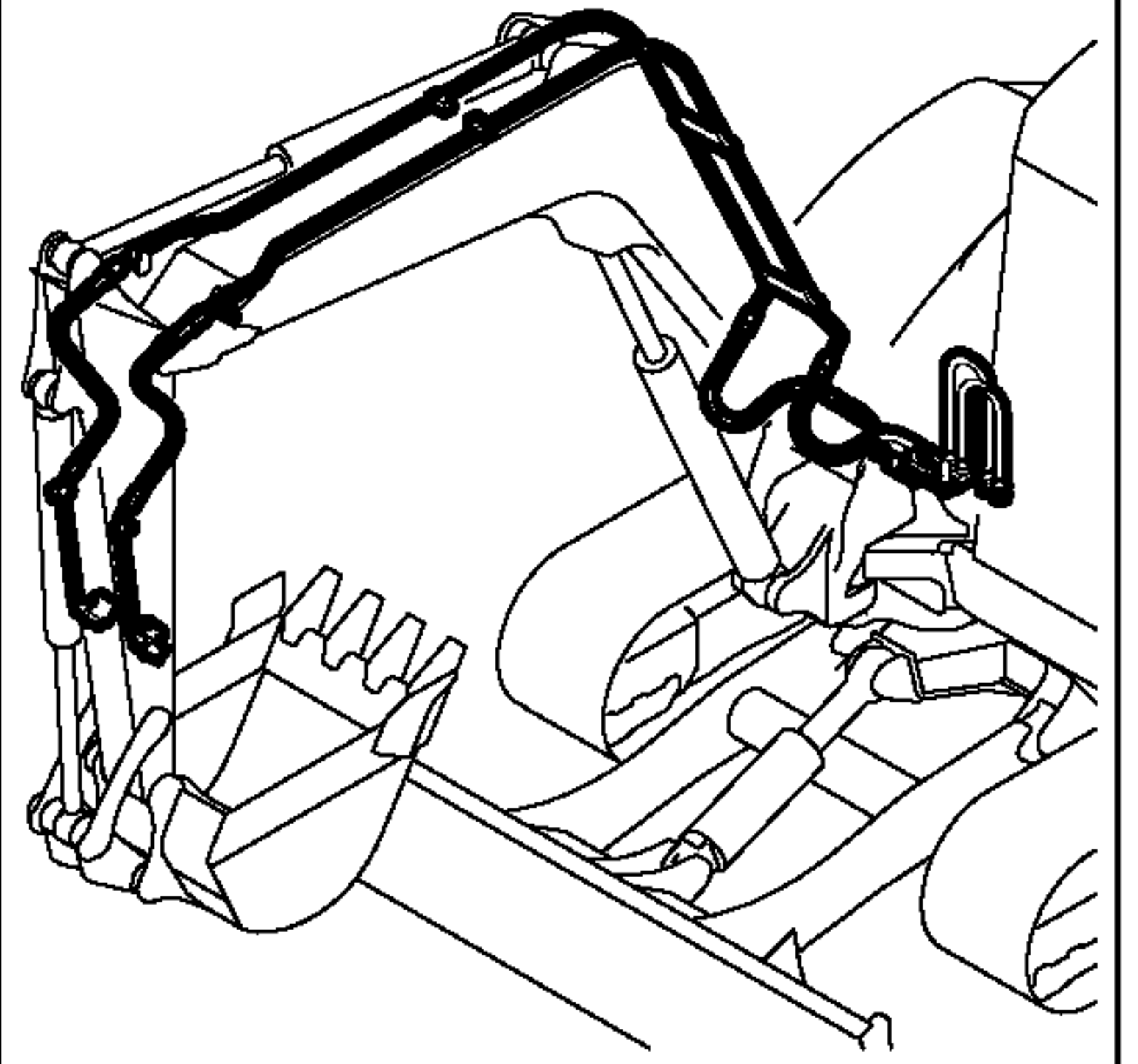


Fig. 107 油圧配管 (PTO; アームエンド\*)  
HYD. OIL PIPING  
(P. T. O. ; ARM END)



1

PTOキット  
P.T.O. KIT  
(172478-08500)

1,1,,172478-08510,, "4-WAY MULTI V.KIT",1,1,,,,,,,,,,,,,,,,,,,,,I  
44,1,,172478-08520,, "MULTI VALVE KIT (C)",1,1,,,,,,,,,,,,,,,,,,,,,I

Silverhorn.CO.UK

Fig. 89 4ウェイロータリバルブ  
4-WAY ROTARY VALVE

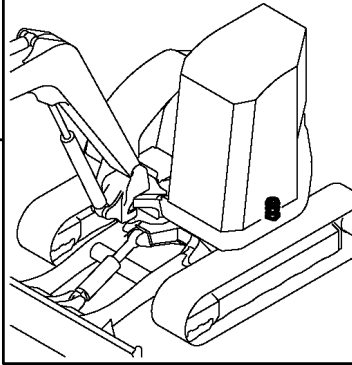


Fig. 112 コントロール配管  
(リモコンバルブ ~ 4ウェイバルブ)  
CONTROL PIPING (REMOTE  
CONTROL V. ~ 4-WAY V.)

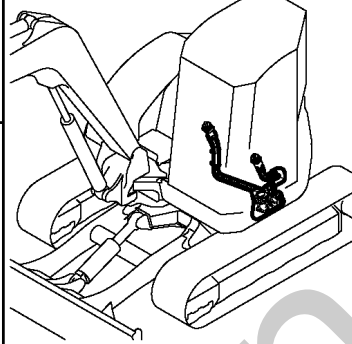
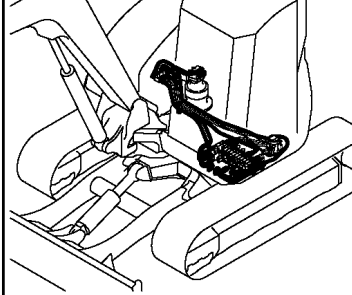


Fig. 113 コントロール配管 (4ウェイ  
バルブ ~ コントロールバルブ)  
CONTROL PIPING  
(4-WAY V. ~ CONTROL V.)



Fig. 114 コントロール配管 (4ウェイ  
バルブ ~ コントロールバルブ)  
(クレーン仕様)  
CONTROL PIPING  
(4-WAY V. ~ CONTROL V.)  
(CRANE SPEC.)



1  
4ウェイマルチバルブキット  
4-WAY MULTI VALVE KIT  
(172478-08510)

44

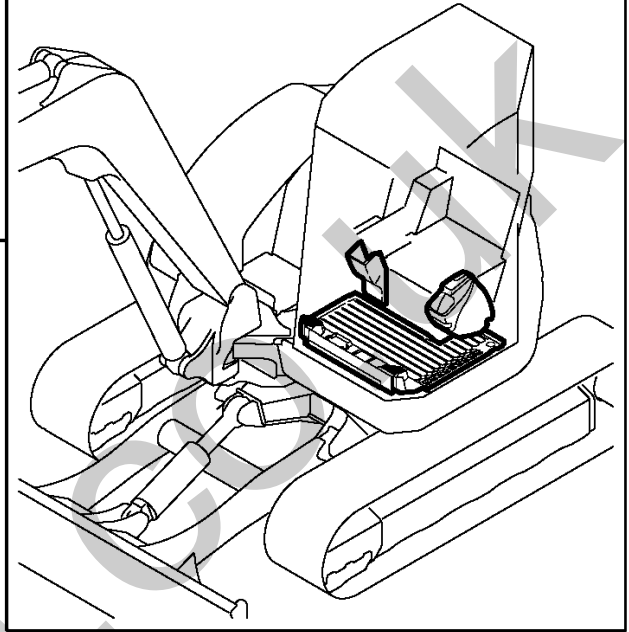
4ウェイマルチバルブキット  
(クレーン仕様)  
4-WAY MULTI VALVE KIT  
(CRANE SPEC.)  
(172478-08520)

標準操作パターン(JIS、ヤンマーパターン)をワンタッチで他社パターンに  
変換可能な切替えバルブ等を追加する為の部品です。  
CUTOFF VALVE PARTS, ETC. WHICH CAN CHANGE FROM  
STANDARD OPERATION PATTERN (JIS, YANMAR PATTERN)  
TO ANOTHER CORPORATION PATTERN PROMPTLY.

1,1,,172458-08520,, "2-WAY MULTIVALVE KIT",1,1,,,,,,,,,,,,,,,,,,,,,I

Silverhorn.CO.UK

Fig. 53 ステップ & インパネ  
STEP & INSTRUMENT PANEL

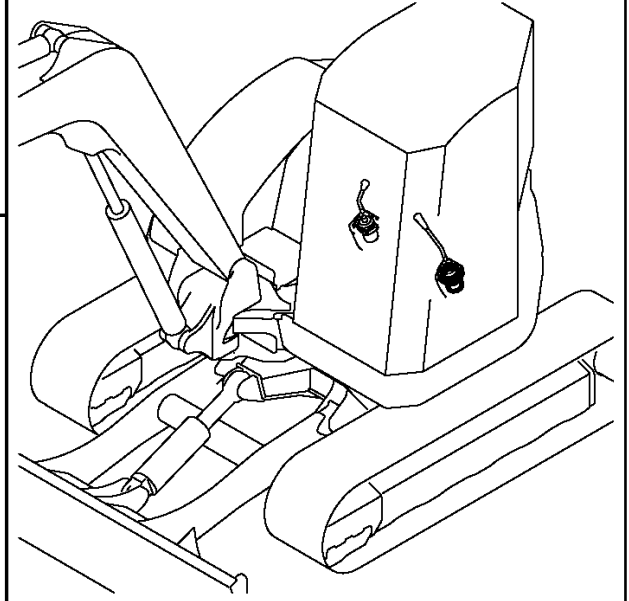


1

2ウェイマルチバルブキット  
2-WAY MULTI VALVE KIT  
(172478-08520)

標準操作パターン (JIS、ヤンマーパターン)  
ワンタッチで小松パターンに変換可能なリモ  
コンバルブ等で交換する為の部品です  
REMOTE CONTROL VALVE PARTS, ETC.  
WITCH CAN CHANGE FROM STANDARD  
OPERATION PATTERN (JIS, YANMAER PATTERN)  
TO KOMATSU PATTERN PROMPTLY.

Fig. 88 リモコンバルブ  
(2ウェイ仕様)  
REMOTE CONTROL VALVE  
(2-WAY SPEC.)





1,1,,172478-08550,, "CRANE KIT, CABIN",1,,,,,,,,,,,,,  
1-1,1,,172478-08551,, "CRANE KIT, CABIN",1,,,,,S,,24780160,\*2003.06,,,,,,,,,I  
2,1,,172478-08560,, "CRANE KIT, CANOPY",1,,,,,,,,,,,,,  
2-1,1,,172478-08561,, "CRANE KIT, CANOPY",1,,,,,S,,,,24780160,\*2003.06,,,,,,,,,I

Silverhorn.CO.UK

	Fig. 4	銘版(クレーン仕様) LABEL (CRANE SPEC.)	
	Fig. 24	電装品(ワイヤリング:クレーン仕様) ELECTRIC PART (WIRING:CRANE SPEC.)	
	Fig. 27	電装品(クレーン仕様:1) ELECTRIC PART (CRANE SPEC.:1)	
	Fig. 28	電装品(クレーン仕様:2) ELECTRIC PART (CRANE SPEC.:2)	
	Fig. 51	カバー(操縦廻り:1) COVER (AROUND THE CONTROL:2)	
	Fig. 54	シート & シートマウント SEAT & SEAT MOUNT	
	Fig. 70	ブームシリンダ BOOM CYLINDER	
	Fig. 71	アームシリンダ ARM CYLINDER	
	Fig. 90	ソレノイドバルブ(クレーン専用) SOLENOID VALVE (CRANE)	
	Fig. 91	ホールドバルブ(ブーム:クレーン専用) HOLD VALVE (BOOM:CRANE)	
	Fig. 92	ホールドバルブ(アーム:クレーン専用) HOLD VALVE (ARM:CRANE)	
	Fig. 97	油圧配管(コントロールバルブ ~ モータ, 旋回モータ, ブーム)(クレーン仕様) HYD. OIL PIPING (CONTROL V. ~ TURNING MOTOR, BOOM) (CRANE SPEC.)	
1	Fig. 100	油圧配管(リターン:作動油タンク)(クレーン仕様) HYD. OIL PIPING (RETURN:HYD. OIL TANK) (CRANE SPEC.)	2
クレーンキット (キャビン) CRANE KIT (CABIN) (172478-08550) ∴(172478-08551)	Fig. 102	油圧配管(リターン:ポンプ)(クレーン仕様) HYD. OIL PIPING (RETURN:PUMP) (CRANE SPEC.)	クレーンキット (キャノピー) CRANE KIT (CANOPY) (172478-08560) ∴(172478-08561)
	Fig. 106	油圧配管(ブーム:クレーン仕様) HYD. OIL PIPING (BOOM:CRANE SPEC.)	
	Fig. 107	油圧配管(PTO:アームエンド) HYD. OIL PIPING (PTO:ARM END)	
	Fig. 111	コントロール配管(リモコンV~コントロールV)(クレーン仕様) CONTROL PIPING (CONTROL V. ~ CONTROL V.) (CRANE SPEC.)	
	Fig. 114	コントロール配管(4ウェイV~コントロールV)(4ウェイクレーン仕様) CONTROL PIPING (4-WAY V. ~ CONTROL V.) (4-WAY CRANE SPEC.)	
	Fig. 115	コントロール配管(ホールドバルブ)(クレーン仕様) CONTROL PIPING (HOLD VALVE) (CRANE SPEC.)	
	Fig. 119	ブーム(クレーン仕様) BOOM (CRANE SPEC.)	
	Fig. 122	アーム(クレーン仕様) ARM (CRANE SPEC.)	
	Fig. 125	バケットアーム & リンク(クレーン仕様) BUCKET ARM & LINK (CRANE SPEC.)	
	Fig. 128	フック(クレーン専用) HOOK (EXCLUSIVE USE OF THE CRANE)	

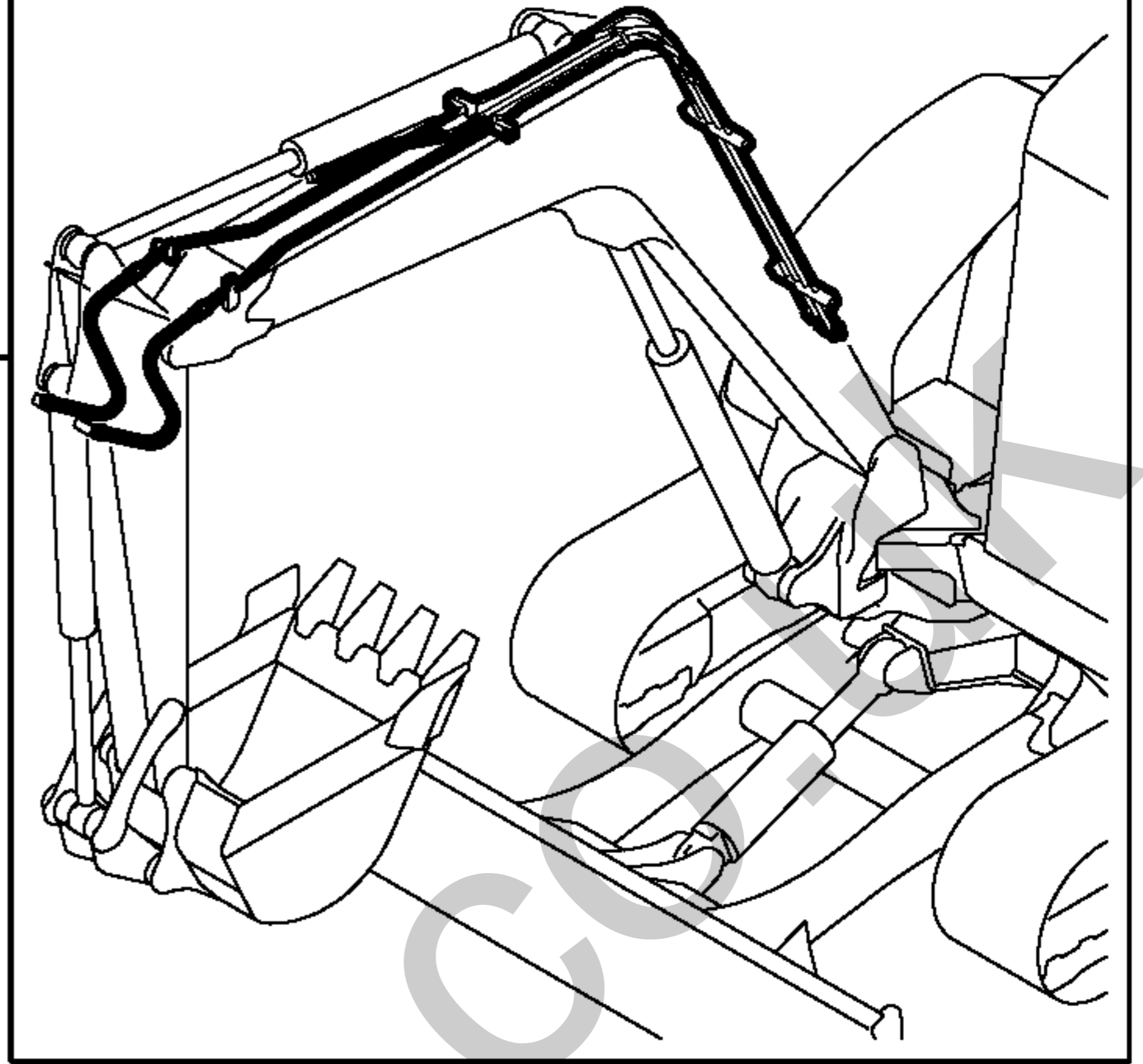
∴印が今回変更(追記)した箇所です。

∴.MARKED PART HAS BEEN CHANGED (ADDED).

1,1,,172187-08700,, "LONG ARM KIT",1,1,,,,,,,,,,,,,,,,,,,,,I

Silverhorn.CO.UK

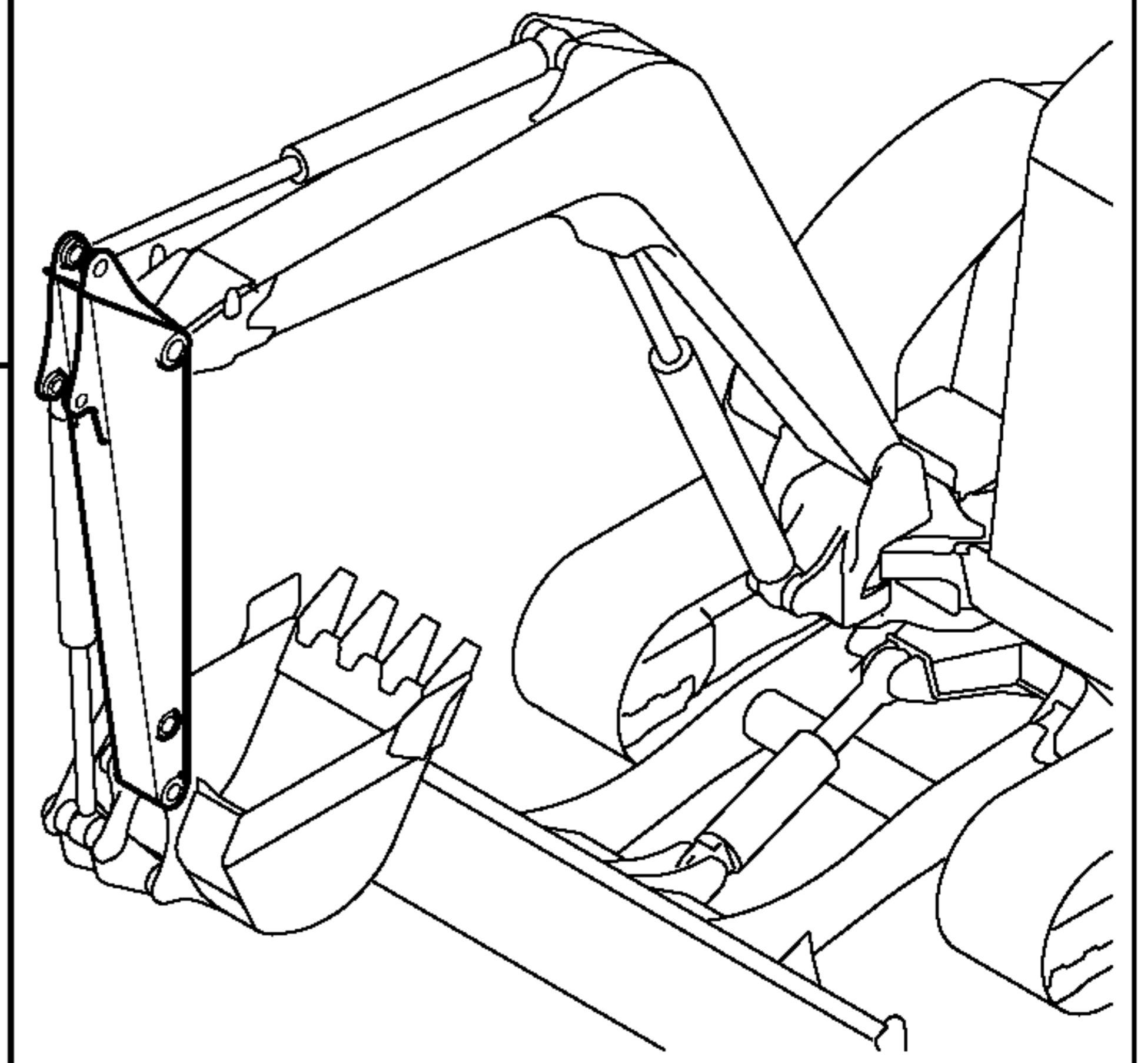
Fig. 105 油圧配管(ブーム)  
HYD. OIL PIPING (BOOM)



1

ロングアームキット  
LONG ARM KIT  
(172187-08700)

Fig. 121 アーム(ロングアーム仕様)  
ARM (LONG ARM SPEC.)



[ Info ]  
PcNo=Y00K3801  
PcName=VIO70-2(JP,EX)  
JpnUse=1  
JpnSec1=Ēš<@  
JpnSec2=fofbfNfz [ ]  
JpnSec3=VIO  
JpnPreface=1  
EngUse=1  
EngSec1=CONSTRUCTION  
EngSec2=EXCAVATOR (Vio)  
EngSec3=VIO  
EngPreface=1

Silverhorn.CO.UK

0,Y00K3801

1,001,, "VEHICLE VIO70-2"

2,1,, "LABEL(CABIN : JP)", "VIO70-2 C(JP)", "VIO70-2 P(JP)", "VIO70-2 C(EX)",  
2,2,, "LABEL(CABIN : EX)", "VIO70-2 C(JP)", "VIO70-2 P(JP)", "VIO70-2 C(EX)",  
2,3,, "LABEL(CANOPY : JP)", "VIO70-2 C(JP)", "VIO70-2 P(JP)", "VIO70-2 C(EX)",  
2,4,, "LABEL(CRANE SPEC.)", "VIO70-2 C(JP)", "VIO70-2 P(JP)", "VIO70-2 C(EX)",  
2,5,, "LABEL(QUICK HITCH SPEC.)", "VIO70-2 C(JP)", "VIO70-2 P(JP)", "VIO70-2 C(EX)",  
2,6,, "SAFETY LABEL(CABIN : JP)", "VIO70-2 C(JP)", "VIO70-2 P(JP)", "VIO70-2 C(EX)",  
2,7,, "SAFETY LABEL(CABIN : EX)", "VIO70-2 C(JP)", "VIO70-2 P(JP)", "VIO70-2 C(EX)",  
2,8,, "SAFETY LABEL(CANOPY : JP)", "VIO70-2 C(JP)", "VIO70-2 P(JP)", "VIO70-2 C(EX)",  
2,9,, "SAFETY LABEL(CRANE SPEC.)", "VIO70-2 C(JP)", "VIO70-2 P(JP)", "VIO70-2 C(EX)",  
2,10,, "SAFETY LABEL(QUICK HITCH)", "VIO70-2 C(JP)", "VIO70-2 P(JP)", "VIO70-2 C(EX)",  
2,11,, "ACCESSORY", "VIO70-2 C(JP)", "VIO70-2 P(JP)", "VIO70-2 C(EX)",  
2,12,, "MUFFLER", "VIO70-2 C(JP)", "VIO70-2 P(JP)", "VIO70-2 C(EX)",  
2,13,, "AIR CLEANER", "VIO70-2 C(JP)", "VIO70-2 P(JP)", "VIO70-2 C(EX)",  
2,14,, "ACCELERATOR LEVER", "VIO70-2 C(JP)", "VIO70-2 P(JP)", "VIO70-2 C(EX)",  
2,15,, "ACCELERATOR(ONE-TOUCH DECEL)", "VIO70-2 C(JP)", "VIO70-2 P(JP)", "VIO70-2  
C(EX)",  
2,16,, "ENGINE MOUNT", "VIO70-2 C(JP)", "VIO70-2 P(JP)", "VIO70-2 C(EX)",  
2,17,, "RADIATOR & SUB-TANK", "VIO70-2 C(JP)", "VIO70-2 P(JP)", "VIO70-2 C(EX)",  
2,18,, "RADIATOR MOUNT", "VIO70-2 C(JP)", "VIO70-2 P(JP)", "VIO70-2 C(EX)",  
2,19,, "FUEL TANK", "VIO70-2 C(JP)", "VIO70-2 P(JP)", "VIO70-2 C(EX)",  
2,20,, "FUEL LINE", "VIO70-2 C(JP)", "VIO70-2 P(JP)", "VIO70-2 C(EX)",  
2,21,, "BATTERY", "VIO70-2 C(JP)", "VIO70-2 P(JP)", "VIO70-2 C(EX)",  
2,22,, "ELECTRIC PART(WIRING)", "VIO70-2 C(JP)", "VIO70-2 P(JP)", "VIO70-2 C(EX)",  
2,23,, "ELECTRIC PART(WIRING : AIR CONDITIONER SPEC.)", "VIO70-2 C(JP)", "VIO70-2  
P(JP)", "VIO70-2 C(EX)",  
2,24,, "ELECTRIC PART(WIRING : CRANE SPEC.)", "VIO70-2 C(JP)", "VIO70-2  
P(JP)", "VIO70-2 C(EX)",  
2,25,, "ELECTRIC PART(EQUIPMENT)", "VIO70-2 C(JP)", "VIO70-2 P(JP)", "VIO70-2 C(EX)",  
2,26,, "ELECTRIC PART(QUICK HITCH SPEC.)", "VIO70-2 C(JP)", "VIO70-2 P(JP)", "VIO70-2  
C(EX)",  
2,27,, "ELECTRIC PART(CRANE SPEC. : 1)", "VIO70-2 C(JP)", "VIO70-2 P(JP)", "VIO70-2  
C(EX)",  
2,28,, "ELECTRIC PART(CRANE SPEC. : 2)", "VIO70-2 C(JP)", "VIO70-2 P(JP)", "VIO70-2  
C(EX)",  
2,29,, "CANOPY LIGHT", "VIO70-2 C(JP)", "VIO70-2 P(JP)", "VIO70-2 C(EX)",  
2,30,, "TRAVEL ALARM", "VIO70-2 C(JP)", "VIO70-2 P(JP)", "VIO70-2 C(EX)",  
2,31,, "INDICATOR BOX", "VIO70-2 C(JP)", "VIO70-2 P(JP)", "VIO70-2 C(EX)",  
2,32,, "HEATER", "VIO70-2 C(JP)", "VIO70-2 P(JP)", "VIO70-2 C(EX)",  
2,33,, "HEATER(AIR CONDITIONER SPEC.)", "VIO70-2 C(JP)", "VIO70-2 P(JP)", "VIO70-2  
C(EX)",  
2,34,, "AIR CONDITIONER(ENGIN RELATED)", "VIO70-2 C(JP)", "VIO70-2 P(JP)", "VIO70-2  
C(EX)",  
2,35,, "AIR CONDITIONER(CONDENSER RELATED)", "VIO70-2 C(JP)", "VIO70-2 P(JP)", "VIO70-  
2 C(EX)",  
2,36,, "AIR CONDITIONER(CABIN RELATED)", "VIO70-2 C(JP)", "VIO70-2 P(JP)", "VIO70-2  
C(EX)",  
2,37,, "AIR CONDITIONER(PIPING)", "VIO70-2 C(JP)", "VIO70-2 P(JP)", "VIO70-2 C(EX)",  
2,38,, "SPROCKET & ROLLER", "VIO70-2 C(JP)", "VIO70-2 P(JP)", "VIO70-2 C(EX)",  
2,39,, "IDOLER & ADJUST", "VIO70-2 C(JP)", "VIO70-2 P(JP)", "VIO70-2 C(EX)",  
2,40,, "CRAWLER", "VIO70-2 C(JP)", "VIO70-2 P(JP)", "VIO70-2 C(EX)",  
2,41,, "CONTROL EQUIPMENT(LOCK LEVER & STAND)", "VIO70-2 C(JP)", "VIO70-2  
P(JP)", "VIO70-2 C(EX)",  
2,42,, "CONTROL EQUIPMENT(OPERATION LEVER)", "VIO70-2 C(JP)", "VIO70-2 P(JP)", "VIO70-  
2 C(EX)",  
2,43,, "CONTROL EQUIPMENT(TRAVEL LEVER)", "VIO70-2 C(JP)", "VIO70-2 P(JP)", "VIO70-2  
C(EX)",  
2,44,, "CONTROL EQUIPMENT(BLADE LEVER)", "VIO70-2 C(JP)", "VIO70-2 P(JP)", "VIO70-2  
C(EX)",  
2,45,, "CONTROL EQUIPMENT(SWING PEDAL)", "VIO70-2 C(JP)", "VIO70-2 P(JP)", "VIO70-2  
C(EX)",

2,46,, "CONTROL EQUIPMENT(LOW-HIGH PEDAL)", "VIO70-2 C(JP", "VIO70-2 P(JP", "VIO70-2 C(EX",  
2,47,, "CONTROL EQUIPMENT(P.T.O. PEDAL)", "VIO70-2 C(JP", "VIO70-2 P(JP", "VIO70-2 C(EX",  
2,48,, "CONTROL VALVE PLATE", "VIO70-2 C(JP", "VIO70-2 P(JP", "VIO70-2 C(EX",  
2,49,, "FRAME & TURNING BEARING", "VIO70-2 C(JP", "VIO70-2 P(JP", "VIO70-2 C(EX",  
2,50,, "COVER(FRAME)", "VIO70-2 C(JP", "VIO70-2 P(JP", "VIO70-2 C(EX",  
2,51,, "COVER(AROUND CONTROL : 1)", "VIO70-2 C(JP", "VIO70-2 P(JP", "VIO70-2 C(EX",  
2,52,, "COVER(AROUND CONTROL : 2)", "VIO70-2 C(JP", "VIO70-2 P(JP", "VIO70-2 C(EX",  
2,53,, "STEP & INSTRUMENT PANEL", "VIO70-2 C(JP", "VIO70-2 P(JP", "VIO70-2 C(EX",  
2,54,, "SEAT & SEAT MOUNT", "VIO70-2 C(JP", "VIO70-2 P(JP", "VIO70-2 C(EX",  
2,55,, "SEAT & SEAT MOUNT(AIR CONDITIONER SPEC.)", "VIO70-2 C(JP", "VIO70-2 P(JP", "VIO70-2 C(EX",  
2,56,, "BONNET(BODY)", "VIO70-2 C(JP", "VIO70-2 P(JP", "VIO70-2 C(EX",  
2,57,, "BONNET(UPPER COVER)", "VIO70-2 C(JP", "VIO70-2 P(JP", "VIO70-2 C(EX",  
2,58,, "BONNET(SIDE & REAR COVER)", "VIO70-2 C(JP", "VIO70-2 P(JP", "VIO70-2 C(EX",  
2,59,, "BONNET(FRONT)", "VIO70-2 C(JP", "VIO70-2 P(JP", "VIO70-2 C(EX",  
2,60,, "CABIN(BODY)", "VIO70-2 C(JP", "VIO70-2 P(JP", "VIO70-2 C(EX",  
2,61,, "CABIN(EXTERIOR)", "VIO70-2 C(JP", "VIO70-2 P(JP", "VIO70-2 C(EX",  
2,62,, "CABIN(ROOF PAD)", "VIO70-2 C(JP", "VIO70-2 P(JP", "VIO70-2 C(EX",  
2,63,, "CABIN(WINDOW)", "VIO70-2 C(JP", "VIO70-2 P(JP", "VIO70-2 C(EX",  
2,64,, "CABIN(ELECTRIC)", "VIO70-2 C(JP", "VIO70-2 P(JP", "VIO70-2 C(EX",  
2,65,, "CABIN(DOOR)", "VIO70-2 C(JP", "VIO70-2 P(JP", "VIO70-2 C(EX",  
2,66,, "CABIN(FRONT WINDOW)", "VIO70-2 C(JP", "VIO70-2 P(JP", "VIO70-2 C(EX",  
2,67,, "CANOPY", "VIO70-2 C(JP", "VIO70-2 P(JP", "VIO70-2 C(EX",  
2,68,, "HYD.OIL PUMP & JOINT", "VIO70-2 C(JP", "VIO70-2 P(JP", "VIO70-2 C(EX",  
2,69,, "HYD.OIL PUMP & JOINT(QUICK HITCH SPEC.)", "VIO70-2 C(JP", "VIO70-2 P(JP", "VIO70-2 C(EX",  
2,70,, "BOOM CYLINDER", "VIO70-2 C(JP", "VIO70-2 P(JP", "VIO70-2 C(EX",  
2,71,, "ARM CYLINDER", "VIO70-2 C(JP", "VIO70-2 P(JP", "VIO70-2 C(EX",  
2,72,, "ARM CYLINDER(QUICK HITCH SPEC.)", "VIO70-2 C(JP", "VIO70-2 P(JP", "VIO70-2 C(EX",  
2,73,, "BUCKET CYLINDER", "VIO70-2 C(JP", "VIO70-2 P(JP", "VIO70-2 C(EX",  
2,74,, "BUCKET CYLINDER(QUICK HITCH SPEC.)", "VIO70-2 C(JP", "VIO70-2 P(JP", "VIO70-2 C(EX",  
2,75,, "SWING CYLINDER", "VIO70-2 C(JP", "VIO70-2 P(JP", "VIO70-2 C(EX",  
2,76,, "BLADE CYLINDER", "VIO70-2 C(JP", "VIO70-2 P(JP", "VIO70-2 C(EX",  
2,77,, "HITCH CYLINDER(QUICK HITCH SPEC.)", "VIO70-2 C(JP", "VIO70-2 P(JP", "VIO70-2 C(EX",  
2,78,, "TRAVEL MOTOR", "VIO70-2 C(JP", "VIO70-2 P(JP", "VIO70-2 C(EX",  
2,79,, "TURNING MOTOR", "VIO70-2 C(JP", "VIO70-2 P(JP", "VIO70-2 C(EX",  
2,80,, "SWIVEL JOINT", "VIO70-2 C(JP", "VIO70-2 P(JP", "VIO70-2 C(EX",  
2,81,, "CONTROL VALVE(1/6)", "VIO70-2 C(JP", "VIO70-2 P(JP", "VIO70-2 C(EX",  
2,82,, "CONTROL VALVE(2/6)", "VIO70-2 C(JP", "VIO70-2 P(JP", "VIO70-2 C(EX",  
2,83,, "CONTROL VALVE(3/6)", "VIO70-2 C(JP", "VIO70-2 P(JP", "VIO70-2 C(EX",  
2,84,, "CONTROL VALVE(4/6)", "VIO70-2 C(JP", "VIO70-2 P(JP", "VIO70-2 C(EX",  
2,85,, "CONTROL VALVE(5/6)", "VIO70-2 C(JP", "VIO70-2 P(JP", "VIO70-2 C(EX",  
2,86,, "CONTROL VALVE(6/6)", "VIO70-2 C(JP", "VIO70-2 P(JP", "VIO70-2 C(EX",  
2,87,, "REMORT CONTROL VALVE", "VIO70-2 C(JP", "VIO70-2 P(JP", "VIO70-2 C(EX",  
2,88,, "REMORT CONTROL VALVE(2-WAY SPEC.)", "VIO70-2 C(JP", "VIO70-2 P(JP", "VIO70-2 C(EX",  
2,89,, "4-WAY ROTARY VALVE", "VIO70-2 C(JP", "VIO70-2 P(JP", "VIO70-2 C(EX",  
2,90,, "SORENOID VALVE(CRANE SPEC.)", "VIO70-2 C(JP", "VIO70-2 P(JP", "VIO70-2 C(EX",  
2,91,, "HOLD VALVE(BOOM : CRANE SPEC.)", "VIO70-2 C(JP", "VIO70-2 P(JP", "VIO70-2 C(EX",  
2,92,, "HOLD VALVE(ARM : CRANE SPEC.)", "VIO70-2 C(JP", "VIO70-2 P(JP", "VIO70-2 C(EX",  
2,93,, "LUB.OIL COOLER", "VIO70-2 C(JP", "VIO70-2 P(JP", "VIO70-2 C(EX",  
2,94,, "HYD.OIL TANK", "VIO70-2 C(JP", "VIO70-2 P(JP", "VIO70-2 C(EX",  
2,95,, "HYD.OIL PIPING(TANK - PUMP - CONTROL VALVE)", "VIO70-2 C(JP", "VIO70-2 P(JP", "VIO70-2 C(EX",

2,96,, "HYD.OIL PIPING(CONTROL VALVE - TURNING MOTOR , BOOM)", "VIO70-2  
C(JP", "VIO70-2 P(JP", "VIO70-2 C(EX",  
2,97,, "HYD.OIL PIPING(CONTROL VALVE - TURNING MOTOR , BOOM)(CRANE  
SPEC.)", "VIO70-2 C(JP", "VIO70-2 P(JP", "VIO70-2 C(EX",  
2,98,, "HYD.OIL PIPING(PUMP , CONTROL VALVE - SWIVEL , SWING)", "VIO70-2  
C(JP", "VIO70-2 P(JP", "VIO70-2 C(EX",  
2,99,, "HYD.OIL PIPING(RETURN : 1)", "VIO70-2 C(JP", "VIO70-2 P(JP", "VIO70-2 C(EX",  
2,100,, "HYD.OIL PIPING(RETURN : 1)(CRANE SPEC.)", "VIO70-2 C(JP", "VIO70-2  
P(JP", "VIO70-2 C(EX",  
2,101,, "HYD.OIL PIPING(RETURN : 2)", "VIO70-2 C(JP", "VIO70-2 P(JP", "VIO70-2  
C(EX",  
2,102,, "HYD.OIL PIPING(RETURN : 2)(CRANE SPEC.)", "VIO70-2 C(JP", "VIO70-2  
P(JP", "VIO70-2 C(EX",  
2,103,, "HYD.OIL PIPING(P.T.O. : FRAME END)", "VIO70-2 C(JP", "VIO70-2  
P(JP", "VIO70-2 C(EX",  
2,104,, "HYD.OIL PIPING(TRACK FRAME)", "VIO70-2 C(JP", "VIO70-2 P(JP", "VIO70-2  
C(EX",  
2,105,, "HYD.OIL PIPING(BOOM)", "VIO70-2 C(JP", "VIO70-2 P(JP", "VIO70-2 C(EX",  
2,106,, "HYD.OIL PIPING(BOOM : CRANE SPEC.)", "VIO70-2 C(JP", "VIO70-2  
P(JP", "VIO70-2 C(EX",  
2,107,, "HYD.OIL PIPING(P.T.O. : ARM END)", "VIO70-2 C(JP", "VIO70-2 P(JP", "VIO70-2  
C(EX",  
2,108,, "HYD.OIL PIPING(QUICK HITCH)", "VIO70-2 C(JP", "VIO70-2 P(JP", "VIO70-2  
C(EX",  
2,109,, "CONTROL PIPING(RETURN)", "VIO70-2 C(JP", "VIO70-2 P(JP", "VIO70-2 C(EX",  
2,110,, "CONTROL PIPING(REMOTE CONTROL V. - CONTROL V.)", "VIO70-2 C(JP", "VIO70-2  
P(JP", "VIO70-2 C(EX",  
2,111,, "CONTROL PIPING(REMOTE CONTROL V. - CONTROL V.)(CRANE SPEC.)", "VIO70-2  
C(JP", "VIO70-2 P(JP", "VIO70-2 C(EX",  
2,112,, "CONTROL PIPING(REMOTE CONTROL V. - 4-WAY V.)", "VIO70-2 C(JP", "VIO70-2  
P(JP", "VIO70-2 C(EX",  
2,113,, "CONTROL PIPING(4-WAY V. - CONTROL V.)", "VIO70-2 C(JP", "VIO70-2  
P(JP", "VIO70-2 C(EX",  
2,114,, "CONTROL PIPING(4-WAY V. - CONTROL V.)(CRANE SPEC.)", "VIO70-2  
C(JP", "VIO70-2 P(JP", "VIO70-2 C(EX",  
2,115,, "CONTROL PIPING(HOLD VALVE : CRANE SPEC.)", "VIO70-2 C(JP", "VIO70-2  
P(JP", "VIO70-2 C(EX",  
2,116,, GREASING, "VIO70-2 C(JP", "VIO70-2 P(JP", "VIO70-2 C(EX",  
2,117,, "BOOM BRACKET", "VIO70-2 C(JP", "VIO70-2 P(JP", "VIO70-2 C(EX",  
2,118,, BOOM, "VIO70-2 C(JP", "VIO70-2 P(JP", "VIO70-2 C(EX",  
2,119,, "BOOM(CRANE SPEC.)", "VIO70-2 C(JP", "VIO70-2 P(JP", "VIO70-2 C(EX",  
2,120,, ARM, "VIO70-2 C(JP", "VIO70-2 P(JP", "VIO70-2 C(EX",  
2,121,, "ARM(LONG ARM SPEC.)", "VIO70-2 C(JP", "VIO70-2 P(JP", "VIO70-2 C(EX",  
2,122,, "ARM(CRANE SPEC.)", "VIO70-2 C(JP", "VIO70-2 P(JP", "VIO70-2 C(EX",  
2,123,, "ARM(QUICK HITCH SPEC.)", "VIO70-2 C(JP", "VIO70-2 P(JP", "VIO70-2 C(EX",  
2,124,, "BUCKET ARM & LINK", "VIO70-2 C(JP", "VIO70-2 P(JP", "VIO70-2 C(EX",  
2,125,, "BUCKET ARM & LINK(CRANE SPEC.)", "VIO70-2 C(JP", "VIO70-2 P(JP", "VIO70-2  
C(EX",  
2,126,, "QUICK HITCH", "VIO70-2 C(JP", "VIO70-2 P(JP", "VIO70-2 C(EX",  
2,127,, BUCKET, "VIO70-2 C(JP", "VIO70-2 P(JP", "VIO70-2 C(EX",  
2,128,, "HOOK(USE EXCLUSIVITY FOR CRANE SPEC.)", "VIO70-2 C(JP", "VIO70-2  
P(JP", "VIO70-2 C(EX",  
2,129,, BLADE, "VIO70-2 C(JP", "VIO70-2 P(JP", "VIO70-2 C(EX",  
2,130,, "AIR CONDITIONER KIT(OPTIONAL)", "VIO70-2 C(JP", "VIO70-2 P(JP", "VIO70-2  
C(EX",  
2,131,, "HEATER KIT(OPTIONAL)", "VIO70-2 C(JP", "VIO70-2 P(JP", "VIO70-2 C(EX",  
2,132,, "ONE-TOUCH DECEL KIT(OPTIONAL)", "VIO70-2 C(JP", "VIO70-2 P(JP", "VIO70-2  
C(EX",  
2,133,, "P.T.O. KIT(OPTIONAL)", "VIO70-2 C(JP", "VIO70-2 P(JP", "VIO70-2 C(EX",  
2,134,, "4-WAY MULTI VALVE KIT(OPTION)", "VIO70-2 C(JP", "VIO70-2 P(JP", "VIO70-2  
C(EX",  
2,135,, "2-WAY MULTI VALVE KIT(OPTION)", "VIO70-2 C(JP", "VIO70-2 P(JP", "VIO70-2  
C(EX",



2,136,, "CRANE KIT(OPTIONAL)", "VIO70-2 C(JP)", "VIO70-2 P(JP)", "VIO70-2 C(EX)",  
2,137,, "LONG ARM KIT(OPTIONAL)", "VIO70-2 C(JP)", "VIO70-2 P(JP)", "VIO70-2 C(EX)",

Silverhorn.CO.UK